



US00D361450S

# United States Patent [19]

[11] Patent Number: **Des. 361,450**

**Weatherby**

[45] Date of Patent: **\*\* Aug. 22, 1995**

[54] **PLATE/BOWL HOLDER**

[76] Inventor: **Glenn D. Weatherby**, 733 Parkview Dr., Burleson, Tex. 76028

[\*\*] Term: **14 Years**

[21] Appl. No.: **17,742**

[22] Filed: **Jan. 21, 1994**

[52] U.S. Cl. .... **D6/466**

[58] Field of Search ..... D7/619, 701, 707, 708; D6/300, 449, 466, 467, 469, 310, 311; 211/41, 41.1; 248/176, 473

D. 276,961 1/1985 Kemper ..... D6/466  
 D. 291,628 9/1987 Poltere ..... D6/300 X  
 D. 324,300 3/1992 Yasuhara et al. .... D6/310 X  
 3,282,437 11/1966 Hansen ..... 211/41  
 4,957,263 9/1990 Leluan, Jr. .... 248/176 X

*Primary Examiner*—Alan P. Douglas  
*Assistant Examiner*—S. Snapp  
*Attorney, Agent, or Firm*—Robert A. Felsman

### [57] CLAIM

The ornamental design for a plate/bowl holder, as shown and described.

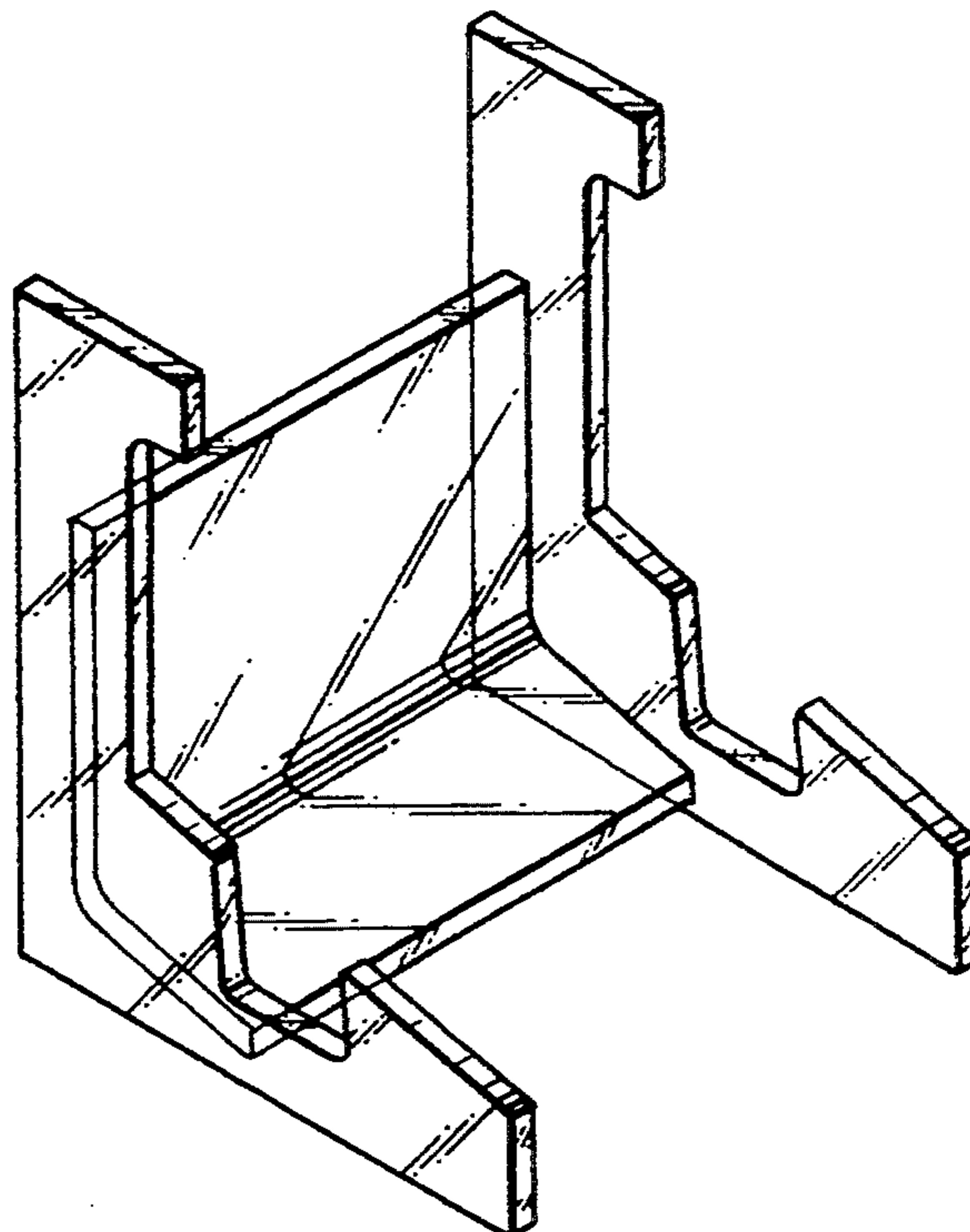
### [56] References Cited

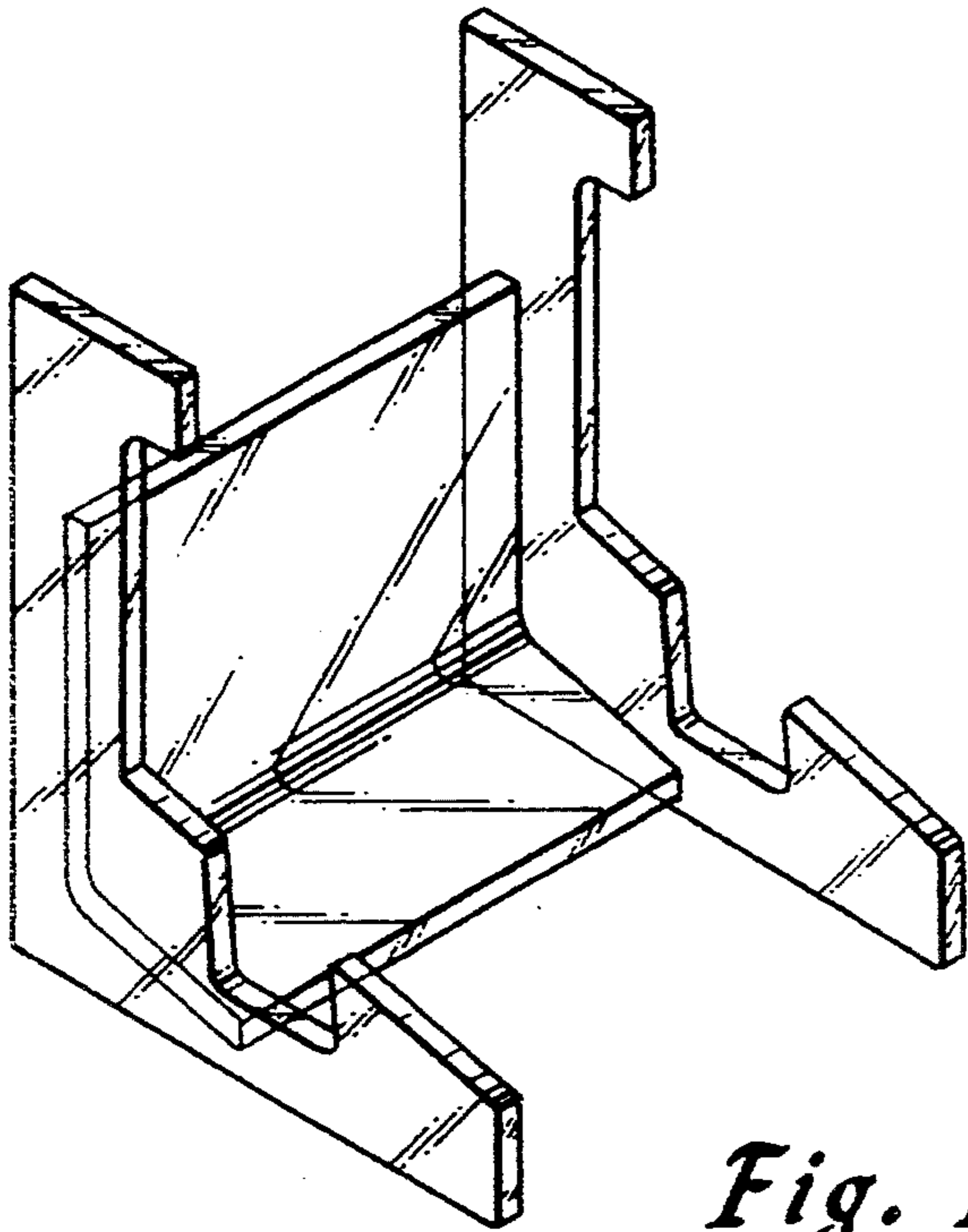
#### U.S. PATENT DOCUMENTS

D. 173,773 12/1954 Westernacher ..... D6/466  
 D. 173,776 12/1954 Westernacher ..... D6/310  
 D. 227,326 6/1973 Venuta ..... D6/310  
 D. 244,333 5/1977 Kiester ..... D6/310  
 D. 249,953 10/1978 Drake ..... D6/310 X  
 D. 274,682 7/1984 Segel ..... D6/310

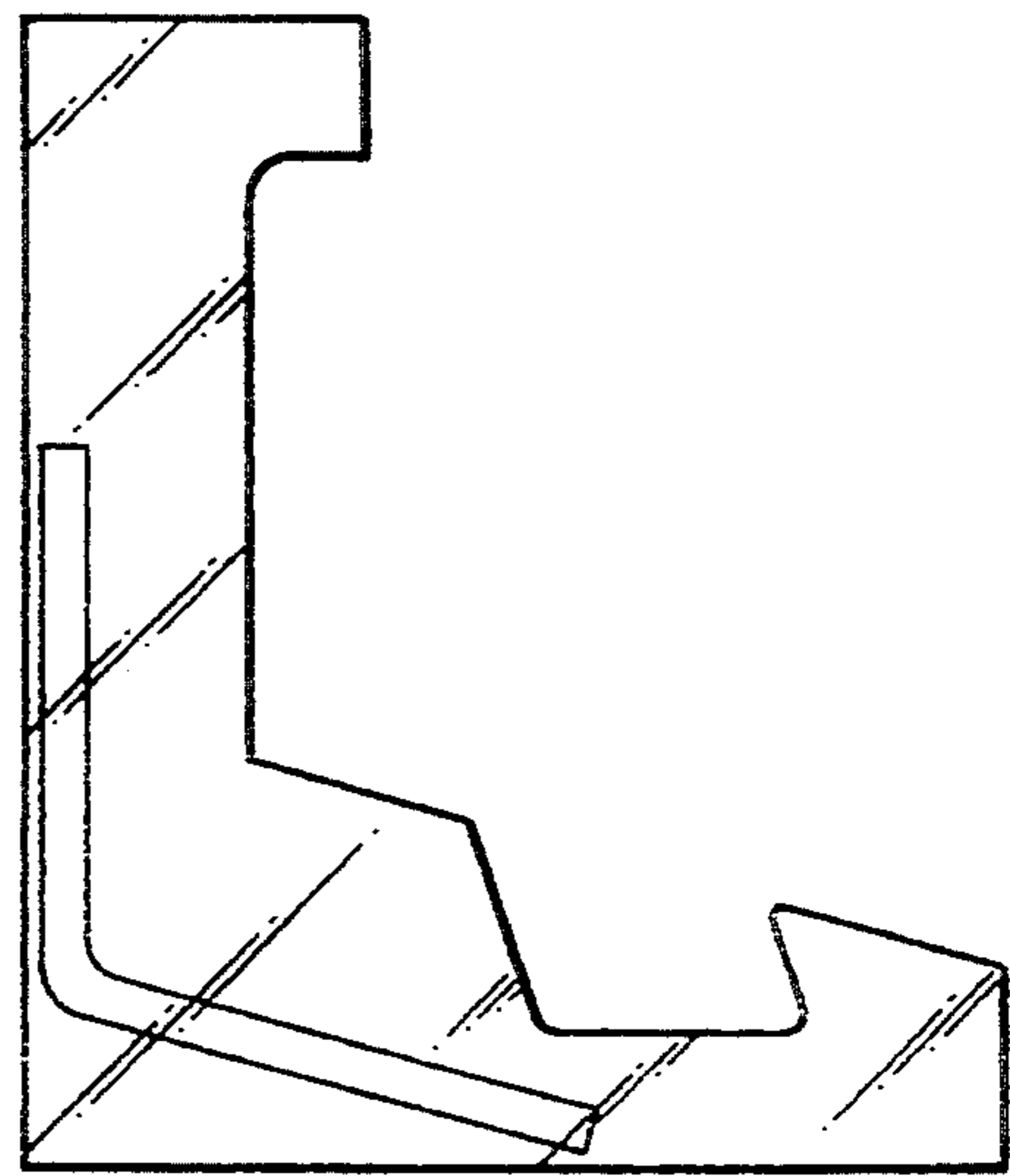
### DESCRIPTION

FIG. 1 is an isometric view of the plate/bowl holder showing my new design;  
 FIG. 2 is a side view thereof;  
 FIG. 3 is a front view thereof;  
 FIG. 4 is a rear view thereof;  
 FIG. 5 is a top view thereof; and,  
 FIG. 6 is a bottom view thereof.

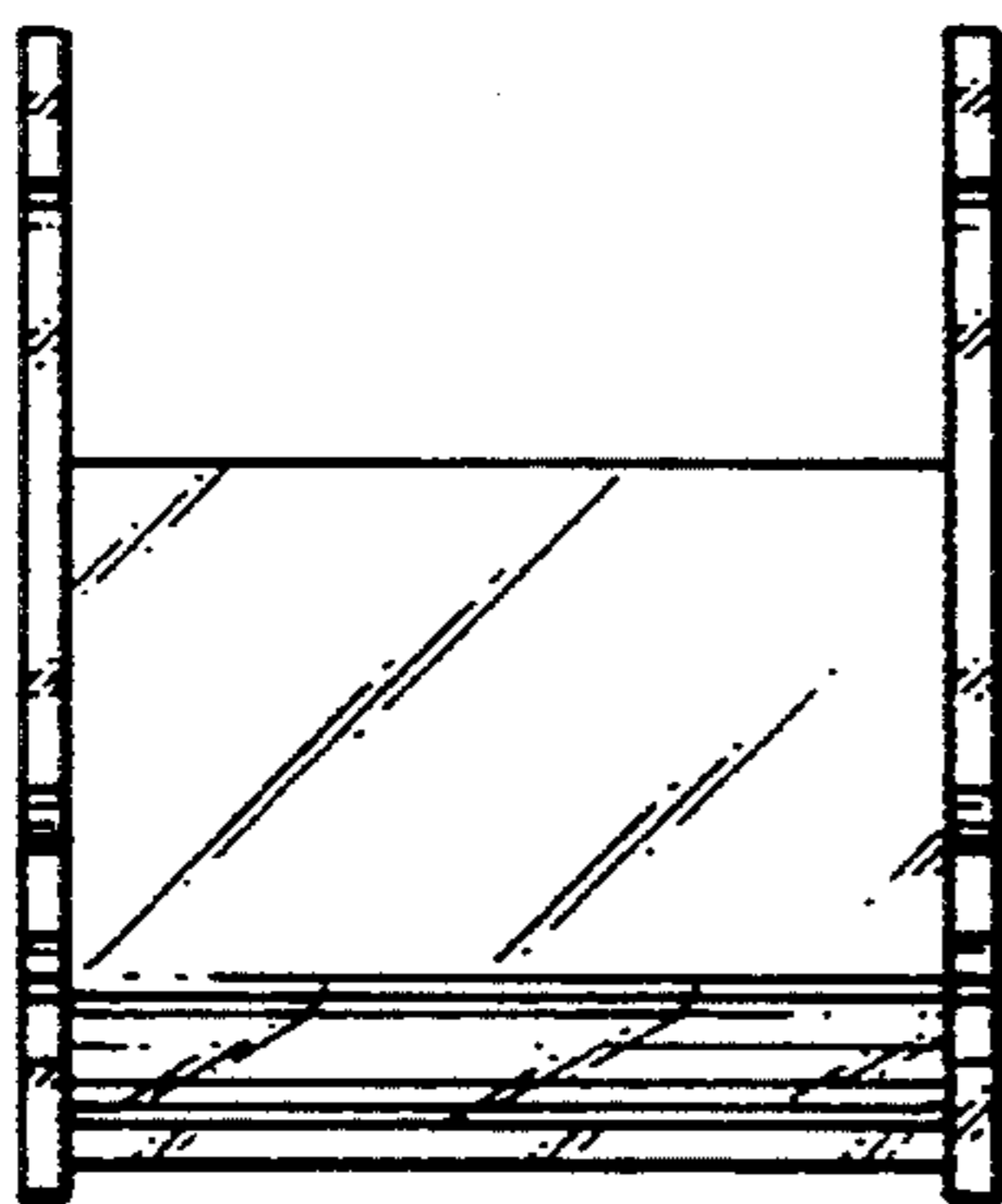




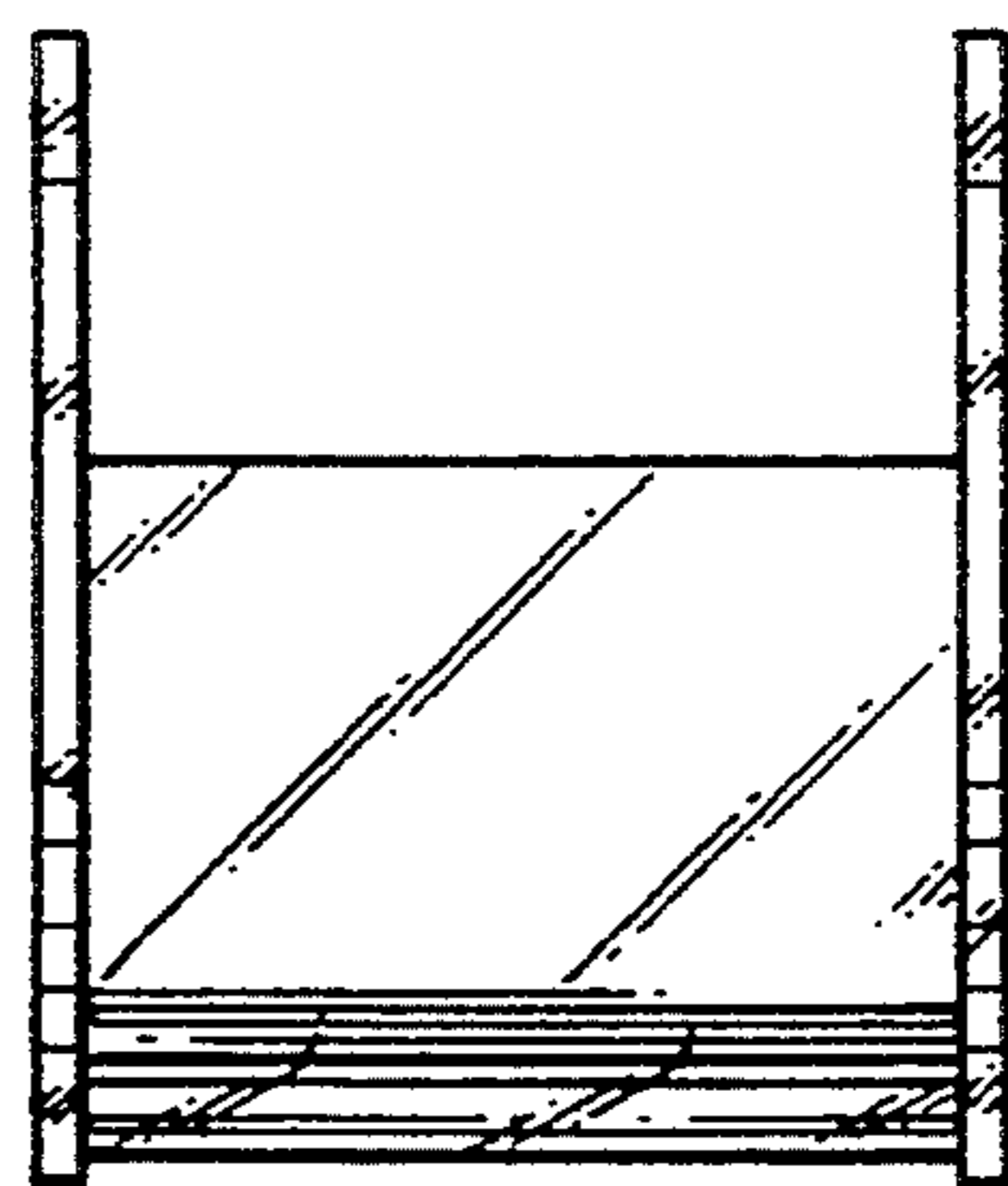
*Fig. 1*



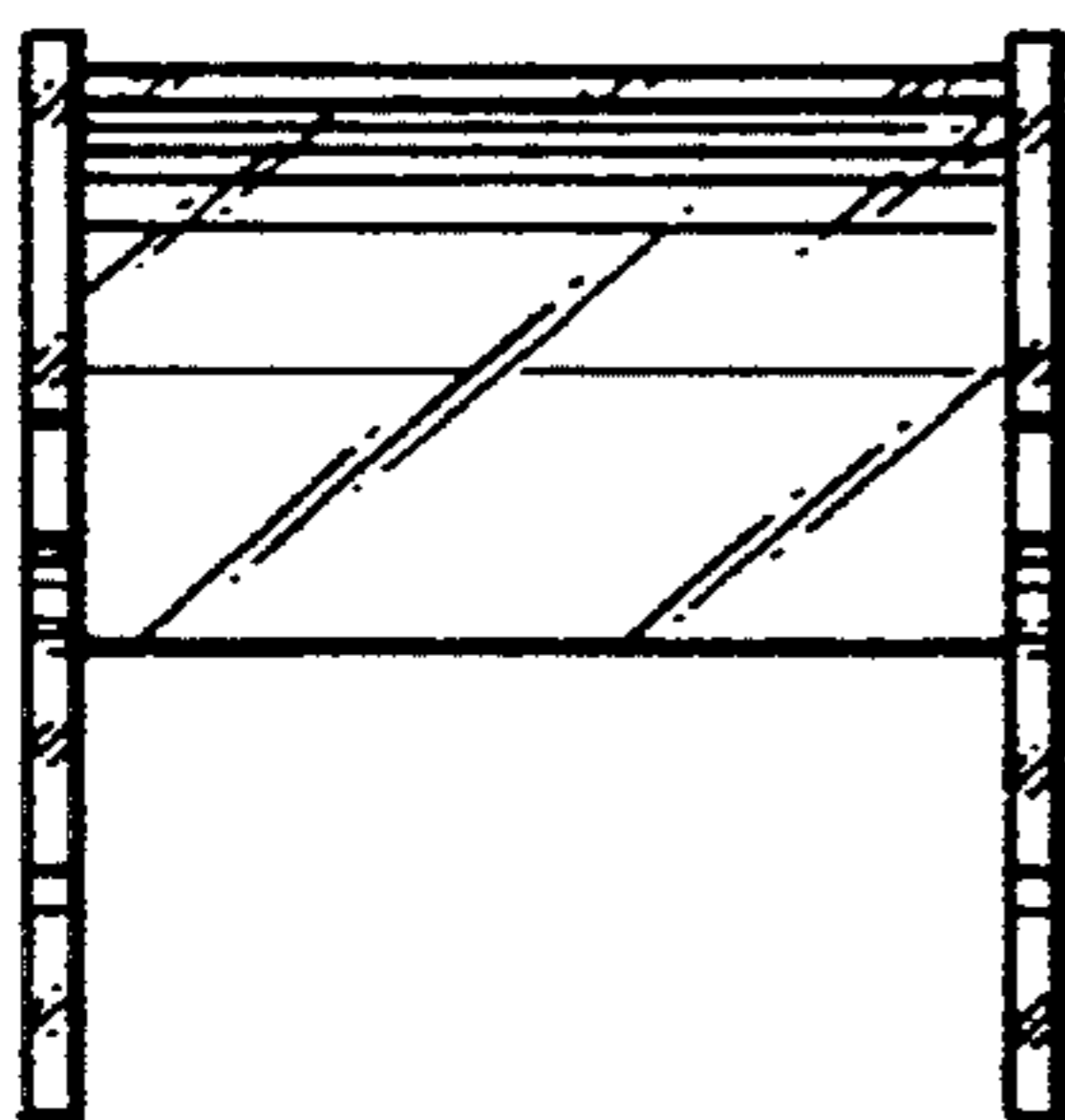
*Fig. 2*



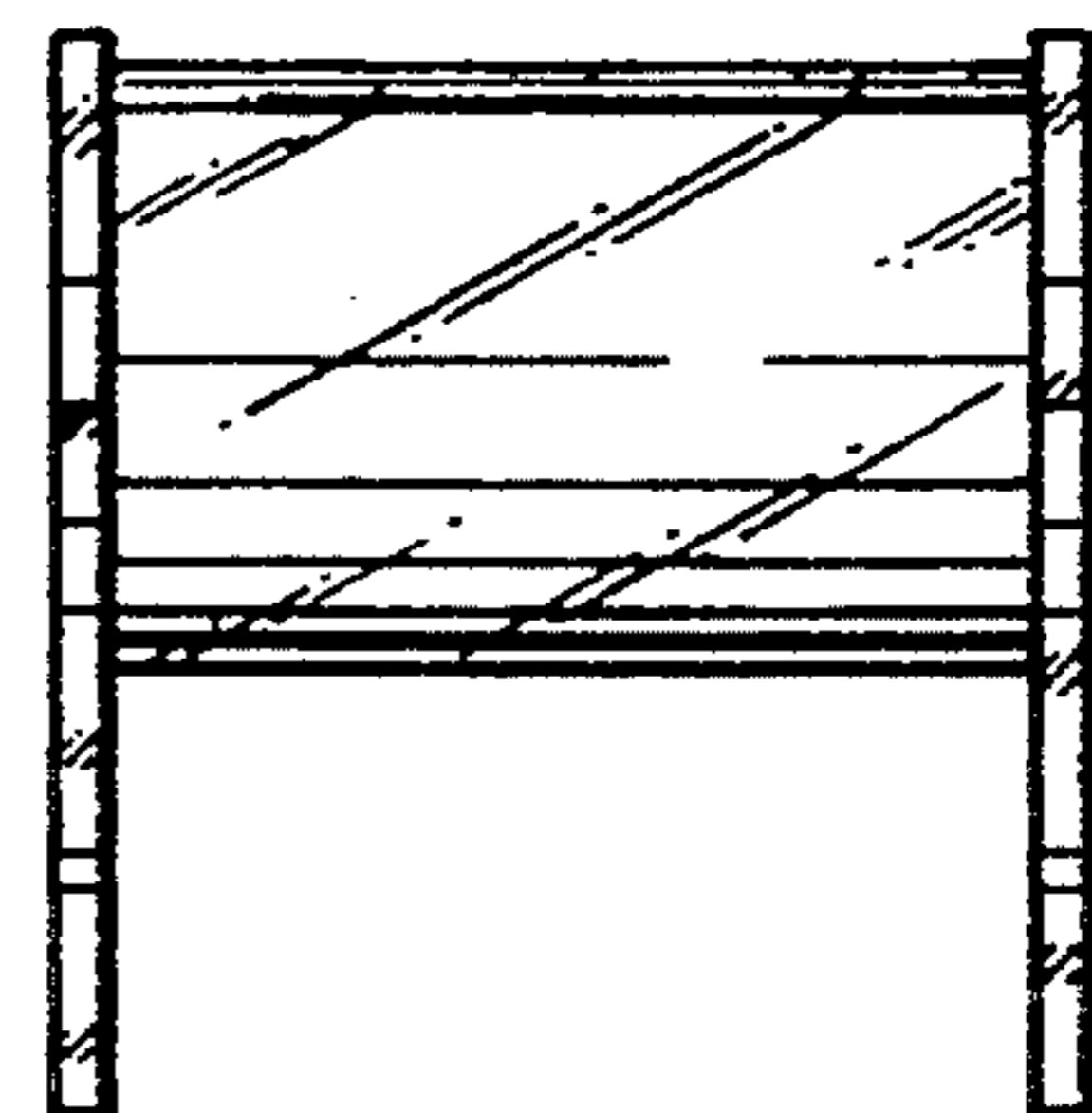
*Fig. 3*



*Fig. 4*



*Fig. 5*



*Fig. 6*