



US00D361443S

United States Patent [19]

Bohland

[11] Patent Number: **Des. 361,443**

[45] Date of Patent: **** Aug. 22, 1995**

[54] **PLANTER STAND**

[76] Inventor: **William Bohland**, 101 N. 72nd Ave., Pensacola, Fla. 32506

[**] Term: **14 Years**

[21] Appl. No.: **26,205**

[22] Filed: **Jul. 21, 1994**

[52] U.S. Cl. **D6/405**

[58] Field of Search D6/405, 403, 556, 458; D11/148, 154, 164; 47/39 C; 248/127, 146

[56] **References Cited**

U.S. PATENT DOCUMENTS

D. 184,002	12/1958	Canning	D6/405
D. 247,356	2/1978	Wright	D26/58 X
D. 334,855	4/1993	Harrington et al.	D6/458
4,757,641	7/1988	Penrod	D6/556 X

Primary Examiner—Alan P. Douglas
Assistant Examiner—Cathron B. Matta
Attorney, Agent, or Firm—George R. McGuire

[57] **CLAIM**

The ornamental design for planter stand, as shown and described.

DESCRIPTION

FIG. 1 is a perspective view of a planter stand having a rectangular base portion and a post member extending vertically upward therefrom;

FIG. 2 is a partial perspective view of an alternate embodiment of the planter stand of FIG. 1, in which the only difference is in the appearance of the uppermost ring-type planter supports;

FIG. 3 is a front elevational view of the planter stand of FIG. 1;

FIG. 4 is a top plan view of the planter stand of FIG. 1; and,

FIG. 5 is a perspective view of an alternate embodiment of the planter stand of FIG. 1, wherein the only difference is the lack of the rectangular base portion in the FIG. 5 embodiment, the additional embodiment showing, in phantom, a ring having lights and sprinklers disposed thereon and encircling the central post member and planters positioned on the support members.

The phantom showing of the ring have lights and sprinklers for illustrative purposes only and forms no part of the claimed design.

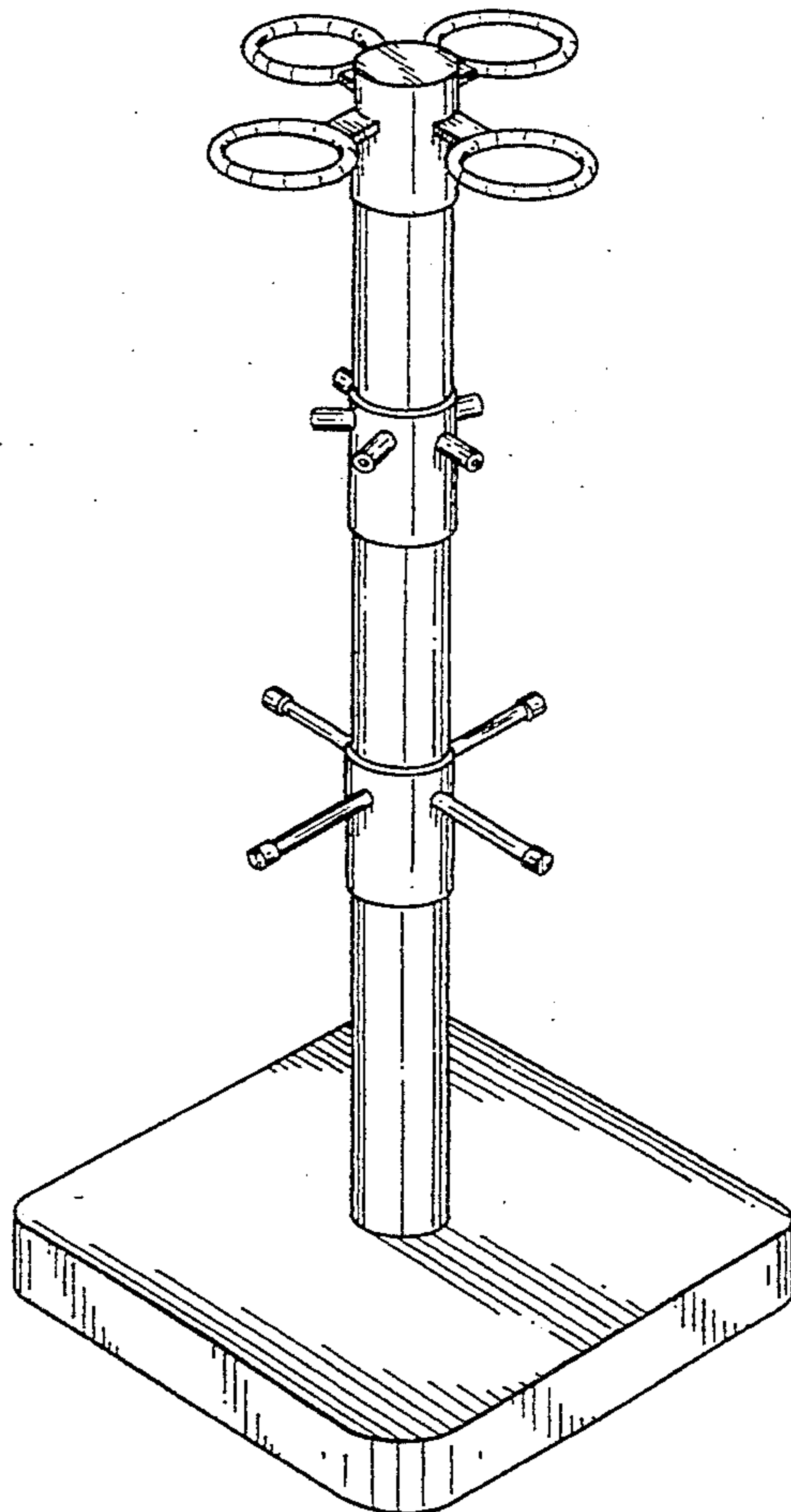


FIG-1

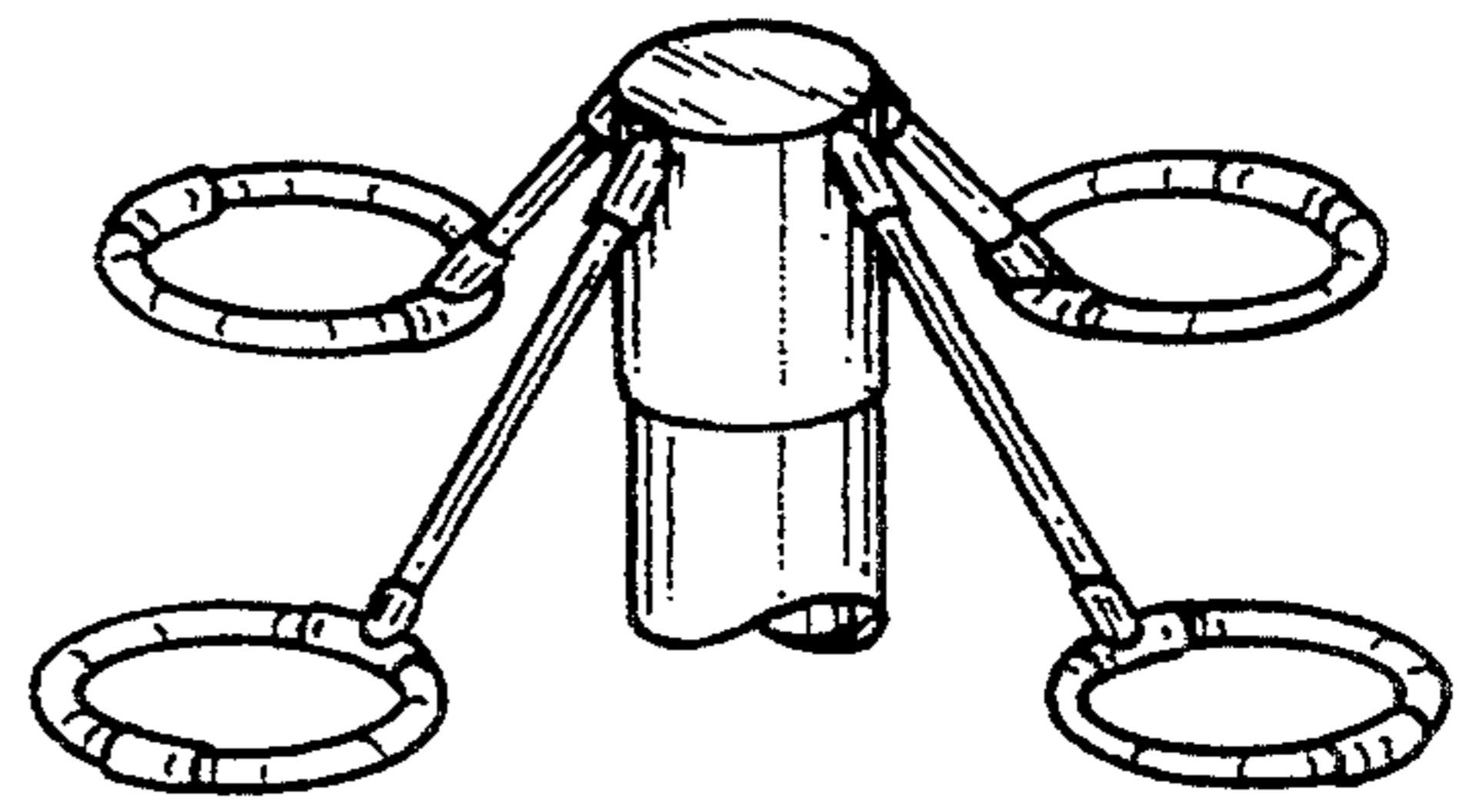
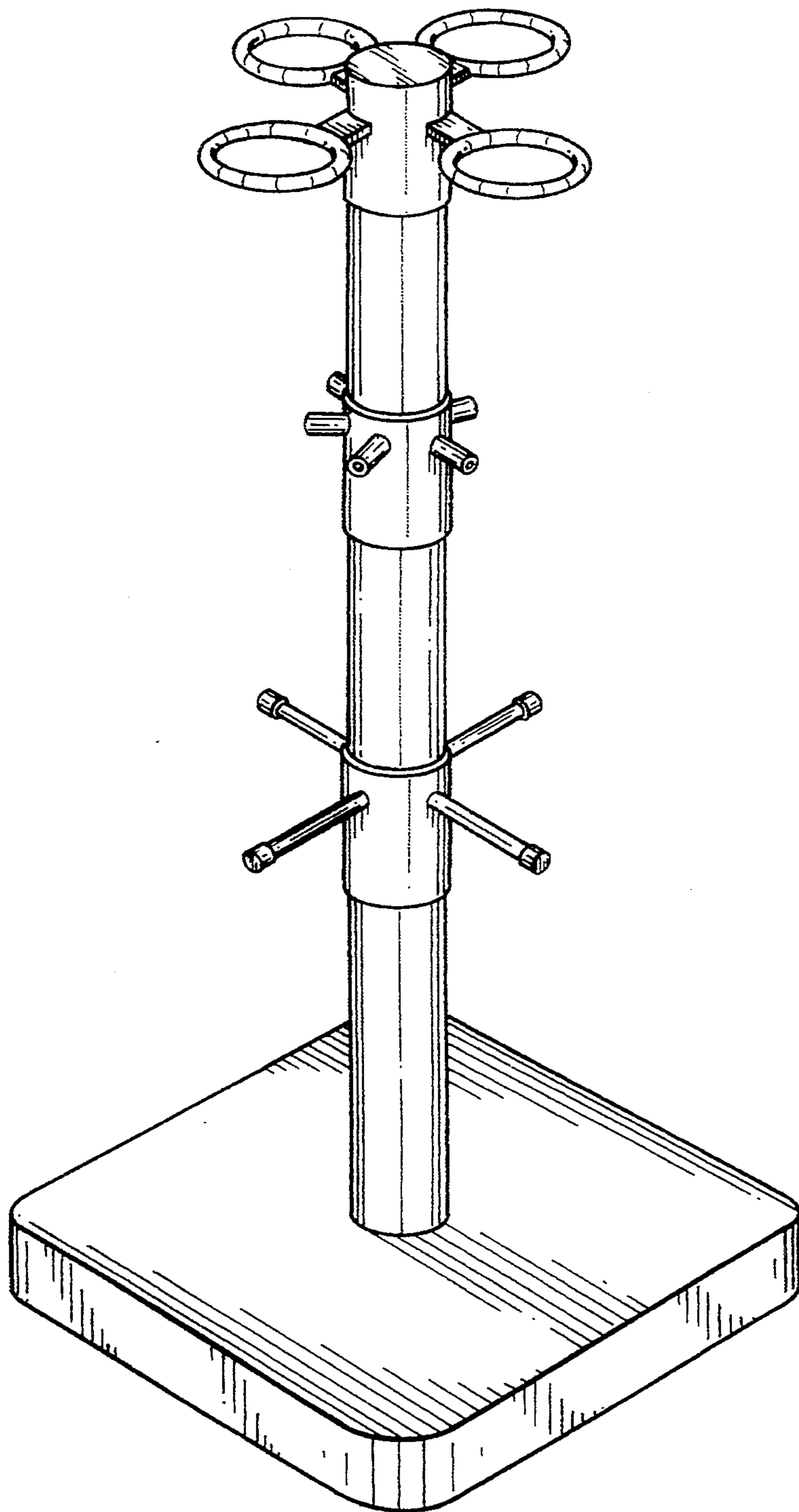


FIG-2

FIG-3

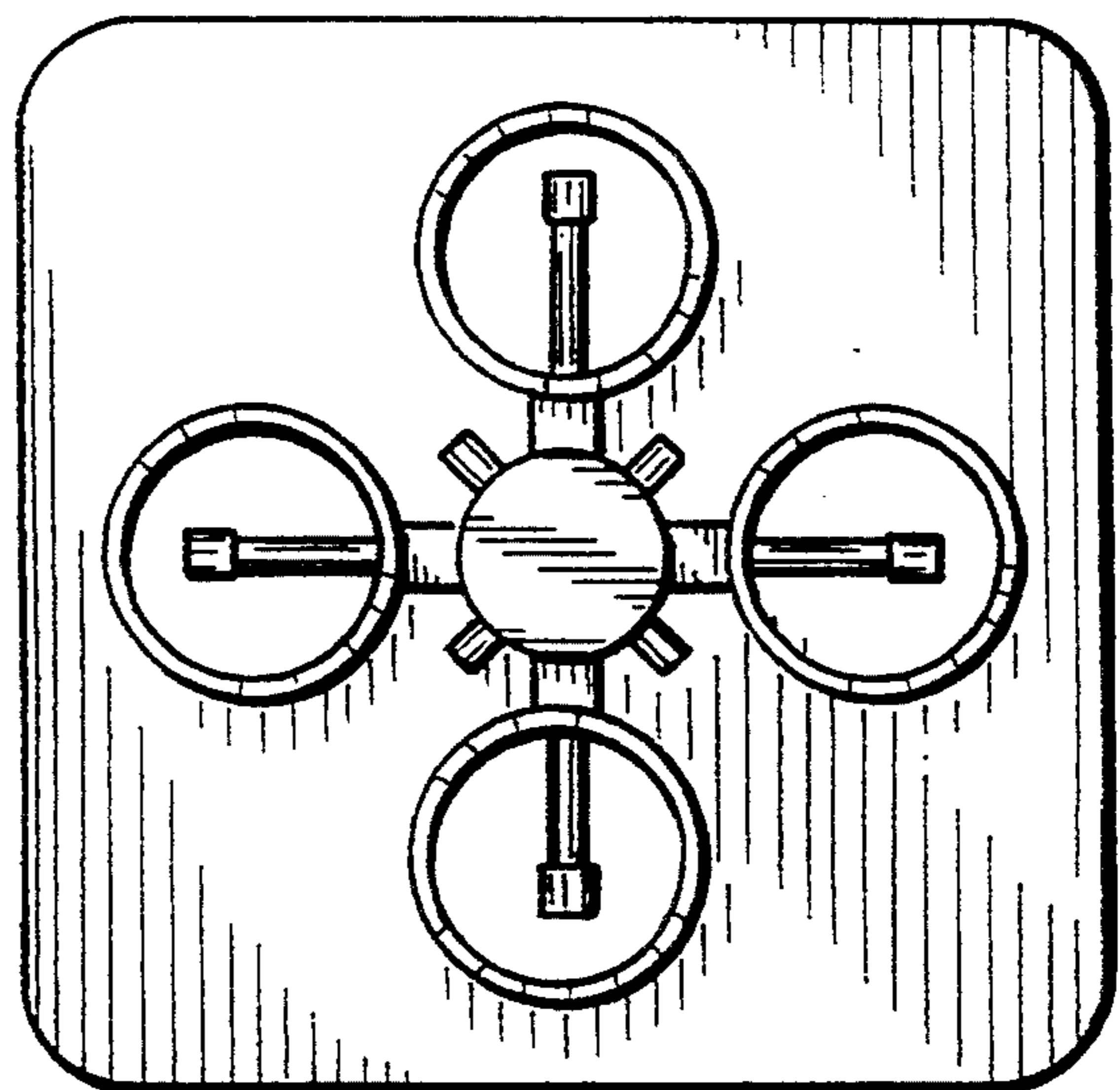
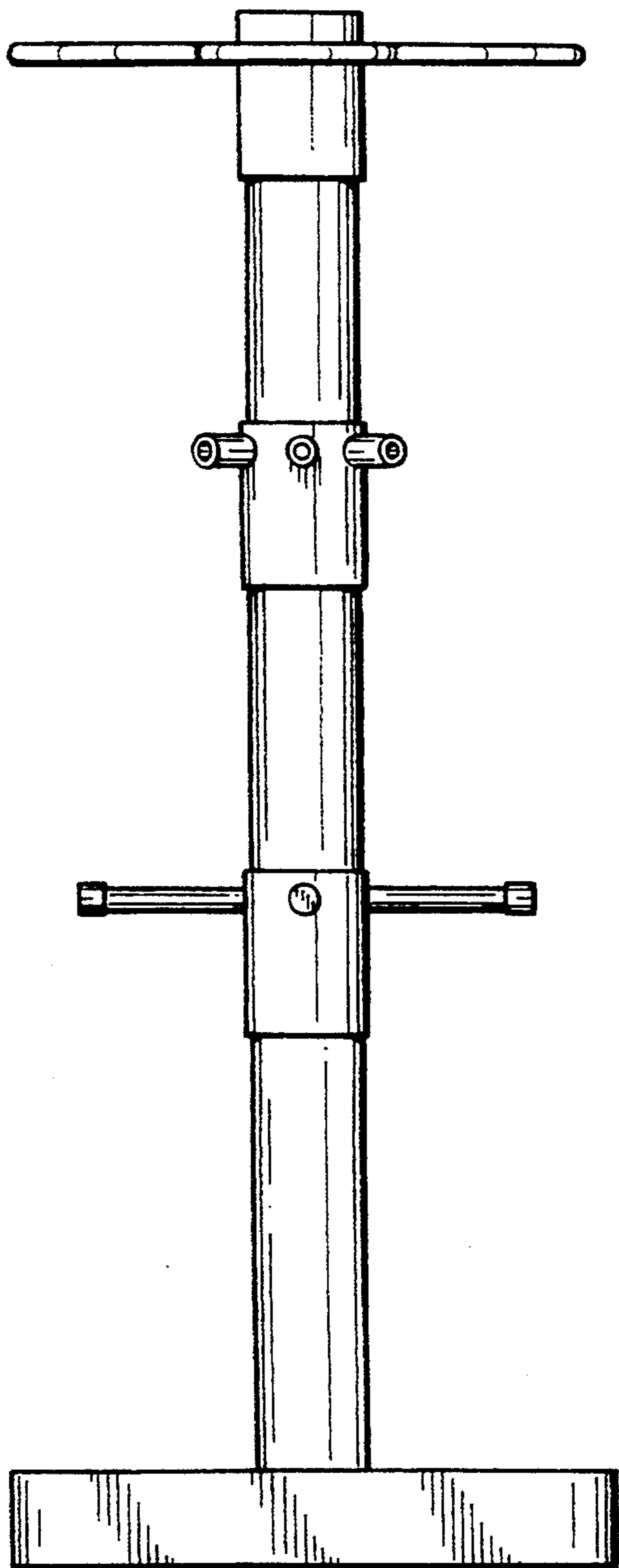


FIG-4

FIG-5

