



US00D361442S

United States Patent [19]

[11] Patent Number: **Des. 361,442**

Lewis

[45] Date of Patent: **** Aug. 22, 1995**

[54] SETTEE

[76] Inventor: **Sally S. Lewis**, 8727 Melrose Ave., Los Angeles, Calif. 90069-5086

[**] Term: **14 Years**

[21] Appl. No.: **16,874**

[22] Filed: **Dec. 28, 1993**

[52] U.S. Cl. **D6/381**

[58] Field of Search D6/334, 335, 349, 371, D6/373, 381, 500, 501, 502; 297/232

[56] **References Cited**

U.S. PATENT DOCUMENTS

D. 49,154	6/1916	Martin	D6/349 X
D. 80,600	3/1930	Bernhard	D6/381
D. 101,223	9/1936	Jiranek	D6/349
D. 115,429	6/1939	Stoll	D6/381
D. 131,001	1/1942	Abramson	D6/381
D. 168,498	12/1952	Cleese, Jr.	D6/381
D. 177,455	4/1956	Young	D6/381
D. 248,997	8/1978	Peed	D6/381
D. 269,568	7/1983	Nelson	D6/381
D. 283,275	4/1986	Culler	D6/381 X
D. 336,995	7/1993	Diaz-Azcuy	D6/334
D. 338,567	8/1993	Hutton	D6/381

OTHER PUBLICATIONS

Nic. Liesenbein's Sons, ©1921, p. 53, Sofa 3654 at bottom right.

Nic. Liesenbein's Sons, ©1921, p. 101, Bench #4108 at top left.

Karpen Furniture, 1925, p. 17, Sofa #50274-R, bottom center.

Primary Examiner—Alan P. Douglas
Assistant Examiner—Gary D. Watson
Attorney, Agent, or Firm—Charles H. Schwartz;
Ellsworth R. Roston

[57] **CLAIM**

The ornamental design for a settee, as shown and described.

DESCRIPTION

FIG. 1 illustrate a perspective view of a settee according to my new design and specifically illustrating as a first embodiment a settee;

FIG. 2 is a front elevational view thereof;

FIG. 3 is a back elevational view thereof; and,

FIG. 4 is a side elevational view thereof, the opposite side begin a mirror image.

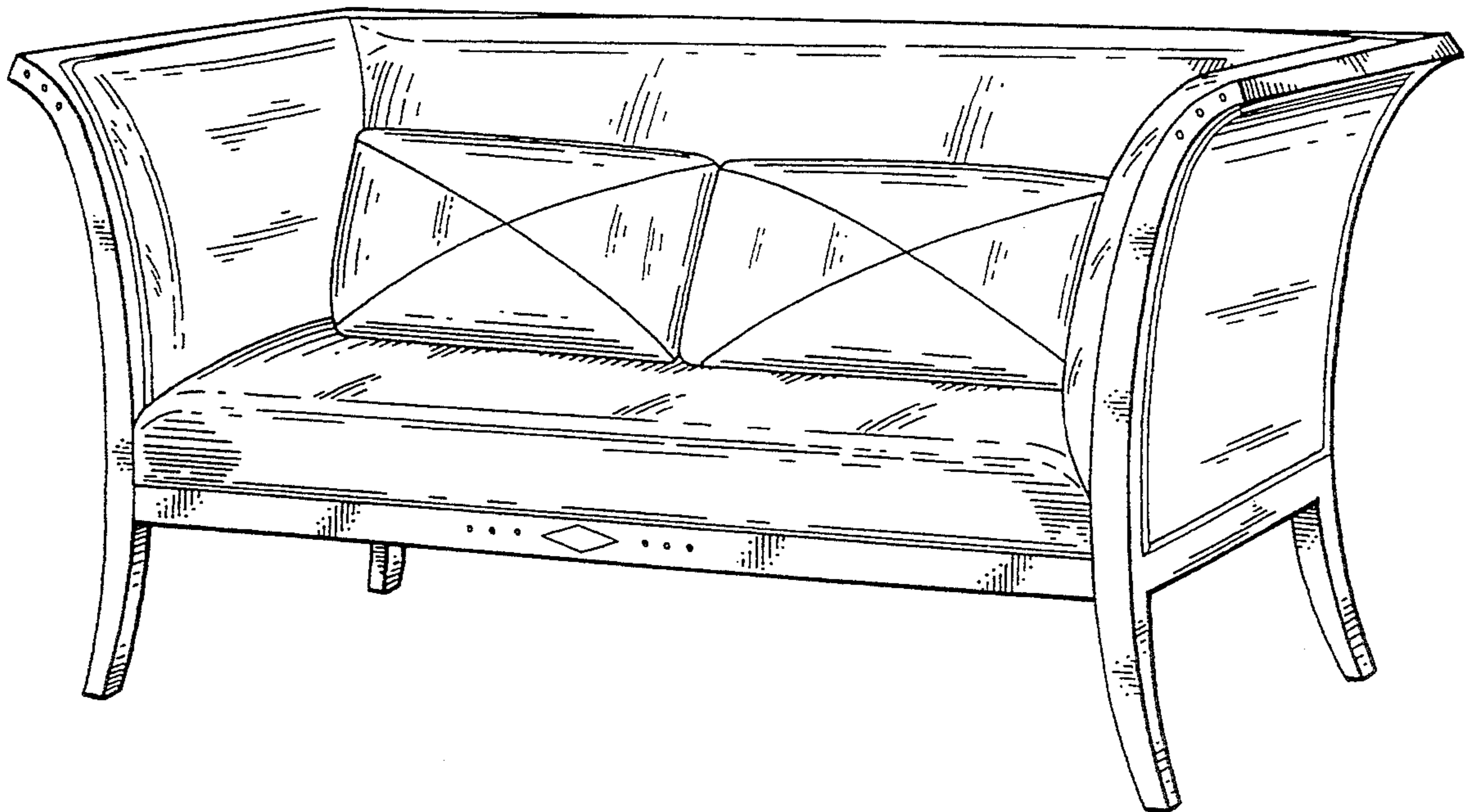


FIG. 1

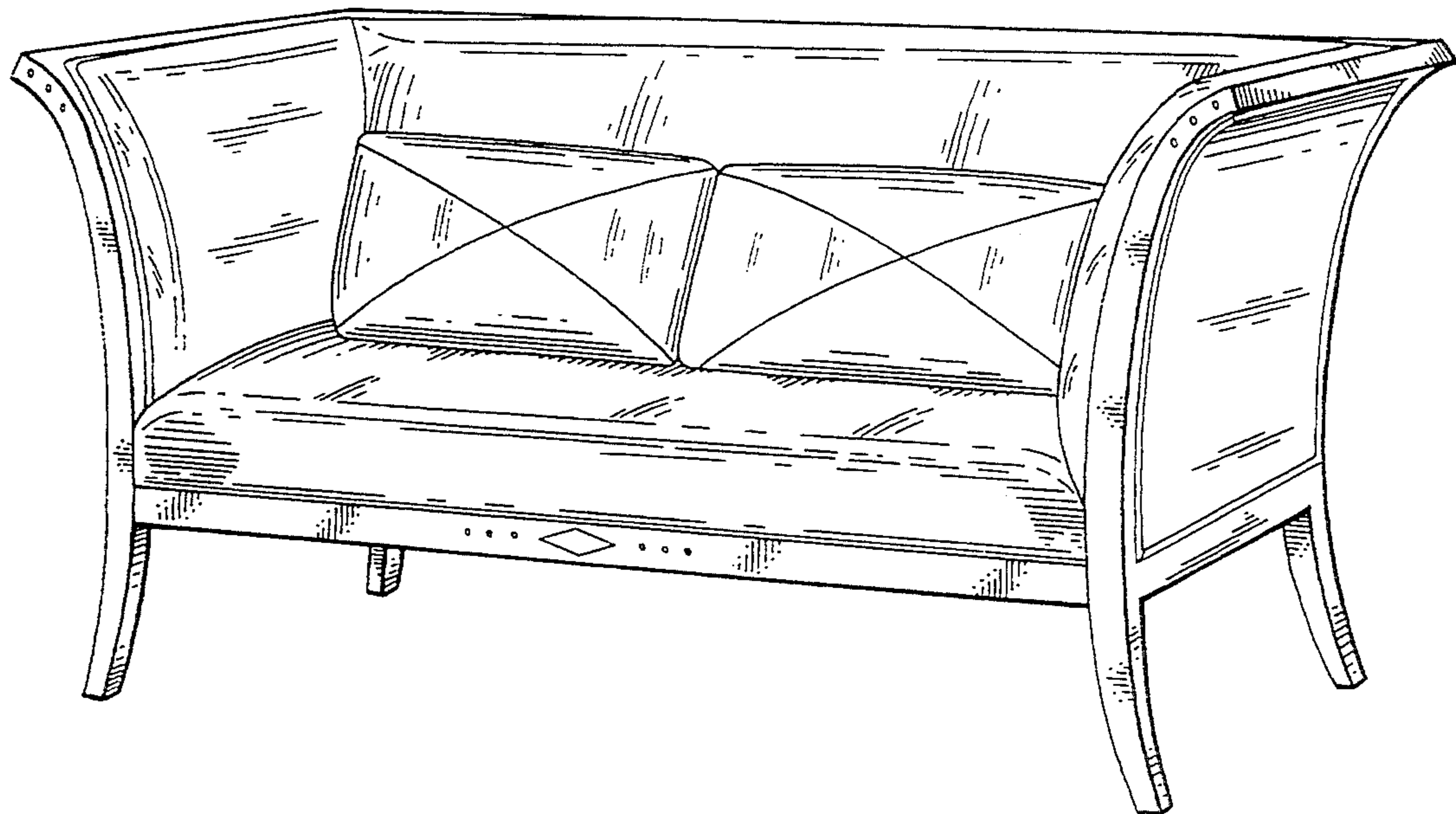


FIG. 2

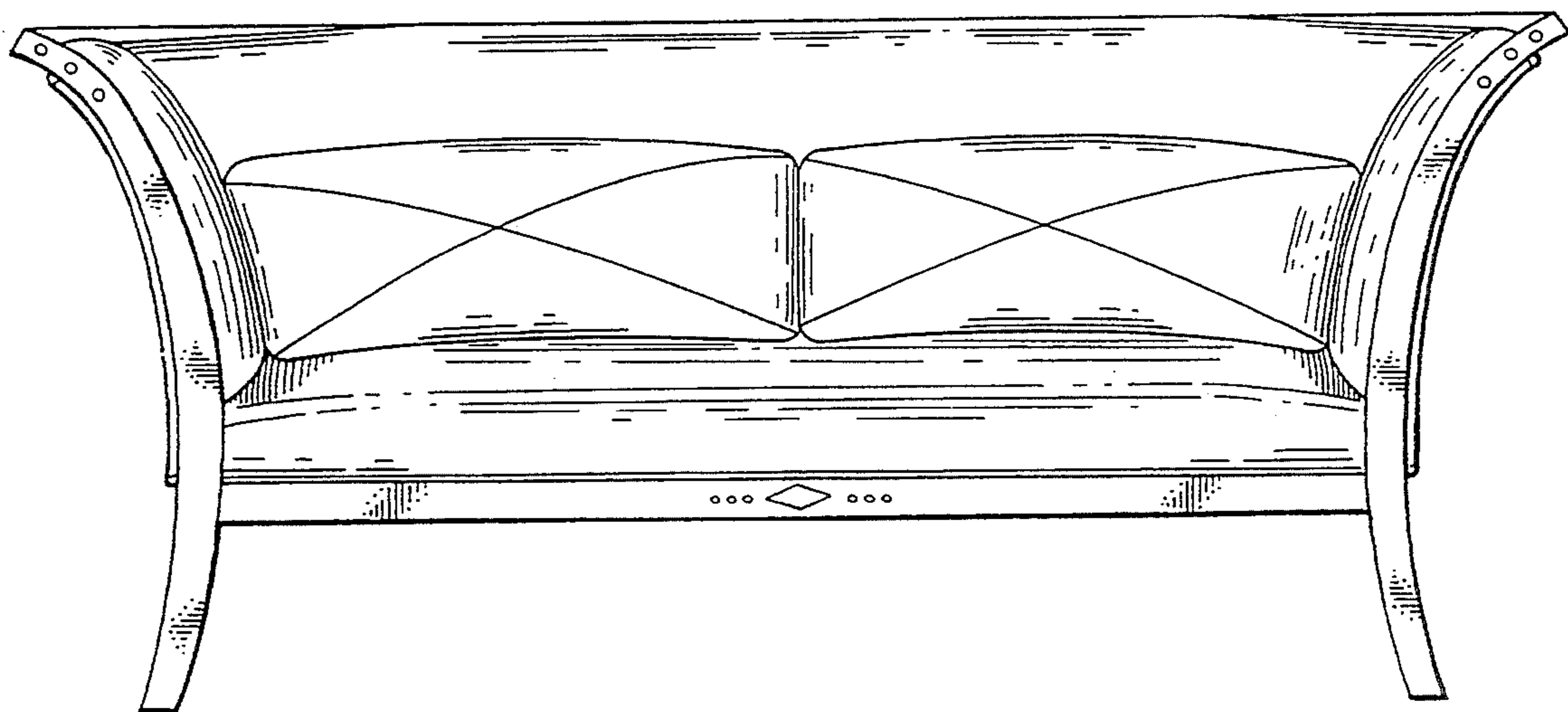


FIG. 3

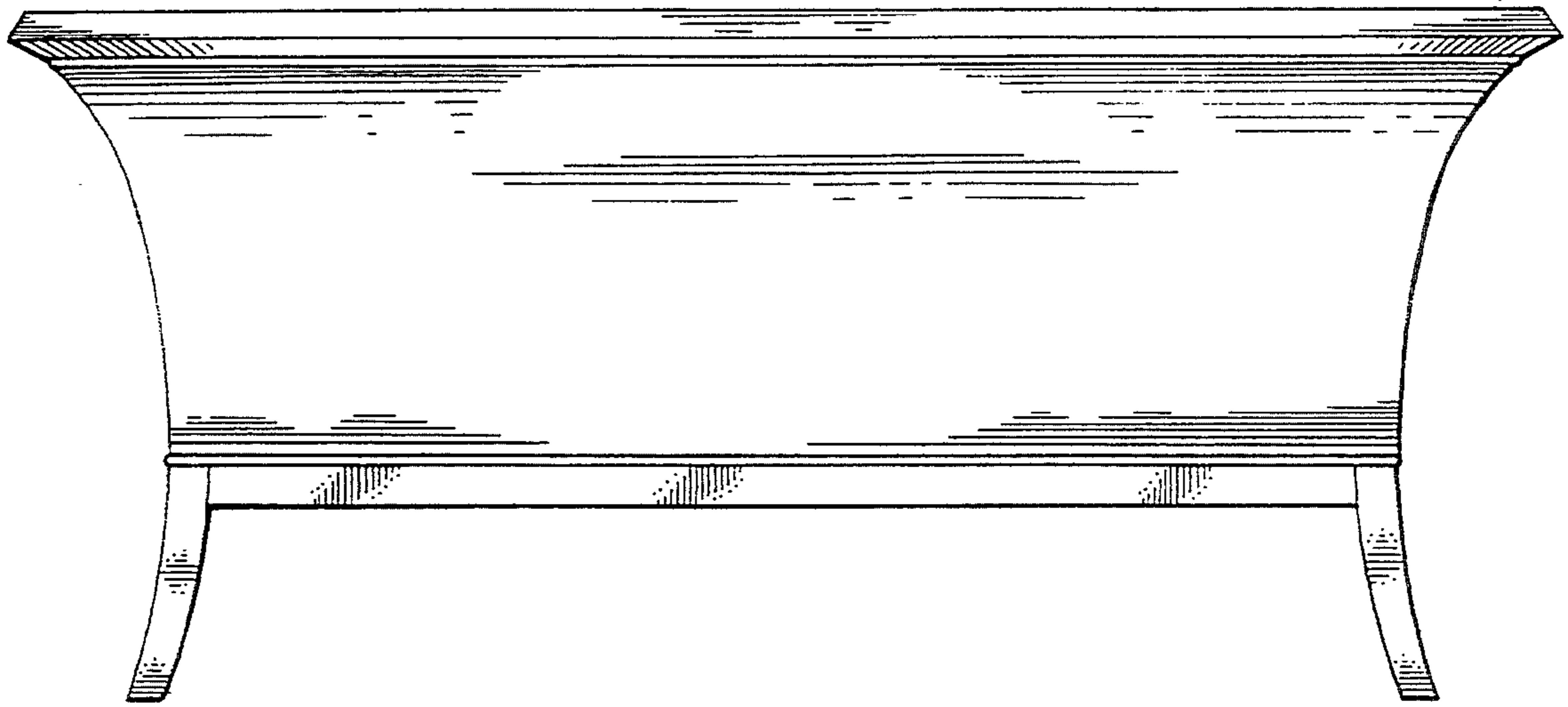


FIG. 4

