



US00D361441S

# United States Patent [19] Goldstein

[11] Patent Number: **Des. 361,441**  
[45] Date of Patent: **\*\* Aug. 22, 1995**

[54] CHAIR  
[75] Inventor: **Peter Goldstein, Dallas County, Tex.**  
[73] Assignee: **Peter Goldstein Furniture Designs, Inc., Dallas, Tex.**  
[\*\*] Term: **14 Years**  
[21] Appl. No.: **17,617**  
[22] Filed: **Jan. 18, 1994**  
[52] U.S. Cl. .... **D6/374; D6/335**  
[58] Field of Search ..... **D6/334, 335, 336, 338, D6/368, 374, 500, 501, 502; 297/124, 440.13**

D. 350,030 8/1994 Abrams ..... D6/335  
3,367,712 2/1968 Greene ..... 297/124

*Primary Examiner*—Alan P. Douglas  
*Assistant Examiner*—Gary D. Watson  
*Attorney, Agent, or Firm*—Richards, Medlock & Andrews

[57] **CLAIM**

The ornamental design for a chair, as shown and described.

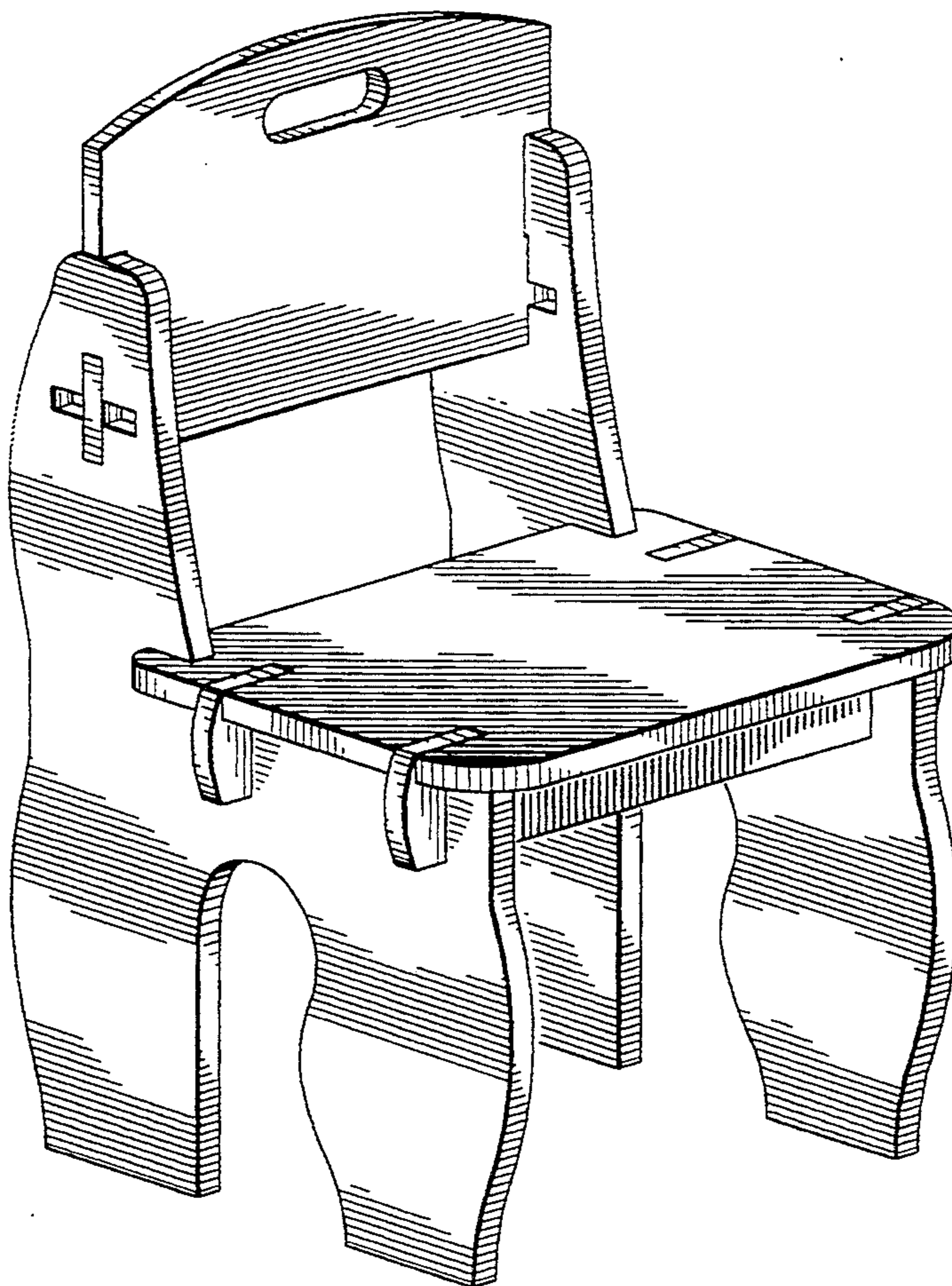
**DESCRIPTION**

FIG. 1 is a perspective view of a chair embodying my design;  
FIG. 2 is a right side elevational view thereof;  
FIG. 3 is a front elevational view thereof;  
FIG. 4 is a rear elevational view thereof;  
FIG. 5 is a left side elevational view thereof;  
FIG. 6 is a top view thereof;  
FIG. 7 is a bottom view thereof; and,  
FIG. 8 is an exploded view of the components thereof.

[56] **References Cited**

**U.S. PATENT DOCUMENTS**

D. 144,730 5/1946 Perrault ..... D6/374  
D. 150,886 9/1948 Ross ..... D6/374  
D. 157,697 3/1950 Peppin ..... D6/335  
D. 218,420 8/1970 Weidner ..... D6/374 X  
D. 322,364 12/1991 Smith ..... D6/368



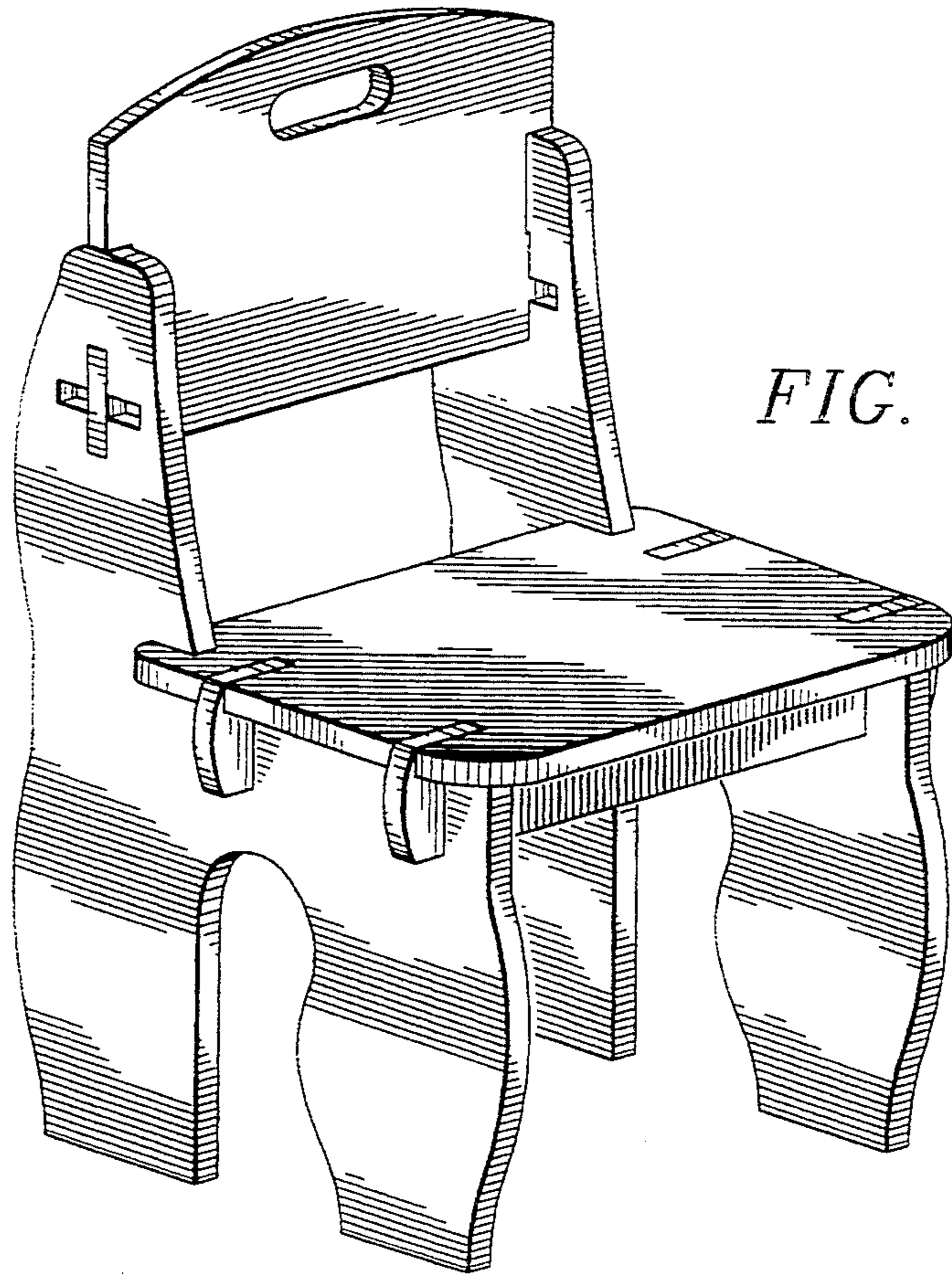


FIG. 1

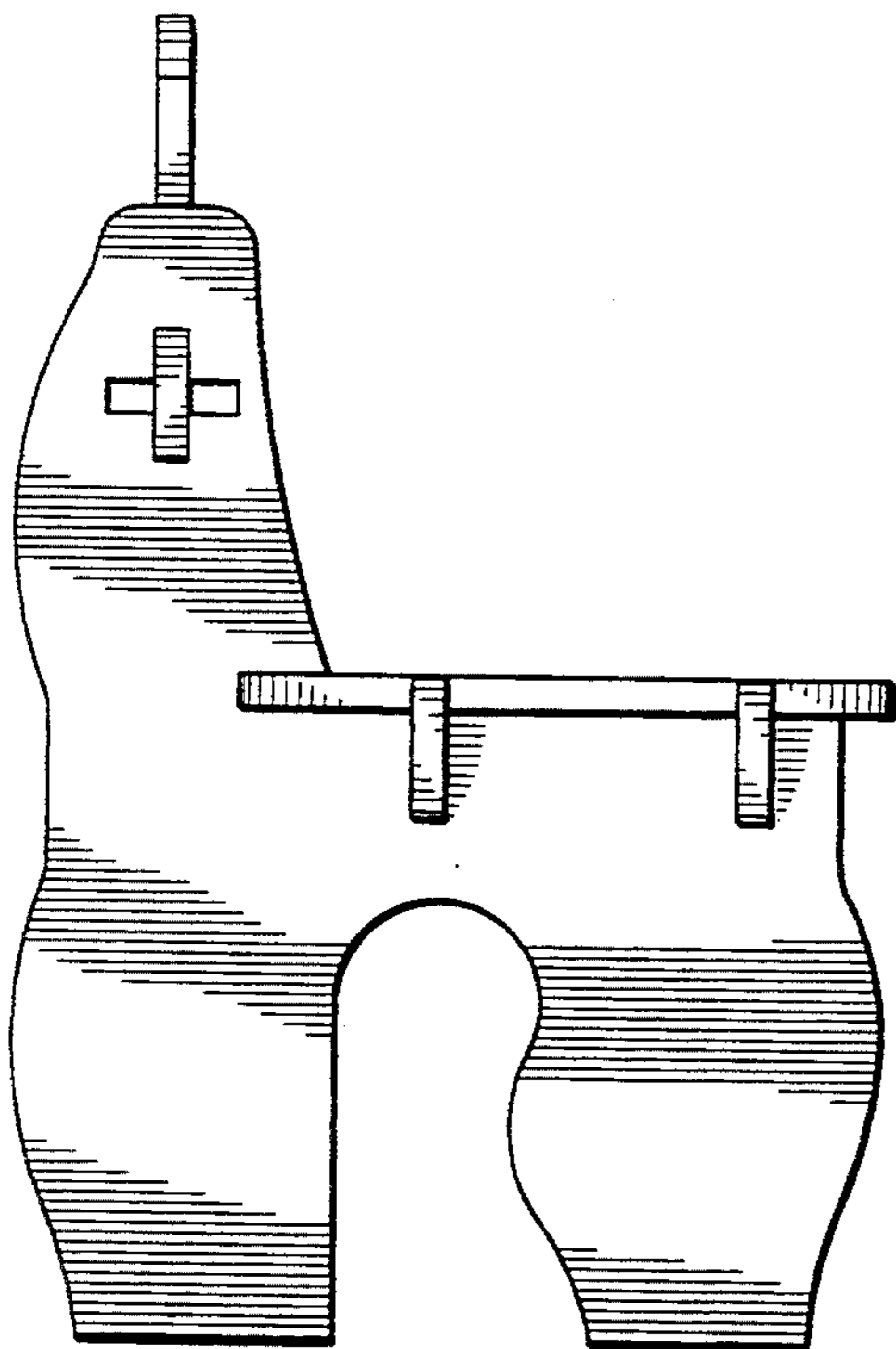


FIG. 2

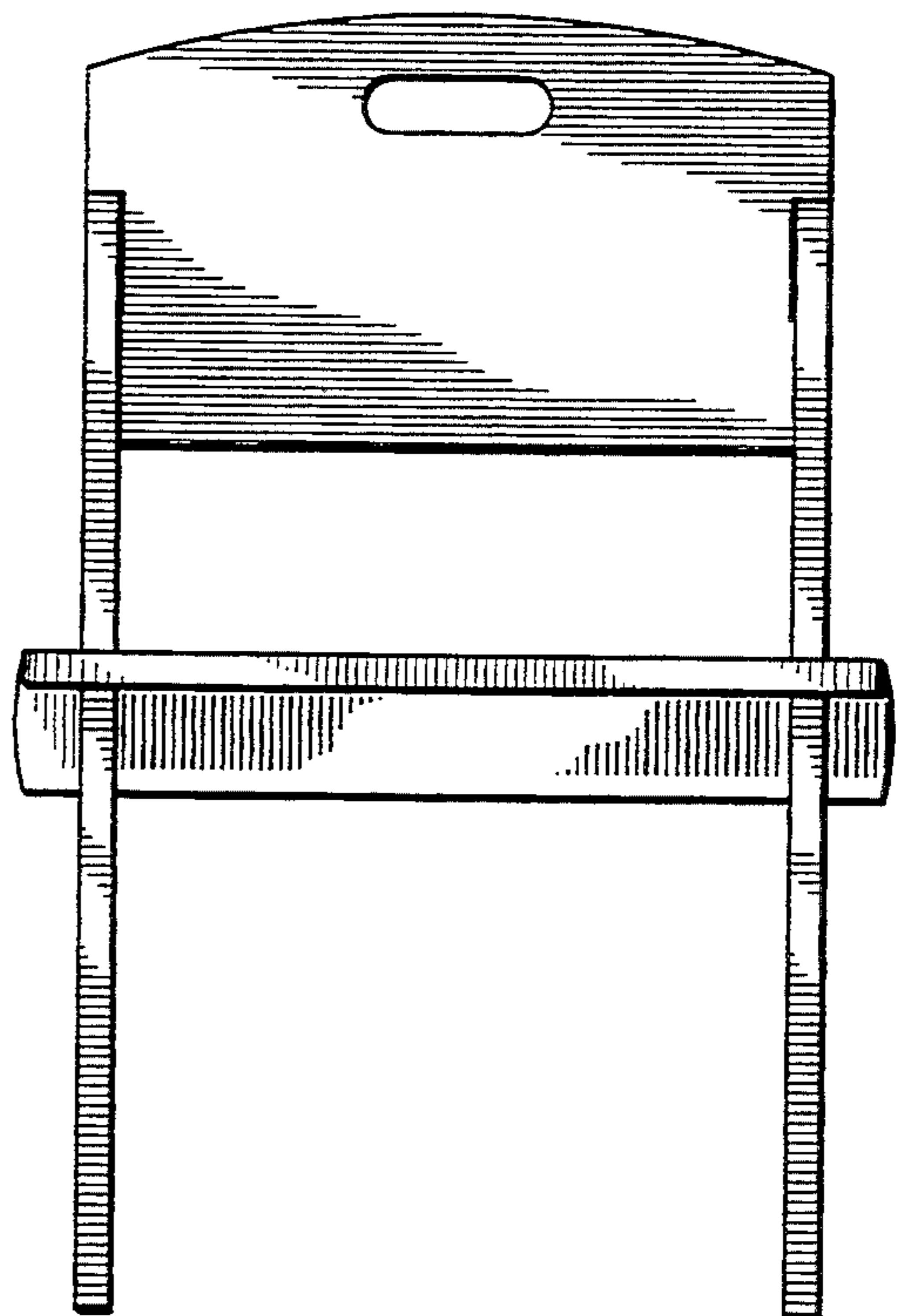


FIG. 3

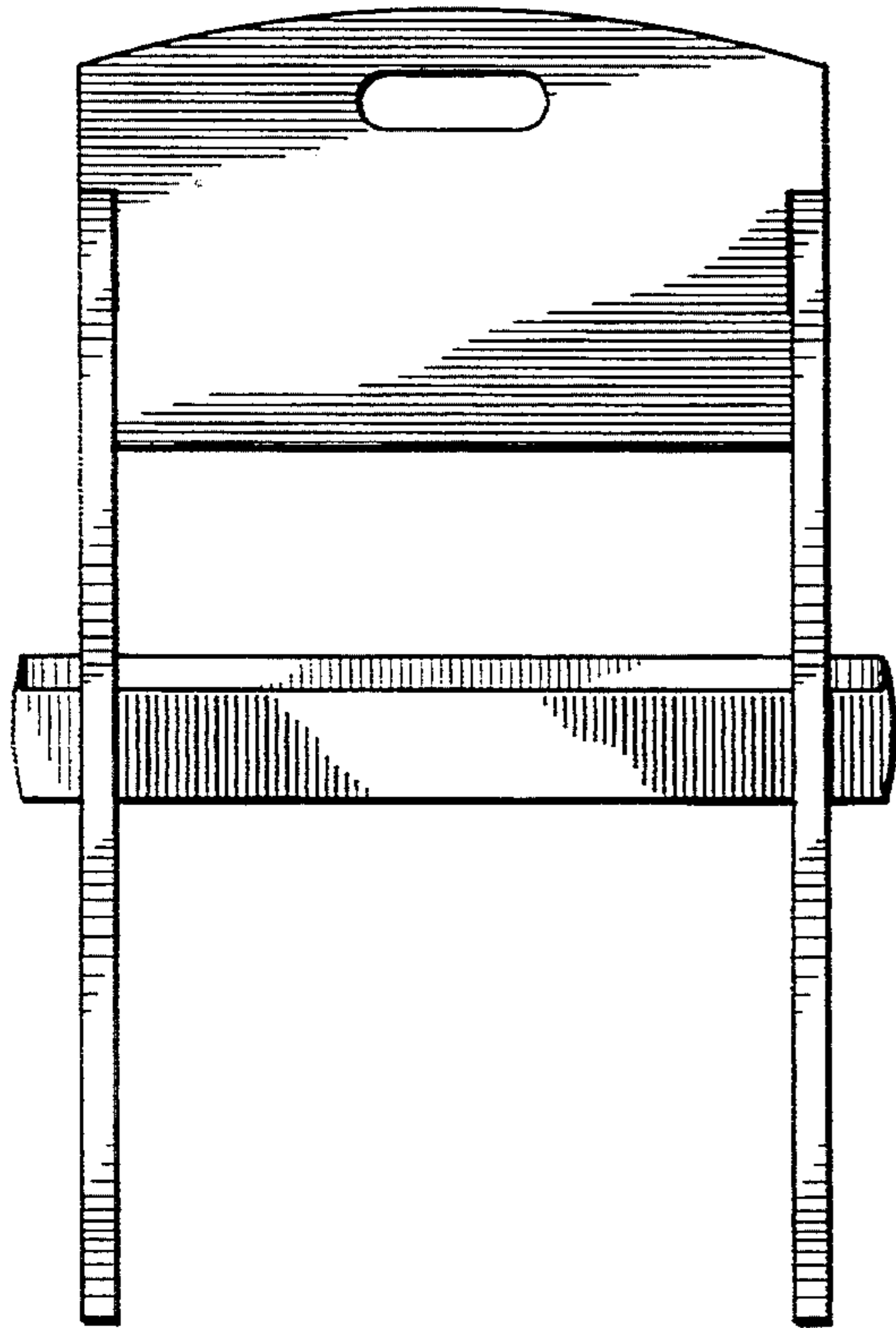


FIG. 4

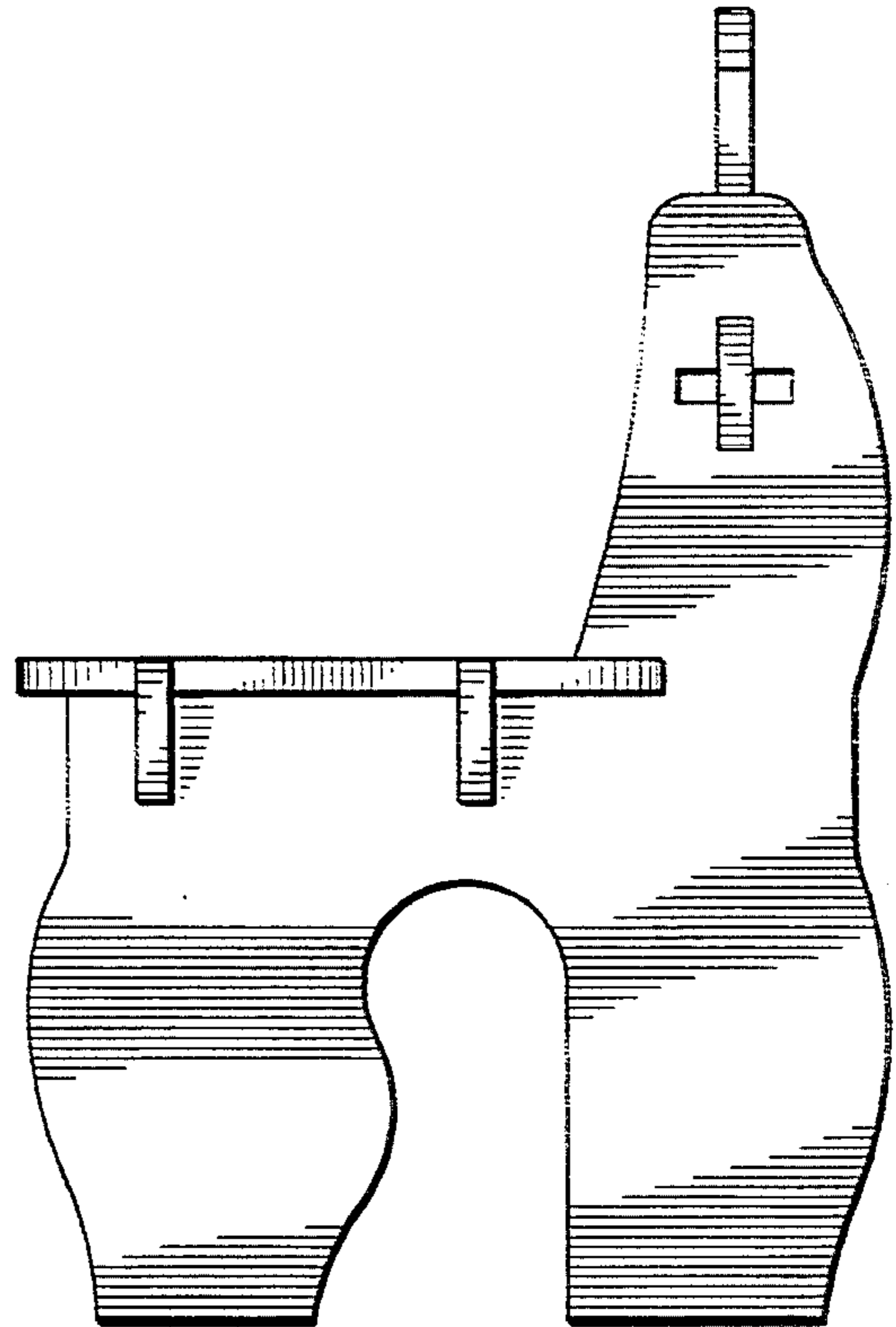


FIG. 5

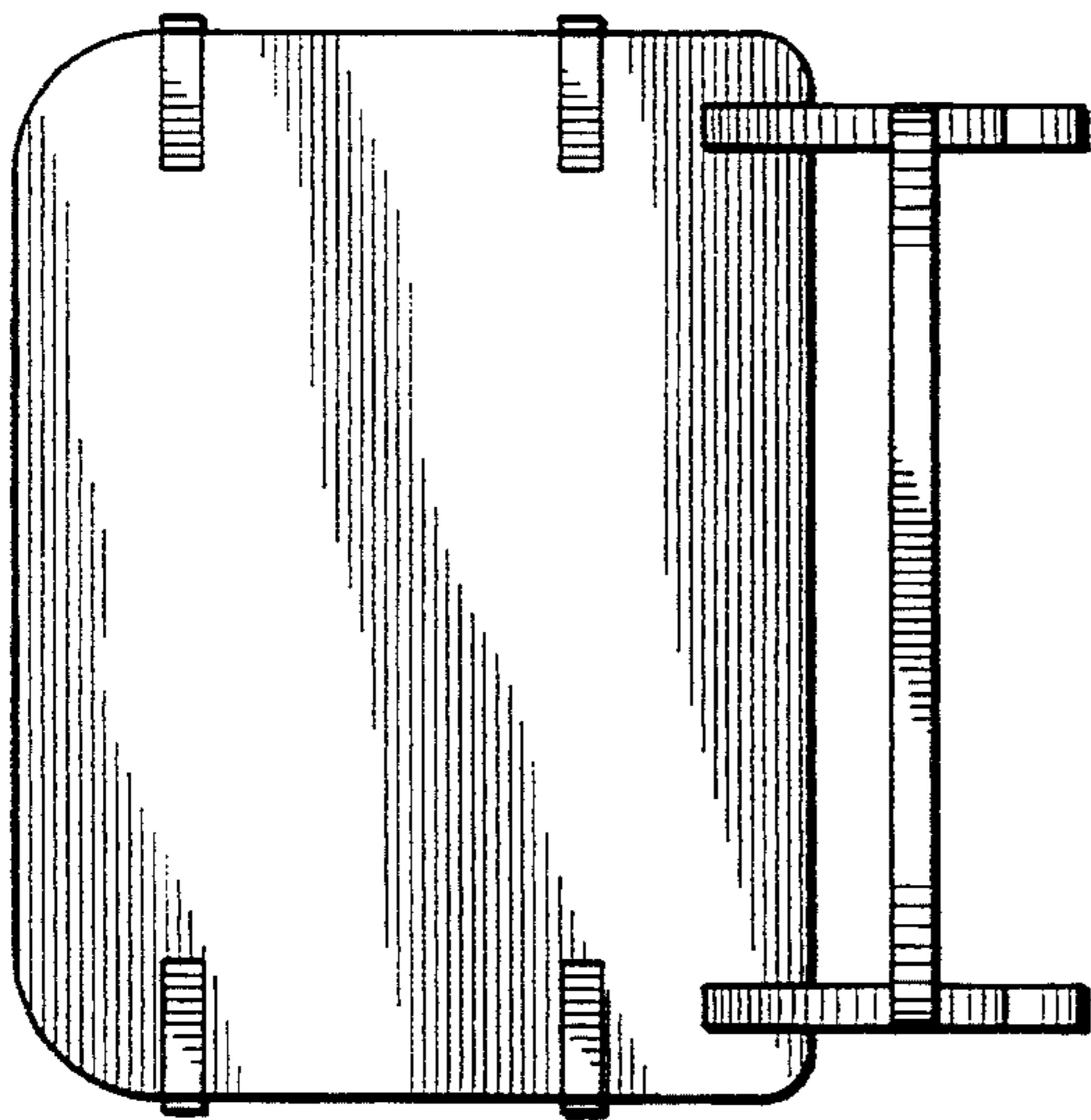


FIG. 6

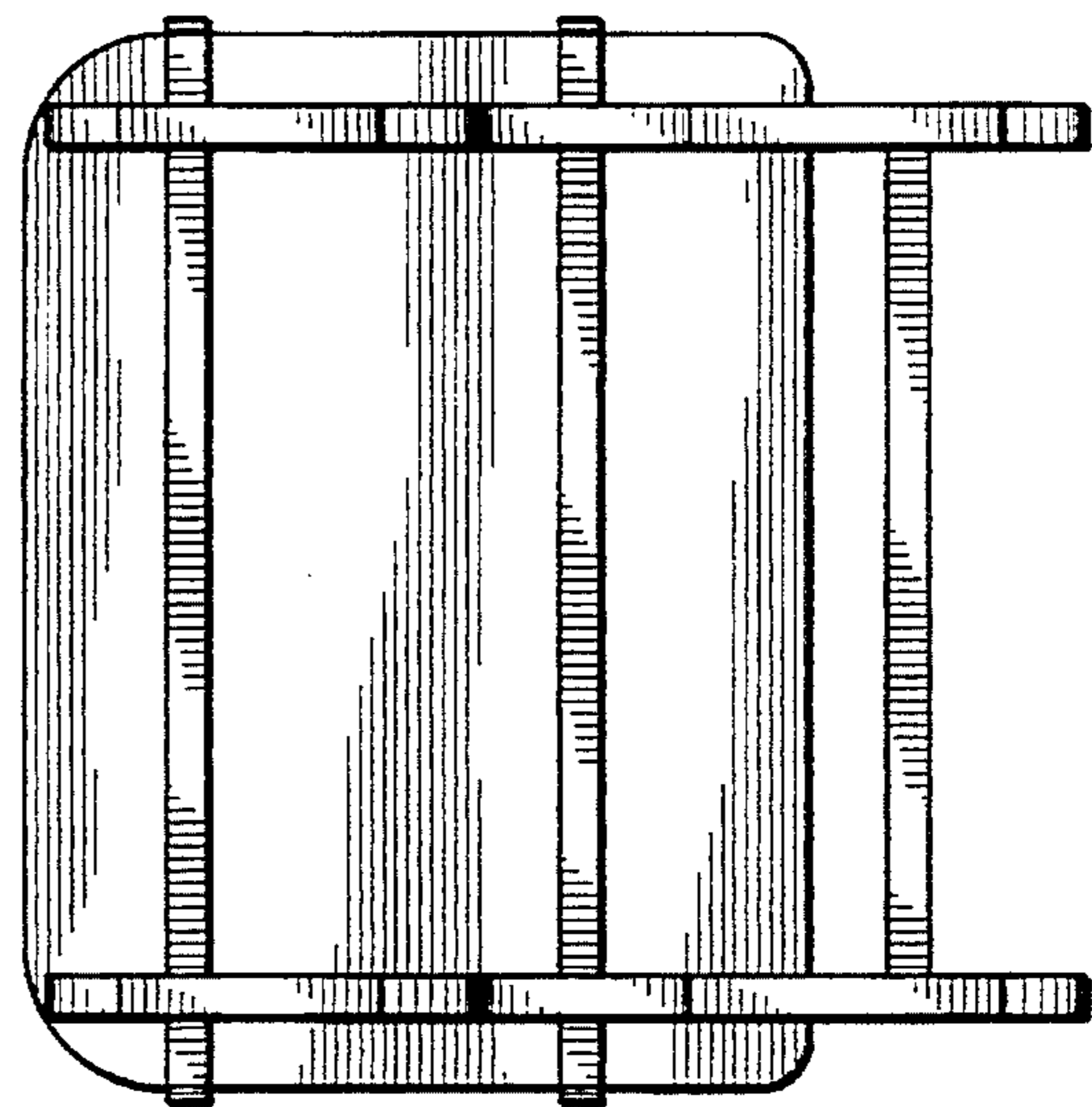


FIG. 7

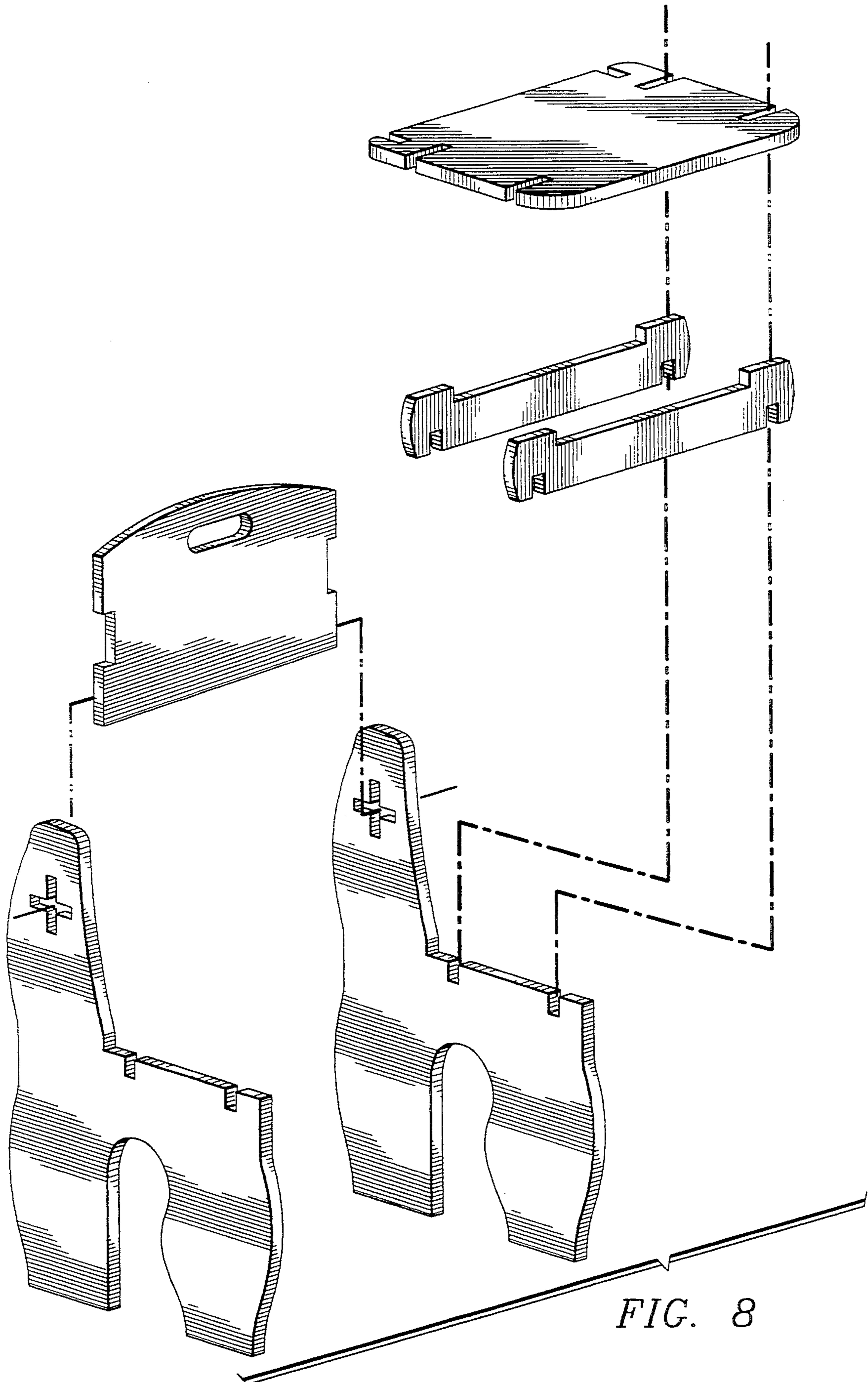


FIG. 8