



US00D361439S

United States Patent [19]
Patton

[11] **Patent Number: Des. 361,439**
[45] **Date of Patent: ** Aug. 22, 1995**

[54] **COLLAPSIBLE PORTABLE SHELTER WITH BENCH**

[76] **Inventor: Mark A. Patton, RR 3, Orr Lake, Elmvale, Ontario, Canada, L0L 1P0**

[**] **Term: 14 Years**

[21] **Appl. No.: 23,459**

[22] **Filed: May 25, 1994**

[52] **U.S. Cl. D6/368; D25/16**

[58] **Field of Search D25/16, 56; D28/18, D28/19; D21/253; D6/421, 335, 368, 349; 135/90, 143, 148, 155, 158, 901; 297/184.15, 184.1, 377**

[56] **References Cited**

U.S. PATENT DOCUMENTS

1,256,902	2/1918	Howe	297/184.15
2,070,484	2/1937	Jones	135/904 X
2,851,045	9/1958	Haselton	135/155 X

3,030,523	5/1962	DeShano	135/128 X
3,243,230	3/1966	Otto	297/184.15
4,635,667	1/1987	Harn	135/90
4,930,838	6/1990	Brabant	297/184.1 X
5,096,257	3/1992	Clark	297/184.15
5,154,473	10/1992	Joranco	297/184.15
5,168,889	12/1992	Diestel	297/184.15 X

Primary Examiner—Doris V. Coles
Attorney, Agent, or Firm—H. Jay Spiegel

[57] **CLAIM**

The ornamental design for a collapsible portable shelter with bench, as shown and described.

DESCRIPTION

FIG. 1 shows a perspective view of the present invention;
FIG. 2 shows a side view of the present invention;
FIG. 3 shows the other side view of the present invention; and,
FIG. 4 shows a front view of the present invention.

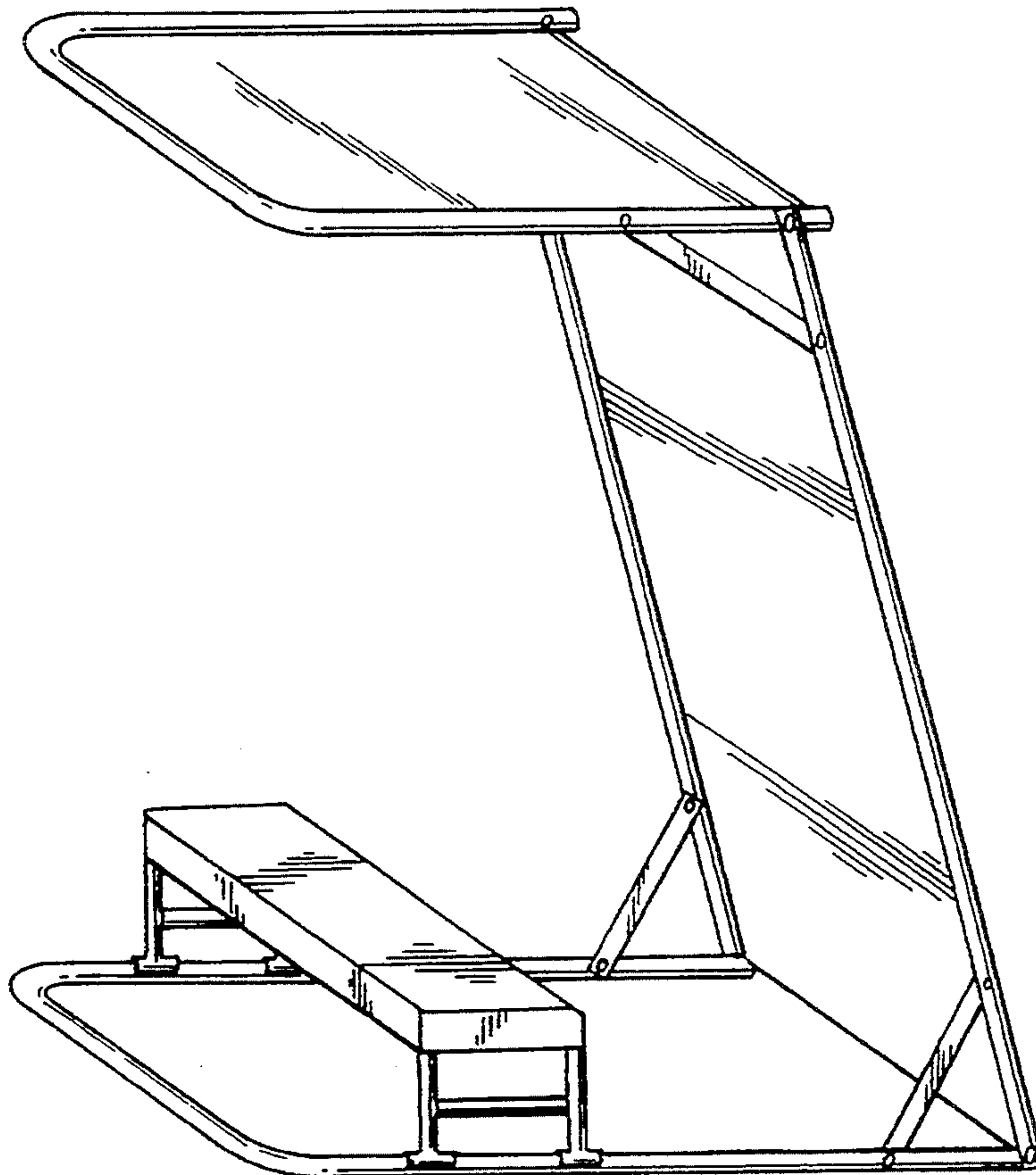


FIG. 1

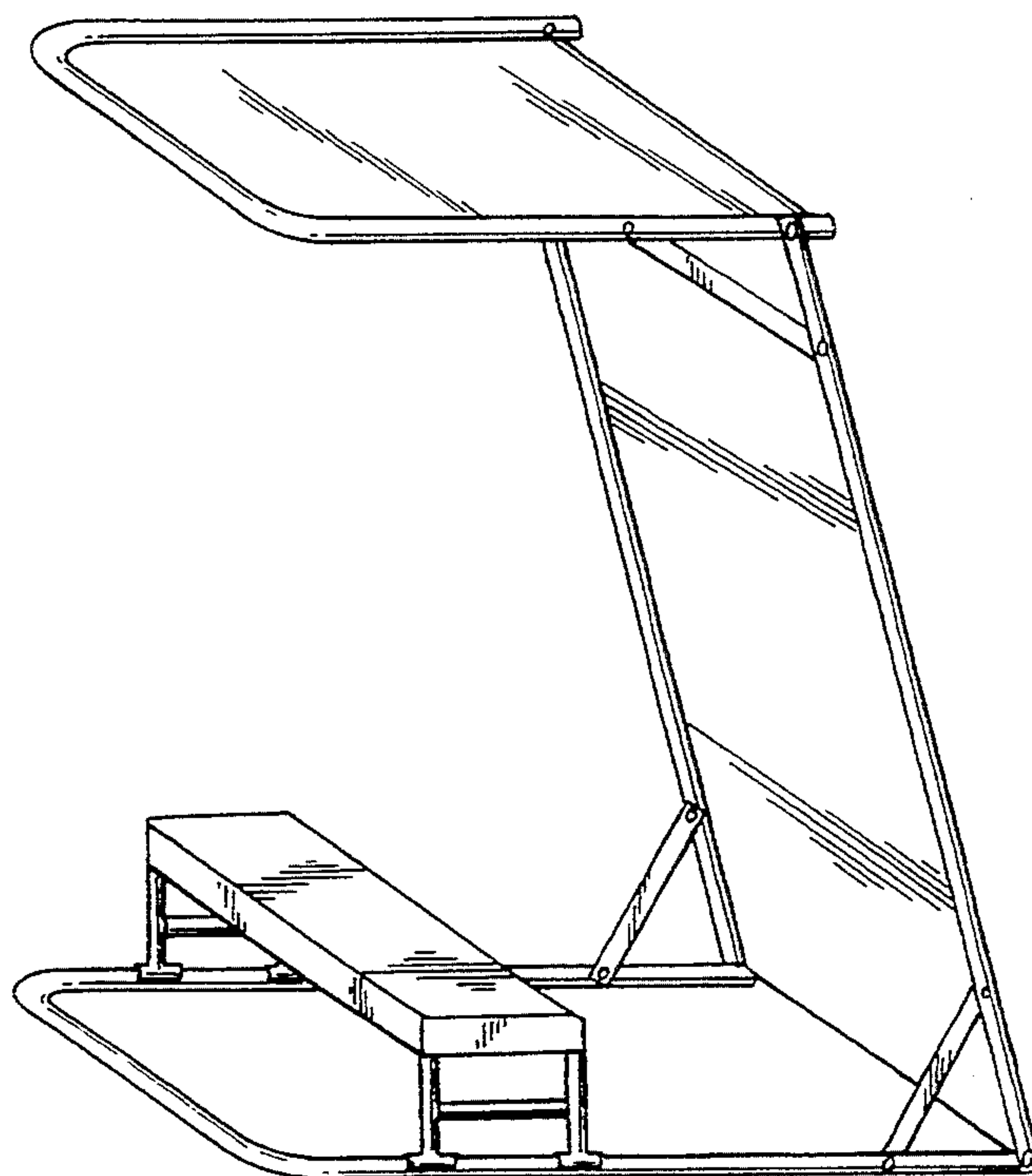


FIG. 2

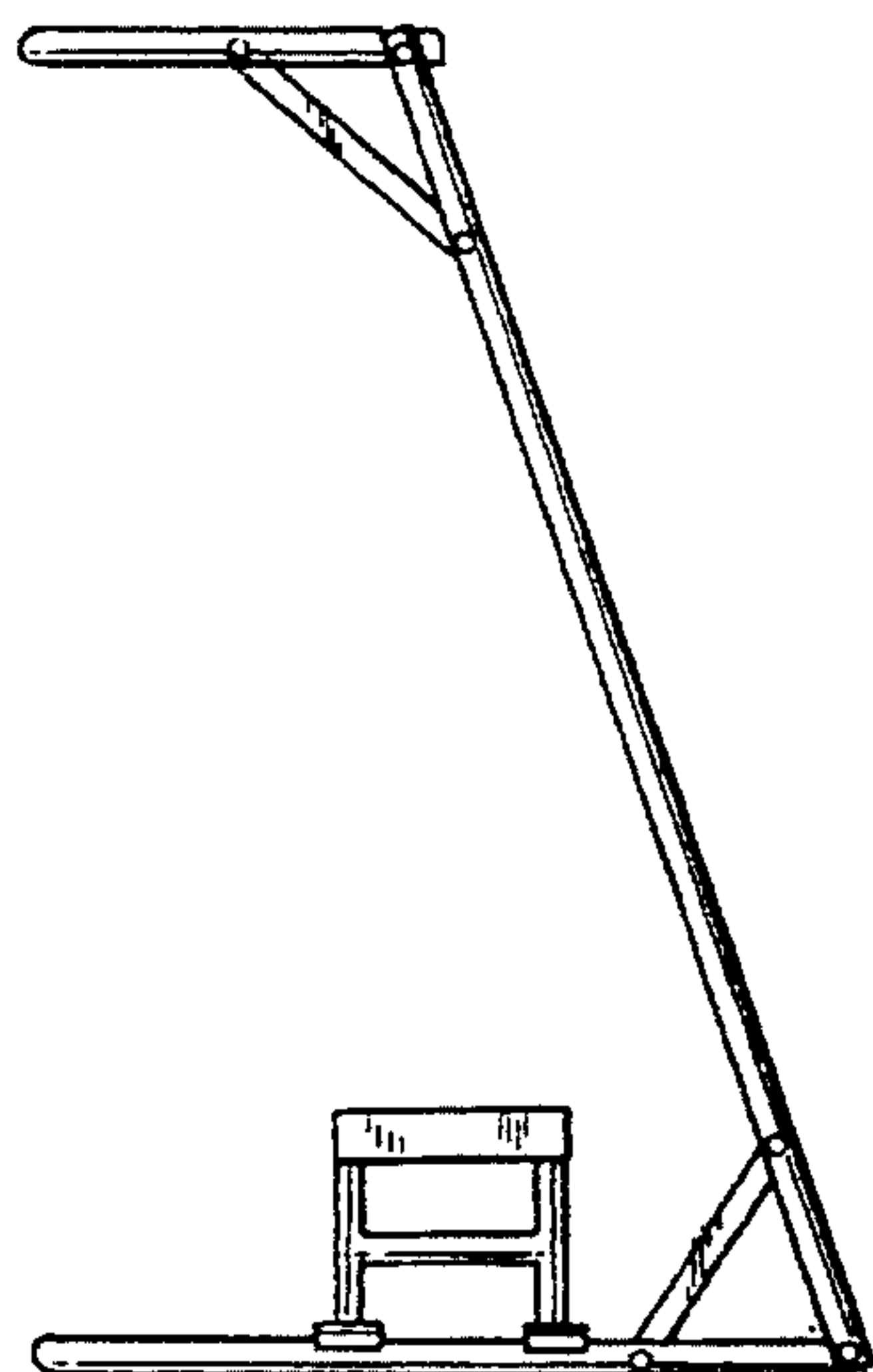


FIG. 3

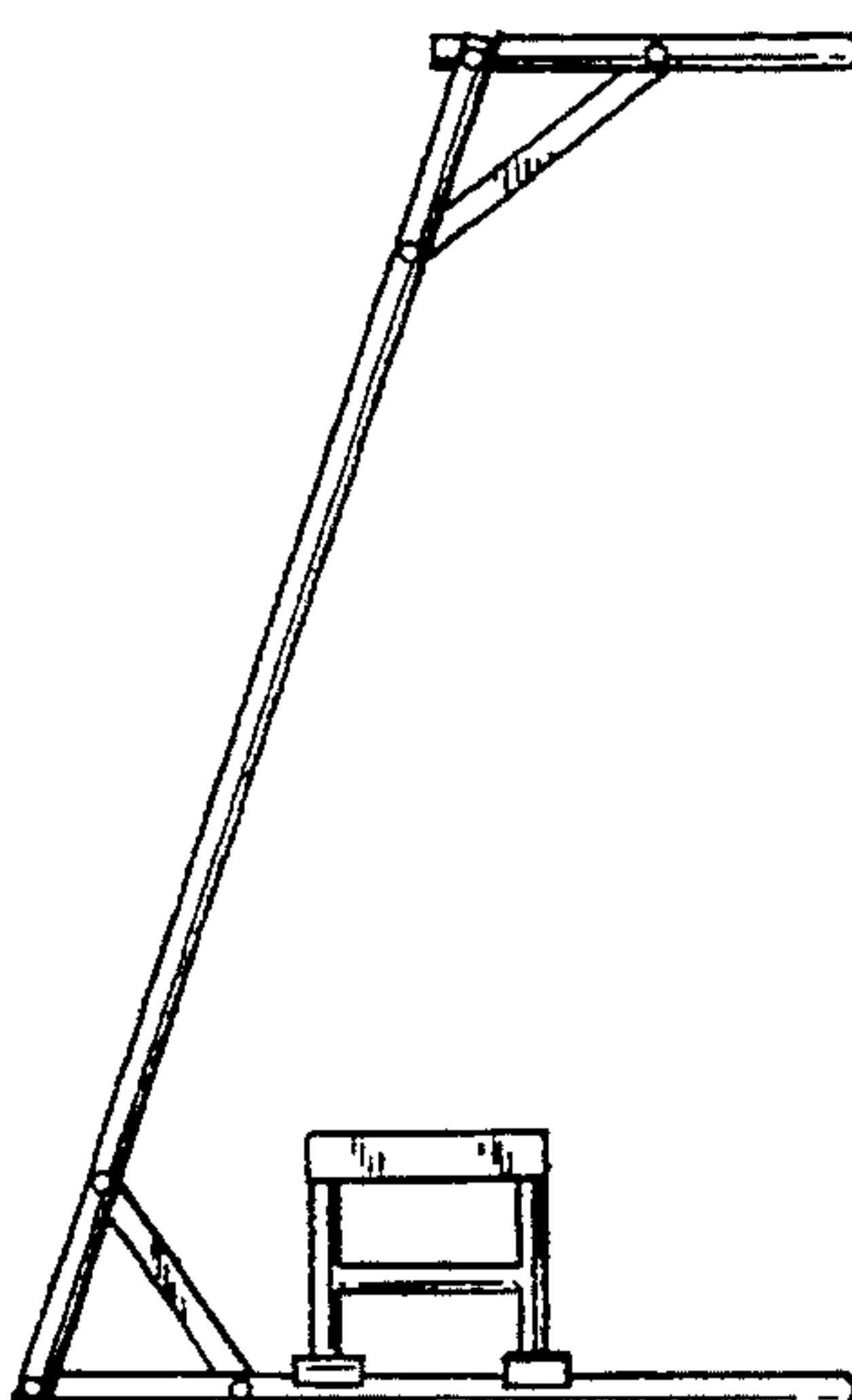


FIG. 4

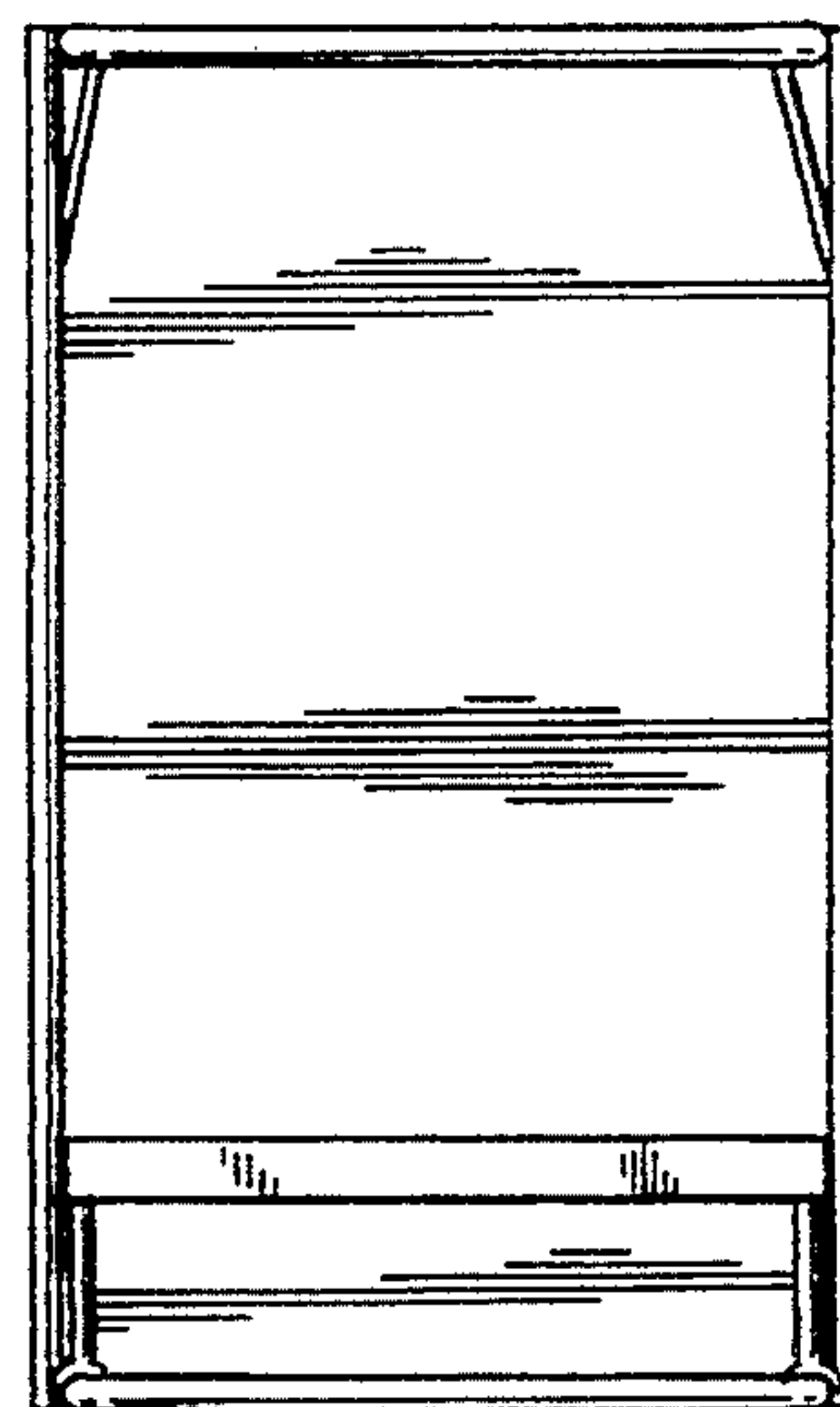


FIG. 5

