



US00D361430S

United States Patent [19]

Mohundro

[11] Patent Number: **Des. 361,430**

[45] Date of Patent: **** Aug. 22, 1995**

[54] **JEWELRY BOX**

[76] Inventor: **James G. Mohundro**, No. 20, Ta-Lung Road, 11F-4, Taichung, Taiwan

[**] Term: **14 Years**

[21] Appl. No.: **22,413**

[22] Filed: **May 4, 1994**

[52] U.S. Cl. **D3/297; D3/296; D3/903; D6/446**

[58] Field of Search **D3/273, 275, 294, 295, D3/296, 297, 298, 903; D6/446, 448; 220/503, 4.27, 507; 206/503, 45, 372, 373, 45.31; 312/120, 244, 318**

[56] **References Cited**

U.S. PATENT DOCUMENTS

- D. 199,820 12/1964 Meeker D3/296
- D. 263,861 4/1982 Barber D3/903

- D. 267,153 12/1982 Lebowitz D3/297
- D. 325,478 4/1992 Ward D6/446
- D. 328,817 8/1992 Holland D3/903
- 1,831,401 11/1931 Weidlich et al. D3/903
- 5,259,502 11/1993 Chan 206/45
- 5,346,091 9/1994 Hsv 220/503

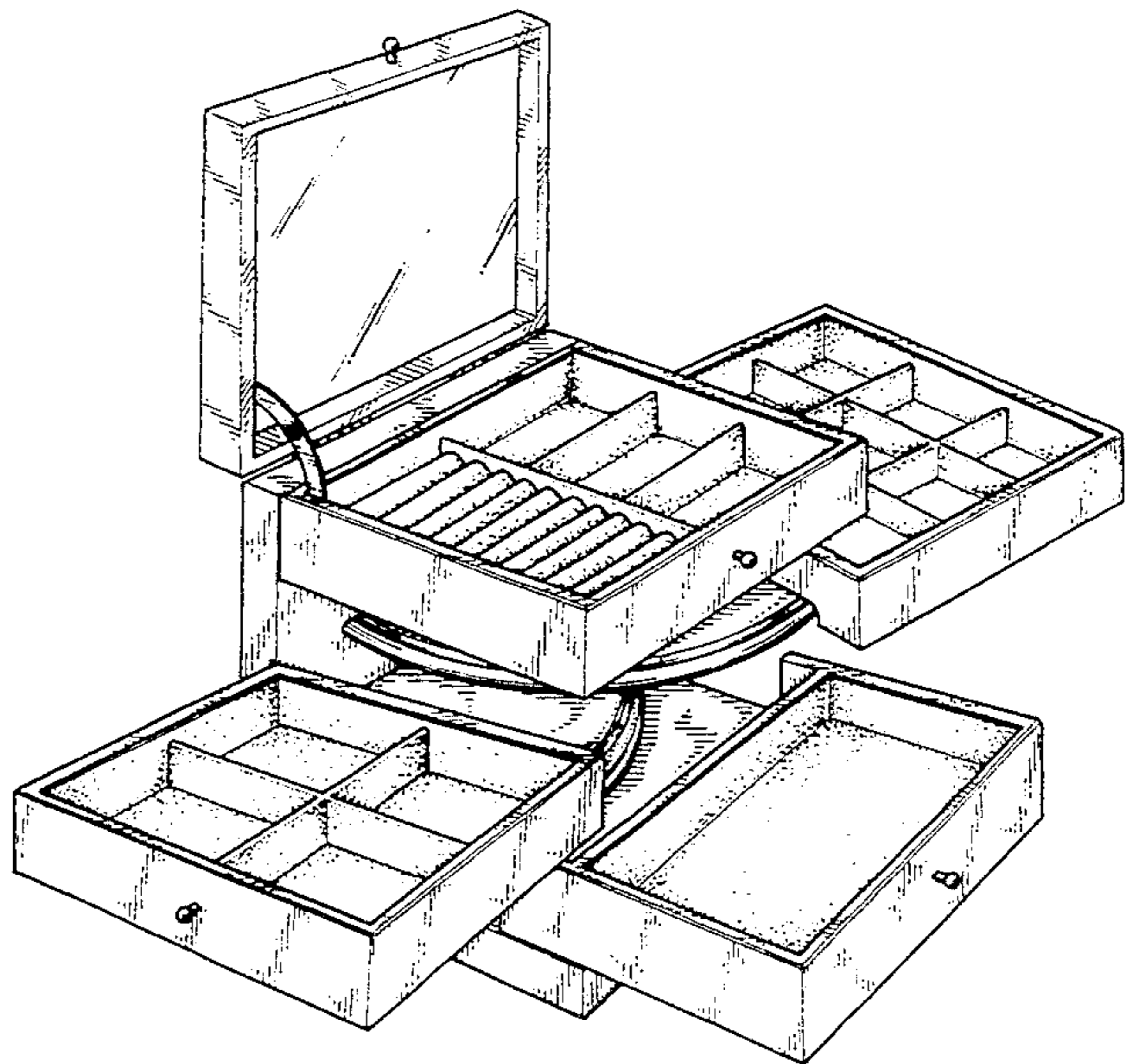
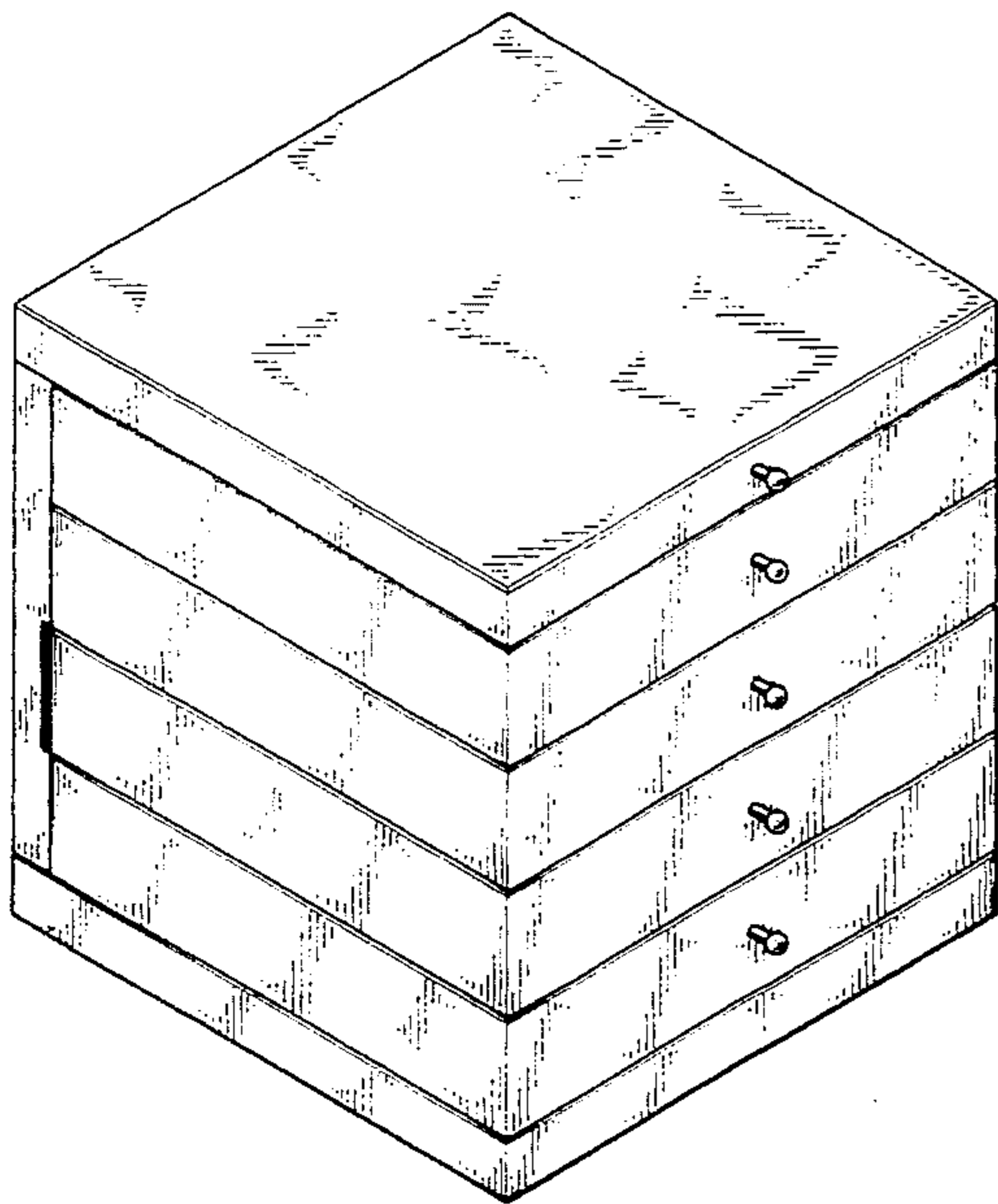
Primary Examiner—Ted Shooman
Assistant Examiner—Philip Hyder

[57] **CLAIM**

The ornamental design for a jewelry box, as shown.

DESCRIPTION

FIG. 1 is a perspective view;
 FIG. 2 is a front view;
 FIG. 3 is a rear view;
 FIG. 4 is a left view;
 FIG. 5 is a right view;
 FIG. 6 is a top view;
 FIG. 7 is a bottom view; and,
 FIG. 8 is a perspective view, shown in an open position.



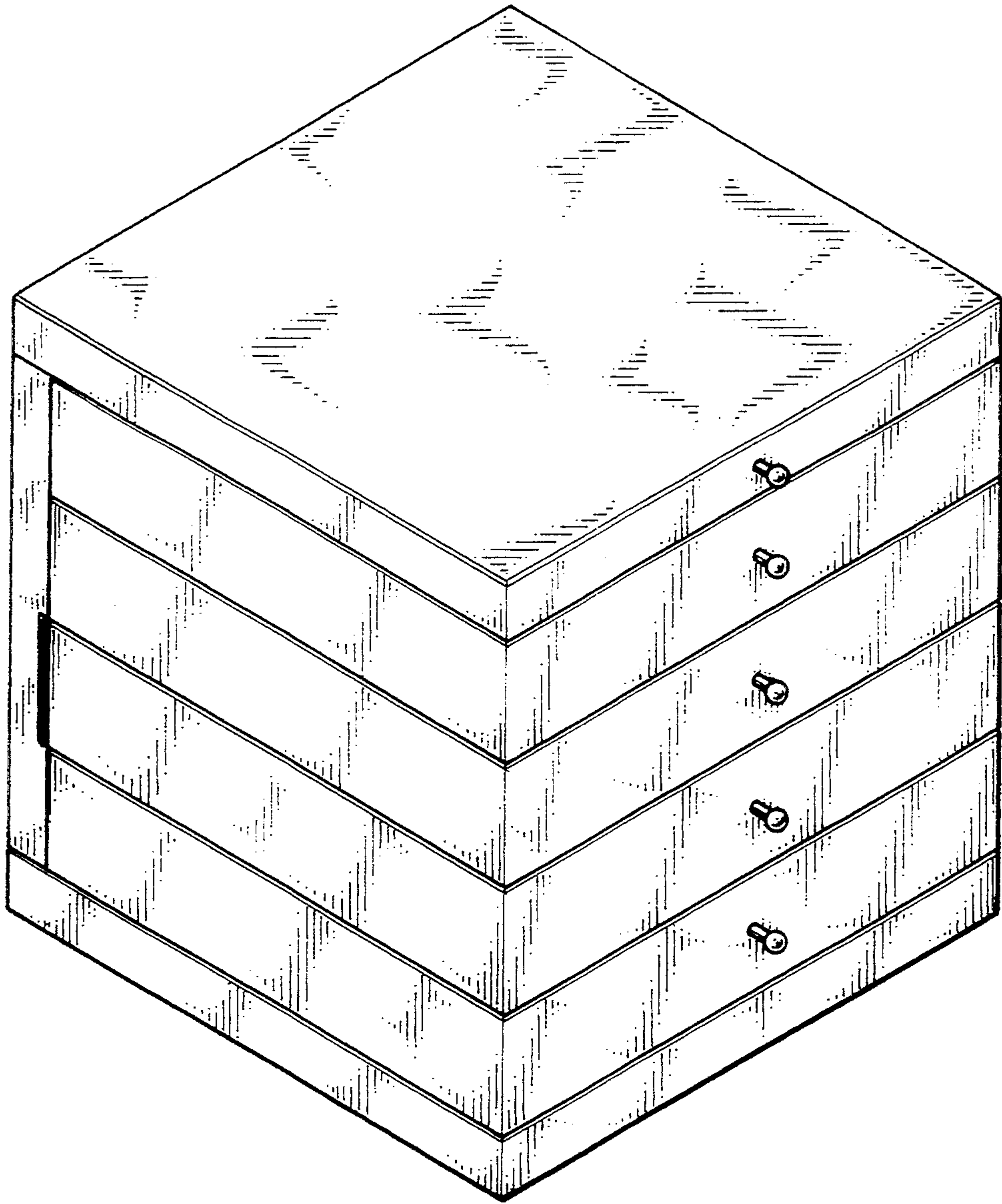


Fig. 1

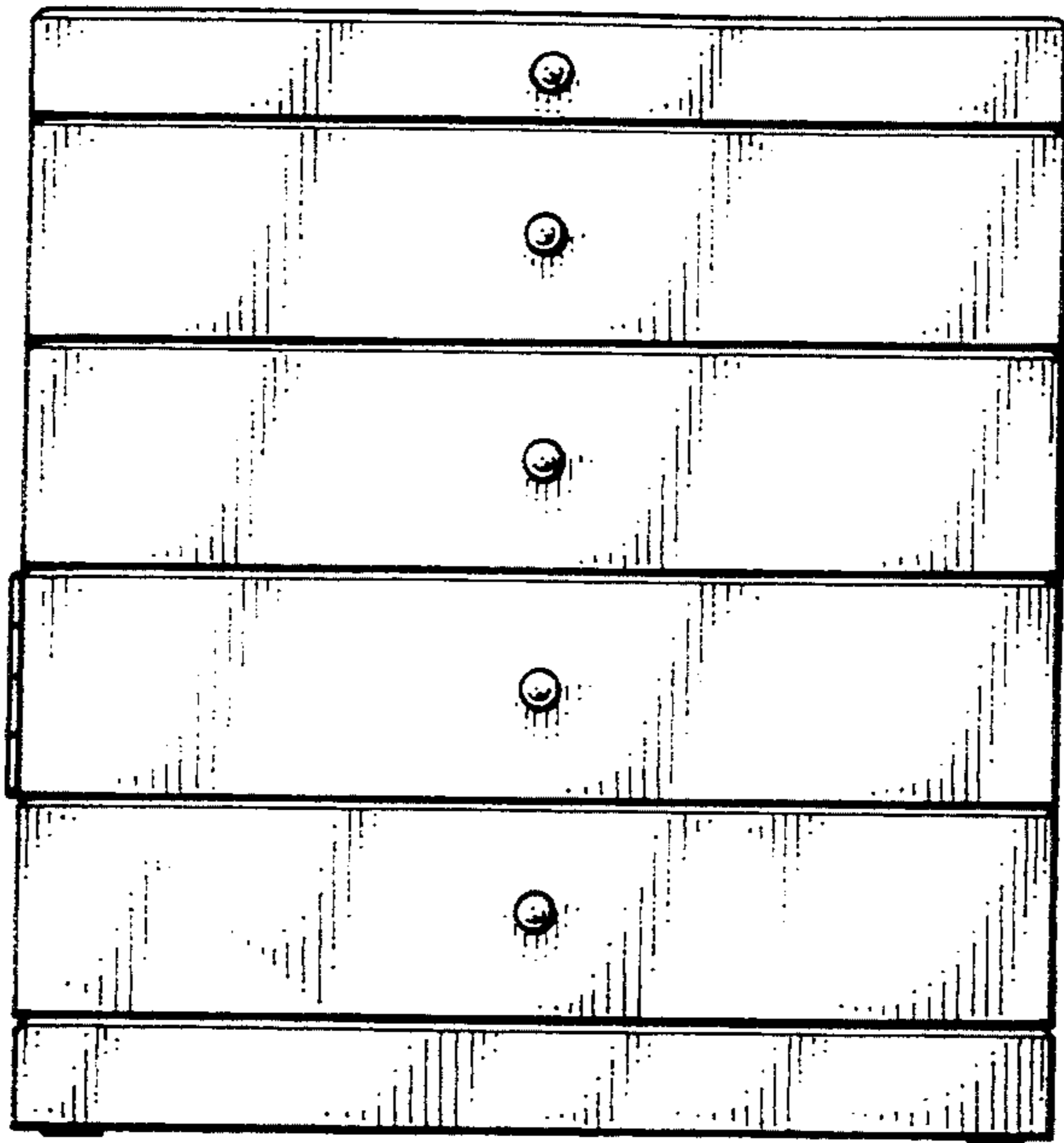


Fig. 2

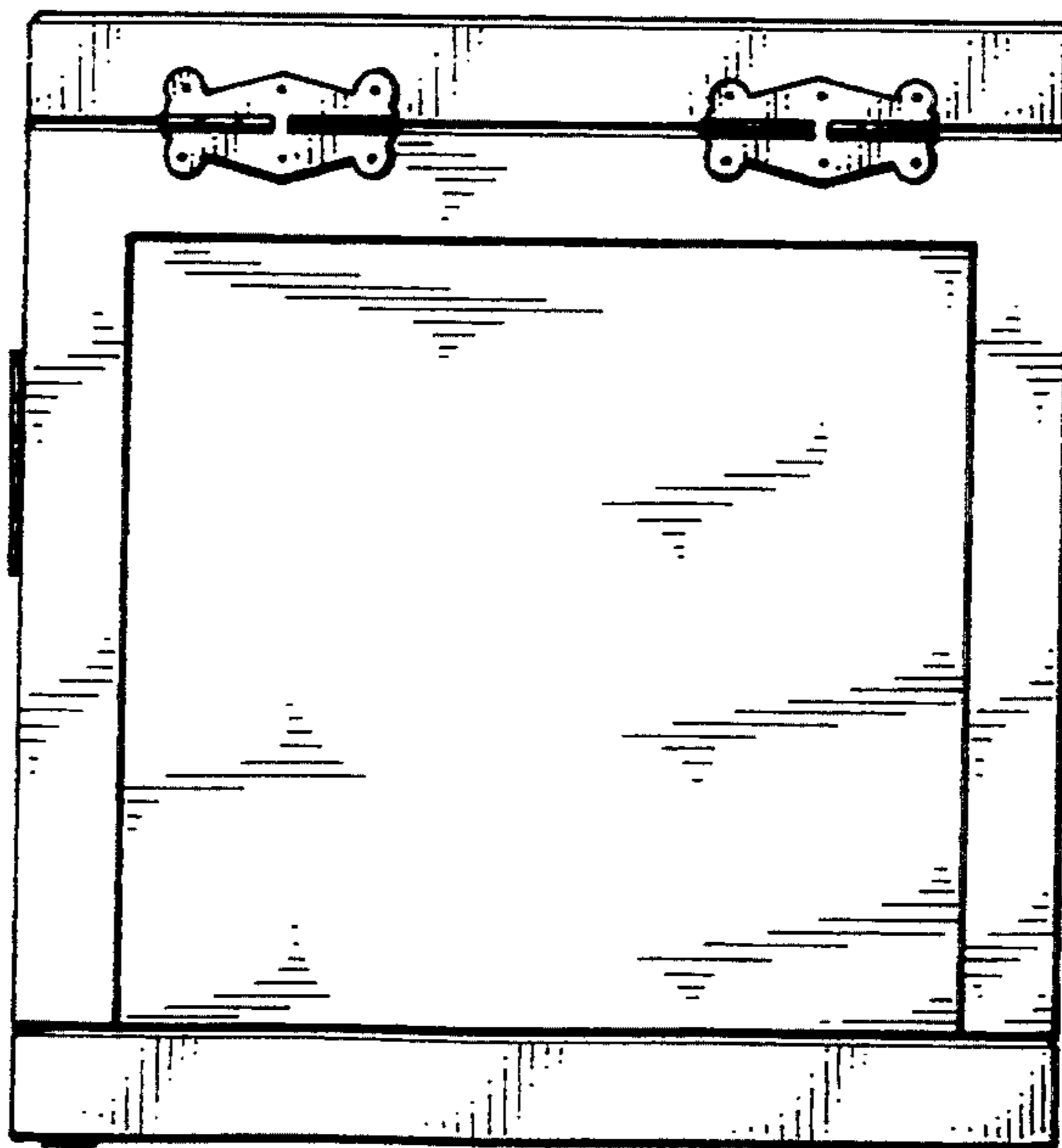


Fig. 3

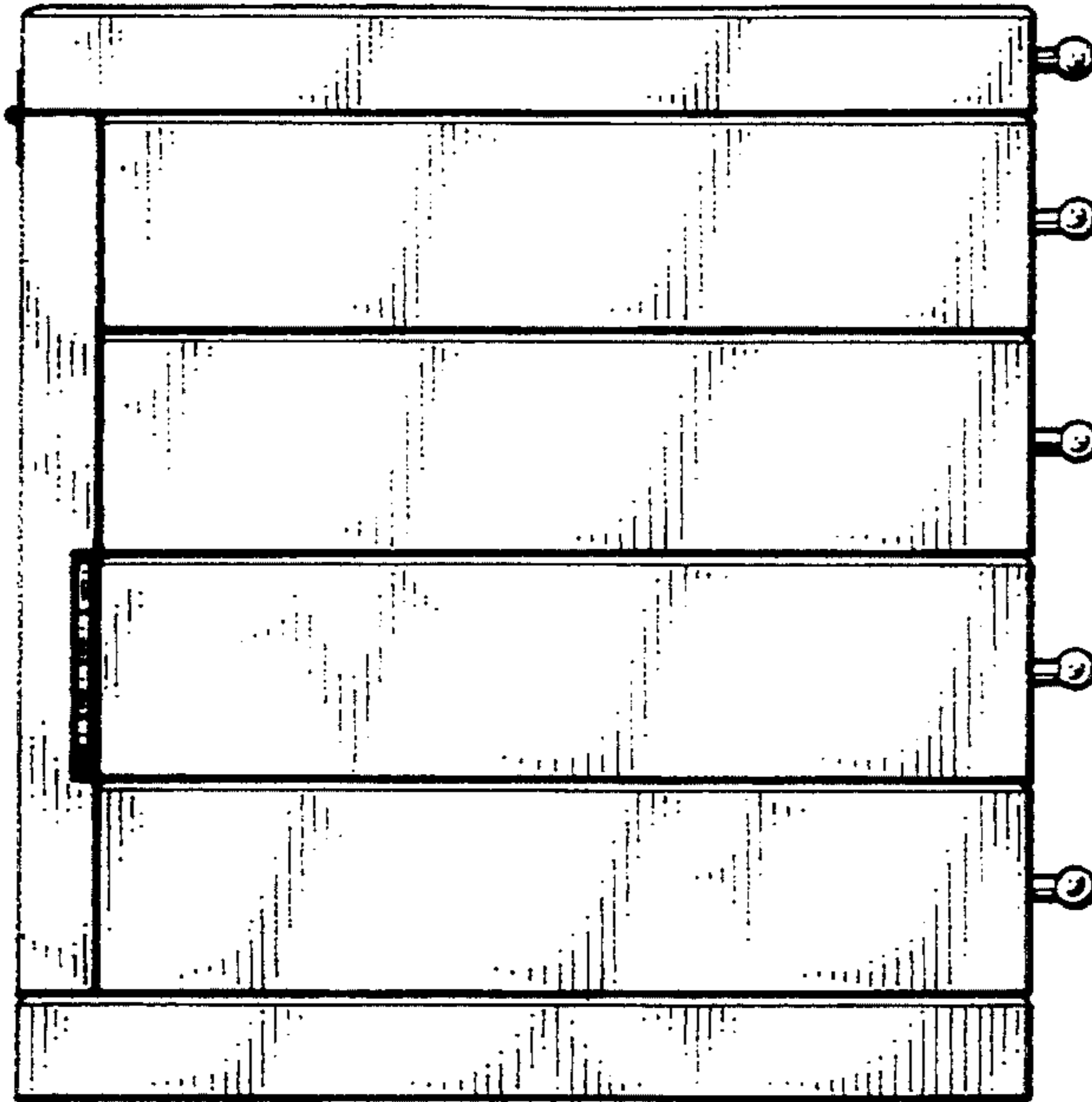


Fig. 4

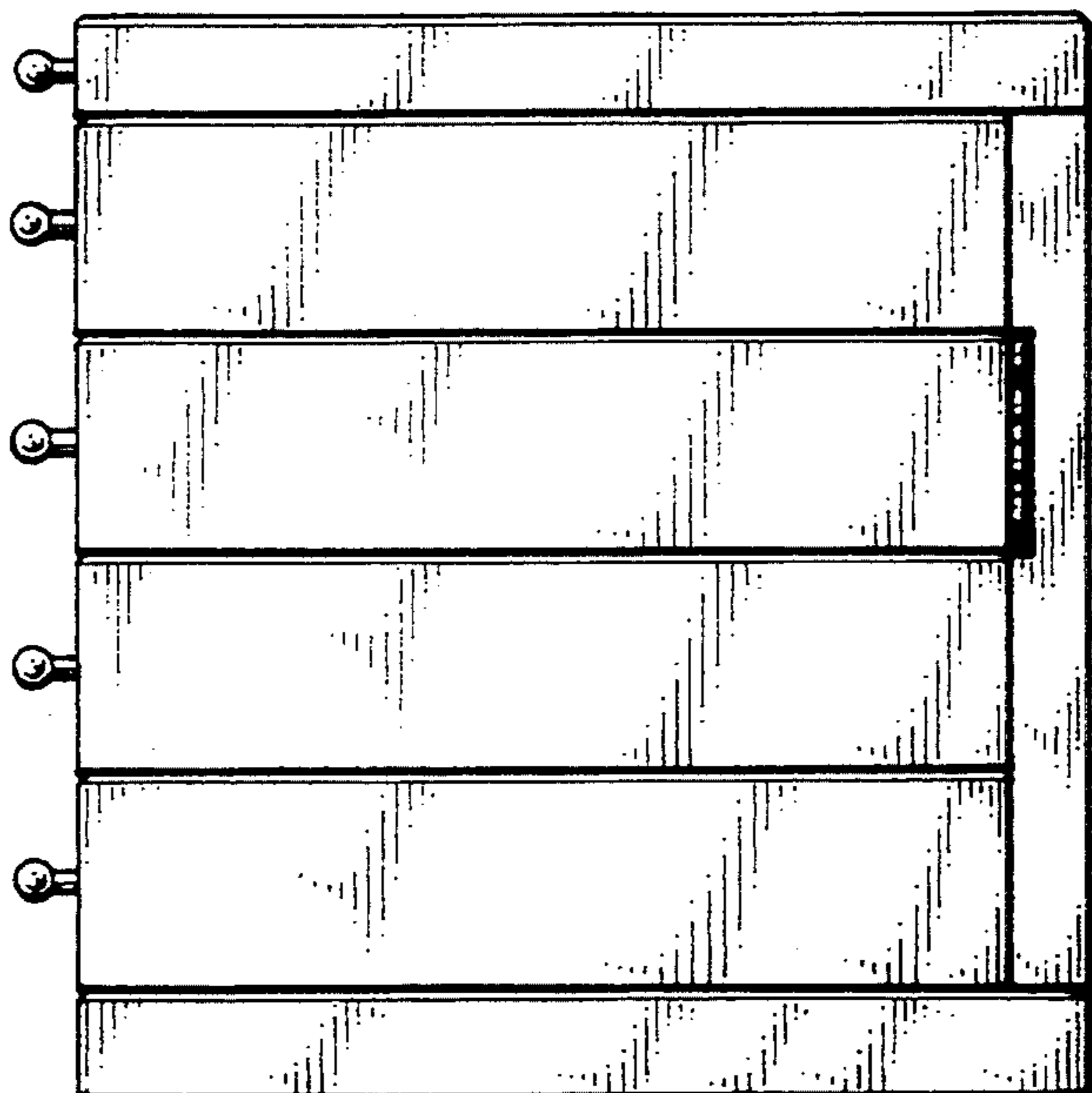


Fig. 5

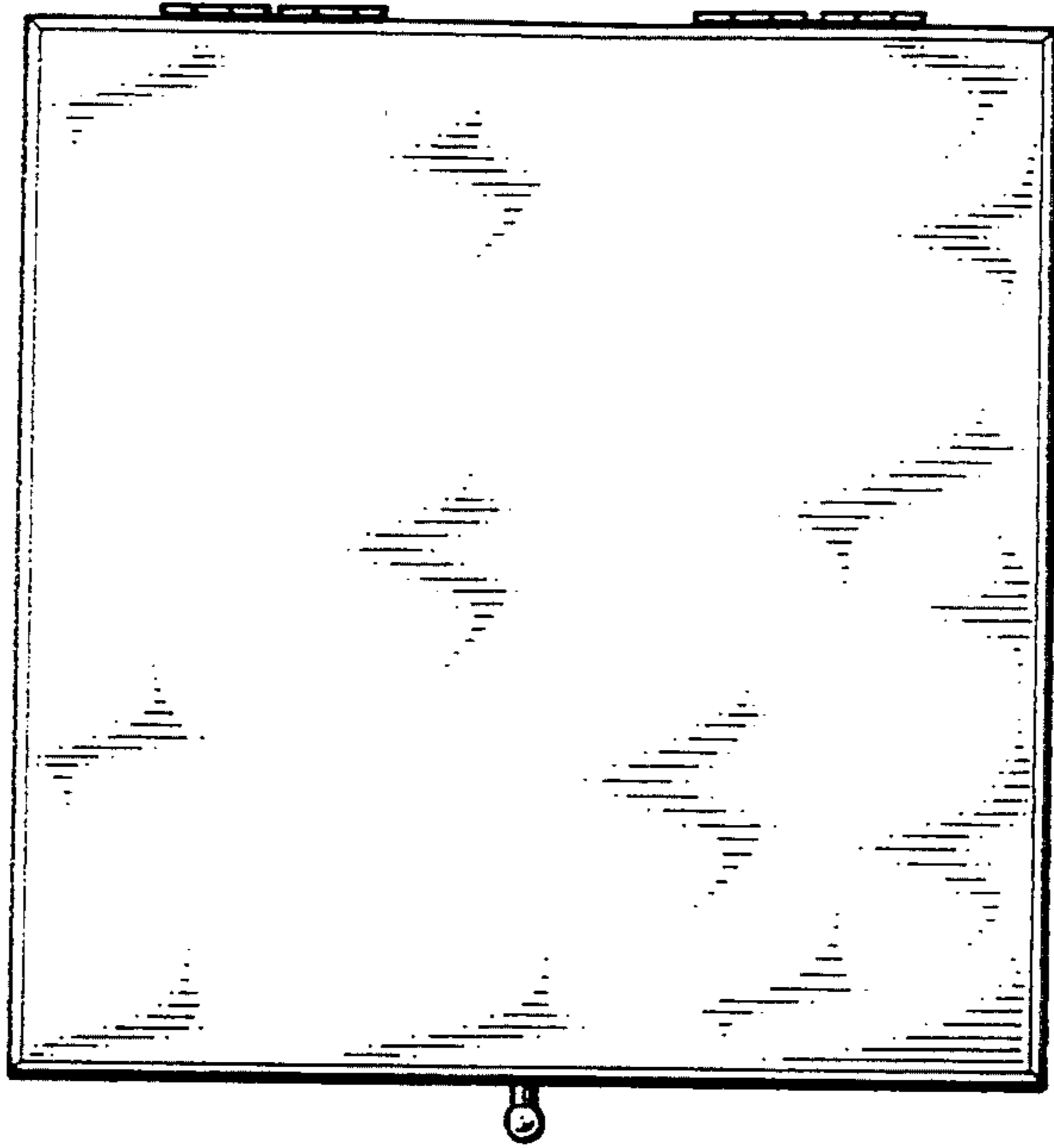


Fig. 6

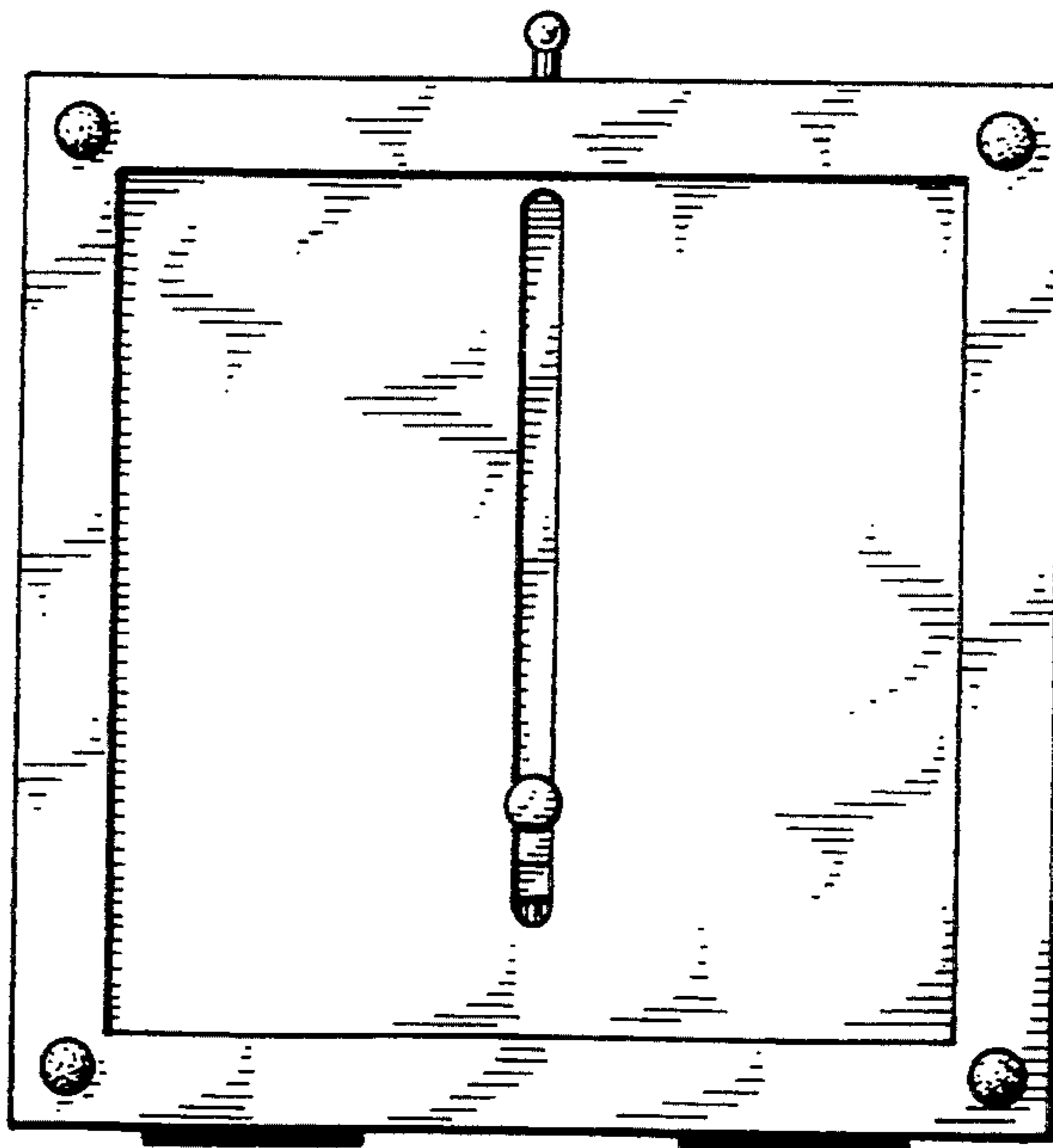


Fig. 7

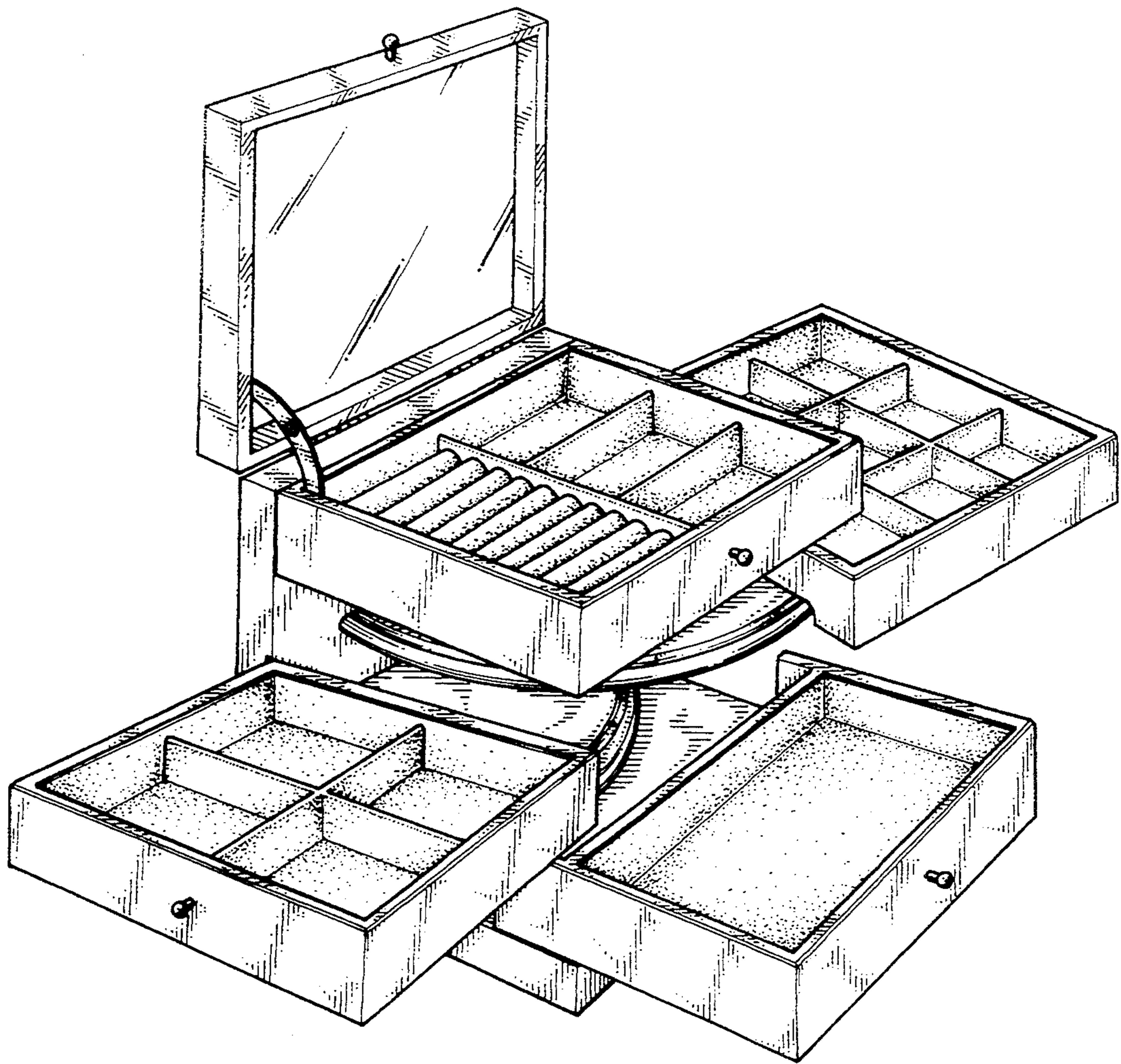


Fig. 8