



US00D361422S

United States Patent [19]

[11] Patent Number: **Des. 361,422**

Coates

[45] Date of Patent: **** Aug. 15, 1995**

[54] **HOSPITAL CART RECEPTACLE FOR DIAPERS OR THE LIKE**

Primary Examiner—Kay H. Chin
Attorney, Agent, or Firm—Lowe, Price LeBlanc & Becker

[76] Inventor: **Fredrica V. Coates**, 960 Madison Dr., Earleysville, Va. 22936

[57] **CLAIM**

[**] Term: **14 Years**

The ornamental design for a hospital cart receptacle for diapers or the like, as shown and described.

[21] Appl. No.: **19,389**

DESCRIPTION

[22] Filed: **Mar. 2, 1994**

[52] U.S. Cl. **D34/27; D12/133**

[58] Field of Search **D12/133, 128, 129, 130, D12/131, 132; 224/275, 42.46; D34/17, 12, 27**

FIG. 1 is a perspective view of a hospital cart receptacle for diapers showing my new design, the broken line illustration of a cart is for illustrative purposes only and form no part of the claimed design;
FIG. 2 is a top view of my design;
FIG. 3 is a bottom view thereof;
FIG. 4 is a side view thereof, the opposite side view being identical;
FIG. 5 is an end view thereof;
FIG. 6 is an opposite end view thereof; and,
FIG. 7 is a partial front view, with support strap positioned laterally.

[56] **References Cited**

U.S. PATENT DOCUMENTS

2,507,842	5/1950	Waddill	224/42.46 R
2,767,895	10/1956	Smith	224/275
2,853,219	9/1958	Schwartz	224/275
5,044,321	9/1991	Selph	224/275
5,048,849	9/1991	Mathews et al.	224/42.46 R

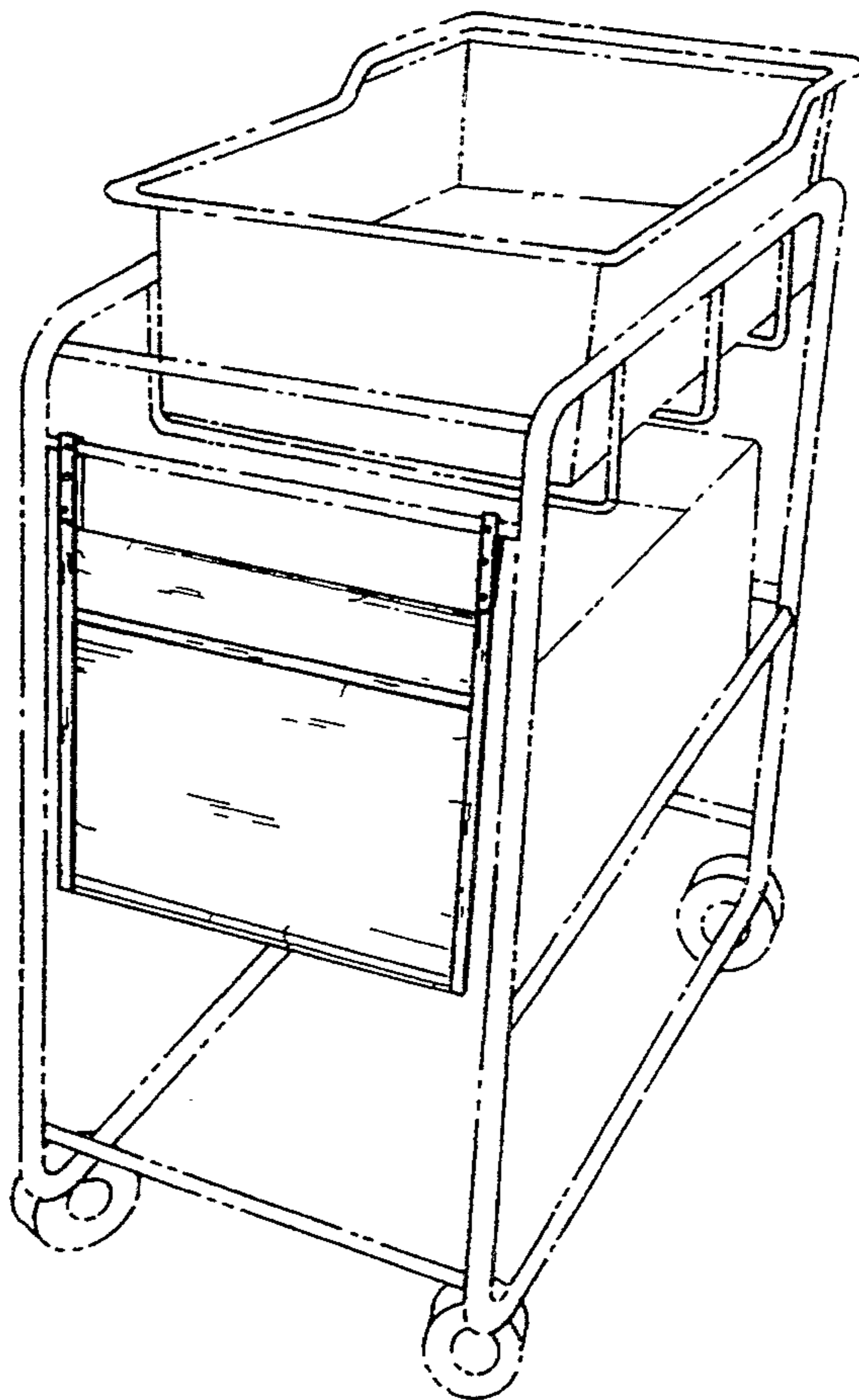


Fig. 1

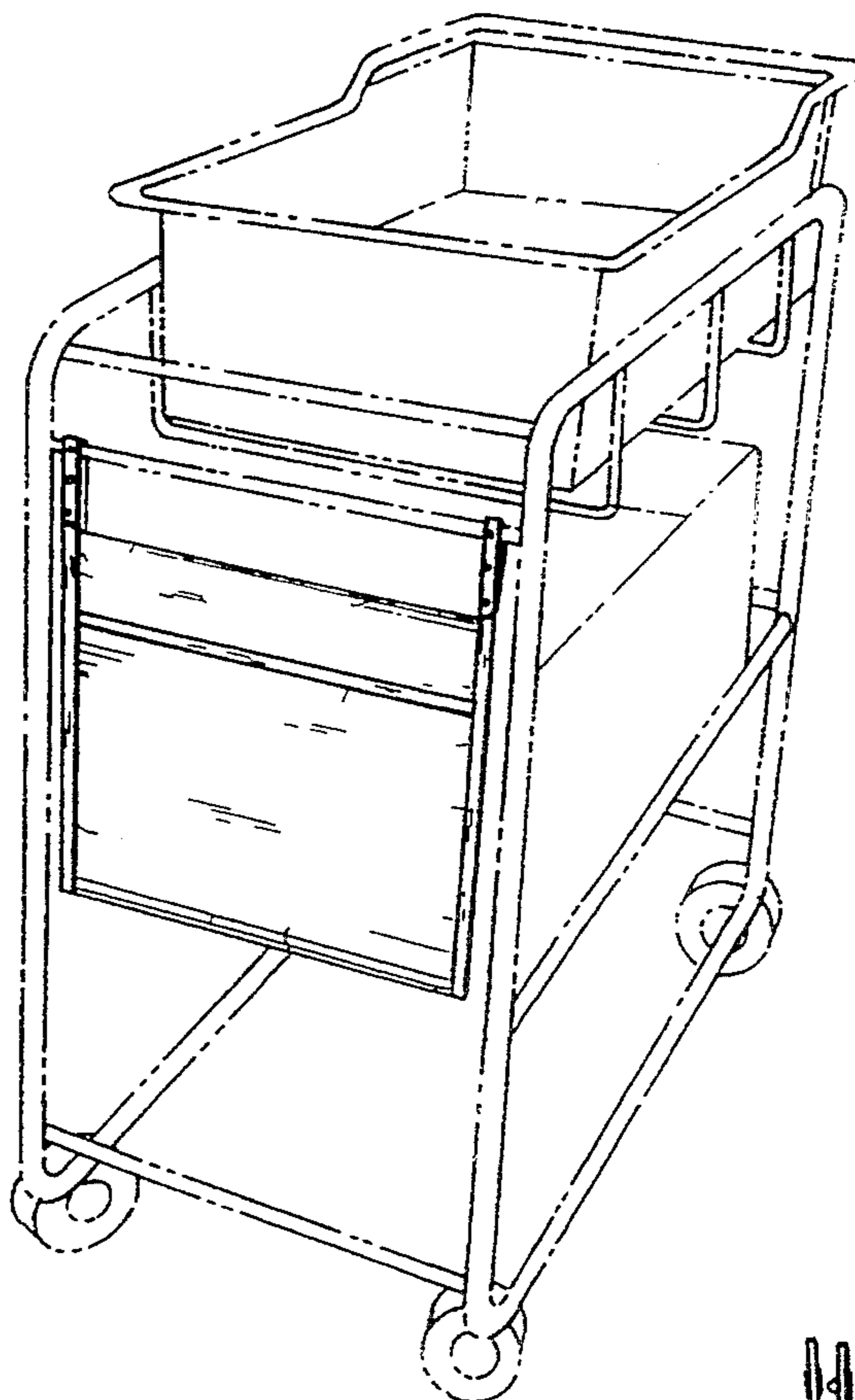


Fig. 2

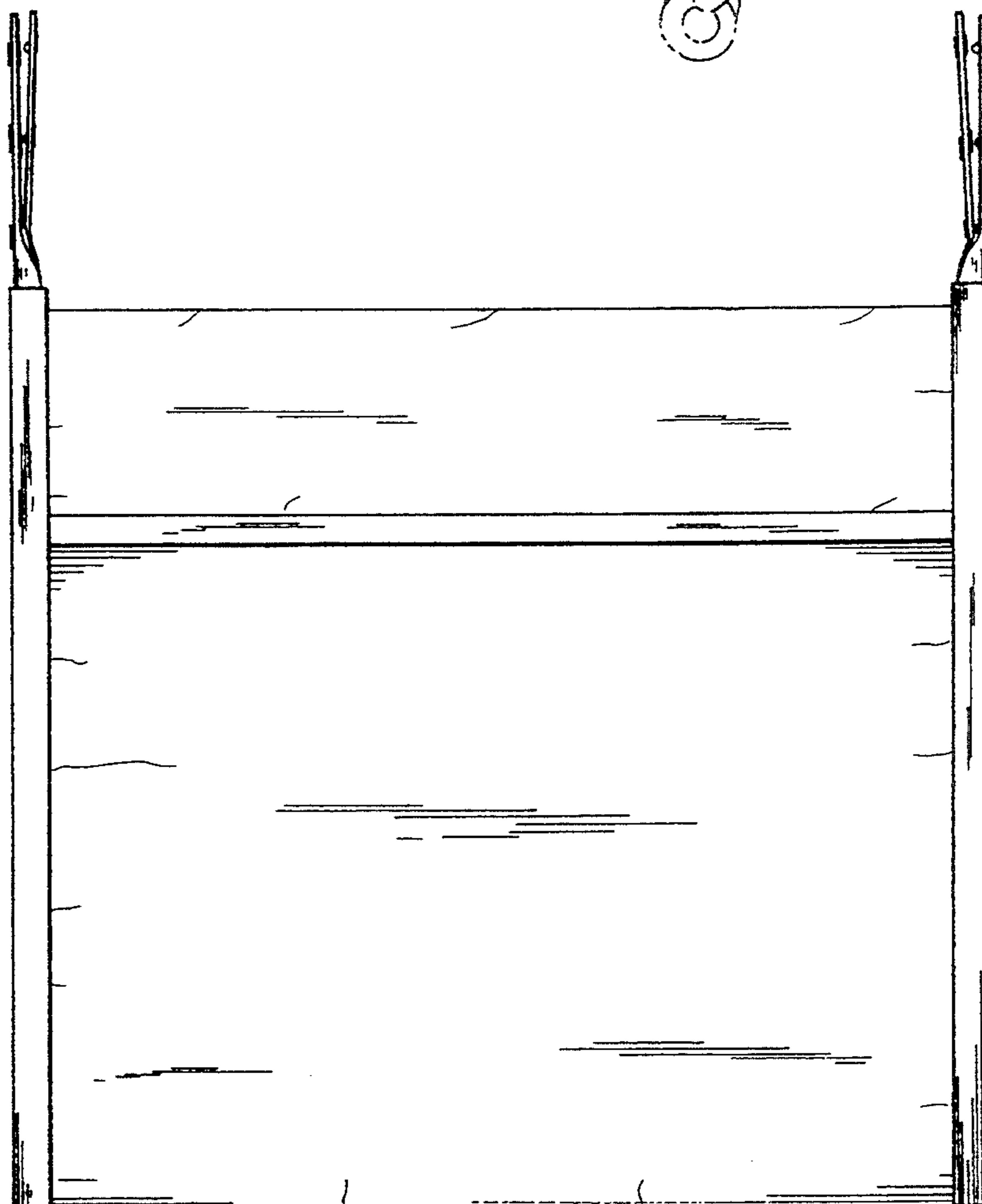




Fig. 3



Fig. 4

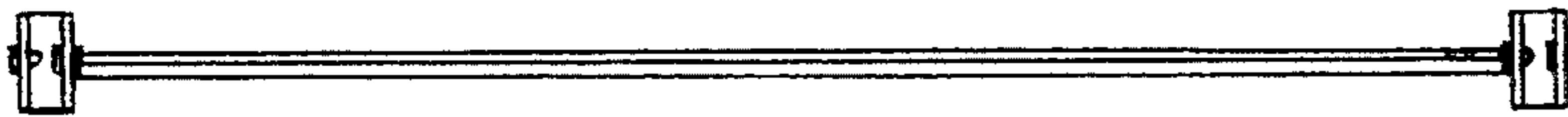


Fig. 5

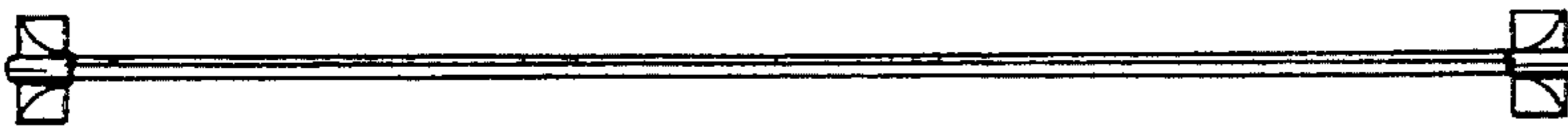


Fig. 6

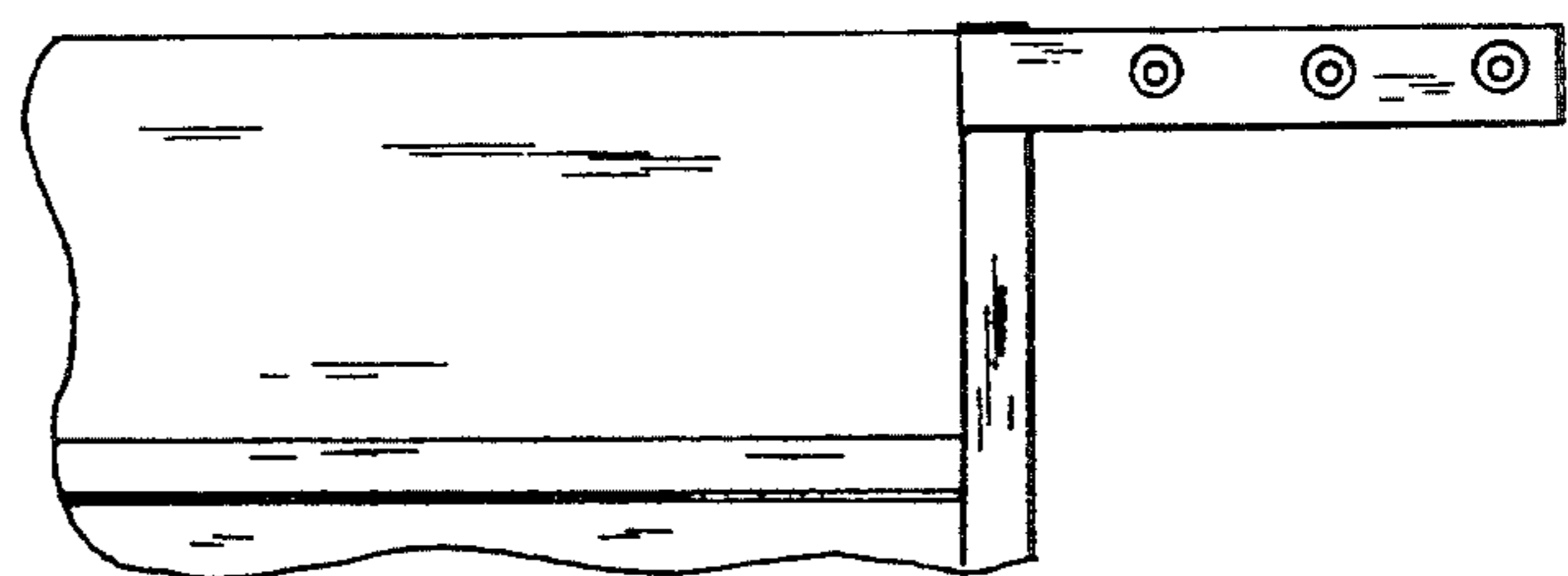


Fig. 7