



US00D361420S

# United States Patent [19]

[11] Patent Number: **Des. 361,420**

**Riek**

[45] Date of Patent: **\*\* Aug. 15, 1995**

[54] **CRAFTSMAN'S UTILITY CART**  
[75] Inventor: **Bob H. Riek**, Edmond, Okla.  
[73] Assignee: **Living Trust of Bob H. Riek**,  
Edmond, Okla.

4,119,044 10/1978 Hines ..... 108/27  
4,861,050 8/1989 Bergeron ..... 280/47.35  
4,989,291 2/1991 Parent ..... 15/315  
4,998,742 3/1991 Maynard ..... 280/35

[\*\*] Term: **14 Years**

### FOREIGN PATENT DOCUMENTS

[21] Appl. No.: **28,472**

2019457 12/1978 Germany ..... 211/133

[22] Filed: **Sep. 15, 1994**

*Primary Examiner*—Kay H. Chin  
*Attorney, Agent, or Firm*—Dennis T. Griggs

[52] U.S. Cl. .... **D34/21; D34/17;**  
**D6/474**

### [57] CLAIM

[58] Field of Search ..... **D34/17, 19, 20, 21;**  
**D6/474, 460, 461; 280/47.35, 79.11, 79.3;**  
**211/133**

The ornamental design for a craftsman's utility cart, as shown and described.

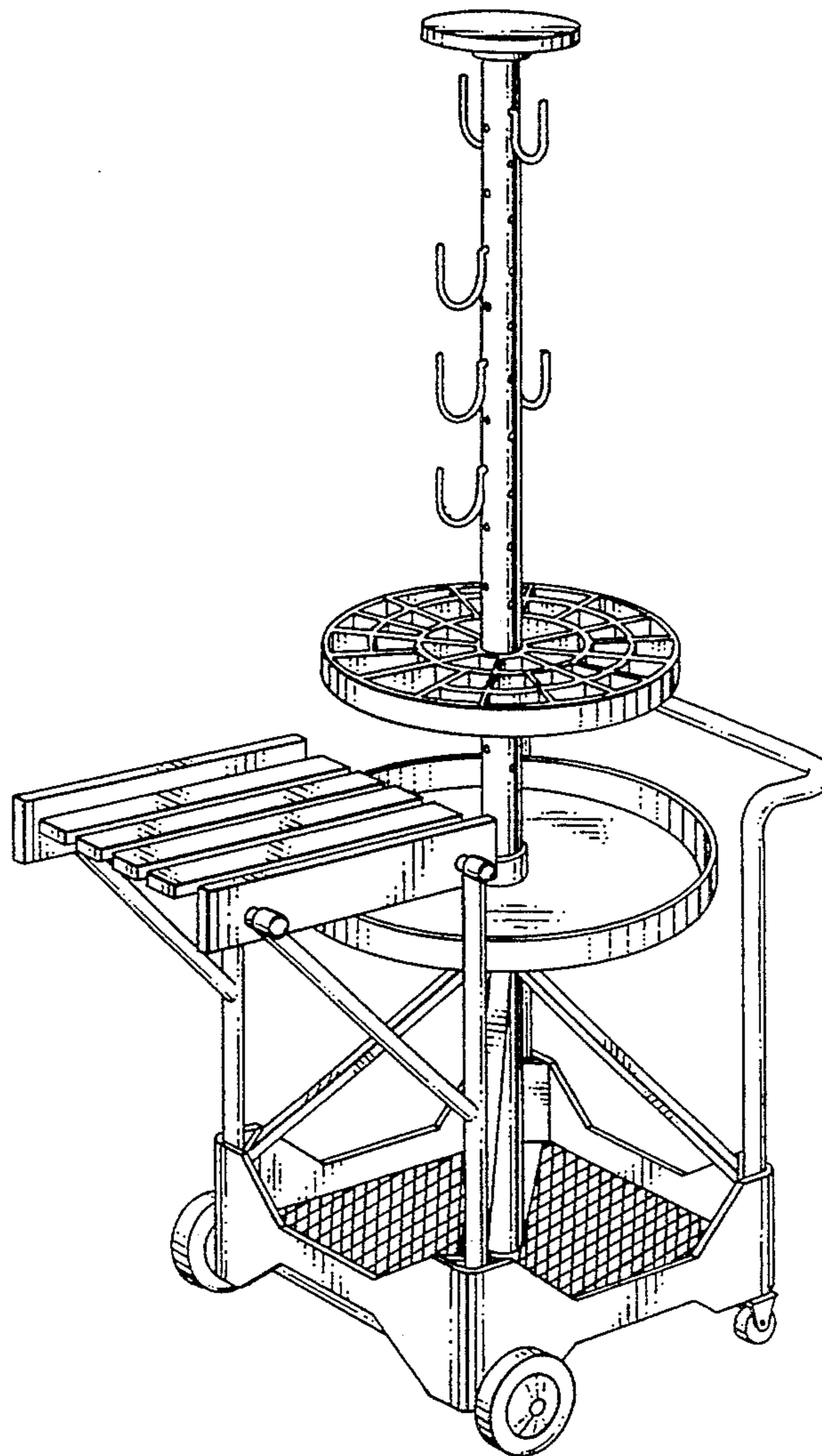
### DESCRIPTION

### [56] References Cited

#### U.S. PATENT DOCUMENTS

D. 302,889 8/1989 Goodwin ..... D34/20  
3,162,462 12/1964 Elders ..... 280/47.35  
3,971,568 7/1976 Wright ..... 280/33.99  
4,020,959 5/1977 Livesay ..... 214/84

FIG. 1 is a perspective view of a craftsman's utility cart showing my new design;  
FIG. 2 is a left side elevational view thereof;  
FIG. 3 is a front elevational view thereof;  
FIG. 4 is a rear elevational view thereof;  
FIG. 5 is a top plan view thereof; and,  
FIG. 6 is a bottom plan view thereof.



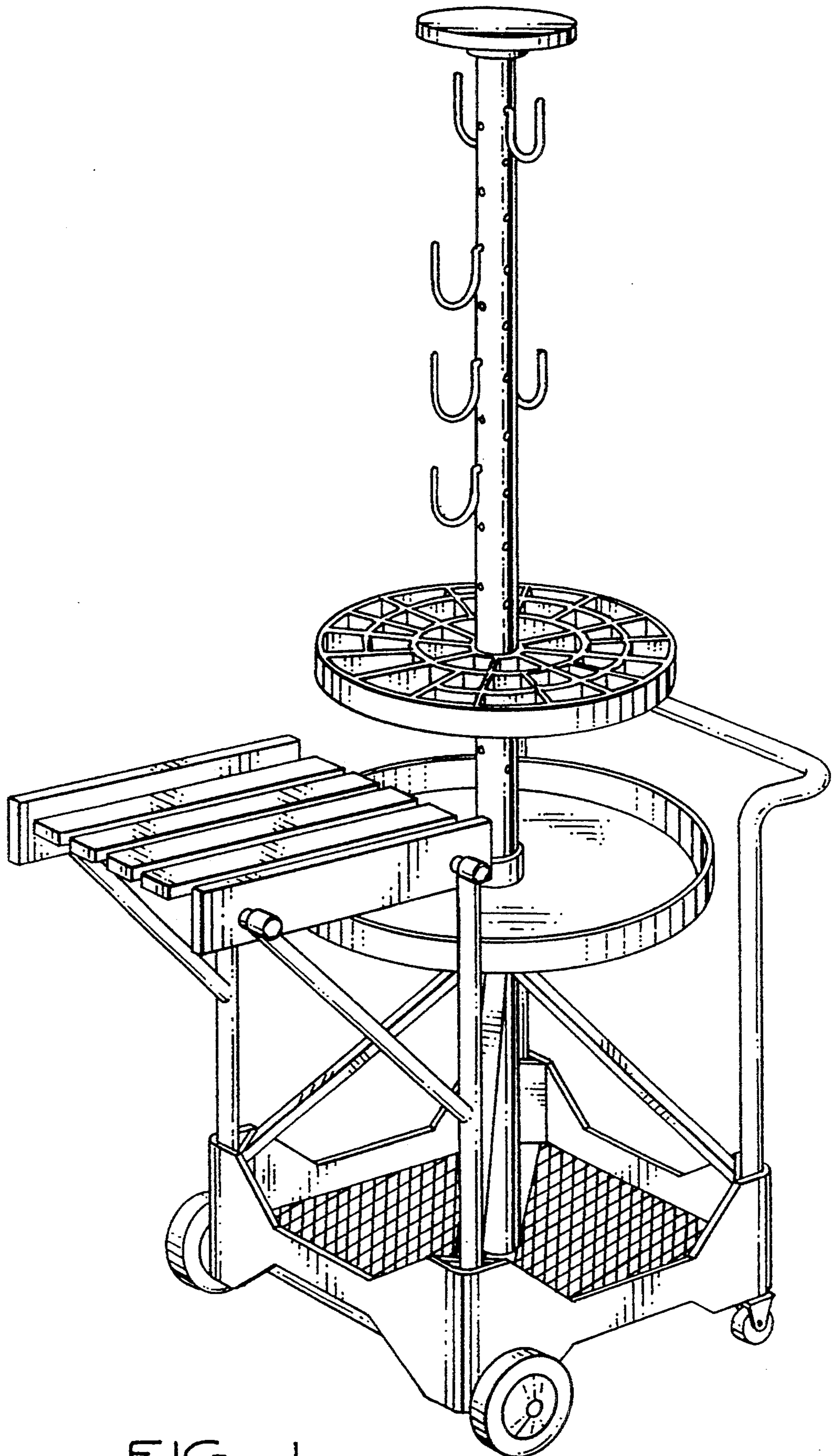


FIG. 1

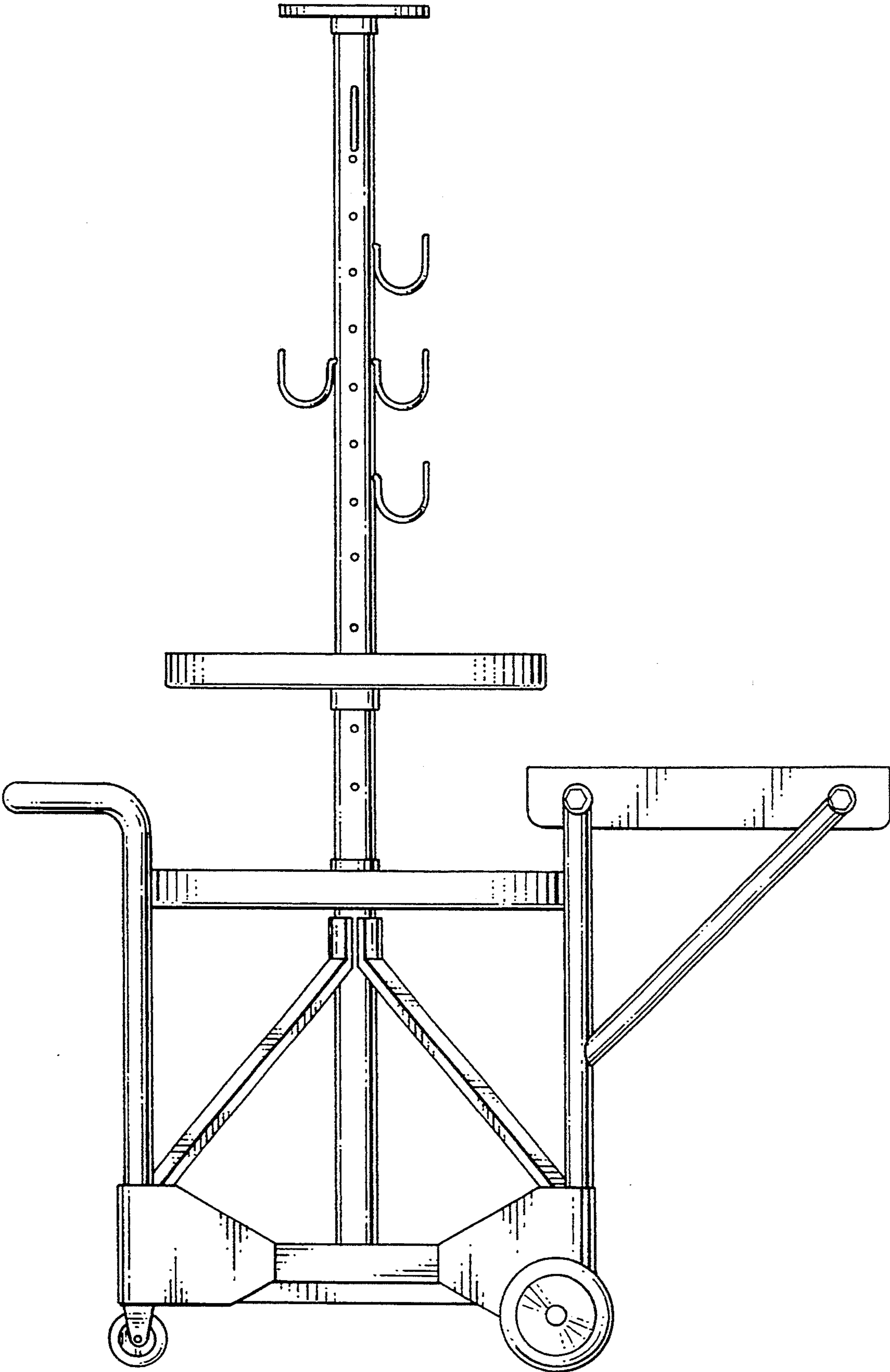


FIG. 2

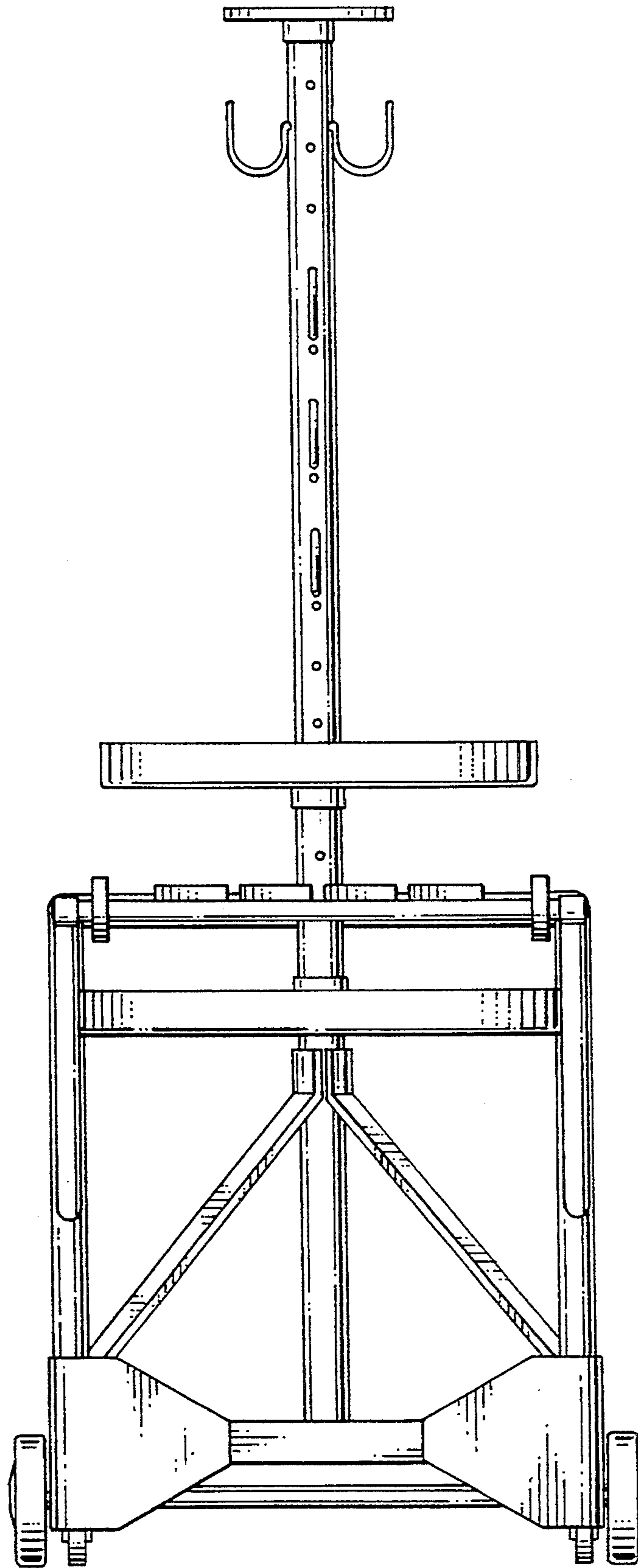


FIG. 3

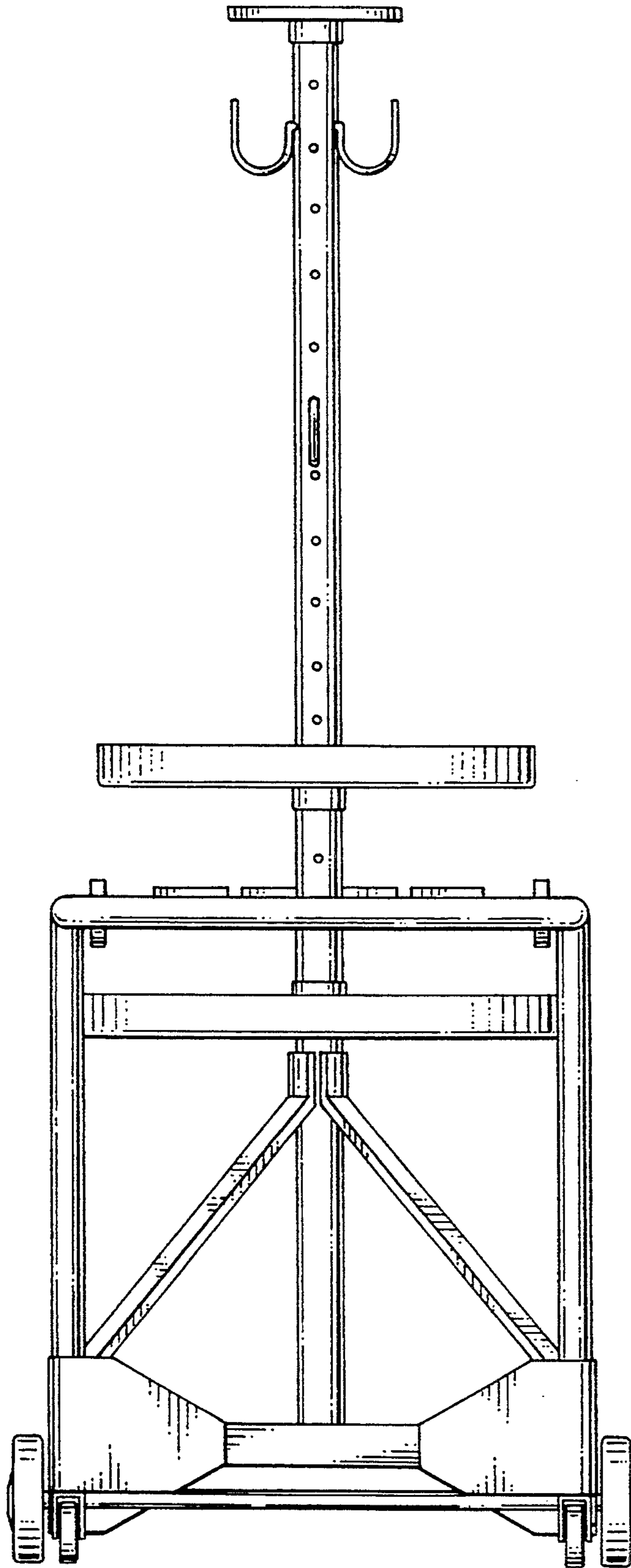


FIG. 4

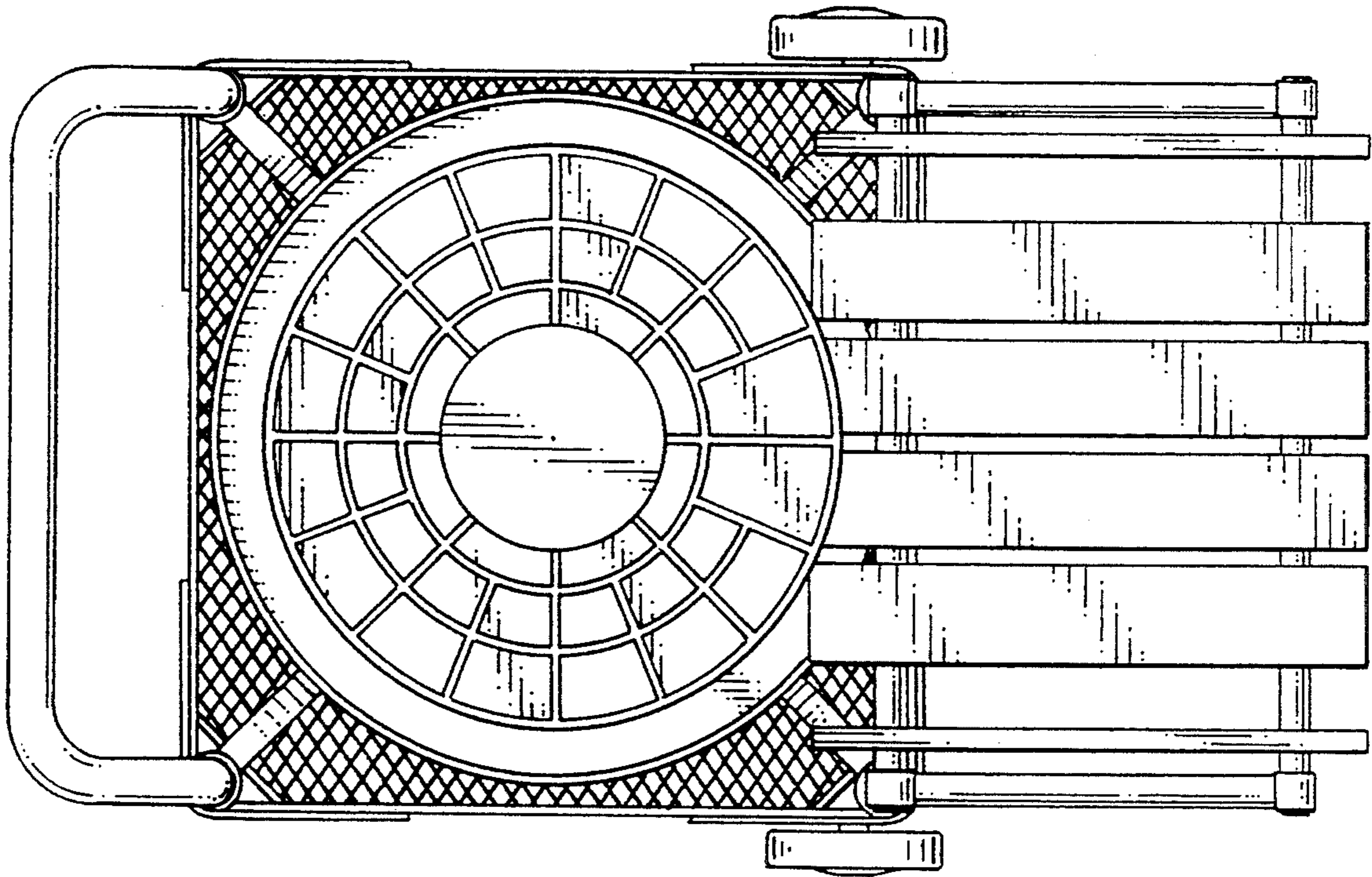


FIG. 5

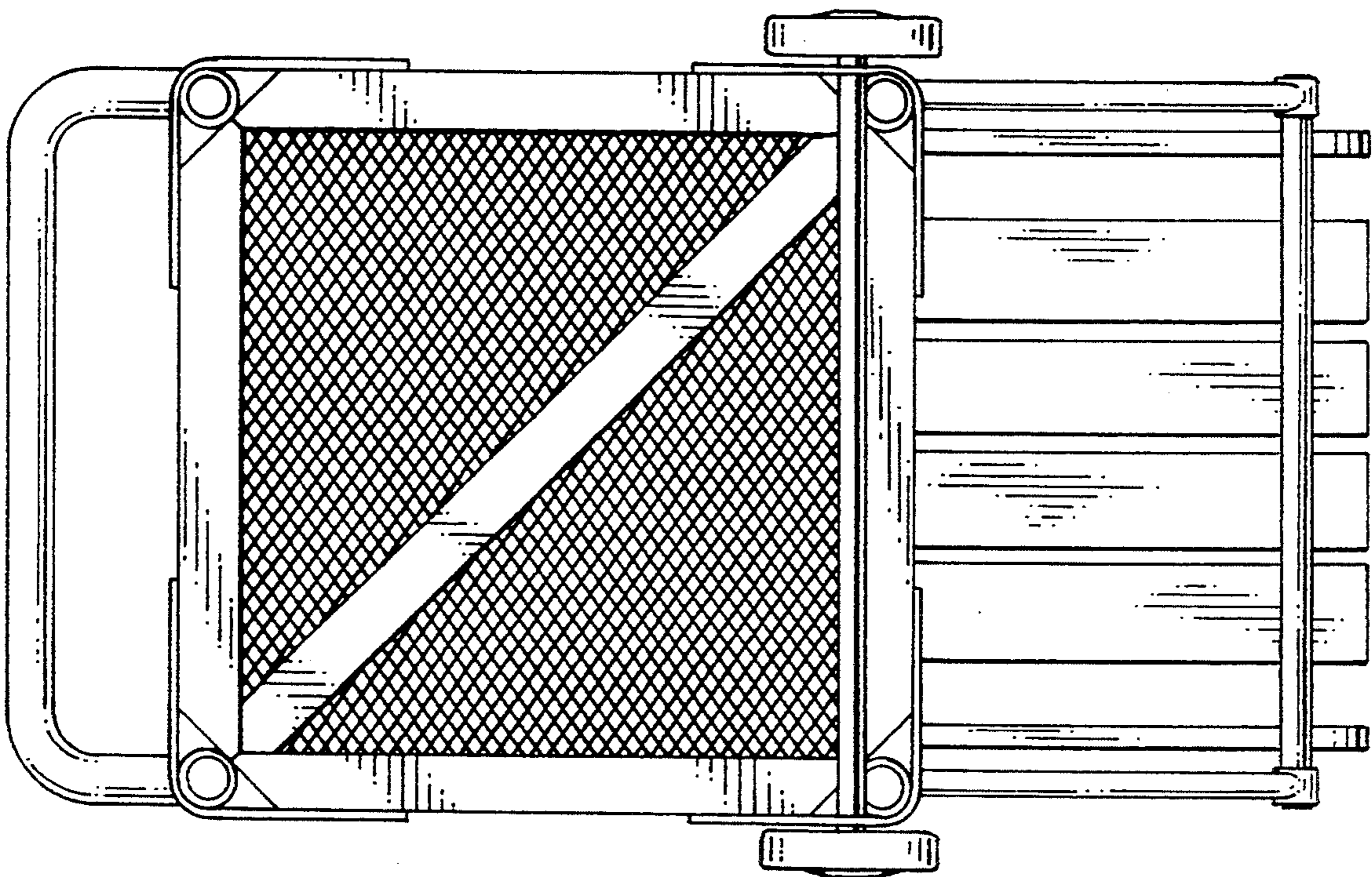


FIG. 6