



US00D361418S

United States Patent [19]

[11] Patent Number: **Des. 361,418**

Smith

[45] Date of Patent: **** Aug. 15, 1995**

[54] **BEACH WAGON**

[57] **CLAIM**

[76] Inventor: **Scott R. H. Smith**, 330 M N.
Stonestreet Ave., Rockville, Md.
20850

The ornamental design for a beach wagon, as shown and described.

[**] Term: **14 Years**

DESCRIPTION

[21] Appl. No.: **22,909**

FIG. 1 is a right side elevational view of a beach wagon showing my new design, with the foldable pulling handle thereof in the folded position and the upper two of four foldable hooks on the right side thereof shown in the unfolded positions thereof;

[22] Filed: **May 16, 1994**

FIG. 2 is a front elevational view thereof, with the left side fold-down table thereof shown in the folded-down position thereof;

[52] U.S. Cl. **D34/19; D34/17**

[58] Field of Search **D34/12, 24, 25, 26, D34/17, 19; 280/641, 47.26, 47.27, 79.2, 47.34**

FIG. 3 is a top plan view thereof, with the handle thereof shown in the unfolded position thereof;

[56] References Cited

U.S. PATENT DOCUMENTS

4,846,493	7/1989	Mason	280/641
5,178,244	1/1993	Liang	280/47.26
5,259,215	11/1993	Rocca	280/47.26
5,313,817	5/1994	Meinders	280/47.26

FIG. 4 is a left side elevational view thereof, with the fold-down table thereof shown in the folded-up position thereof;

FIG. 5 is a rear elevational view thereof;

FIG. 6 is a bottom plan view thereof;

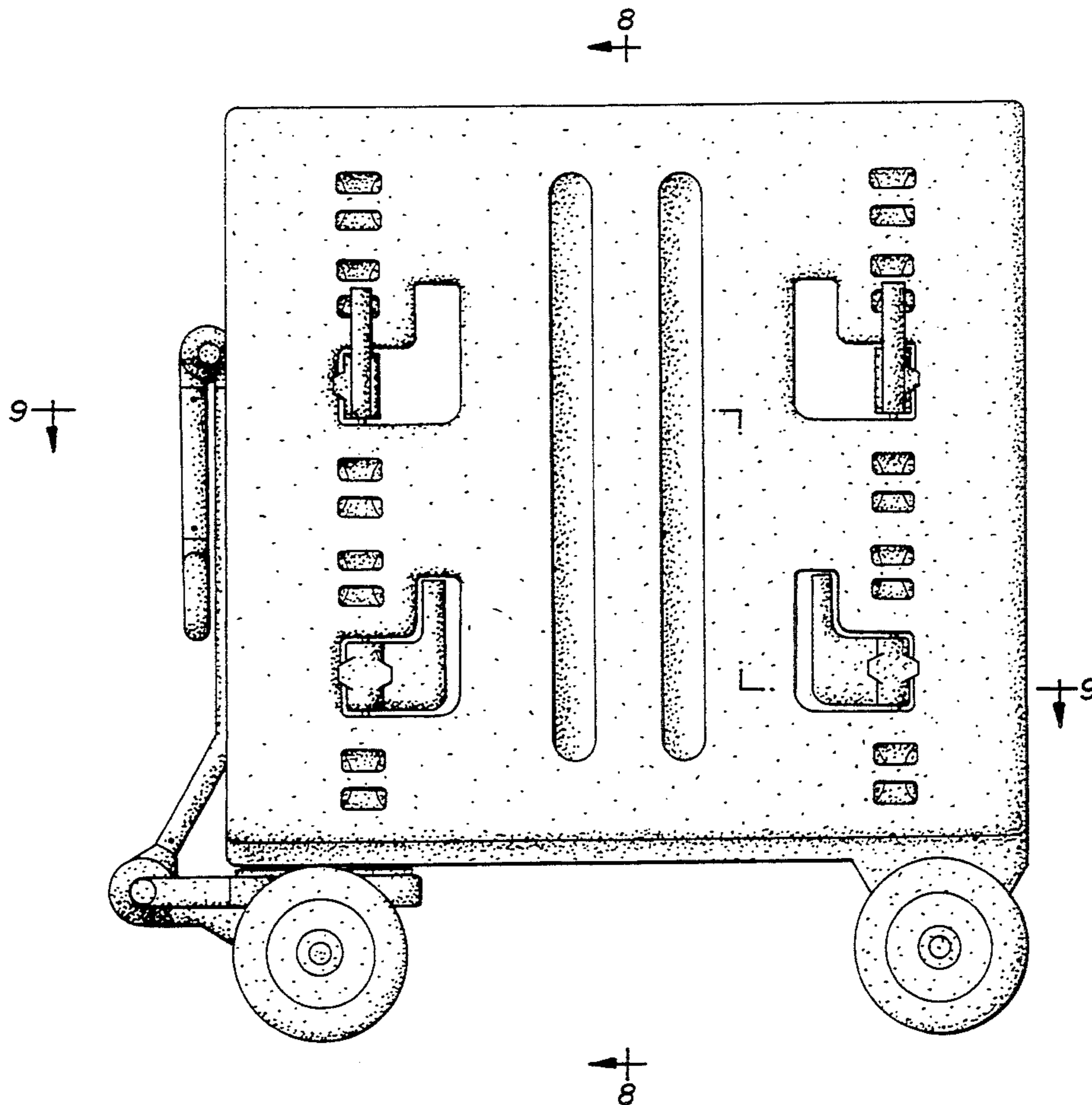
FIG. 7 is a longitudinal vertical cross-sectional view thereof on line 7—7 of FIG. 2;

FIG. 8 is a transverse vertical cross-sectional view thereof on line 8—8 of FIG. 1; and,

FIG. 9 is a horizontal cross-sectional view thereof on line 9—9 of FIG. 1.

Primary Examiner—**Kay H. Chin**

Attorney, Agent, or Firm—**Cushman Darby & Cushman**



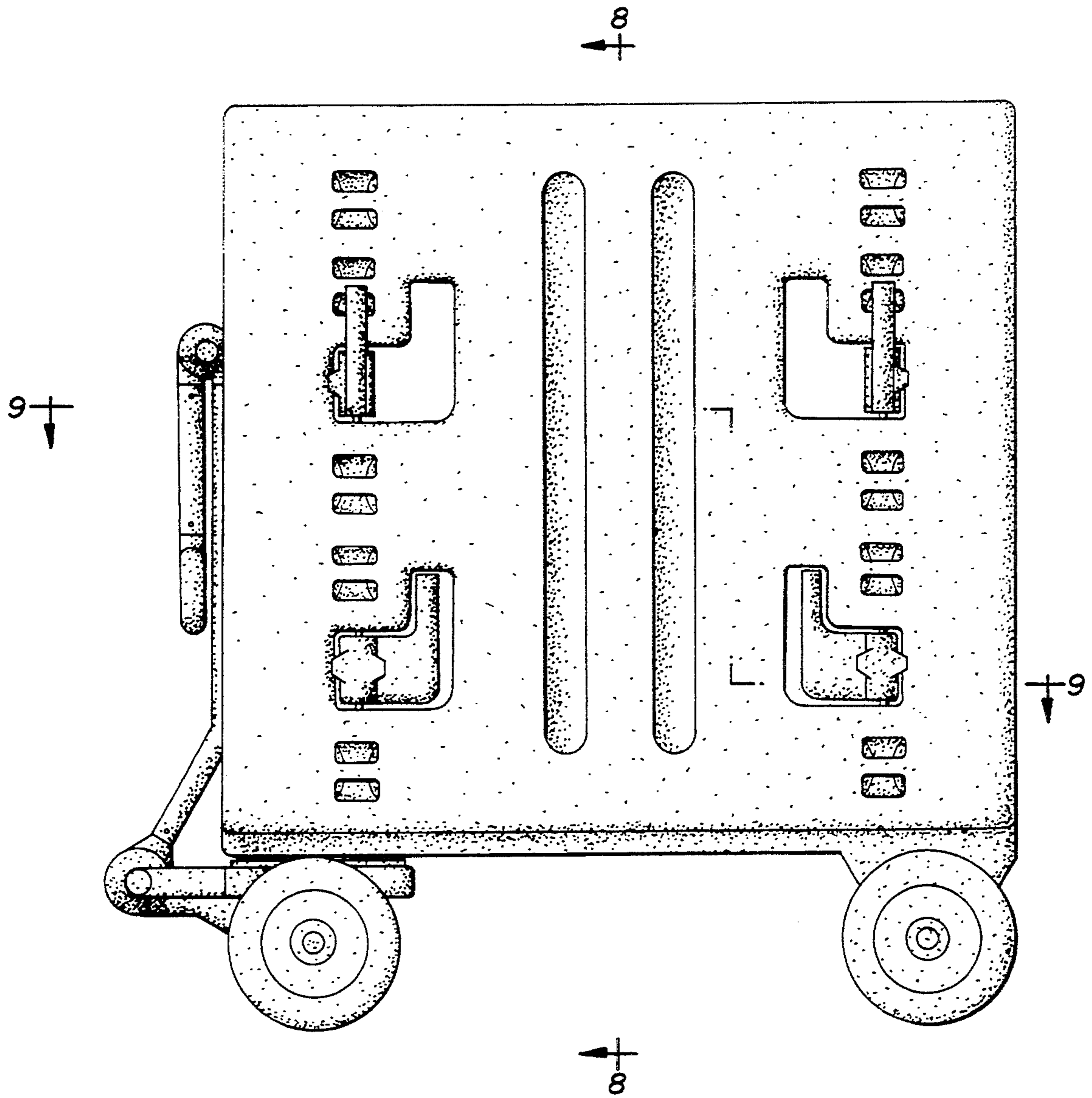


FIG. 1

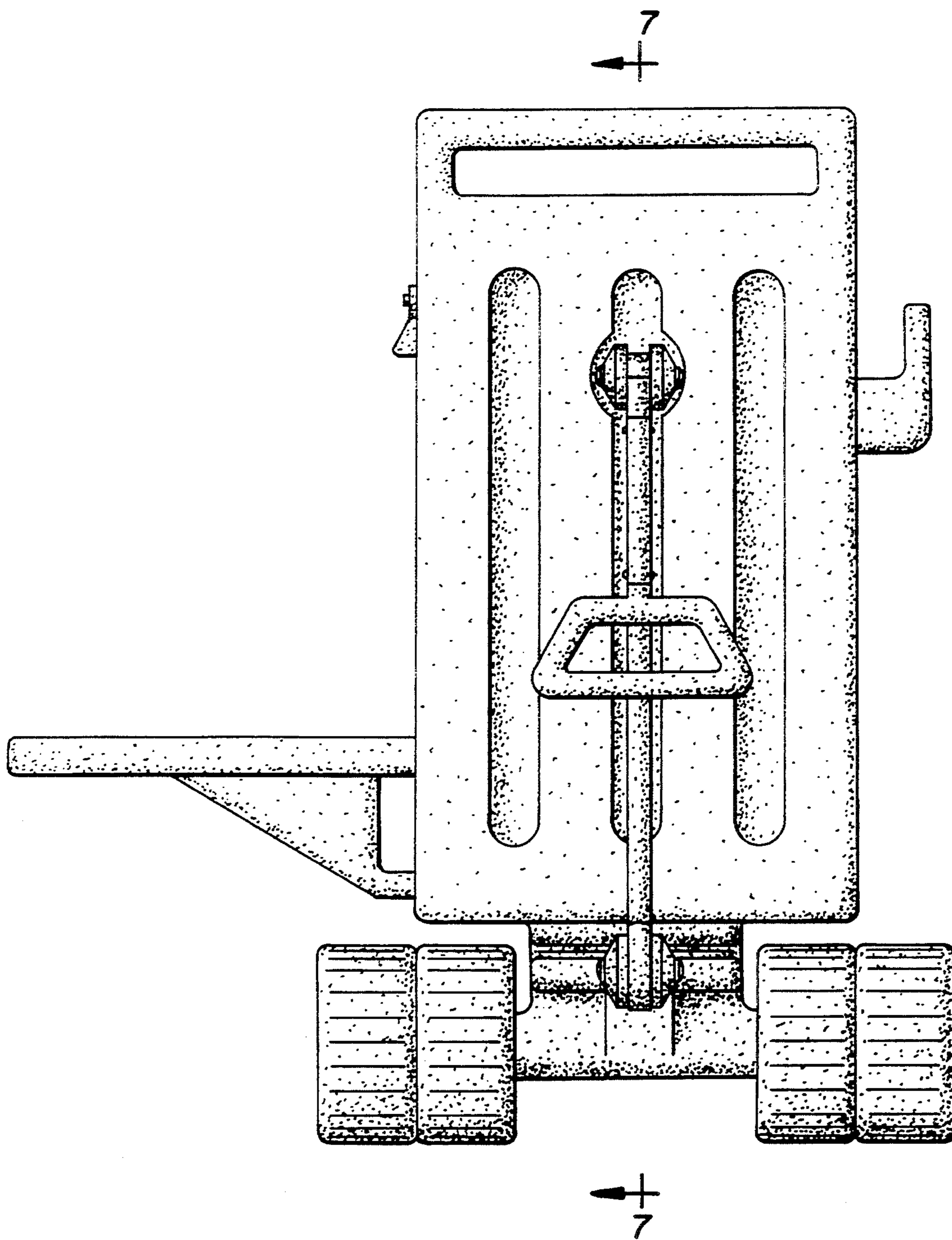


FIG. 2

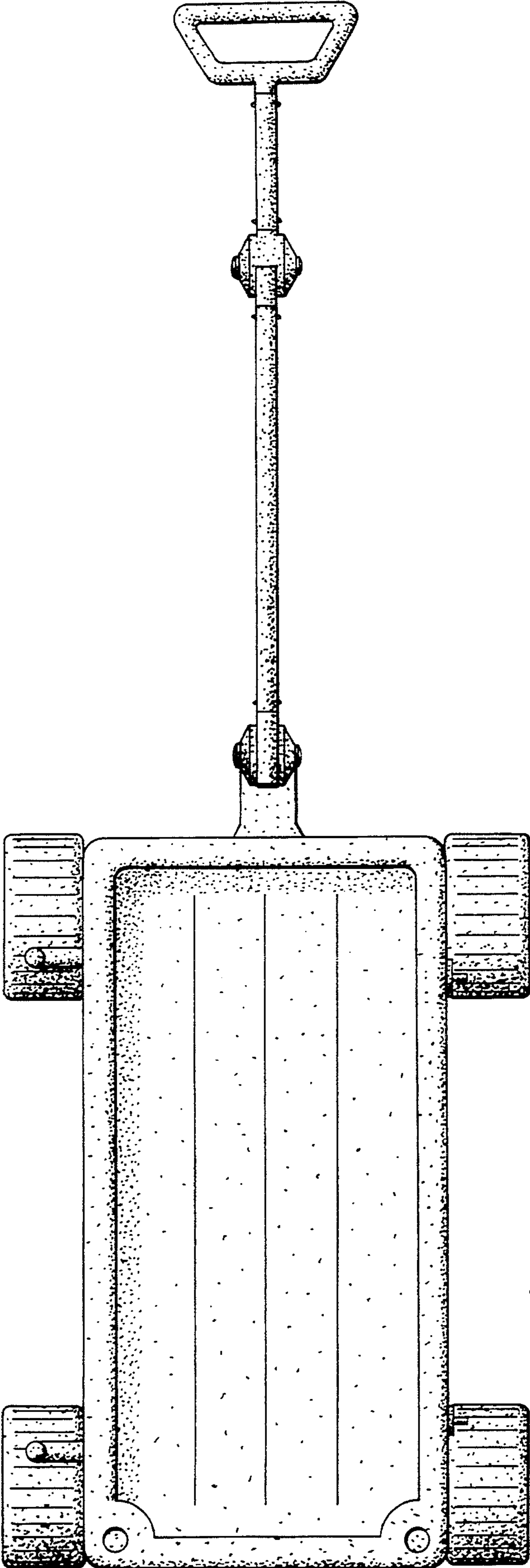


FIG. 3

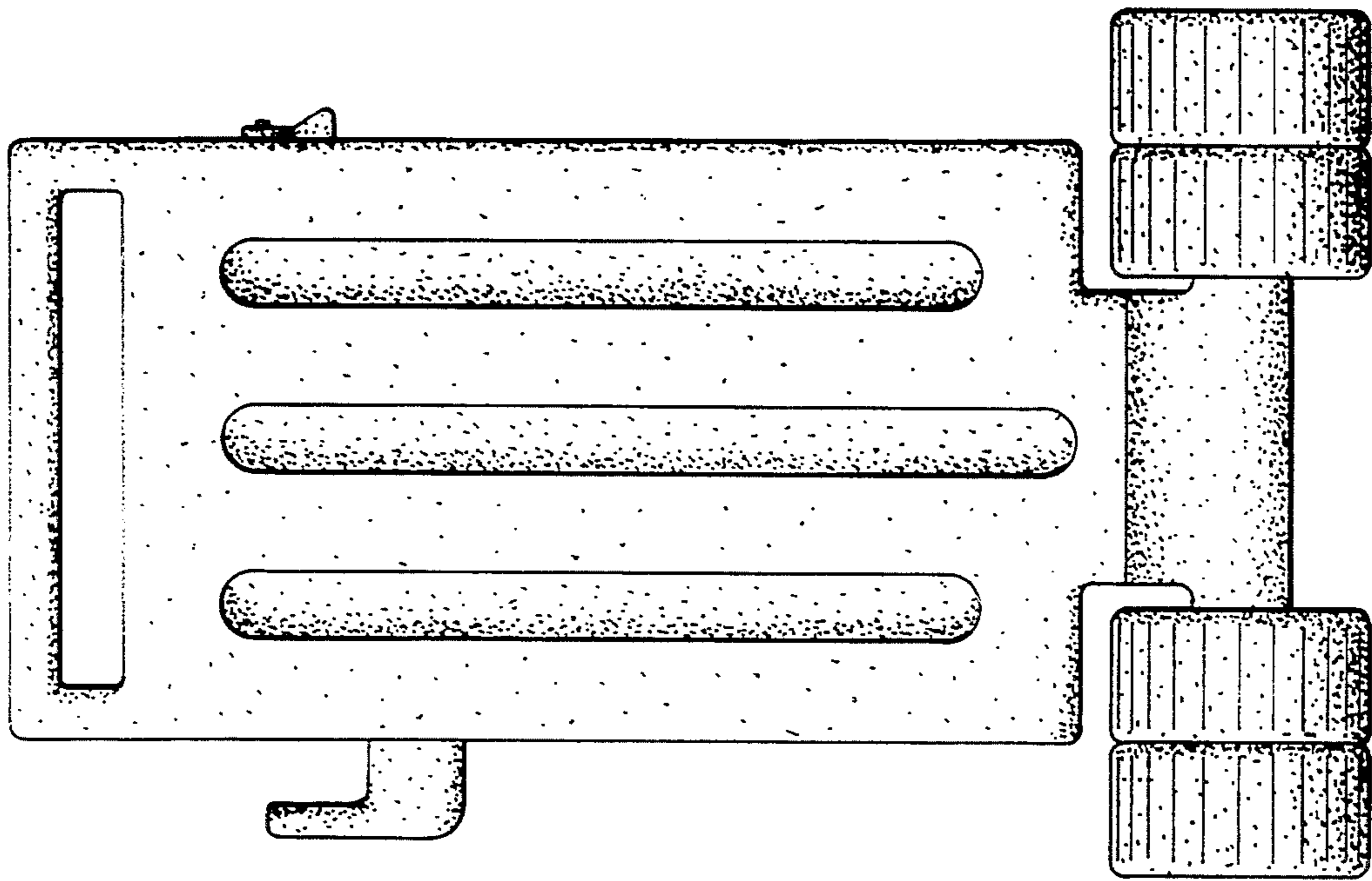


FIG. 5

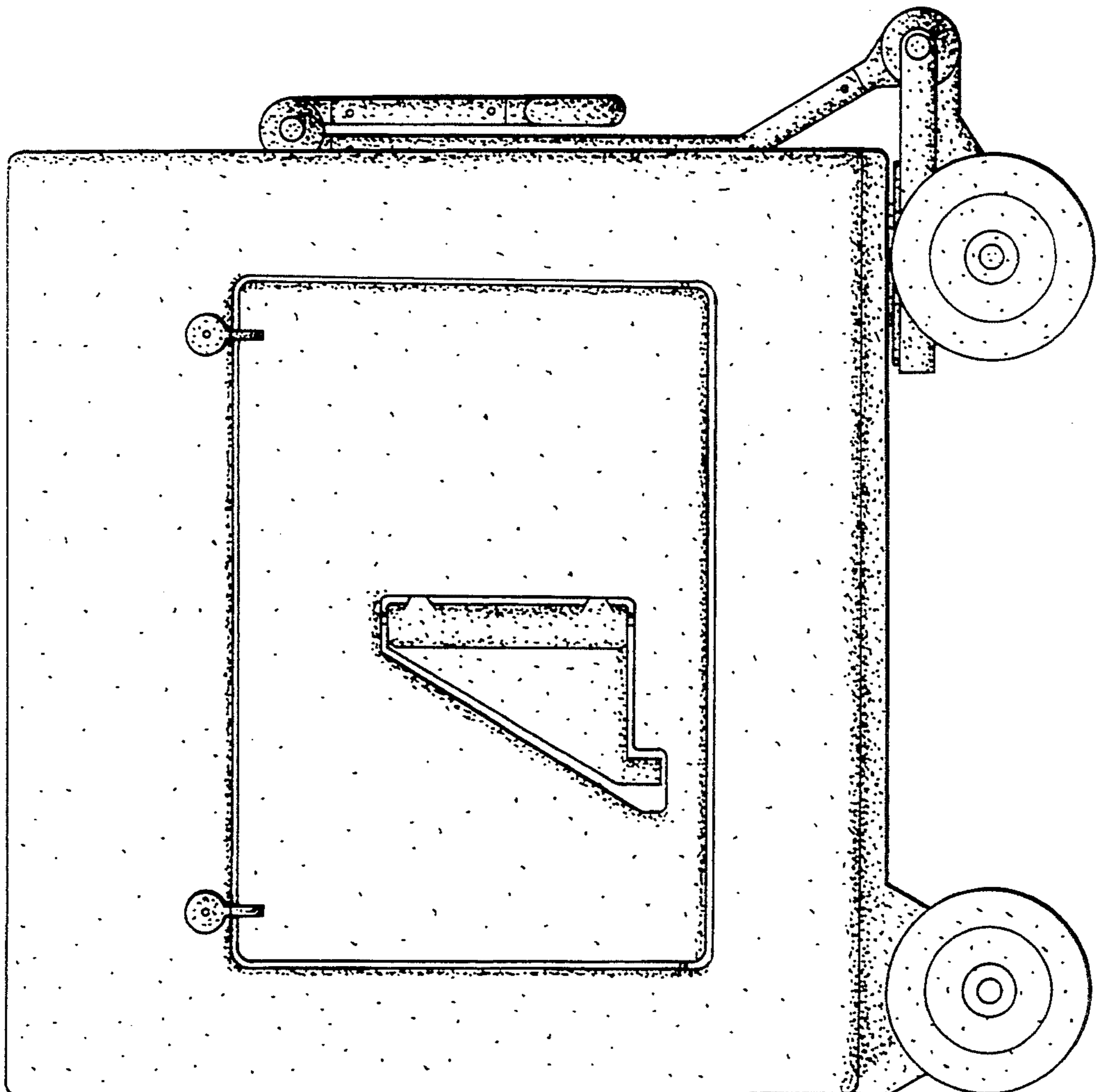


FIG. 4

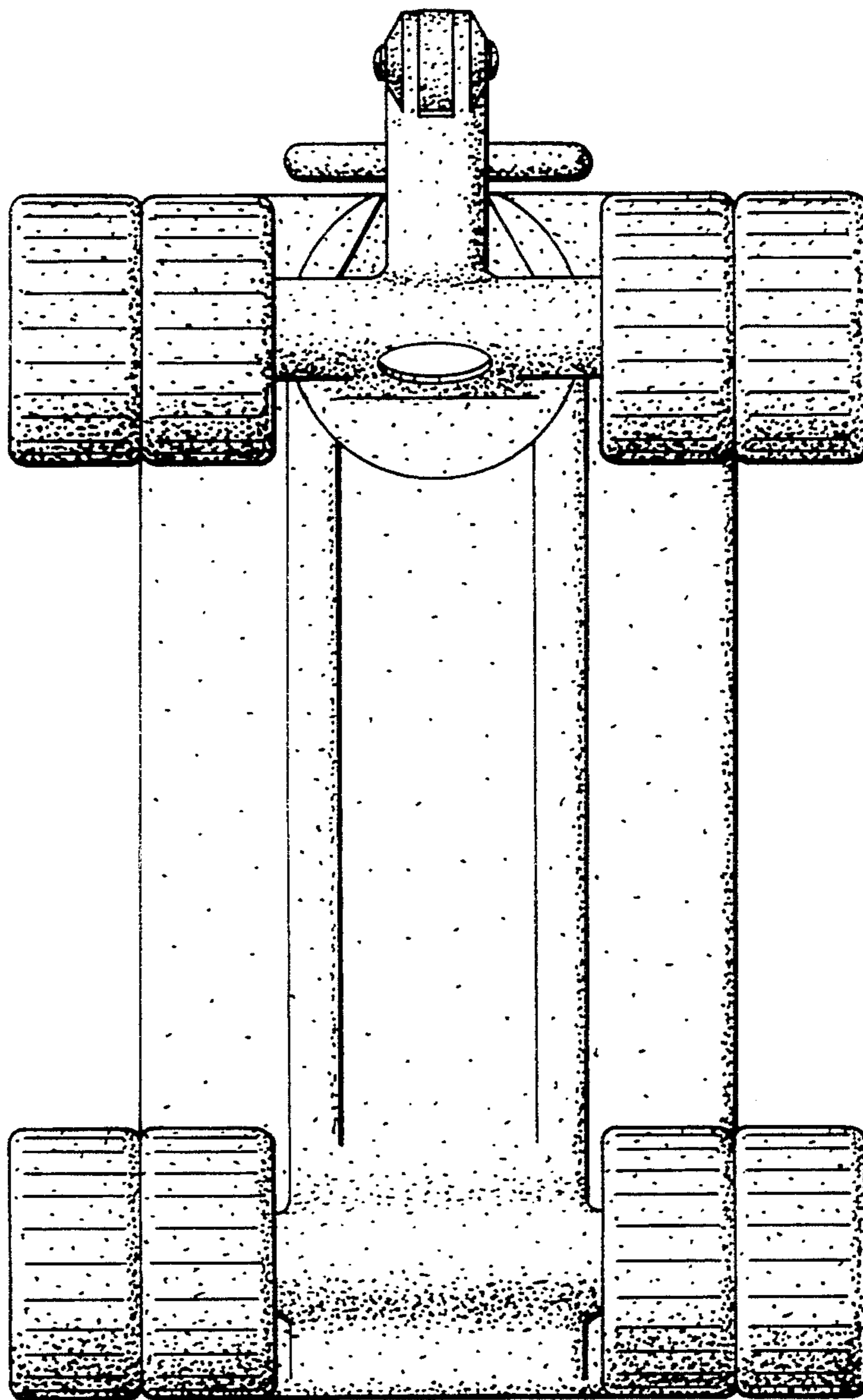


FIG. 6

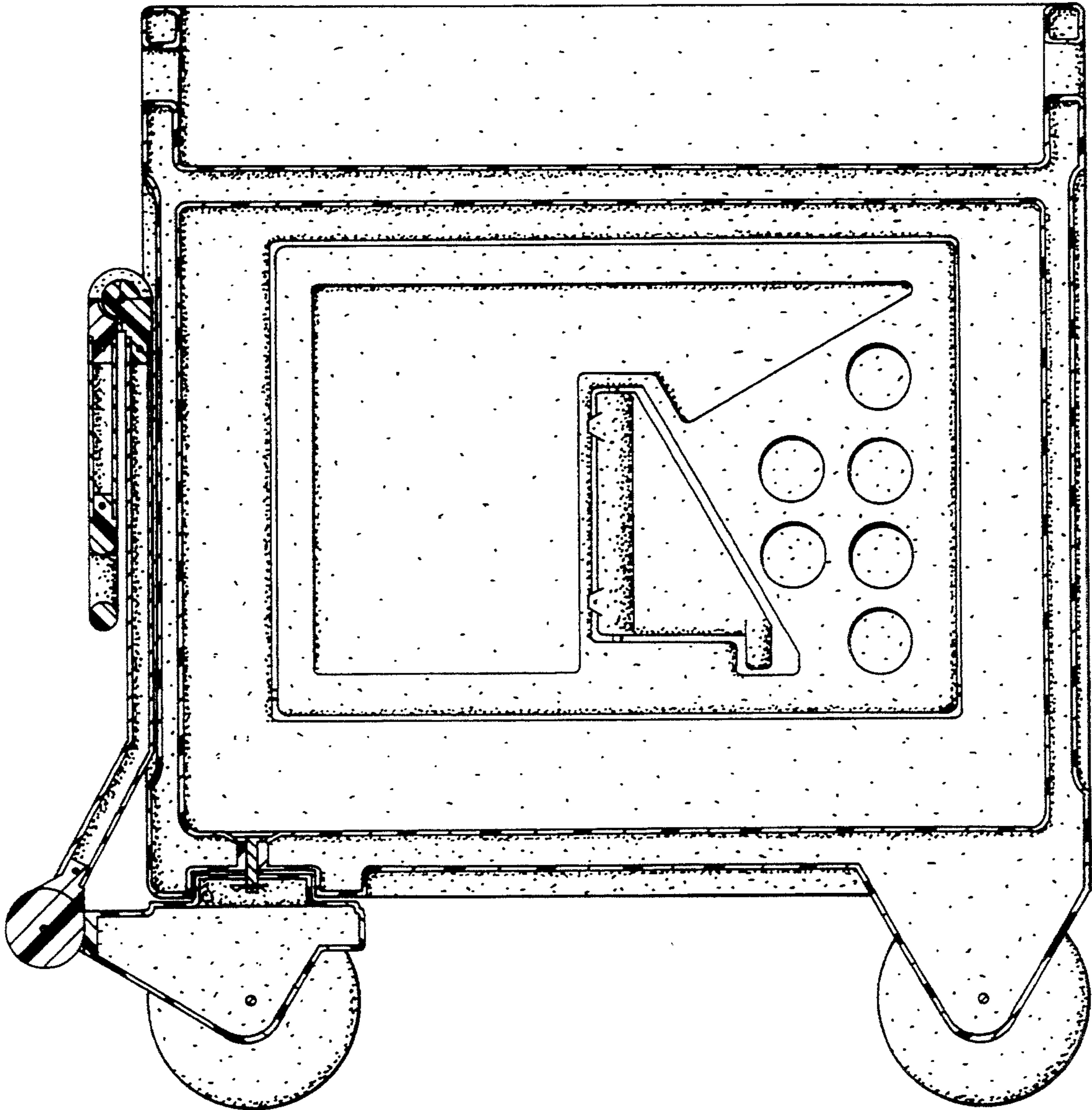


FIG. 7

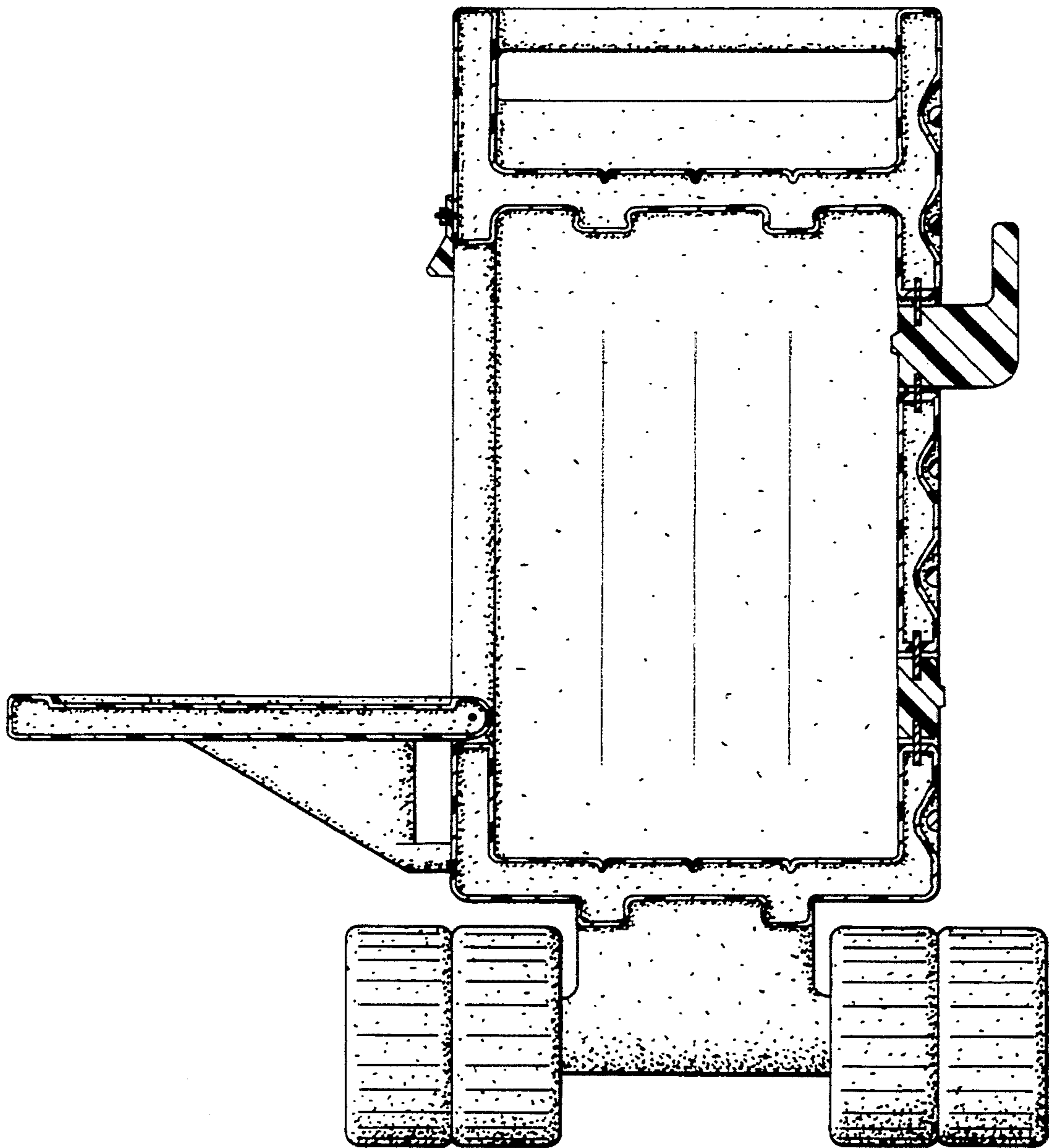


FIG. 8

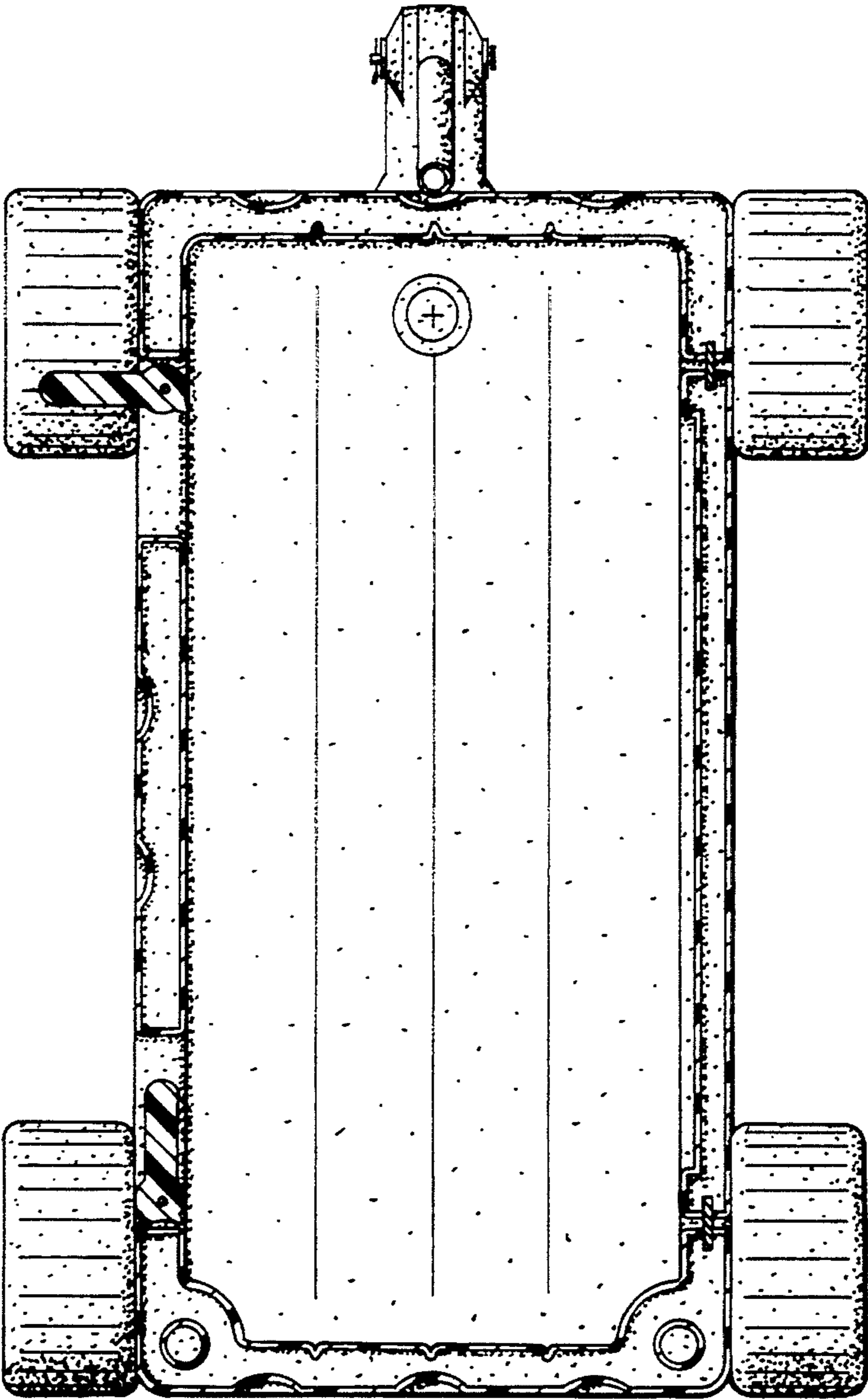


FIG. 9