



US00D361414S

United States Patent [19]

[11] Patent Number: **Des. 361,414**

Trautloff et al.

[45] Date of Patent: **** Aug. 15, 1995**

[54] AIR MOVER

4,799,287 1/1989 Belanger et al. 15/405

[76] Inventors: **Gary L. Trautloff**, 1632 Sunset La., Fullerton, Calif. 29633; **Montgomery A. Bisson**, 19822 Maritime, Huntington Beach, Calif. 92648

OTHER PUBLICATIONS

Ekly Pro Airmaster Carpet Dryer seen in flyer #1092B by Hesco, Oct. 31, 1992.
Powr-Flite Commerical Floor Equipment Catalog of 1991, p. 36—Powr-Flite Heavy Duty Powr-Dryer.

[**] Term: **14 Years**

Primary Examiner—Ruth McInroy
Attorney, Agent, or Firm—Hawes & Fischer

[21] Appl. No.: **4,626**

[22] Filed: **Feb. 9, 1993**

[57] CLAIM

[52] U.S. Cl. **D32/15**

The ornamental design for an air mover, as shown and described.

[58] Field of Search D32/15, 17, 21;
15/316.1-318.1, 344, 405

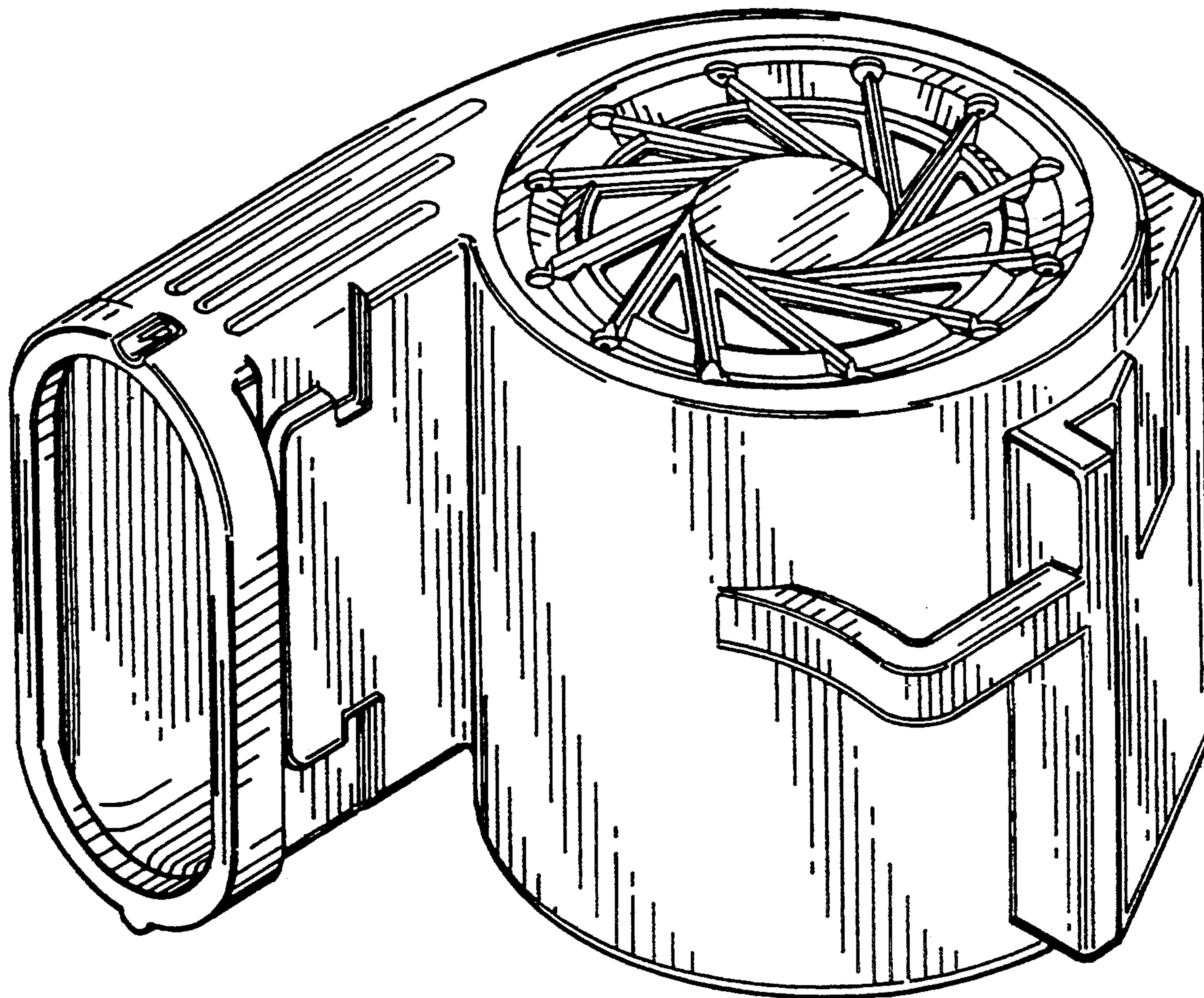
DESCRIPTION

[56] References Cited

U.S. PATENT DOCUMENTS

D. 282,396	1/1986	Weaver	D32/15
D. 285,132	8/1986	Smith et al.	D32/15
D. 307,655	5/1990	Hinklin et al.	D32/15
D. 339,432	9/1993	Rakocy et al.	D32/15
D. 340,326	10/1993	Genovese	D32/15
D. 344,615	2/1994	Berfield et al.	D32/15

FIG. 1 is a right side perspective view of an air mover showing our new design;
FIG. 2 is a left side elevation thereof;
FIG. 3 is a right side elevation view thereof;
FIG. 4 is a bottom plan view thereof;
FIG. 5 is a top plan view thereof;
FIG. 6 is a rear elevation thereof; and,
FIG. 7 is a front elevation thereof.



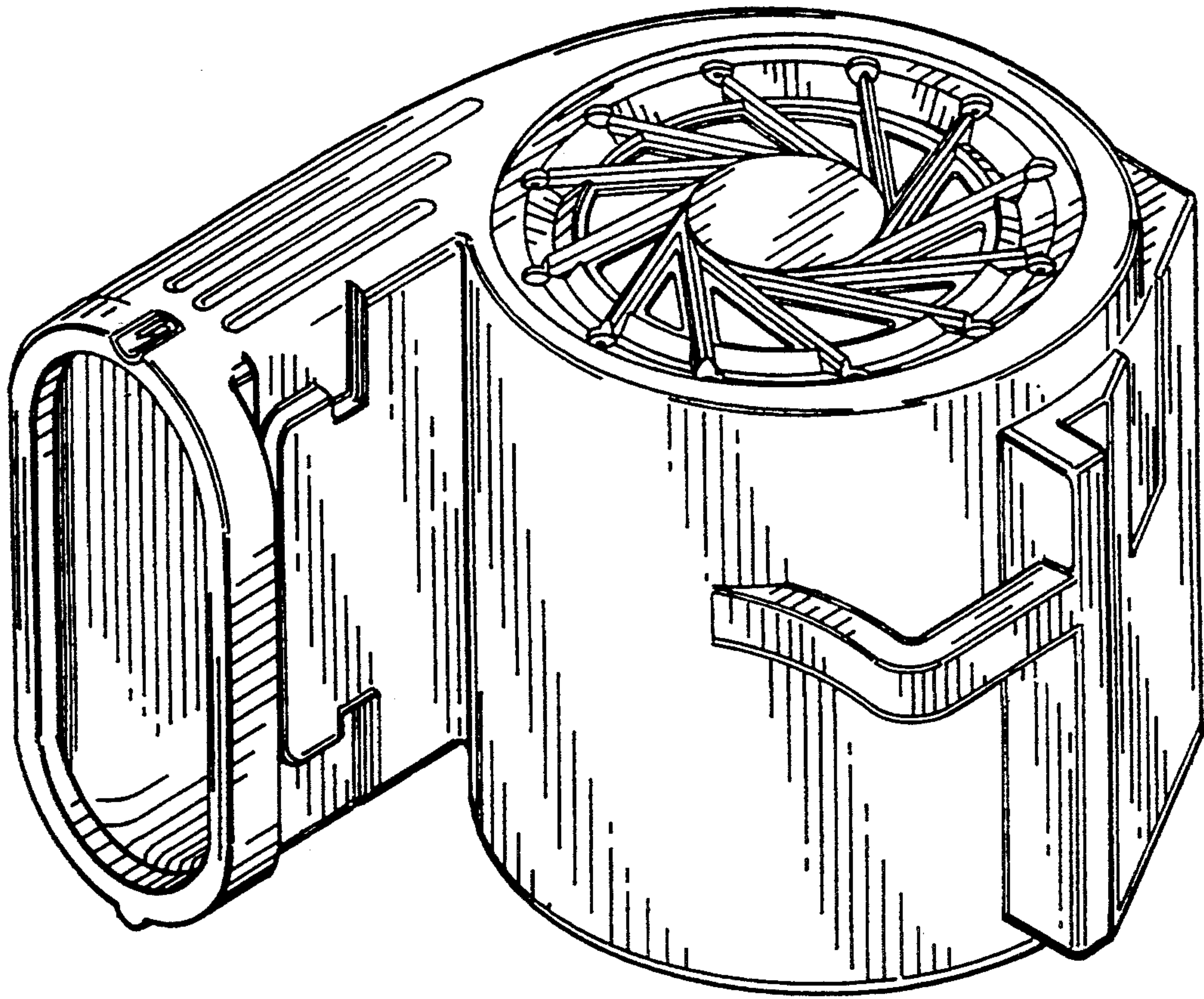


FIG. 1

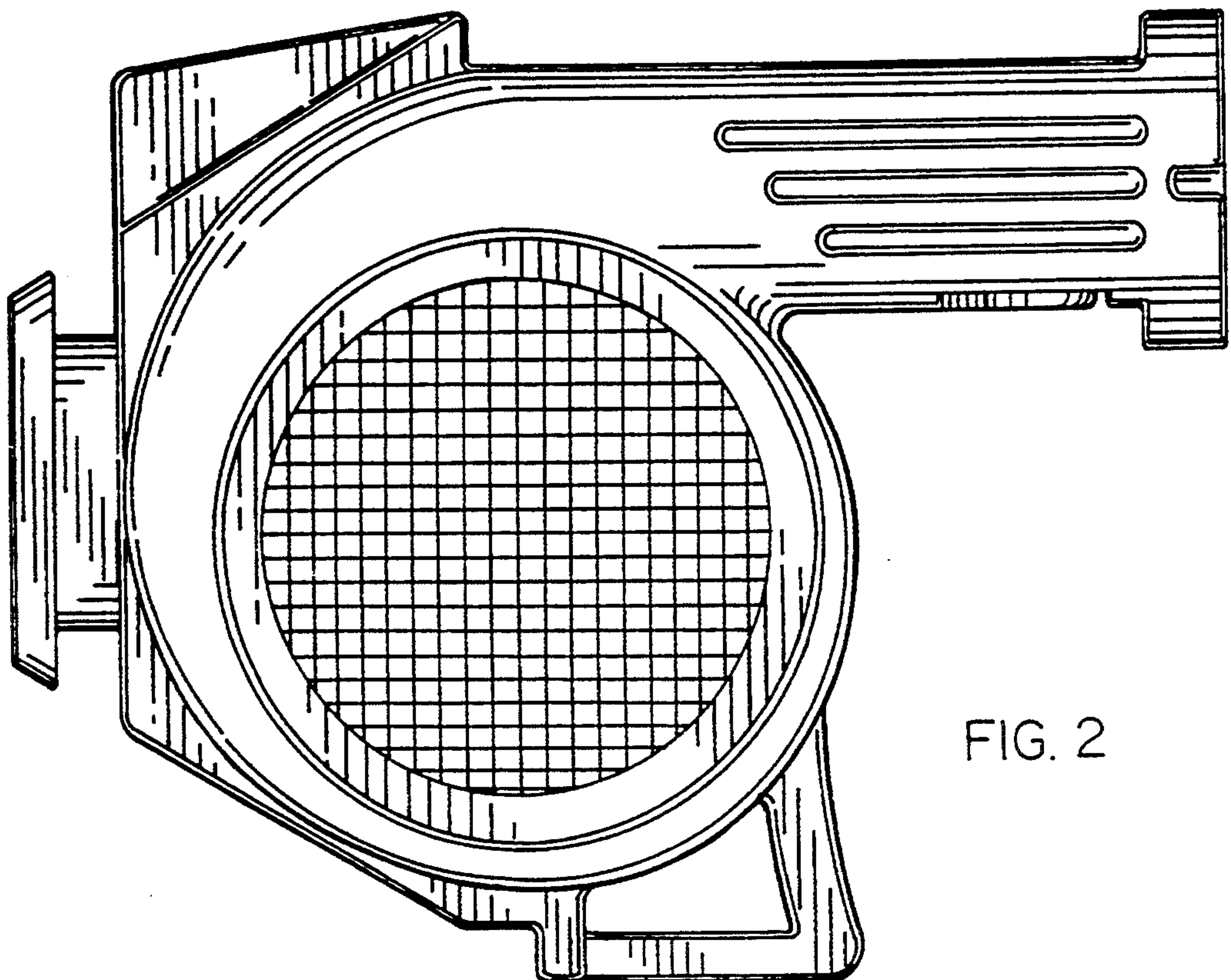


FIG. 2

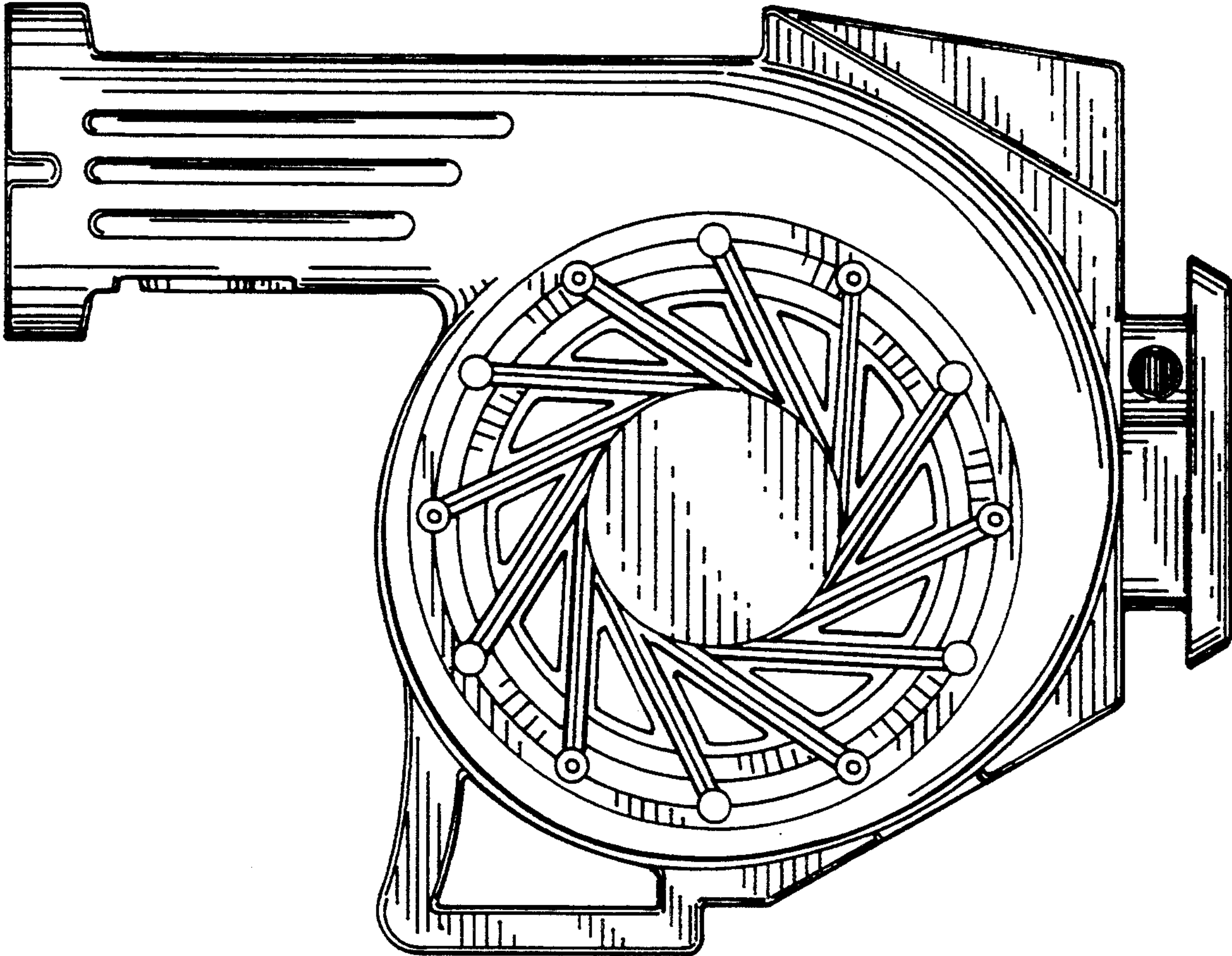


FIG. 3

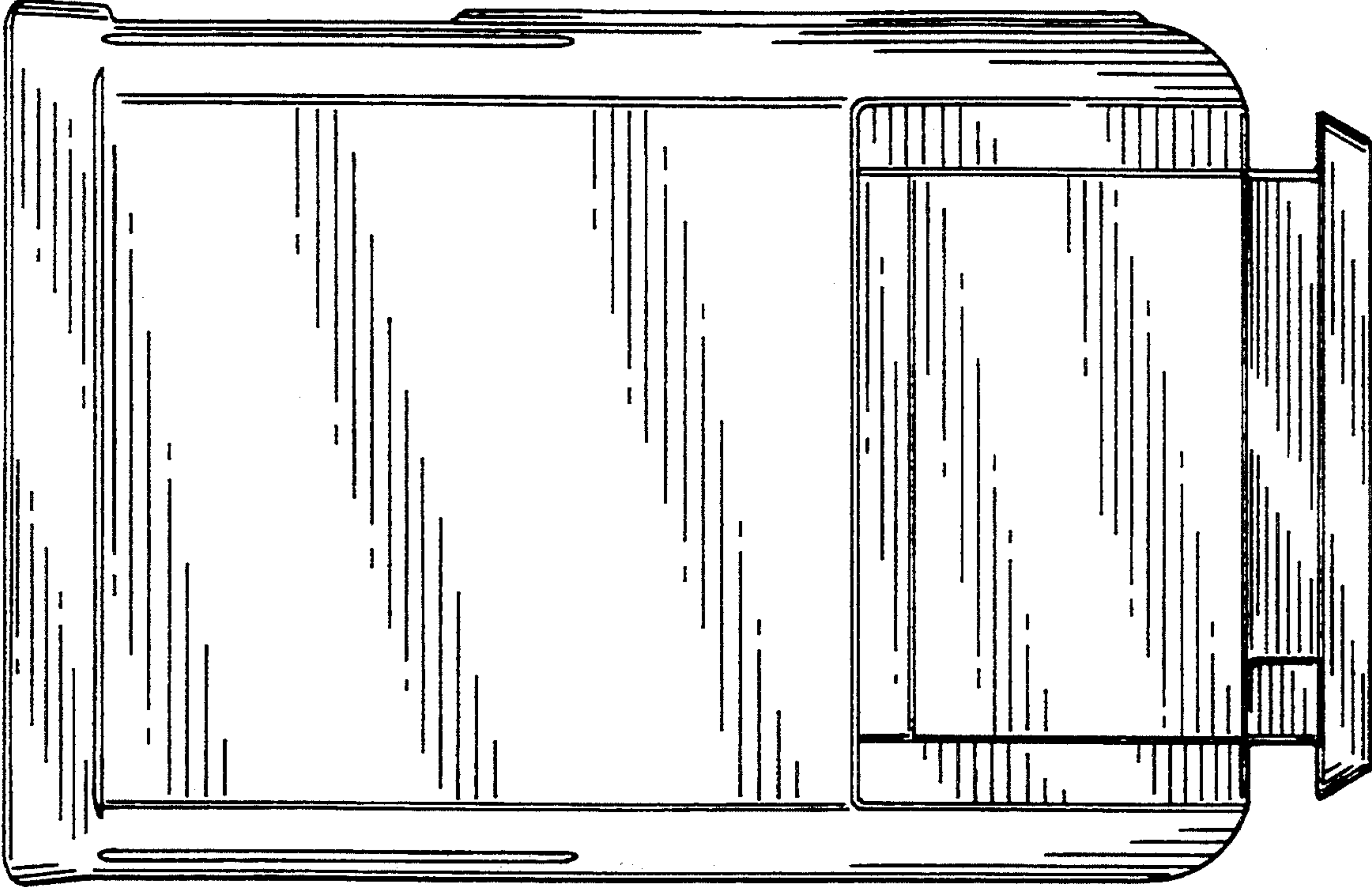


FIG. 4

FIG. 5

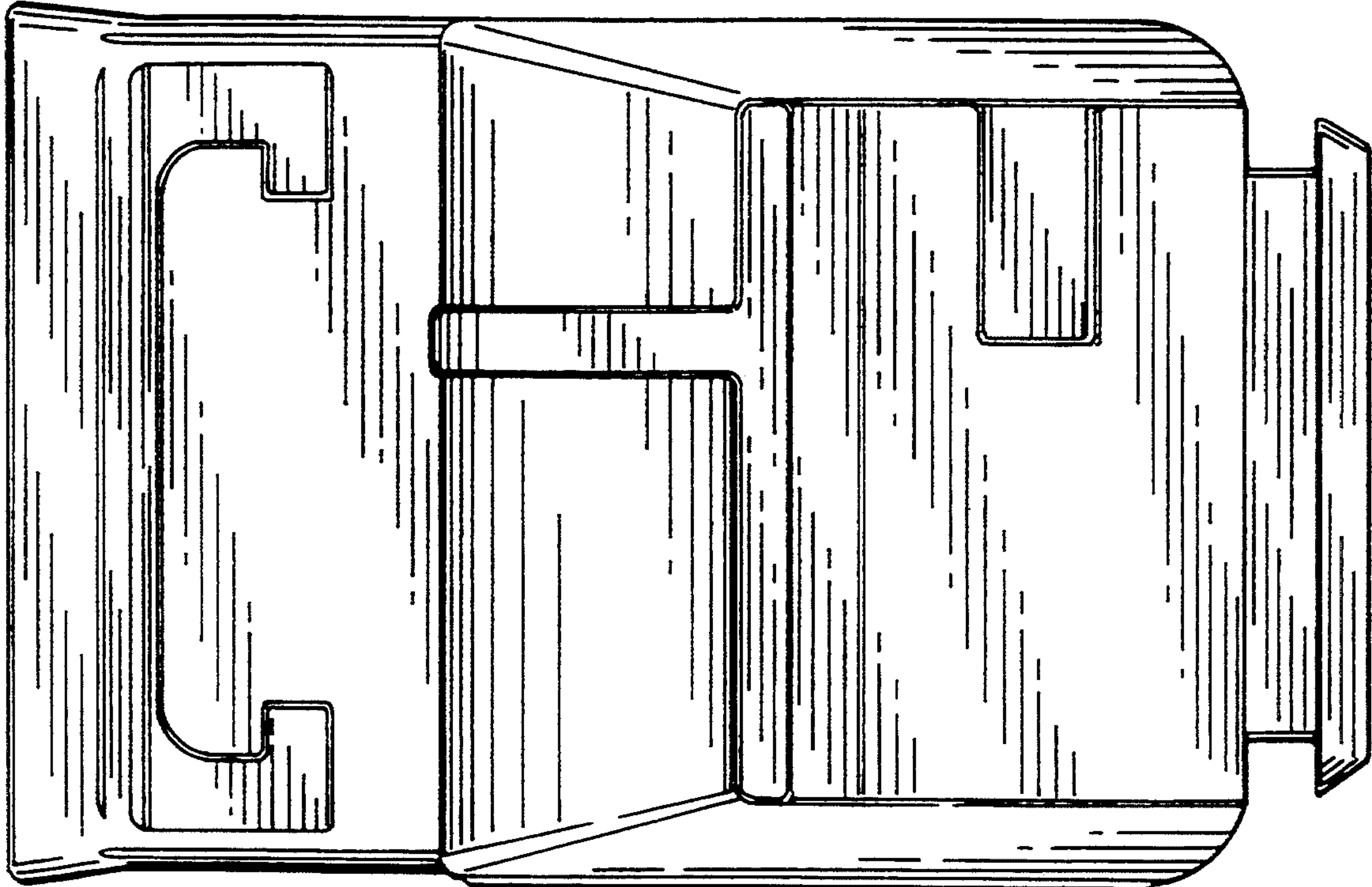


FIG. 6

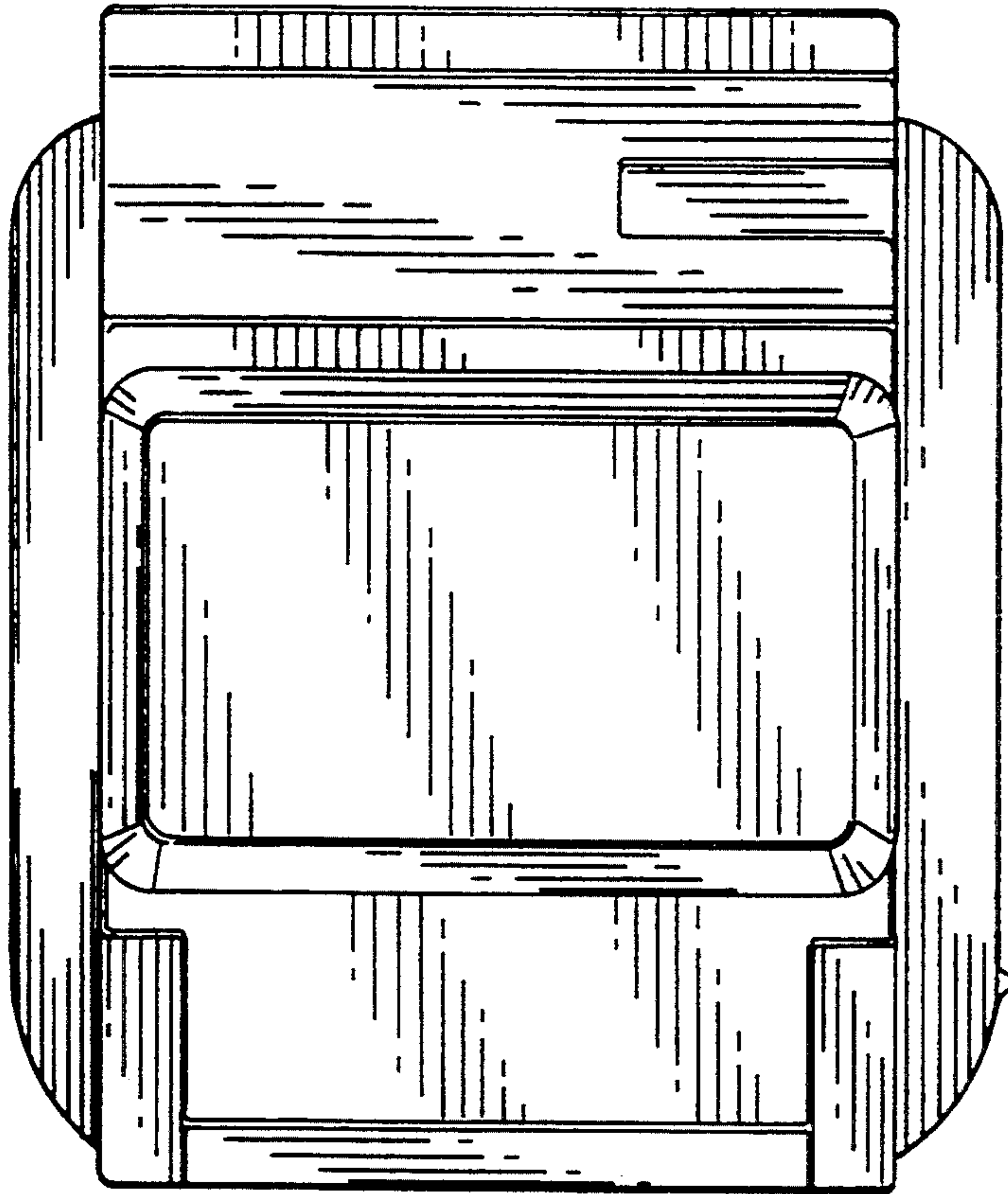


FIG. 7

