



US00D361412S

United States Patent [19]

[11] Patent Number: **Des. 361,412**

Ichikawa

[45] Date of Patent: **** Aug. 15, 1995**

[54] **AQUARIUM TANK**

[75] Inventor: **Minoru Ichikawa**, Tokyo, Japan

[73] Assignee: **Nisso Industry Co., Ltd.**, Tokyo, Japan

[*] Notice: The portion of the term of this patent subsequent to Aug. 8, 2009 has been disclaimed.

2150023 4/1973 Germany 119/269
 133847 9/1989 Japan .
 239819 11/1990 Japan .
 1117 3/1993 Rep. of Korea .
 1119 3/1993 Rep. of Korea .
 1125 4/1993 Rep. of Korea .
 1128 5/1993 Rep. of Korea .
 1133 5/1993 Rep. of Korea .
 1140 6/1993 Rep. of Korea .
 193088 10/1992 Taiwan .

[**] Term: **14 Years**

[21] Appl. No.: **13,016**

[22] Filed: **Sep. 16, 1993**

OTHER PUBLICATIONS

Hagan brochure for Aquariums; cover photo.
 Rain Forest Aquarium Japanese Brochure; cover photo.
 Para Atollo Aqua-Rama System brochure; 950 & 645 Aquariums; back cover photo.

[30] **Foreign Application Priority Data**

Mar. 19, 1993 [JP] Japan 5-7653

[52] U.S. Cl. **D30/101**

[58] Field of Search 119/269, 245, 248, 267, 119/265, 266, 246; D30/101, 104, 106, 107; D11/145; 47/69 T

Primary Examiner—Cathy Anne MacCormac
Attorney, Agent, or Firm—Oblon, Spivak, McClelland, Maier & Neustadt

[56] **References Cited**

U.S. PATENT DOCUMENTS

[57] **CLAIM**

The ornamental design for an aquarium tank, as shown and described.

D. 158,074 4/1950 Hollick-Smith D30/101
 D. 230,742 3/1974 Rehlaender 119/265
 305,720 9/1884 Sperber 47/69 T
 D. 347,911 6/1994 Tominaga D30/101
 4,078,522 3/1978 Akers 119/266
 4,094,271 6/1978 Louis 119/245
 4,191,129 3/1980 Renny 119/269
 4,889,973 12/1989 Farinacci et al. 119/269

DESCRIPTION

FIG. 1 is a top and right front perspective view of an aquarium tank, showing my new design;
 FIG. 2 is another perspective view showing the cover in an open position;
 FIG. 3 is a third perspective view showing the cover in another open position;
 FIG. 4 is a rear elevational view thereof;
 FIG. 5 is a left side elevational view thereof;
 FIG. 6 is a right side elevational view thereof;
 FIG. 7 is a front elevational view thereof; and,
 FIG. 8 is a top plan view thereof.
 The bottom is plain and unornamented.

FOREIGN PATENT DOCUMENTS

988375 5/1976 Canada 119/269
 122175 10/1984 European Pat. Off. 119/248
 1045329 11/1953 France 119/266
 1267479 6/1961 France 119/245
 1133175 7/1962 Germany 119/266

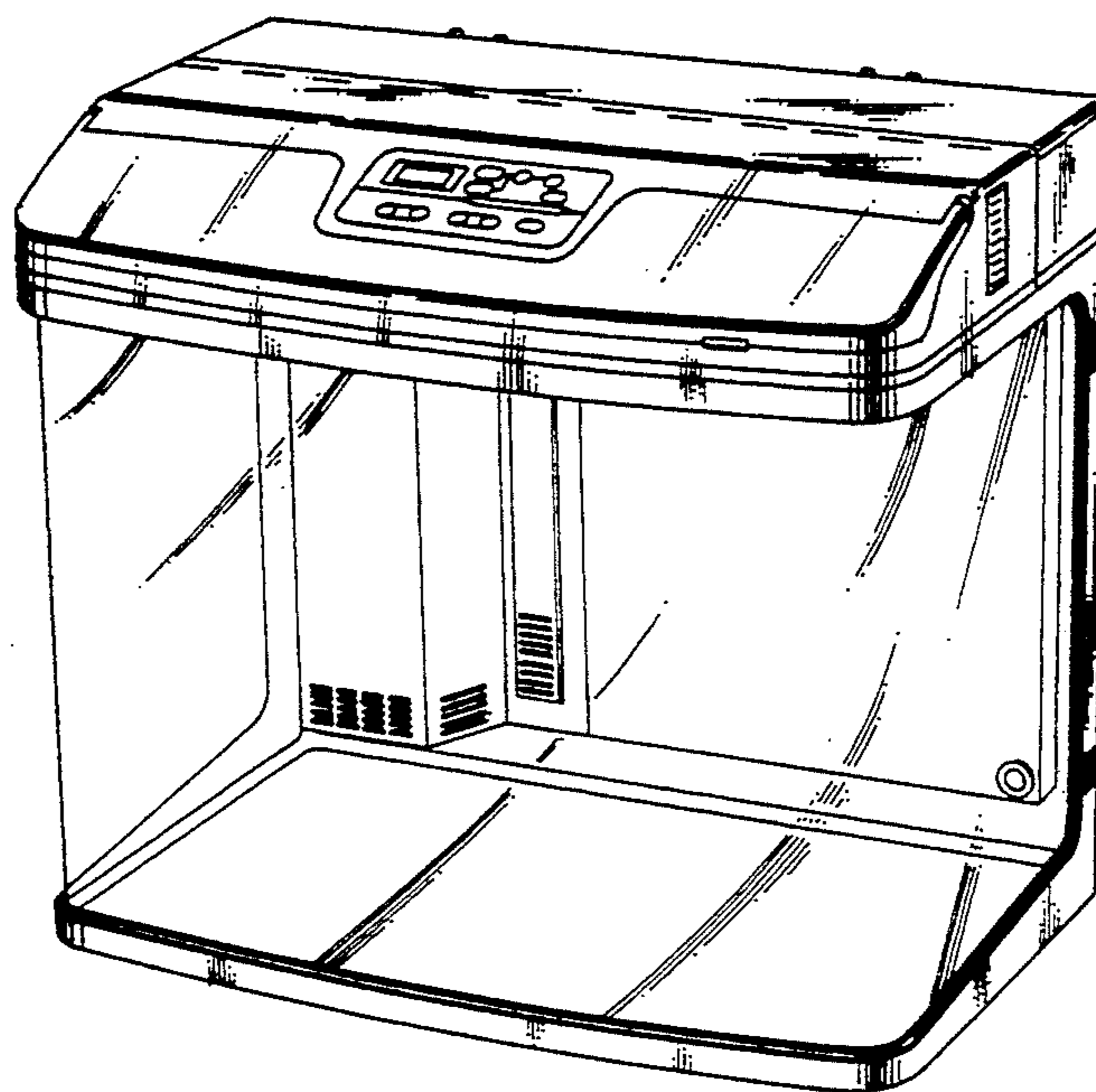


FIG. 1

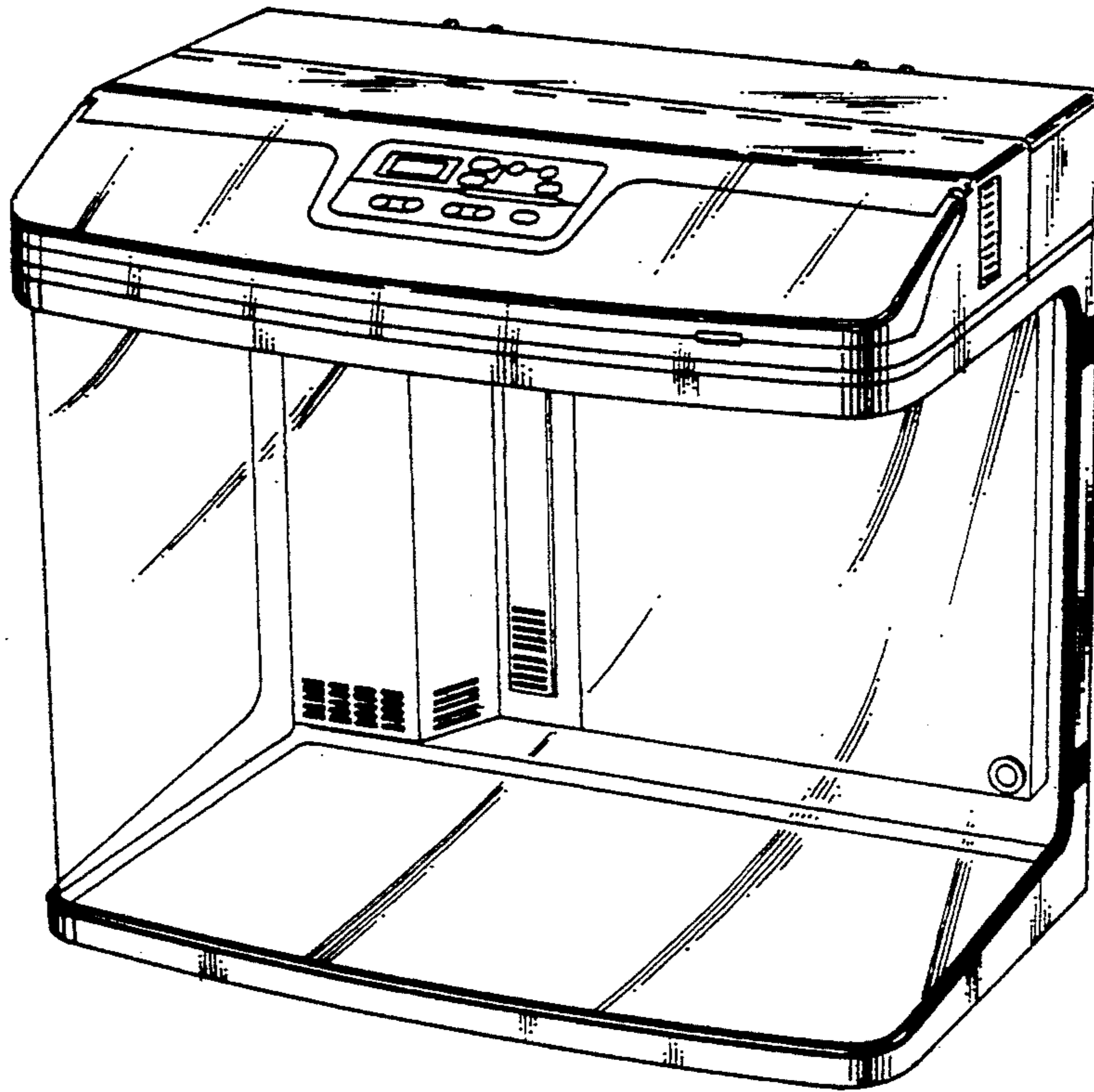


FIG. 2

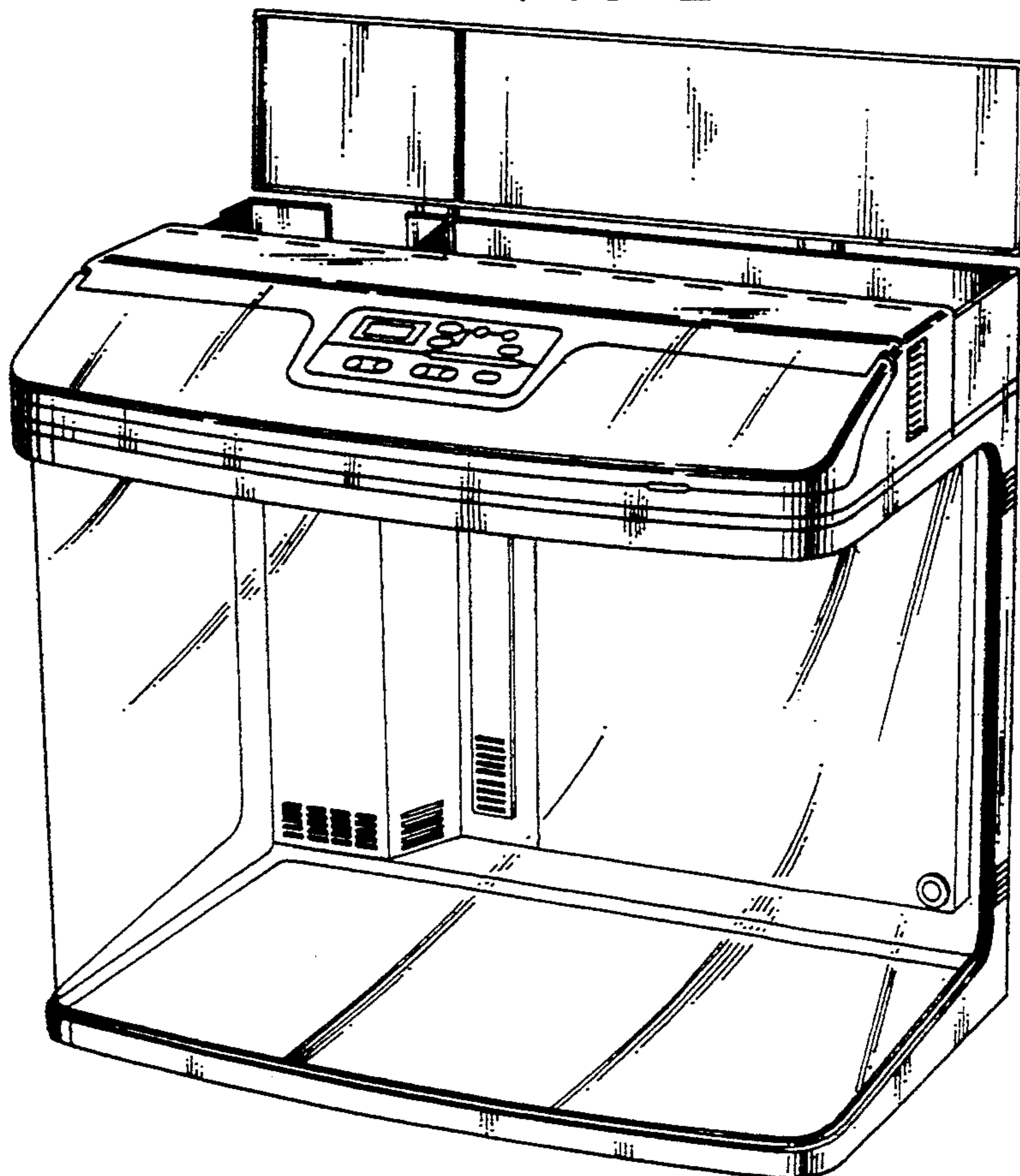


FIG. 3

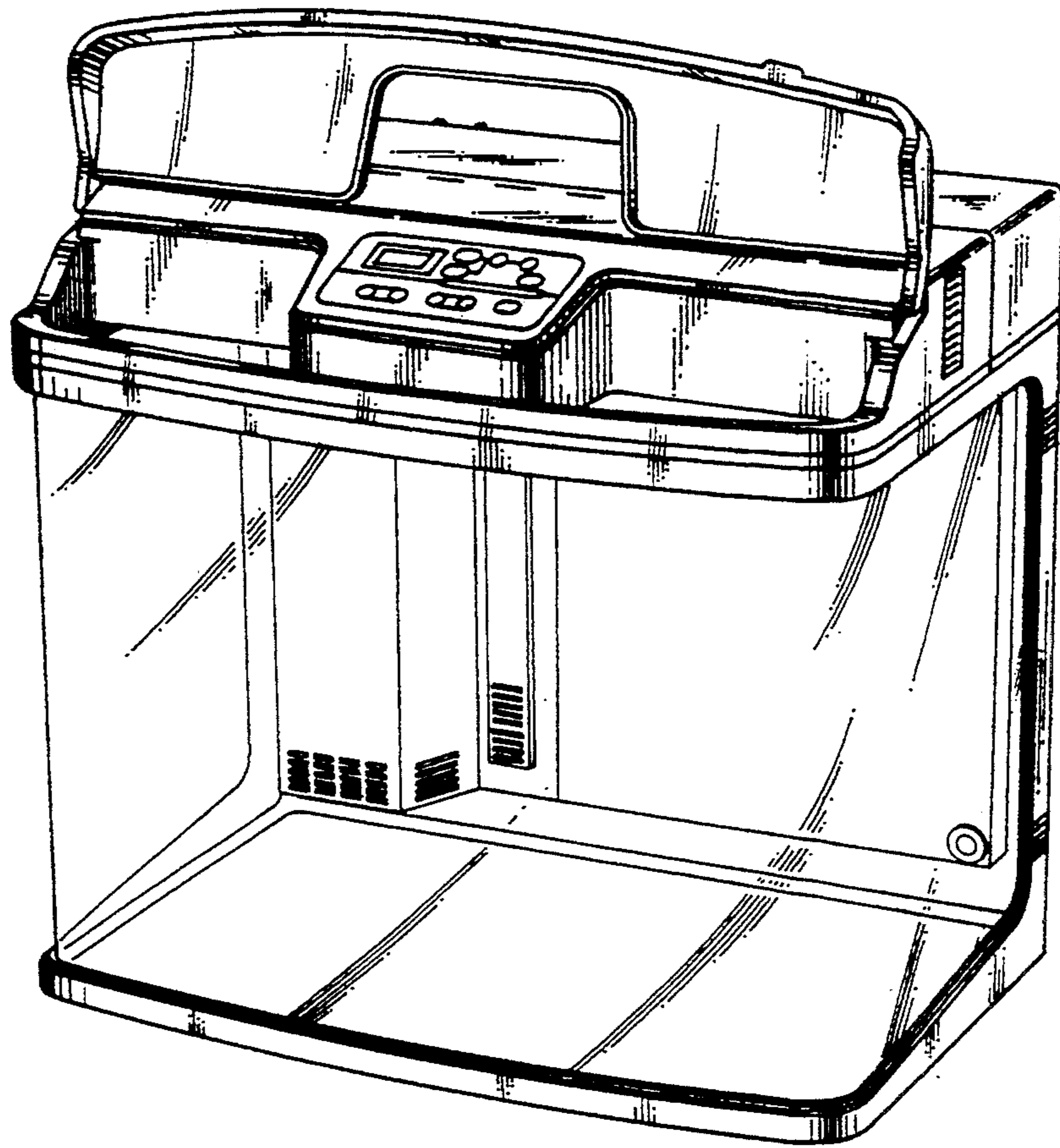


FIG. 4

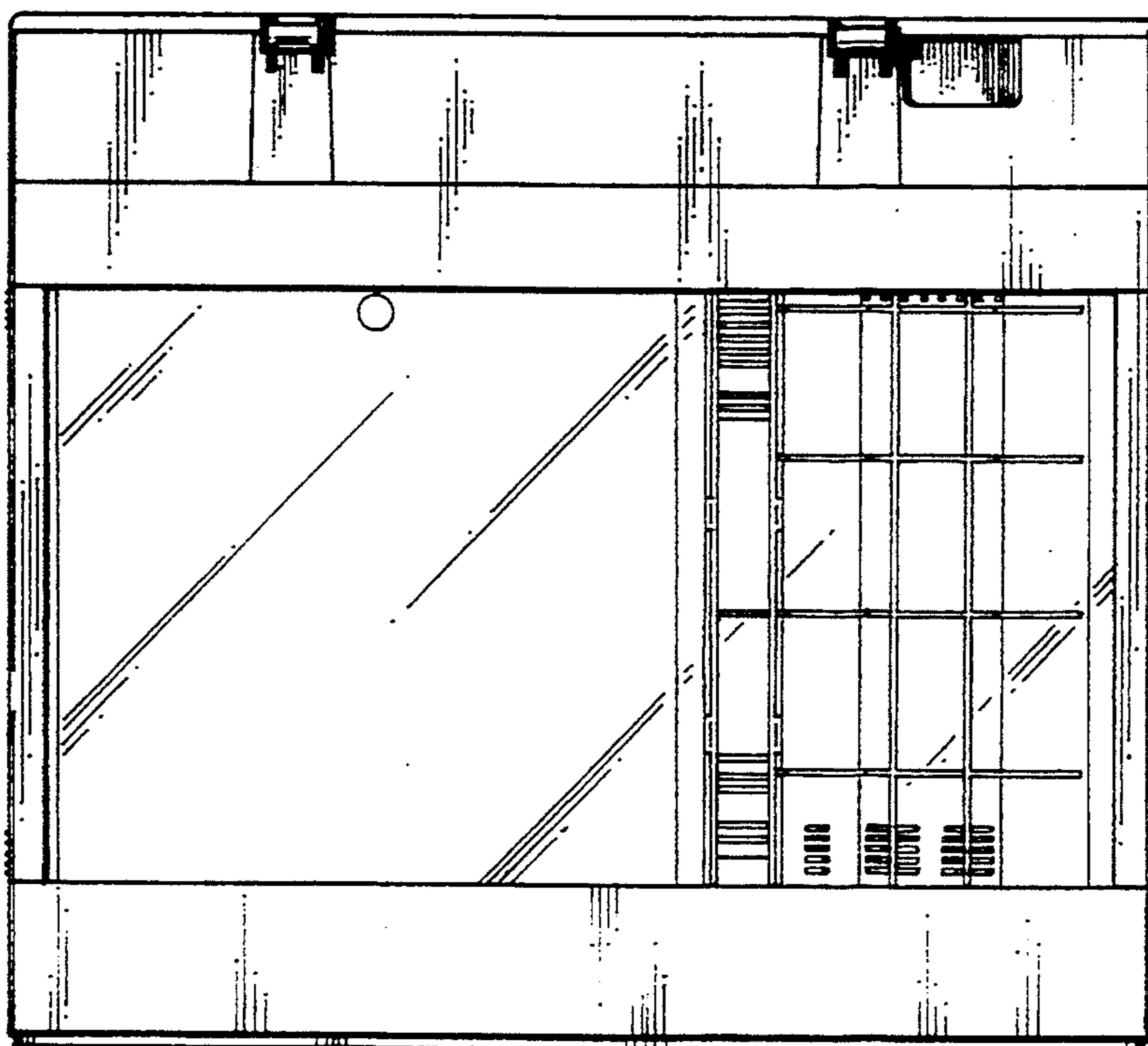


FIG. 5

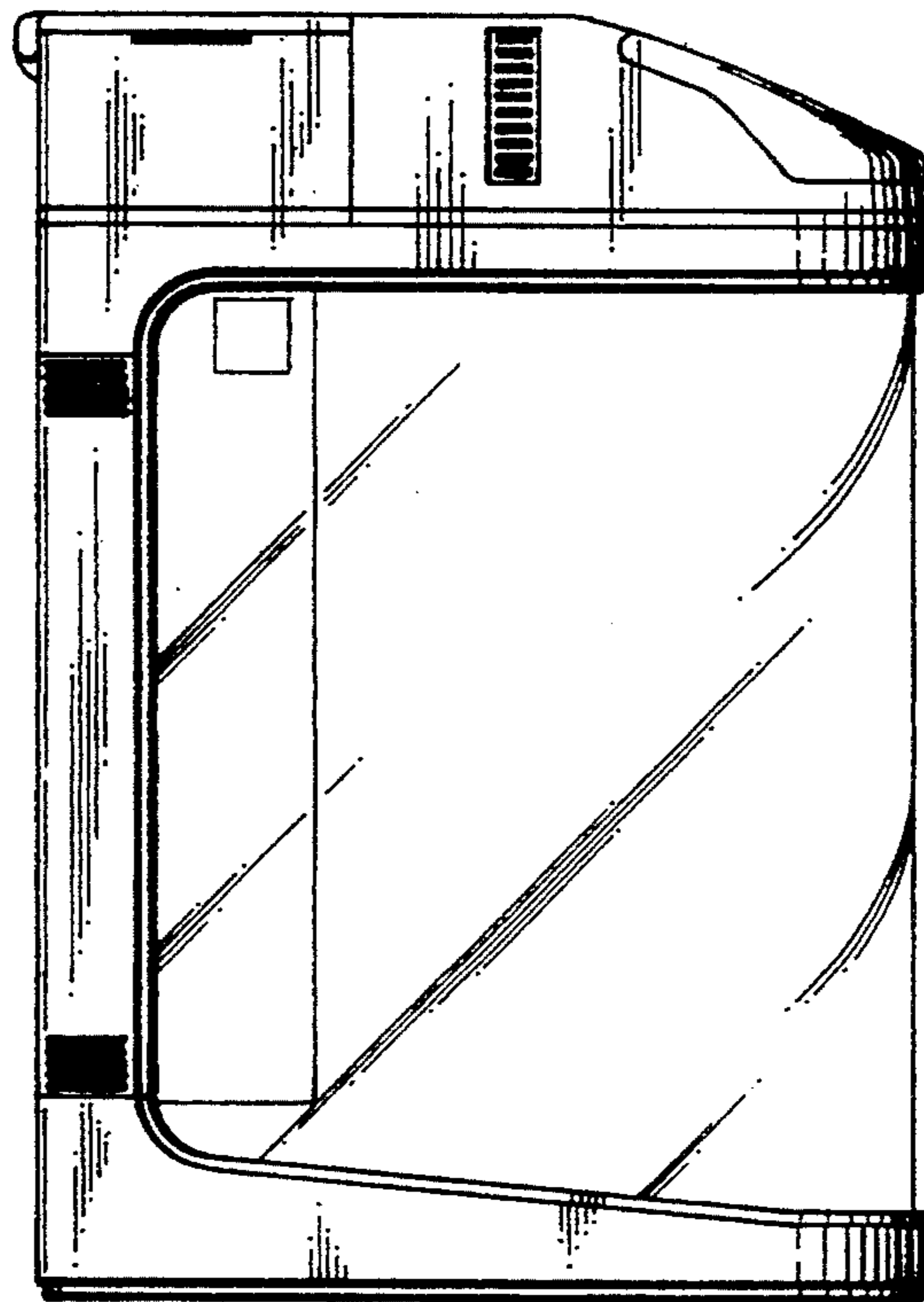


FIG. 6

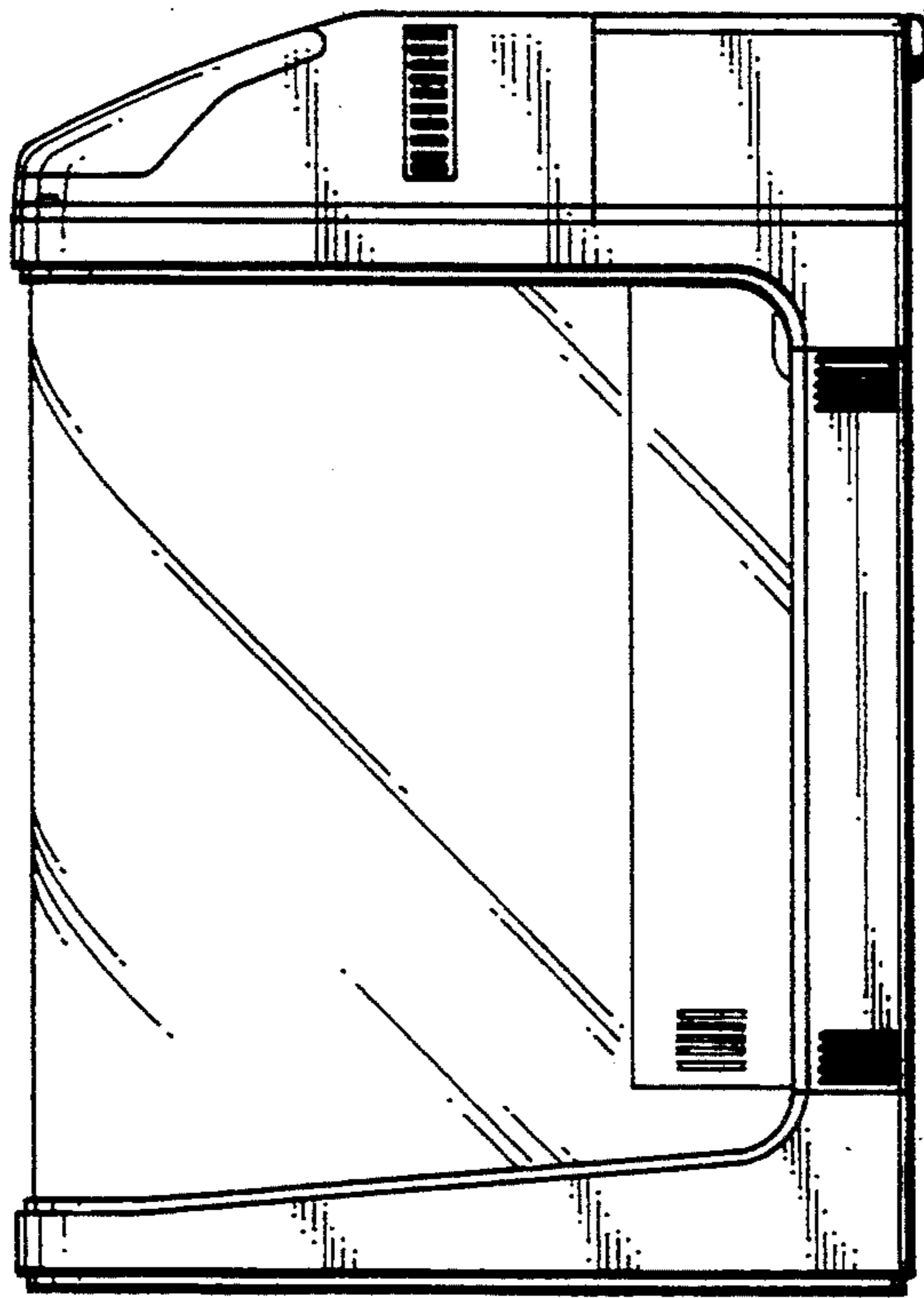


FIG. 7

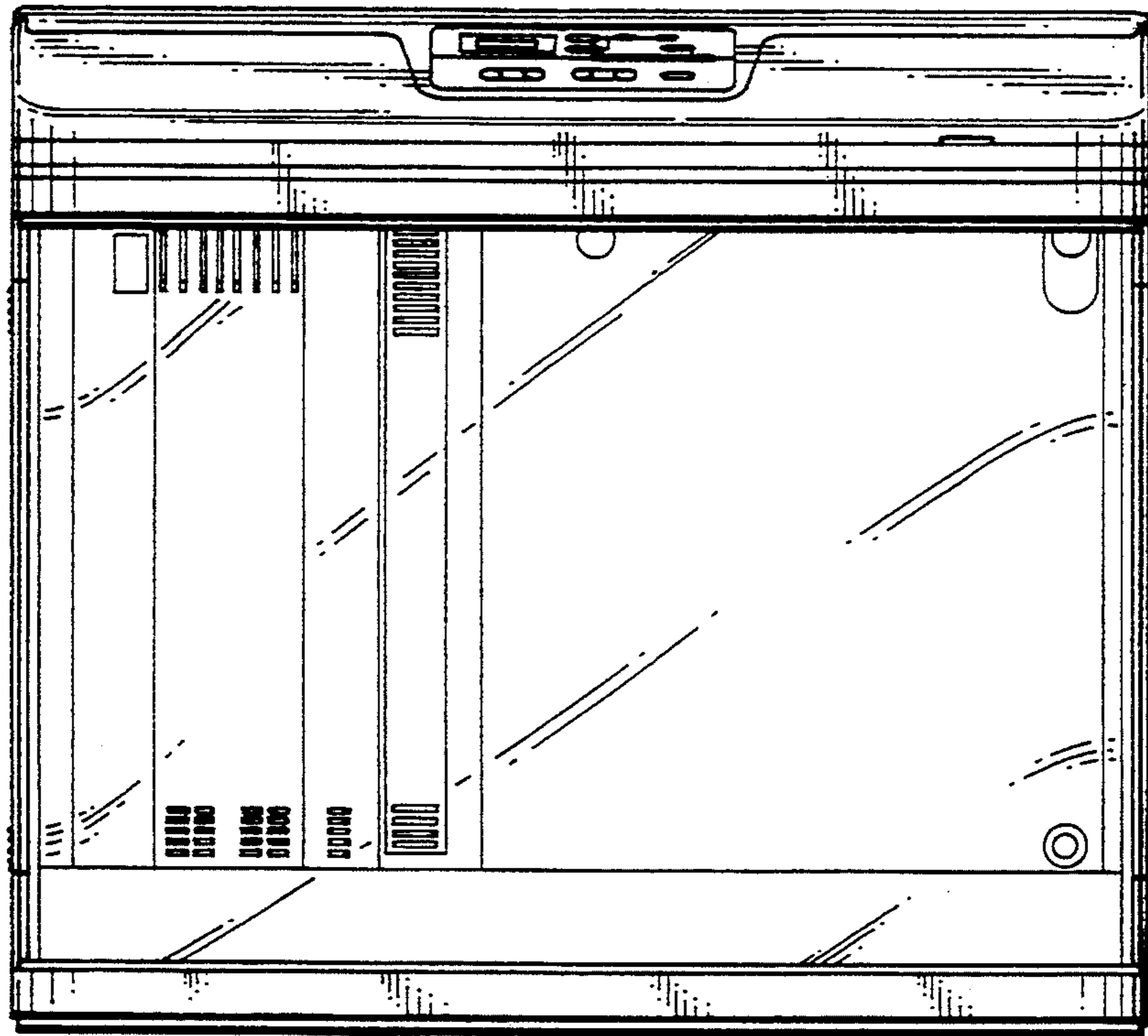


FIG. 8

