



US00D361411S

United States Patent [19] Ho

[11] Patent Number: **Des. 361,411**

[45] Date of Patent: **** Aug. 15, 1995**

[54] SAFETY HELMET

[76] Inventor: **Chang-Hsien Ho**, 12F., No. 16, Sec. 1, Ho-Ping E. Road, Taipei, Taiwan

[**] Term: **14 Years**

[21] Appl. No.: **13,425**

[22] Filed: **Sep. 24, 1993**

[52] U.S. Cl. **D29/102**

[58] Field of Search D29/102-107;
D2/882, 893; 2/410-412, 414, 417-418, 423, 425

D. 351,684 10/1994 Jeng D29/102
4,903,348 2/1990 Broersma 2/425
4,903,350 2/1990 Gentes et al. 2/425
5,231,703 8/1993 Garneau 2/425

Primary Examiner—Ruth McInroy
Attorney, Agent, or Firm—Lowe, Price, LeBlanc & Becker

[57] CLAIM

The ornamental design for a safety helmet, as shown and described.

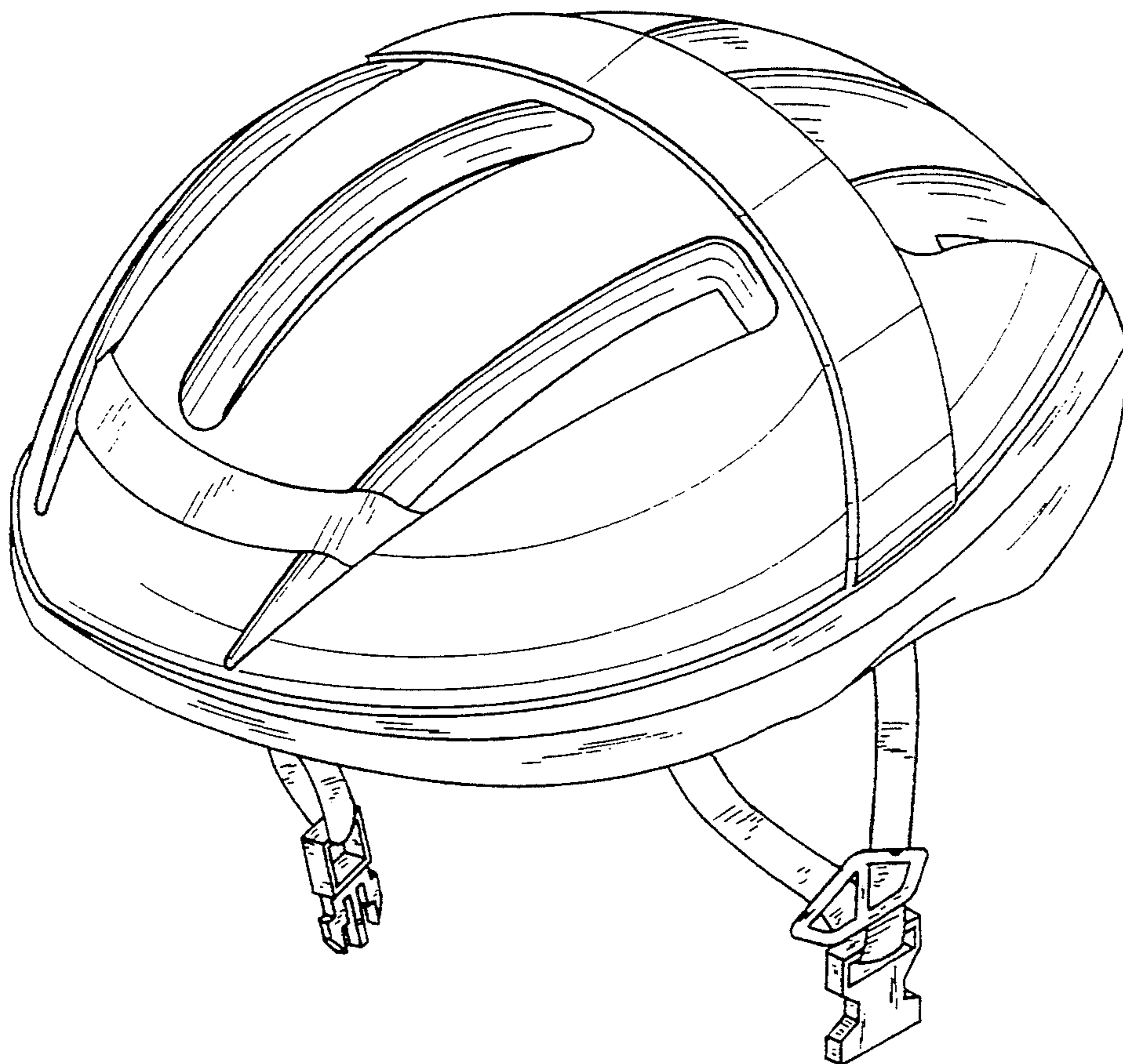
DESCRIPTION

FIG. 1 is a perspective view of a safety helmet showing my new design;
FIG. 2 is a front elevational view thereof;
FIG. 3 is a rear elevational view thereof;
FIG. 4 is a side elevational view thereof;
FIG. 5 is a top plan view thereof; and,
FIG. 6 is a bottom plan view thereof.
The fastening belt is removed in FIGS. 2-6 for clarity of illustration.

[56] References Cited

U.S. PATENT DOCUMENTS

D. 303,851 10/1989 Gentes D29/102
D. 309,961 8/1990 Bobrick D29/102
D. 319,112 8/1991 Broersma D29/102
D. 335,366 5/1993 Podd, III et al. D29/102
D. 347,300 5/1994 Gentes D29/102
D. 347,711 6/1994 Egger D29/102



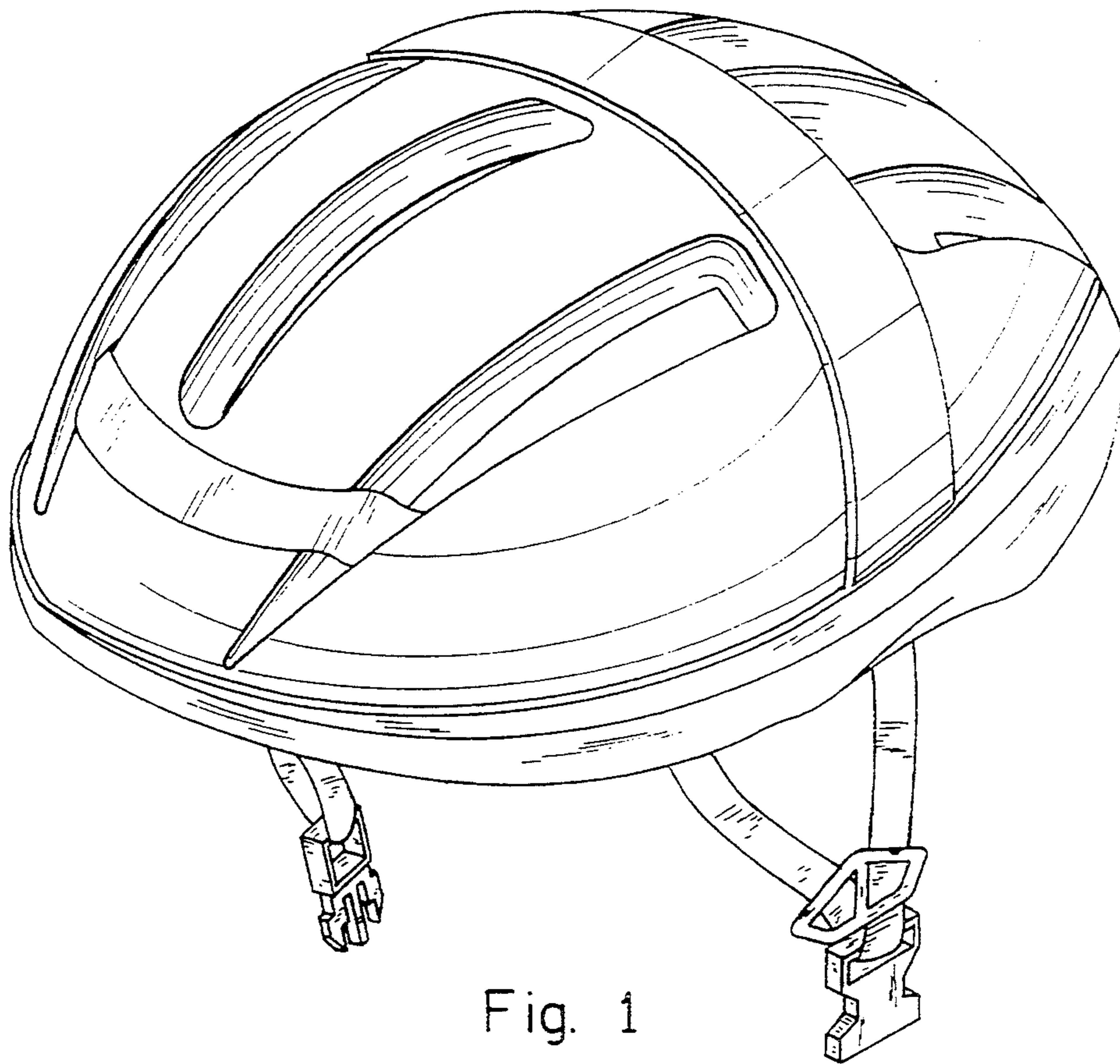


Fig. 1

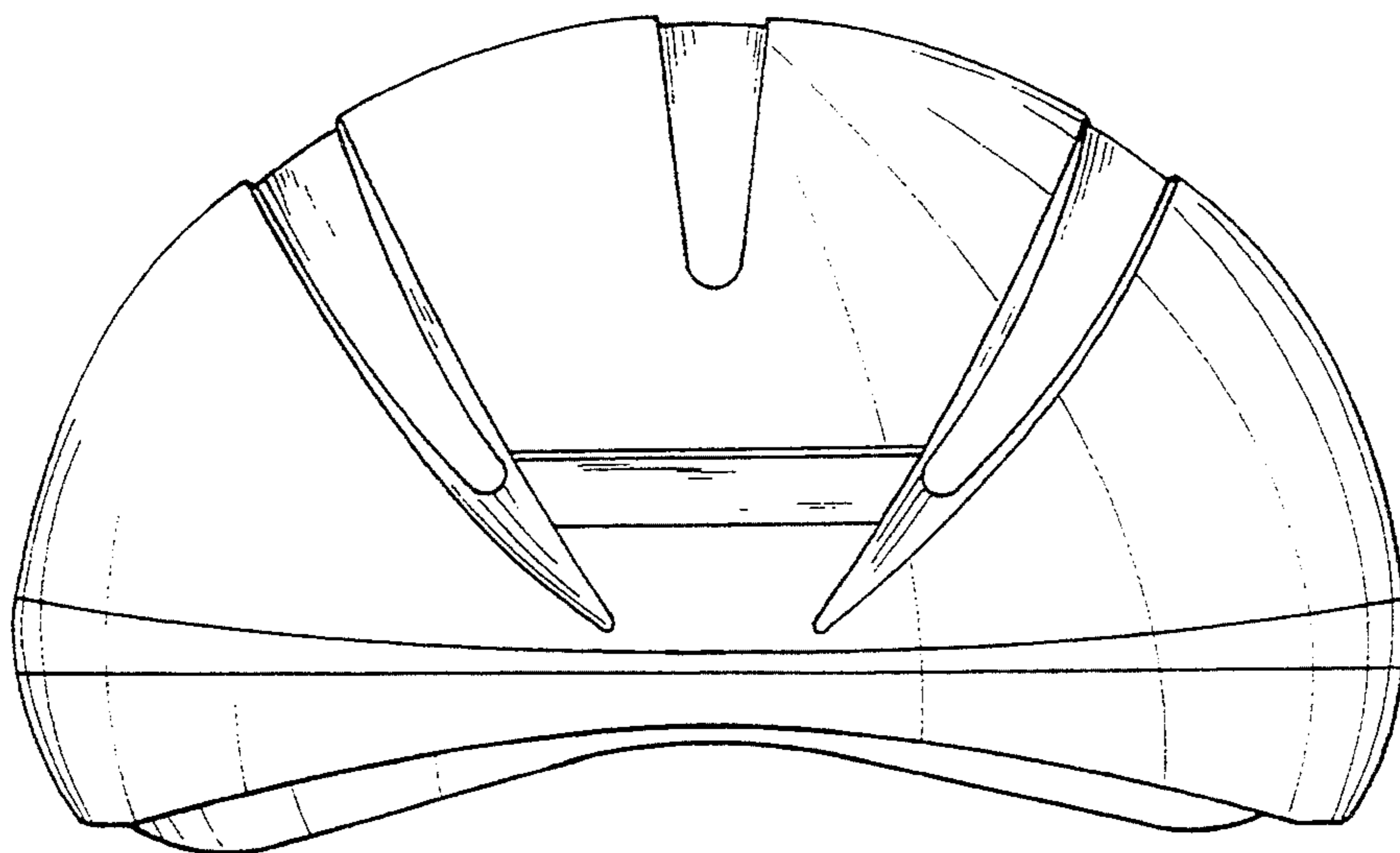


Fig. 2

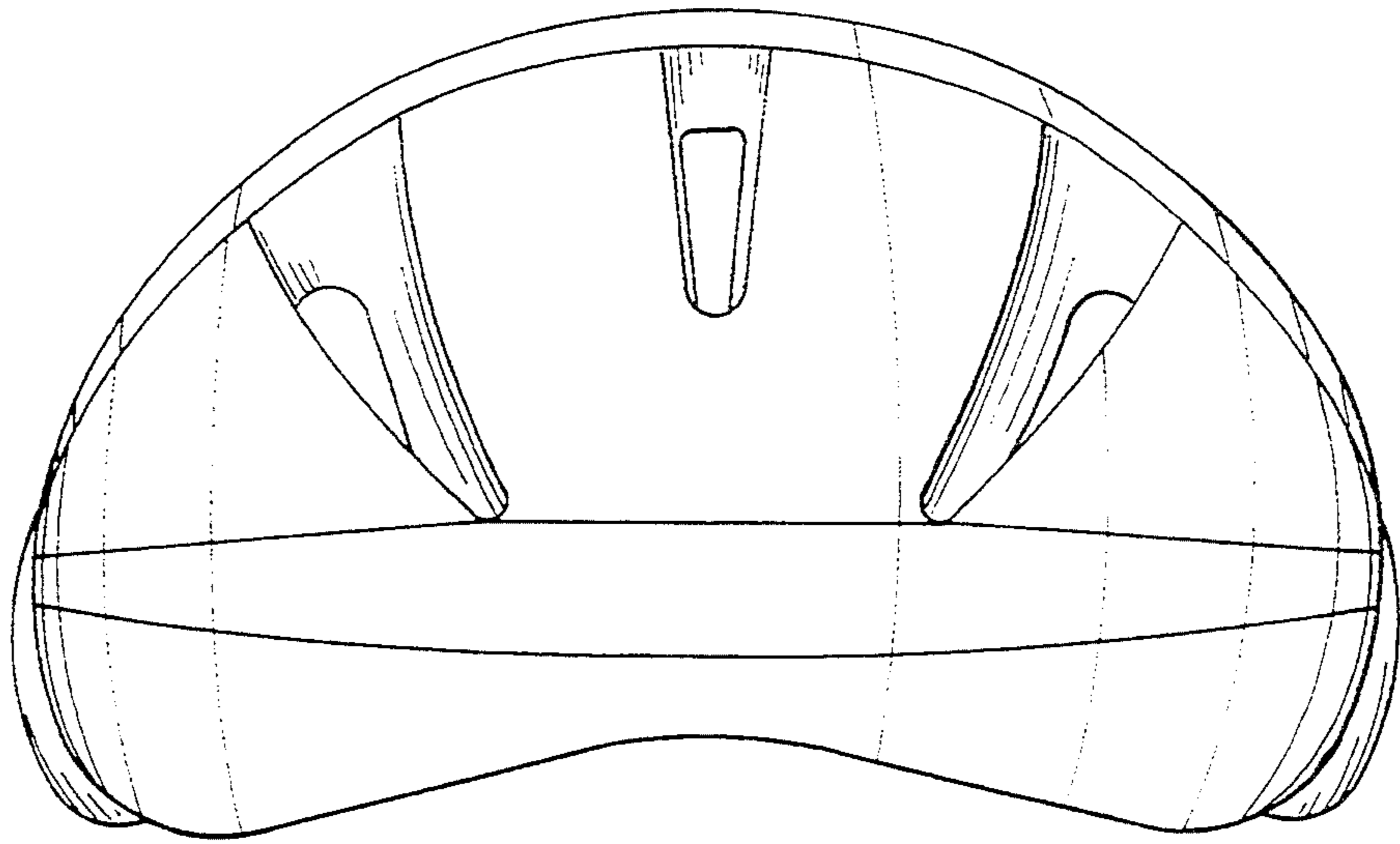


Fig. 3

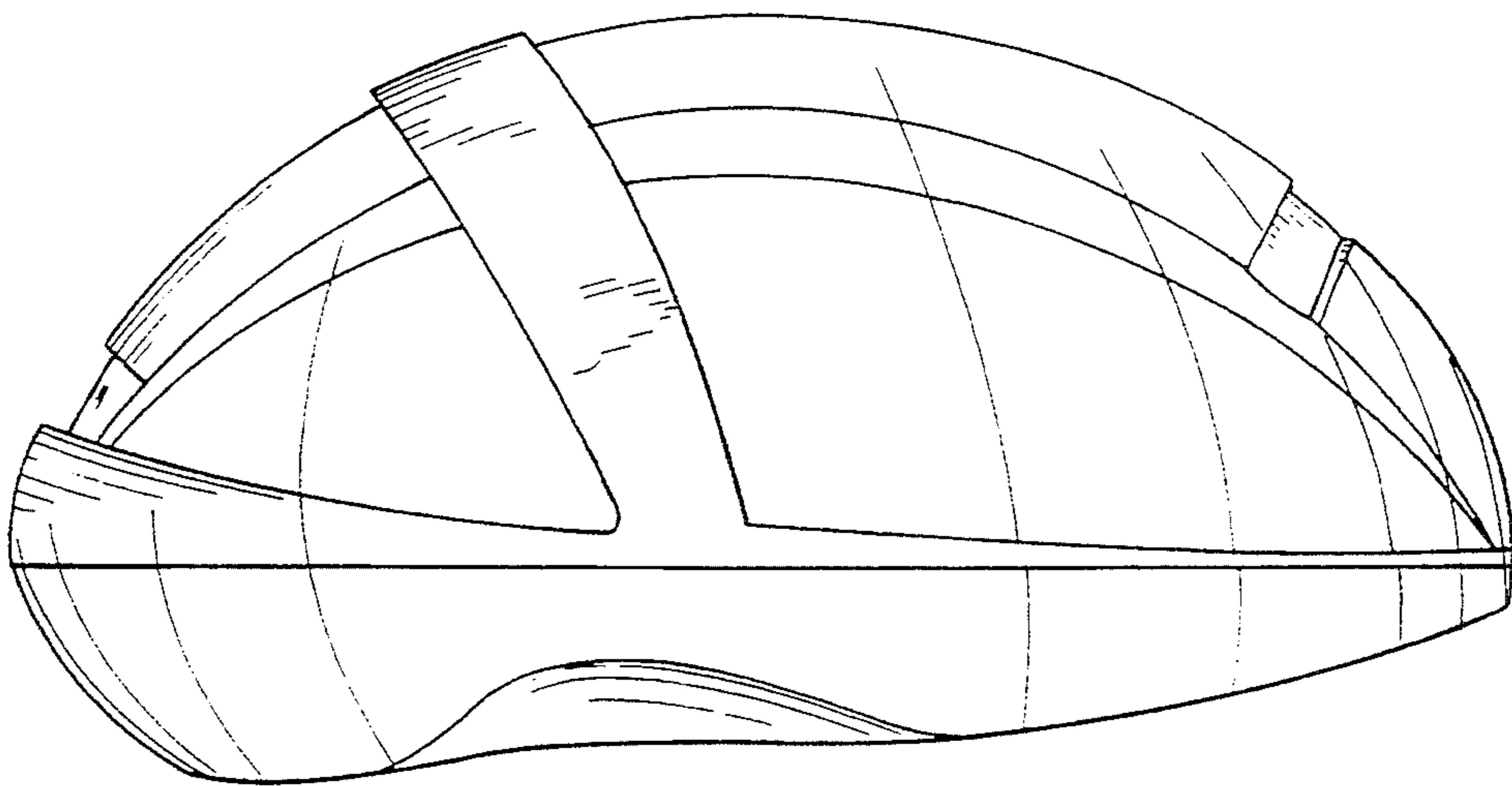


Fig. 4

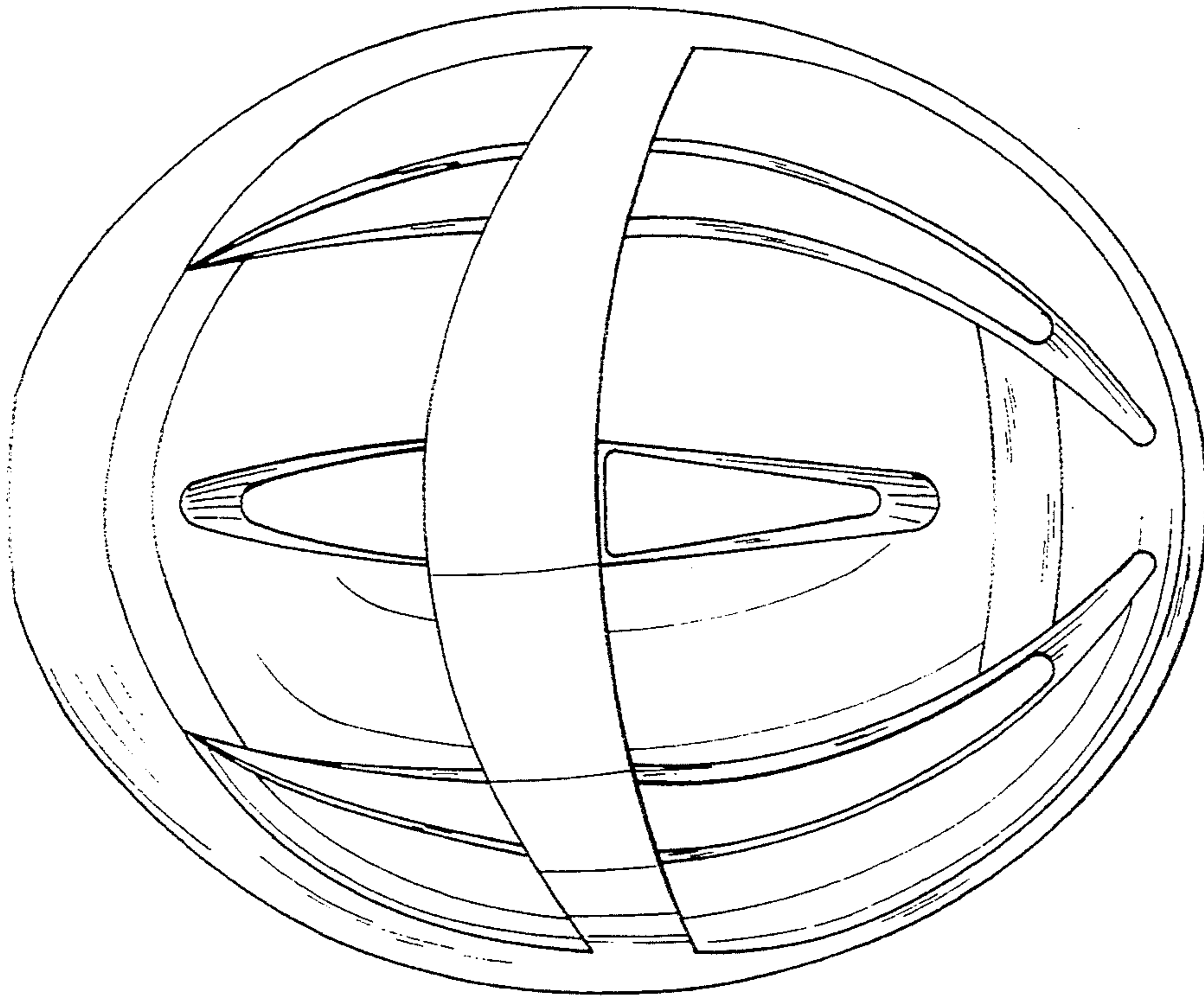


Fig. 5

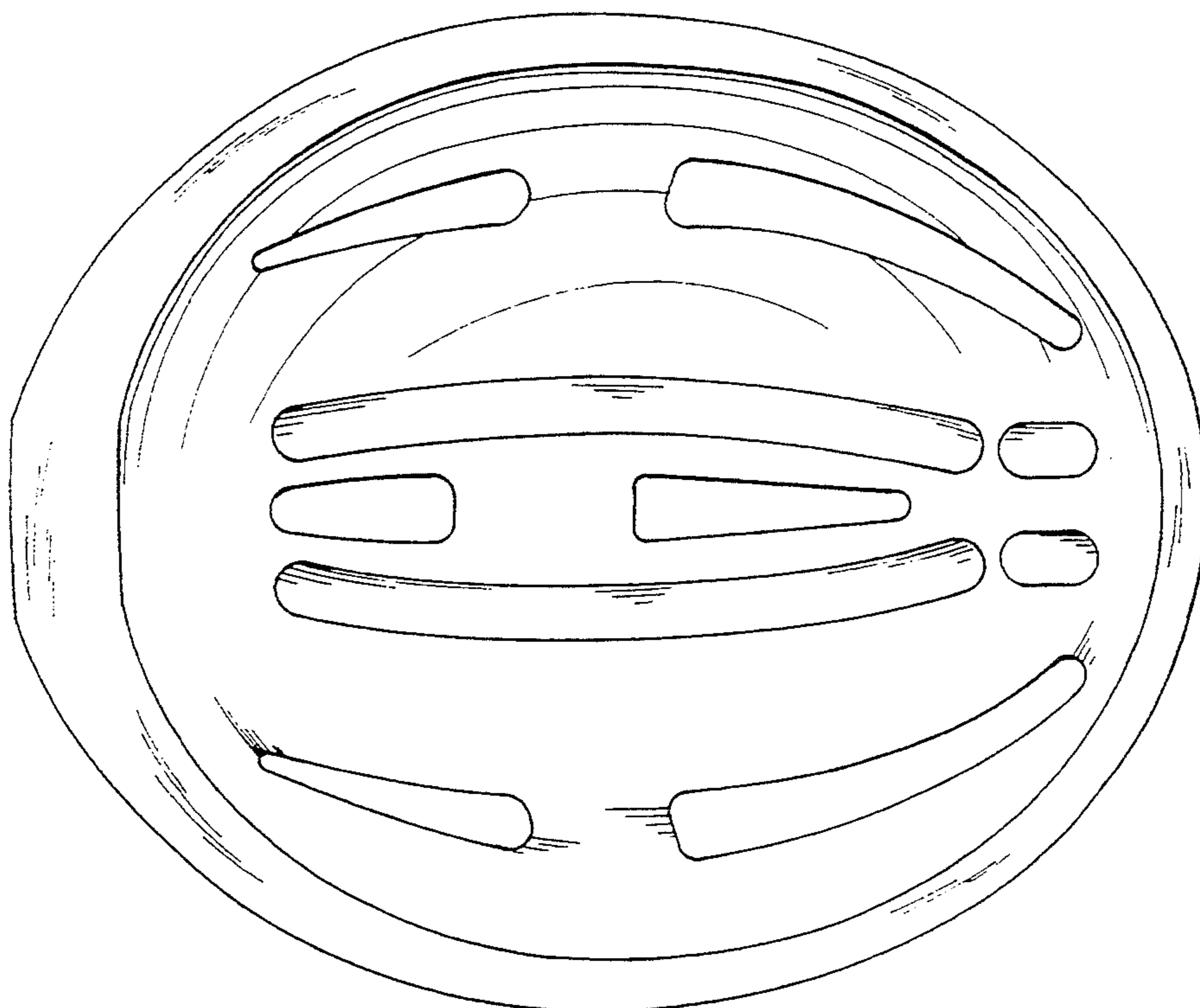


Fig. 6