



US00D361410S

# United States Patent [19] Ho

[11] Patent Number: **Des. 361,410**  
[45] Date of Patent: **\*\* Aug. 15, 1995**

[54] SAFETY HELMET  
[76] Inventor: **Chang-Hsien Ho**, 12F., No. 16, Sec. 1, Ho-Ping E. Road, Taipei, Taiwan  
[\*\*] Term: **14 Years**  
[21] Appl. No.: **13,424**  
[22] Filed: **Sep. 24, 1993**  
[52] U.S. Cl. .... **D29/102**  
[58] Field of Search ..... D29/102-107;  
D2/882, 893; 2/410-412, 414, 417-418, 423, 425

4,903,348 2/1990 Broersma ..... 2/425  
4,903,350 2/1990 Gentes et al. .... 2/425  
5,231,703 8/1993 Garneau ..... 2/425

*Primary Examiner*—Ruth McInroy  
*Attorney, Agent, or Firm*—Lowe, Price, LeBlanc & Becker

### [57] CLAIM

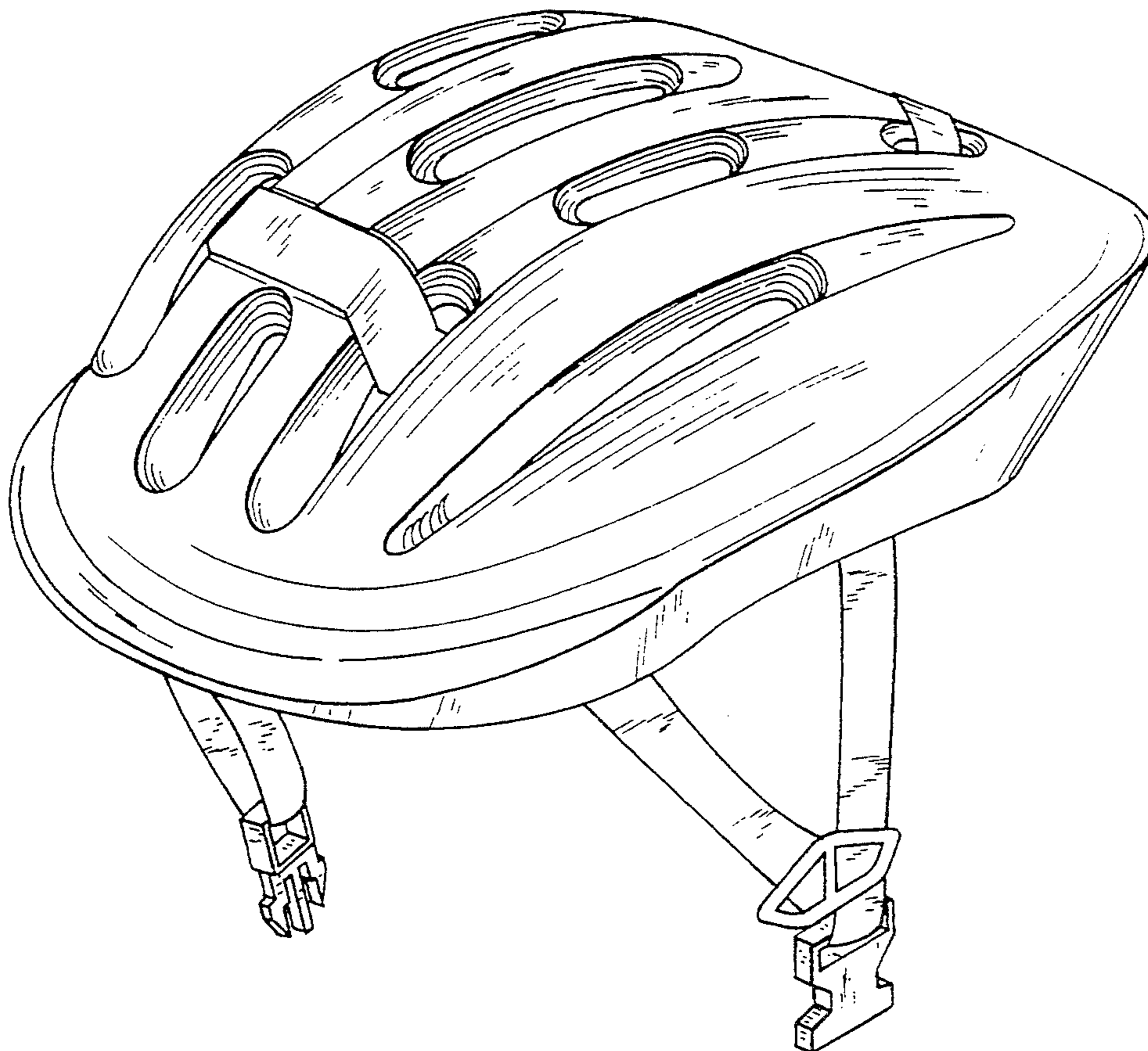
The ornamental design for a safety helmet, as shown and described.

### DESCRIPTION

FIG. 1 is a perspective view of a safety helmet showing my new design;  
FIG. 2 is a front elevational view thereof;  
FIG. 3 is a rear elevational view thereof;  
FIG. 4 is a right side elevational view thereof;  
FIG. 5 is a left side elevational view thereof;  
FIG. 6 is a top plan view thereof; and,  
FIG. 7 is a bottom plan view thereof.  
The fastening belt is removed from FIGS. 2-7 for clarify of illustration.

### [56] References Cited U.S. PATENT DOCUMENTS

D. 303,851	10/1989	Gentes	.....	D29/102
D. 309,961	8/1990	Bobrick	.....	D29/102
D. 319,112	8/1991	Broersma	.....	D29/102
D. 335,366	5/1993	Podd, III et al.	.....	D29/102
D. 347,300	5/1994	Gentes	.....	D29/102
D. 347,711	6/1994	Egger	.....	D29/102
D. 351,684	10/1994	Jeng	.....	D29/102



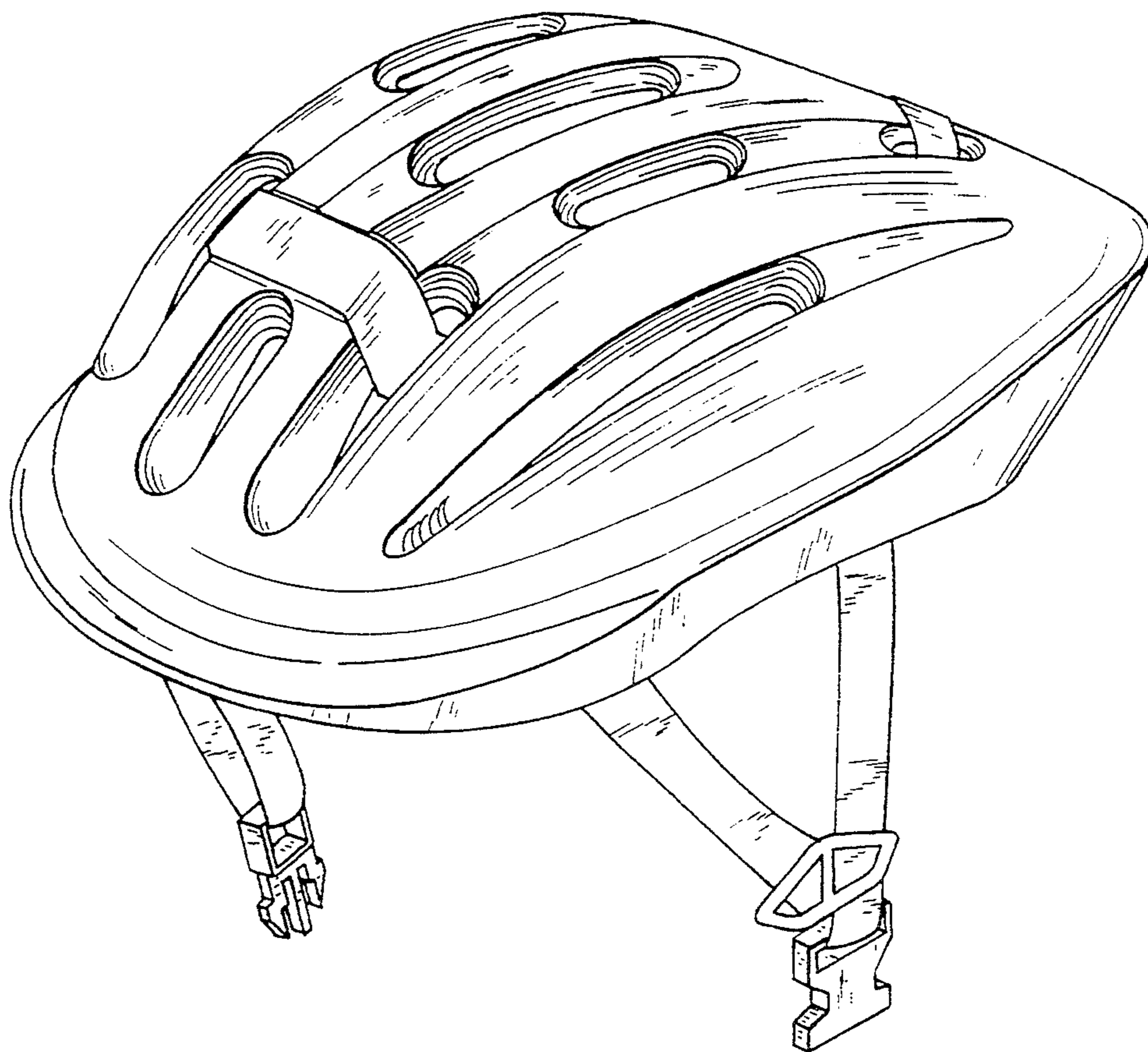


Fig. 1

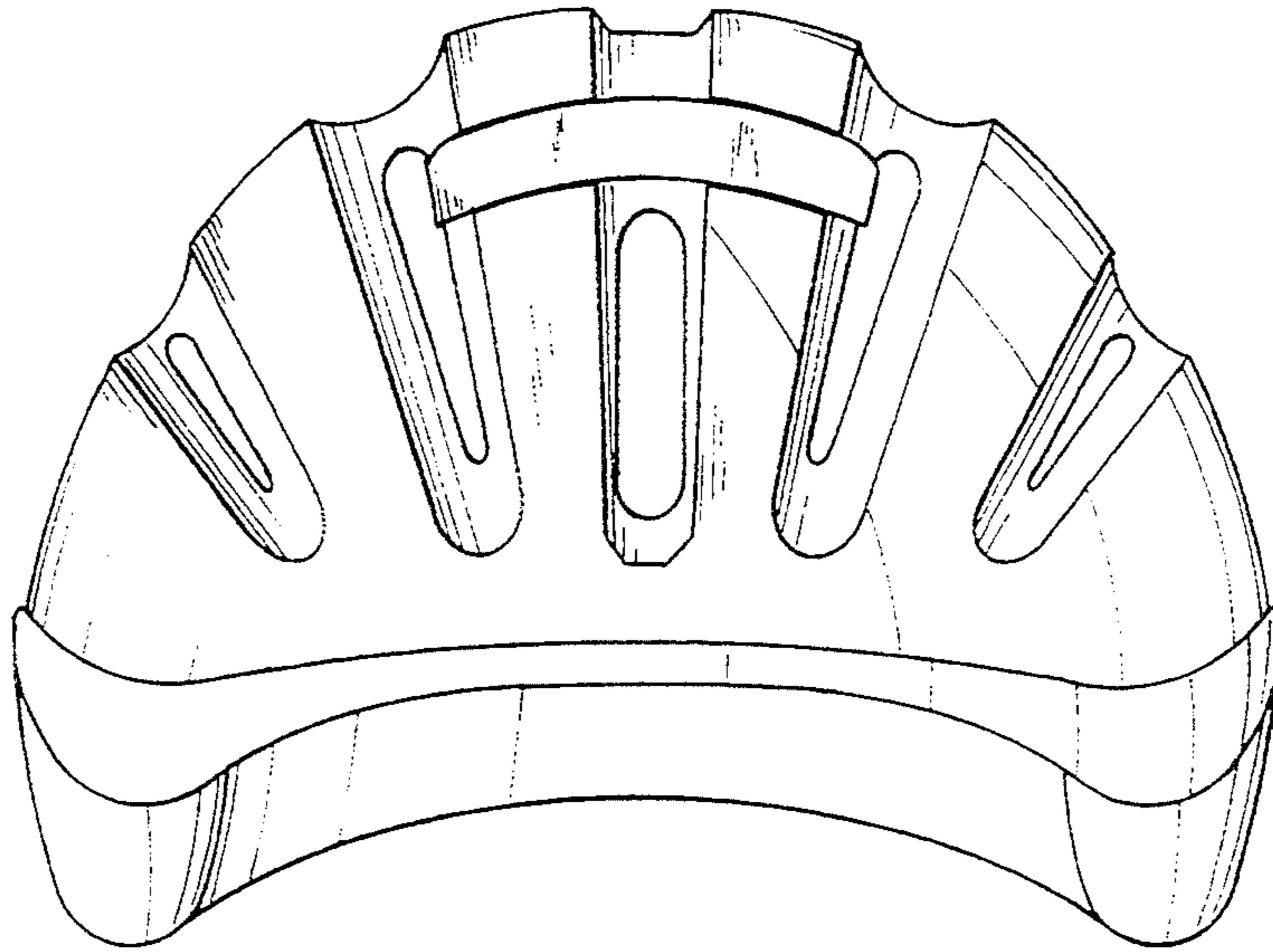


Fig. 2

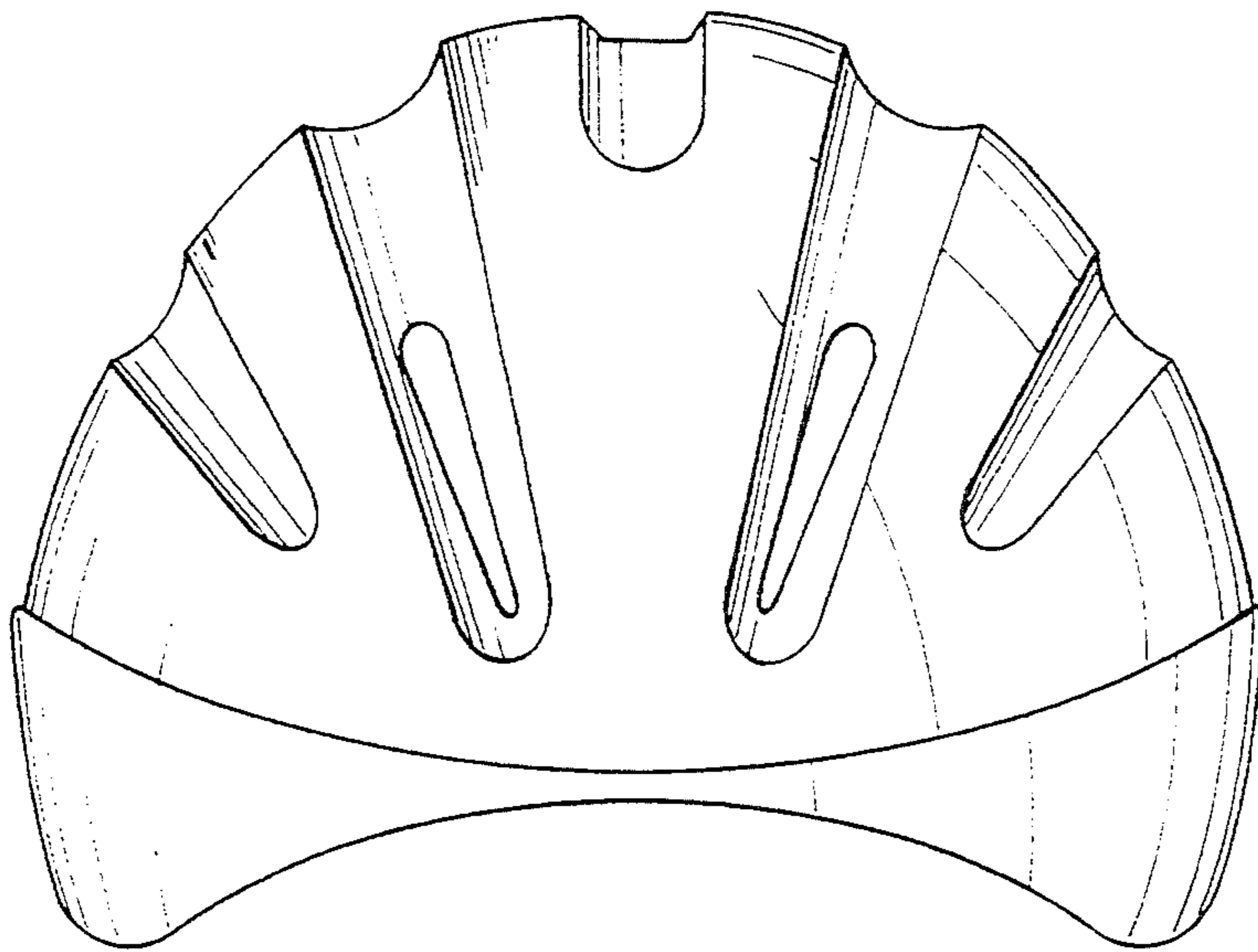


Fig. 3

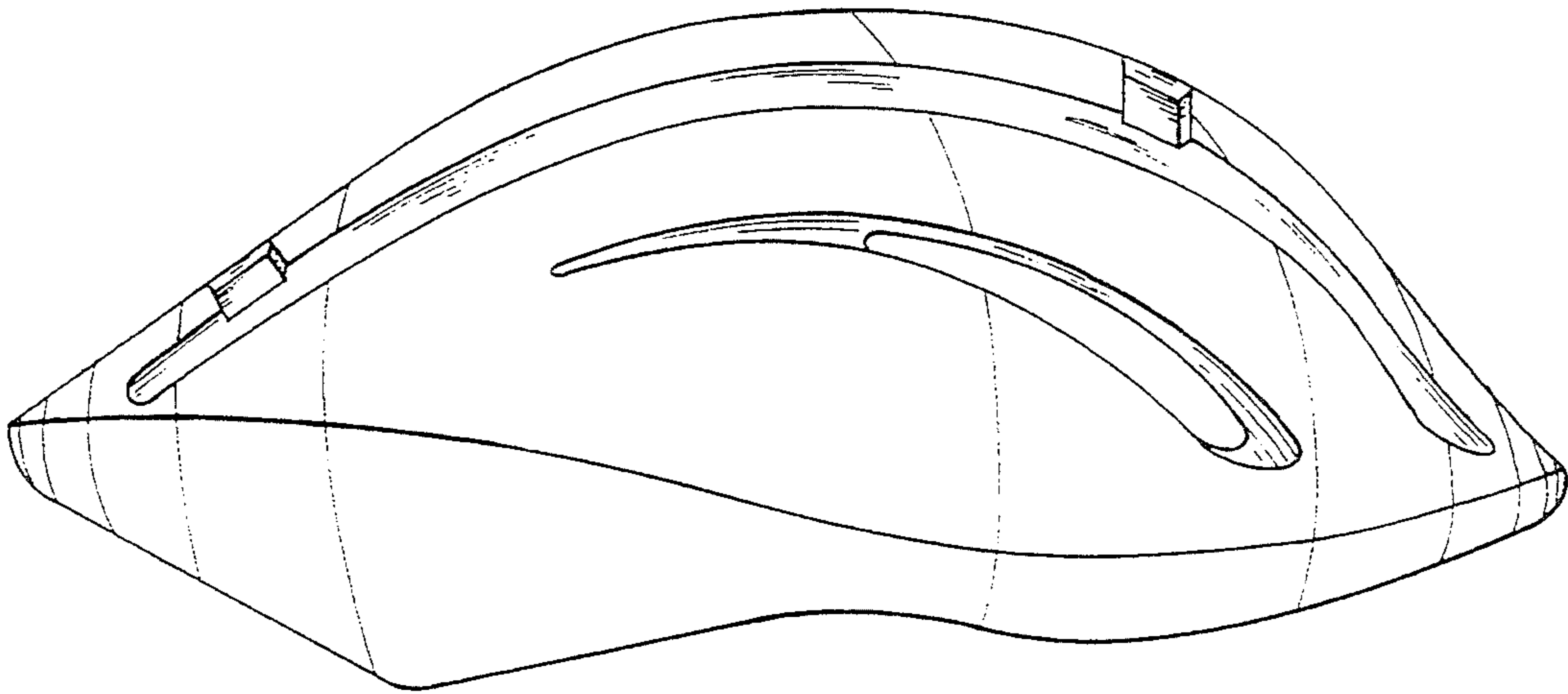


Fig. 4

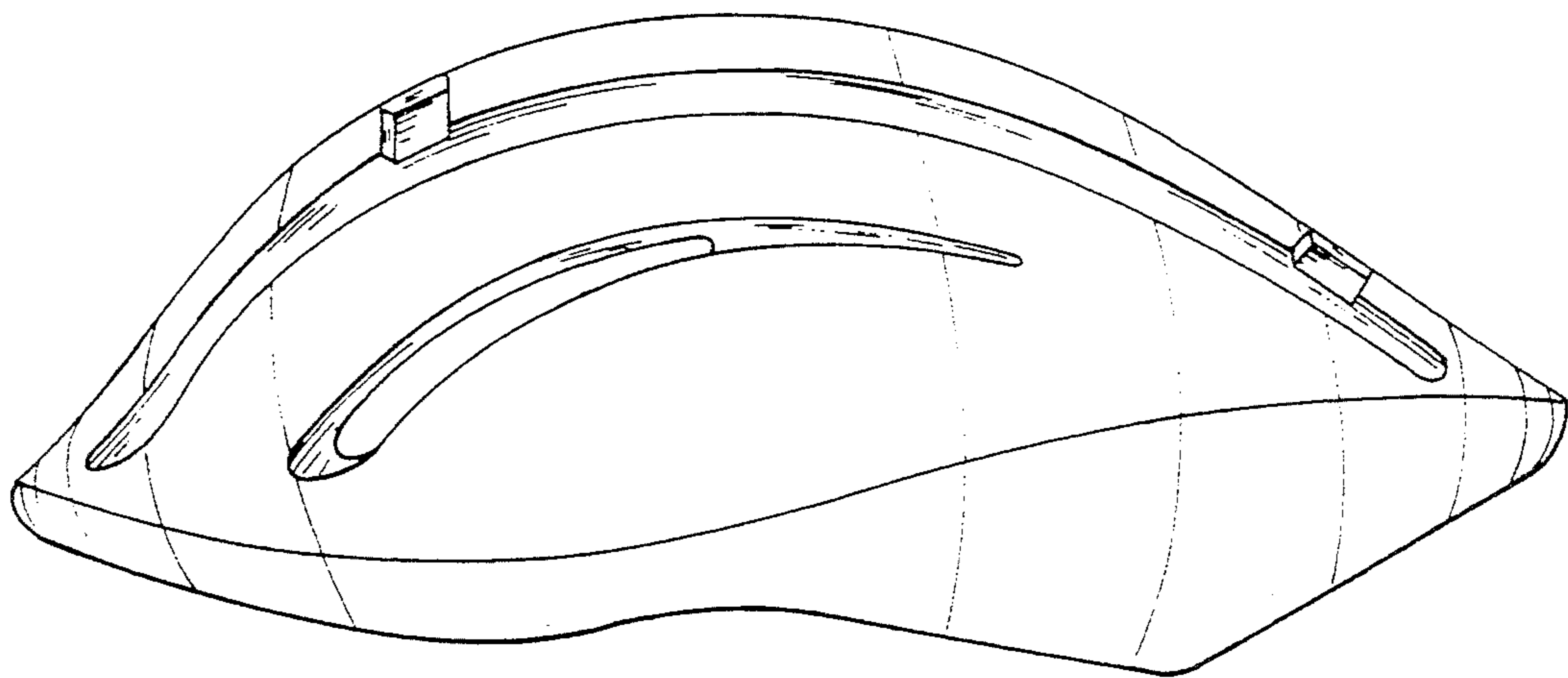


Fig. 5

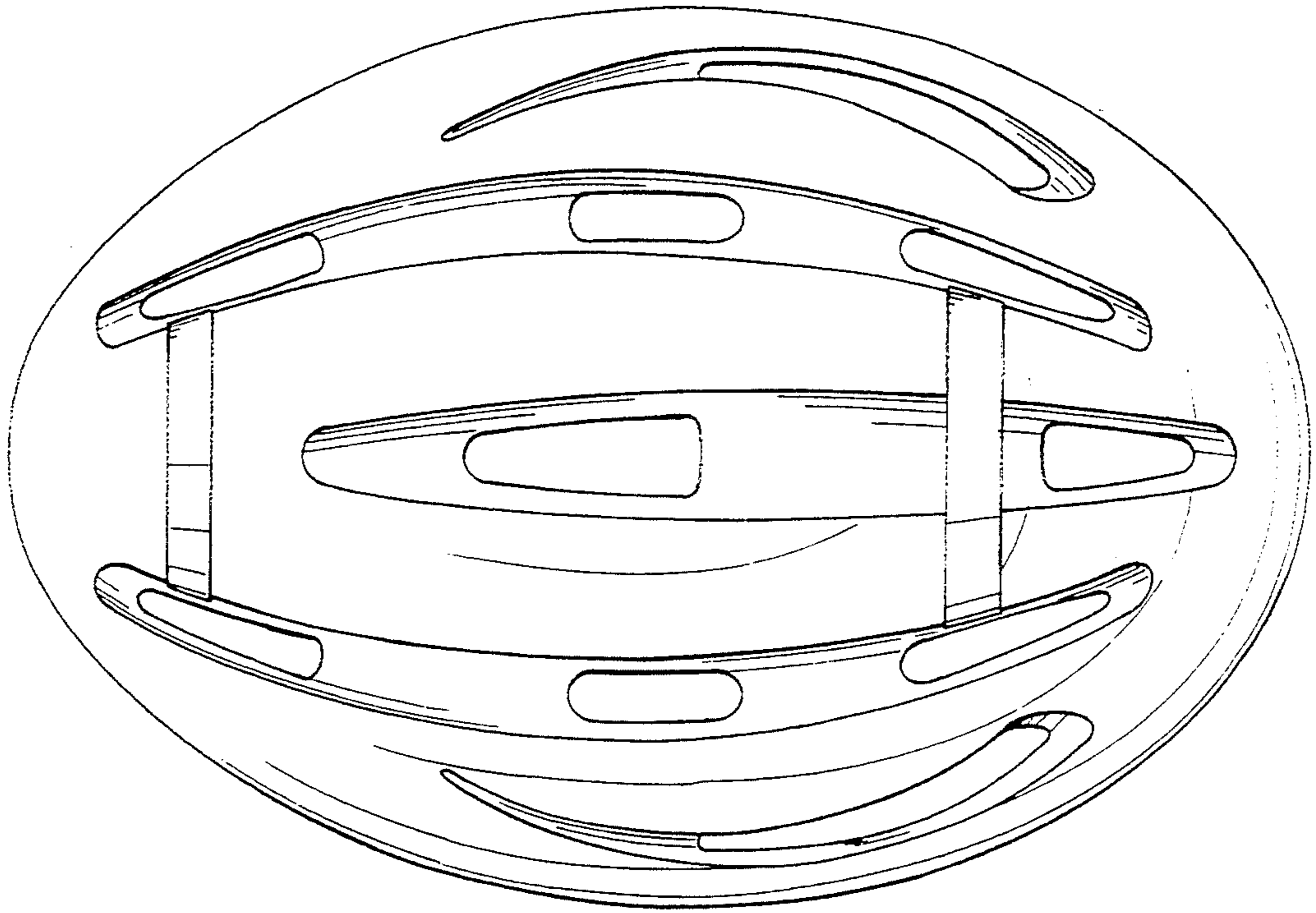


Fig. 6

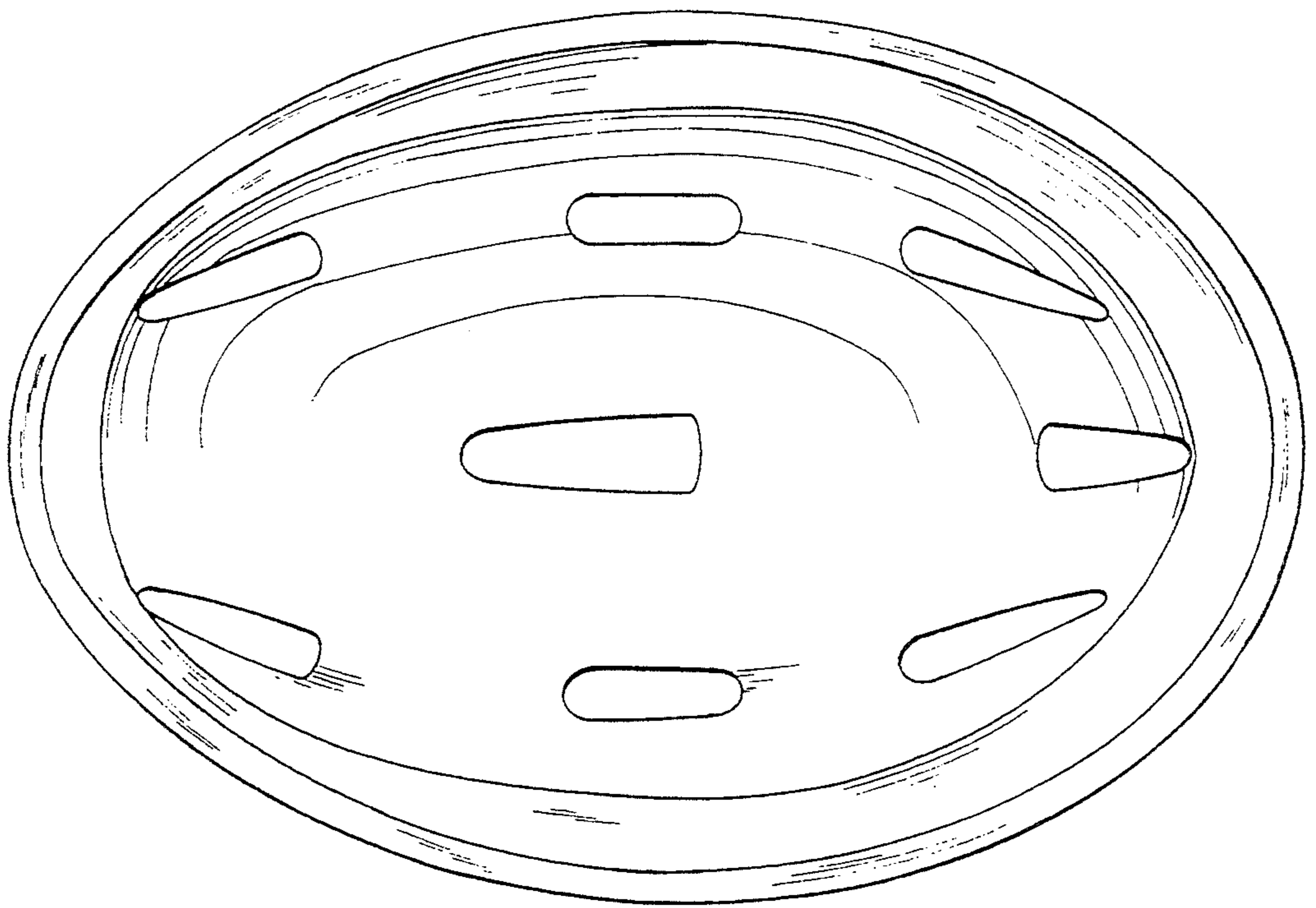


Fig. 7