



US00D361408S

United States Patent [19] Ho

[11] Patent Number: Des. 361,408

[45] Date of Patent: ** Aug. 15, 1995

[54] SAFETY HELMET

[76] Inventor: Chang-Hsien Ho, 12F., No.16, Sec.1,
Ho-Ping E. Road, Taipei, Taiwan

[**] Term: 14 Years

[21] Appl. No.: 13,422

[22] Filed: Sep. 24, 1993

[52] U.S. Cl. D29/102

[58] Field of Search D29/102-107;
D2/882, 893; 2/410-412, 414, 417-418, 423,
425

D. 351,684	10/1994	Jeng	D29/102
4,903,348	2/1990	Broersma	2/425
4,903,350	2/1990	Gentes et al.	2/425
5,231,703	8/1993	Garneau	2/425

Primary Examiner—Ruth McInroy
Attorney, Agent, or Firm—Lowe, Price, LeBlanc &
Becker

[57] CLAIM

The ornamental design for a safety helmet, as shown and described.

DESCRIPTION

FIG. 1 is a perspective view of a safety helmet showing my new design;

FIG. 2 is a front elevational view thereof;

FIG. 3 is a rear elevational view thereof;

FIG. 4 is a side elevational view thereof;

FIG. 5 is a top plan view thereof; and,

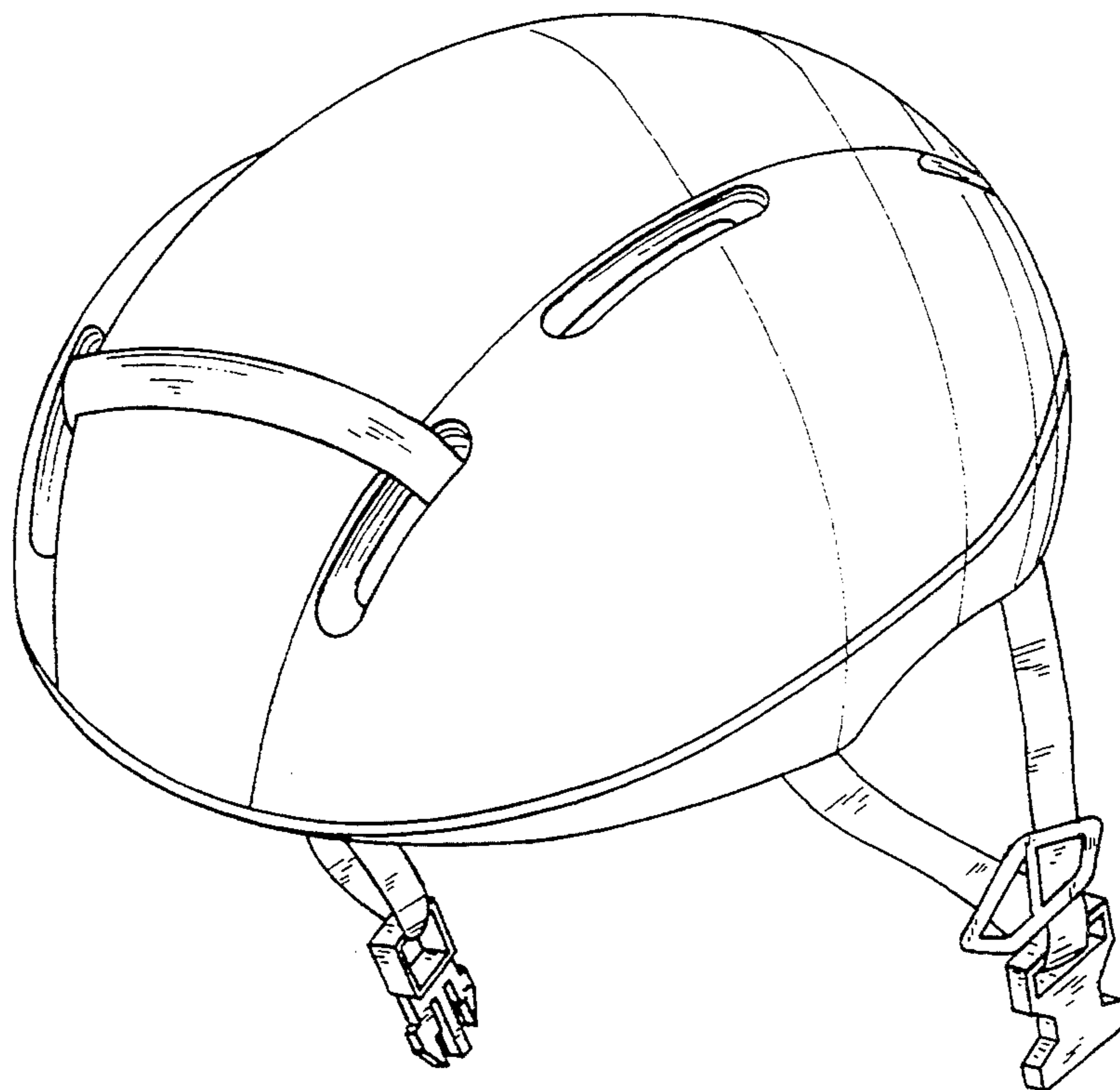
FIG. 6 is a bottom plan view thereof.

The fastening belt is removed in FIGS. 2-6 for clarity of illustration.

[56] References Cited

U.S. PATENT DOCUMENTS

D. 303,851	10/1989	Gentes	D29/102
D. 309,961	8/1990	Bobrick	D29/102
D. 319,112	8/1991	Broersma	D29/102
D. 335,366	5/1993	Podd, III et al.	D29/102
D. 347,300	5/1994	Gentes	D29/102
D. 347,711	6/1994	Egger	D29/102



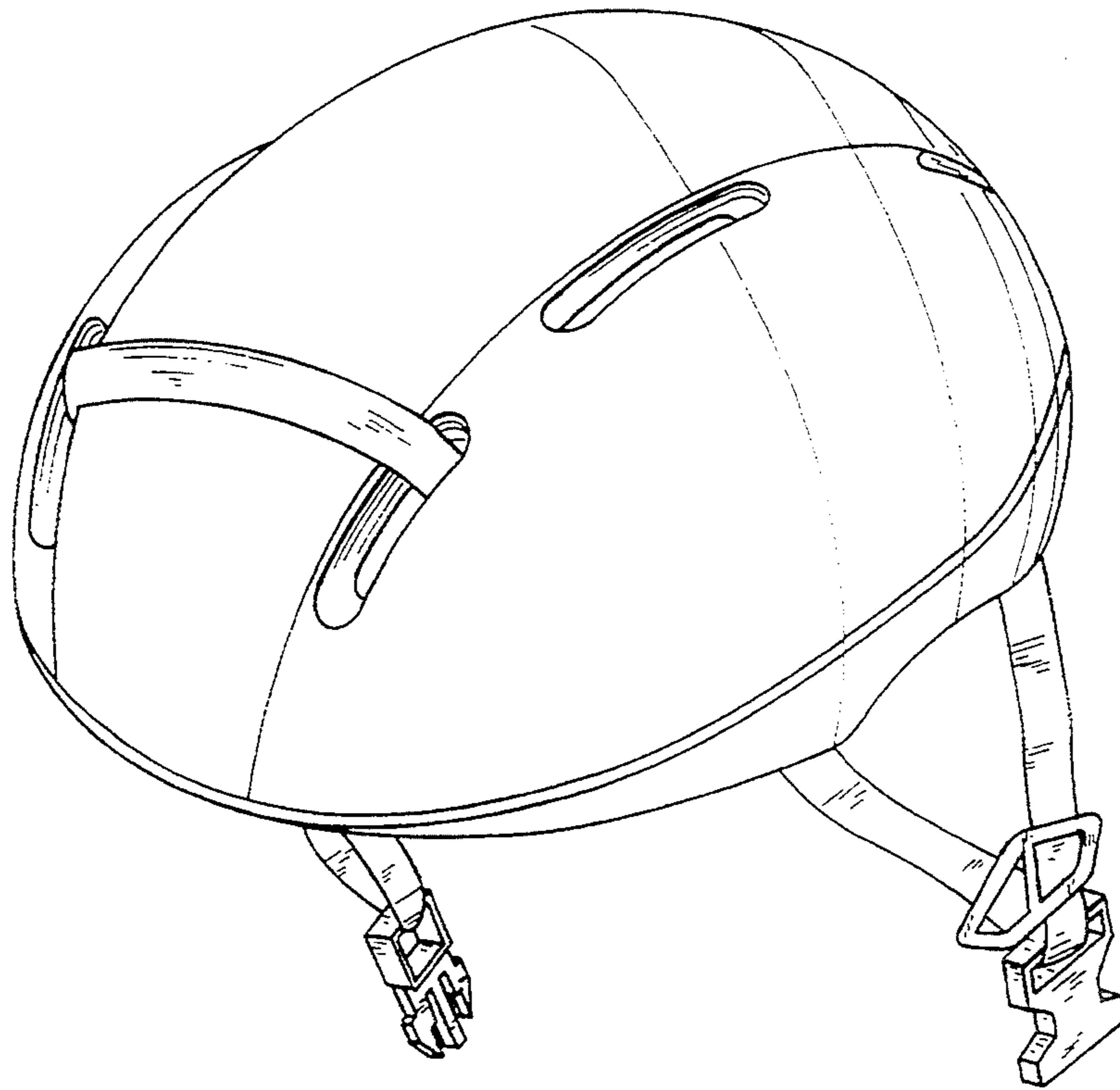


Fig. 1

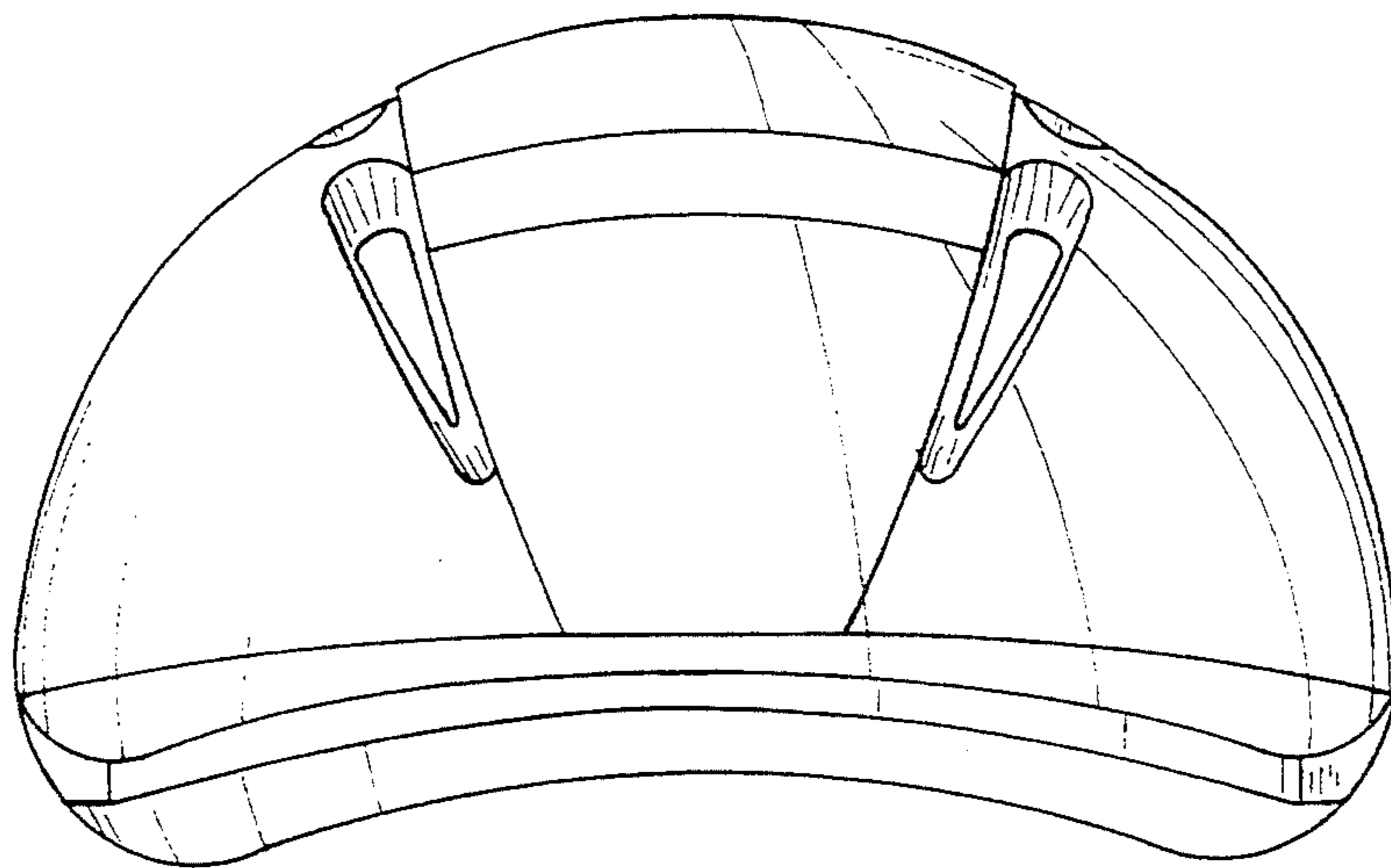


Fig. 2

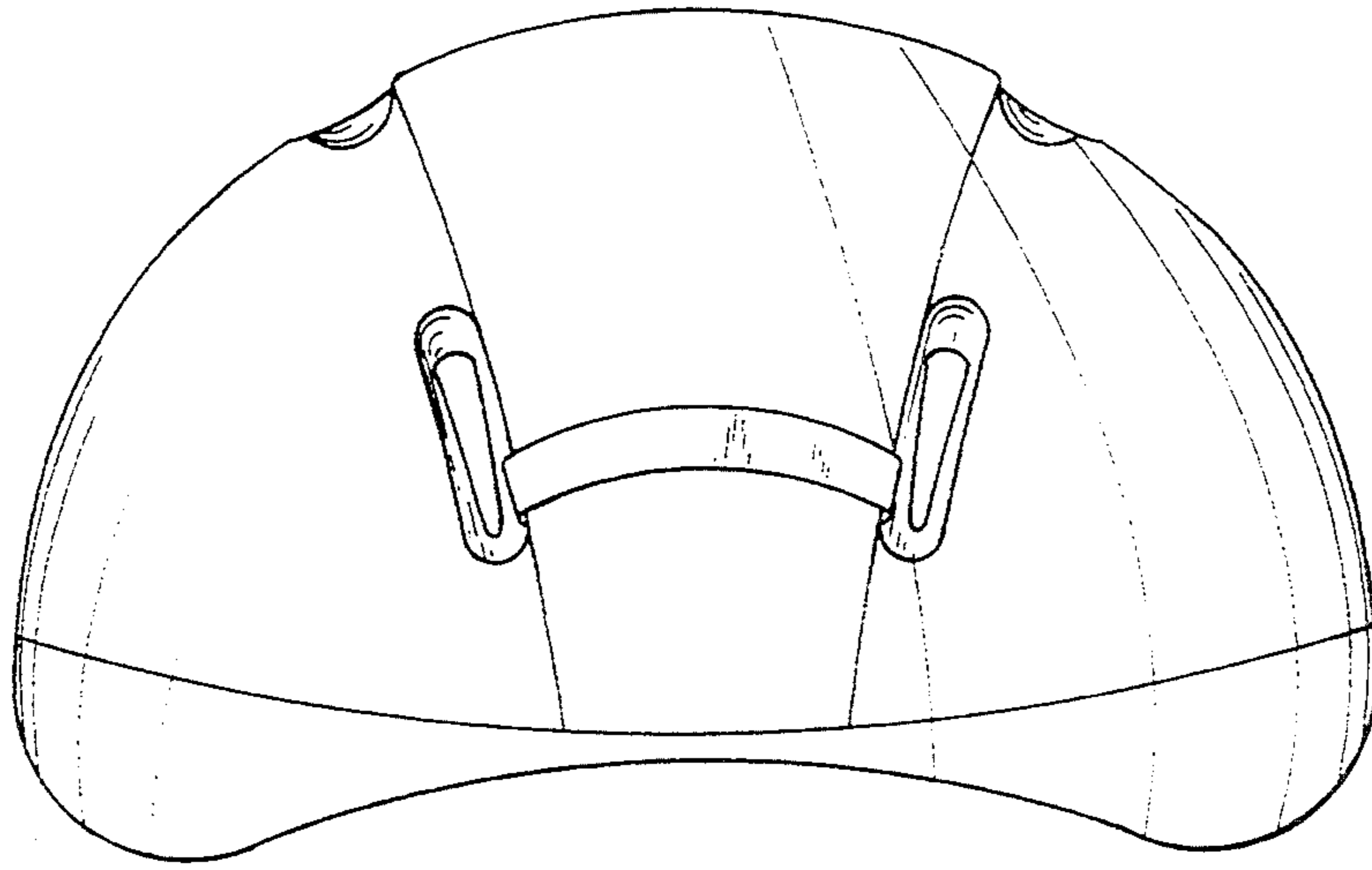


Fig. 3

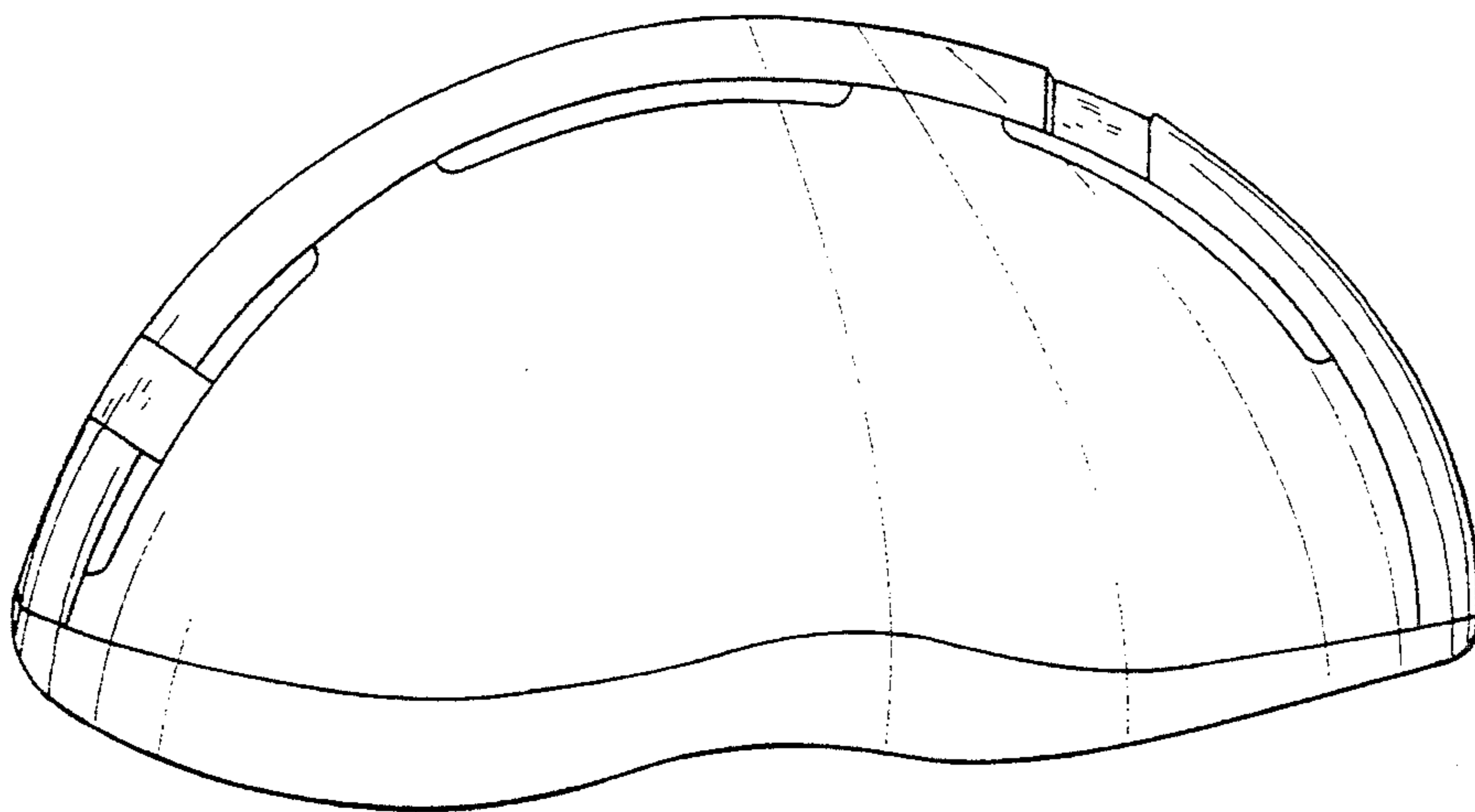


Fig. 4

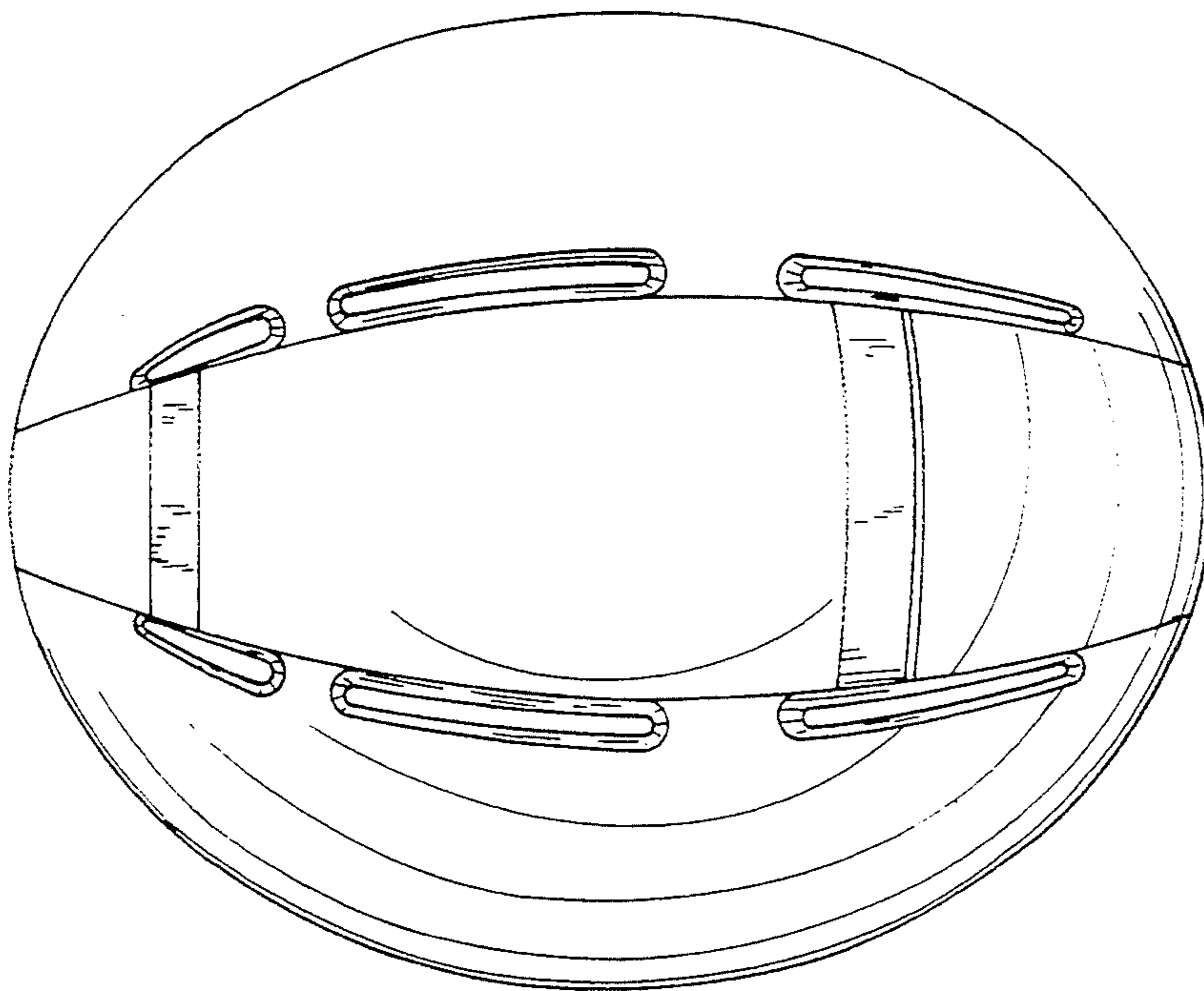


Fig. 5

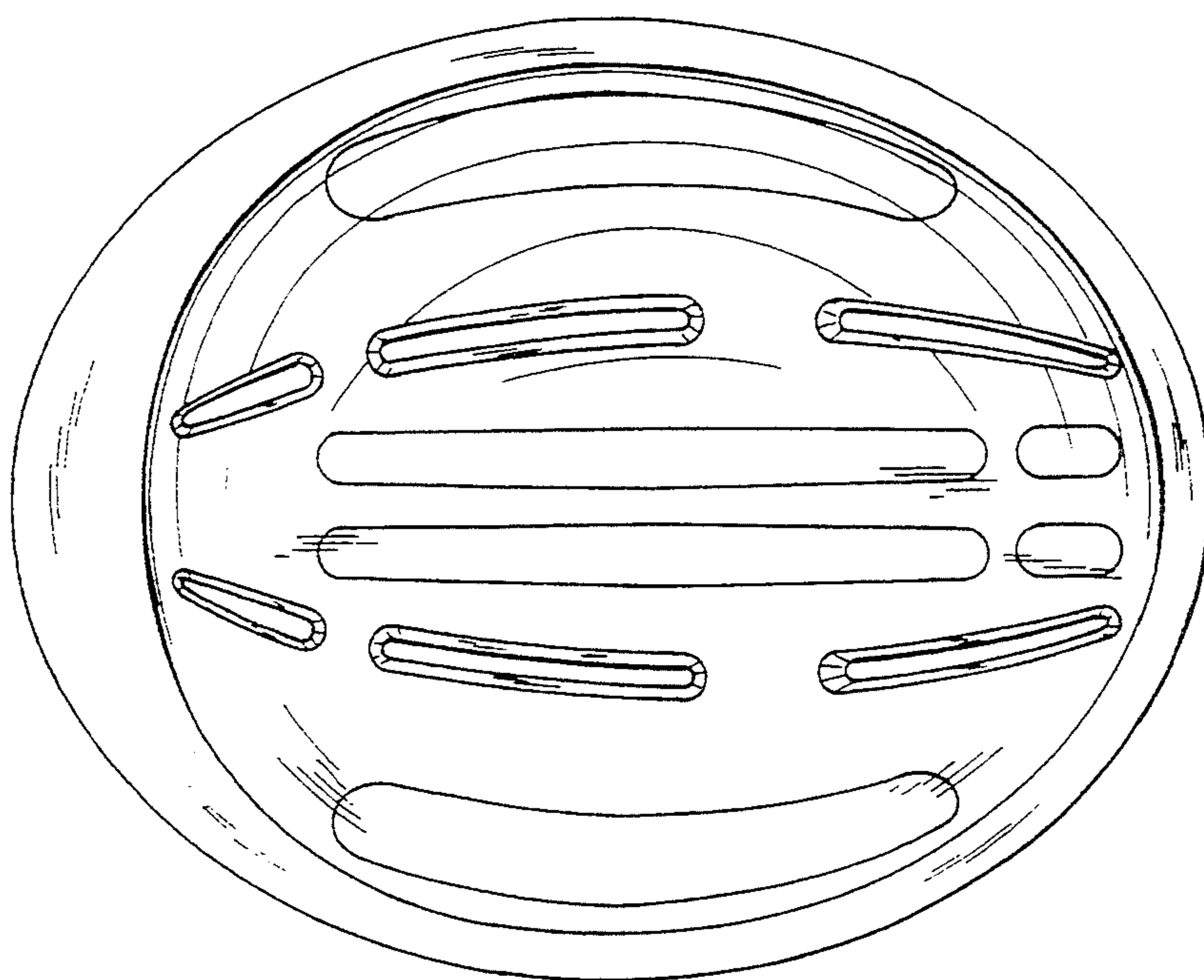


Fig. 6