



US00D361401S

United States Patent [19]

[11] Patent Number: **Des. 361,401**

Von Kluck

[45] Date of Patent: **** Aug. 15, 1995**

- [54] LAMP
- [75] Inventor: **Kevin Von Kluck**, Hudson, Ohio
- [73] Assignee: **The L. D. Kichler Co.**, Cleveland, Ohio
- [**] Term: **14 Years**
- [21] Appl. No.: **20,571**
- [22] Filed: **Apr. 4, 1994**
- [52] U.S. Cl. **D26/106**
- [58] Field of Search **D26/93, 102-112; 362/410-414**

[56] **References Cited**
U.S. PATENT DOCUMENTS

- D. 75,348 5/1928 Beardsley D26/107
- D. 79,496 10/1929 Bray D26/107
- D. 341,674 11/1993 Porter D26/106
- D. 342,803 12/1993 Porter D26/106
- D. 348,951 7/1994 Porter D26/106

OTHER PUBLICATIONS

Minoff Lamp Catalog No. 493, copyrighted 1993.
 Crackle Lamp Catalog page, Table Lamp.
 Electrix ® Torchieres Catalog p. 10, Torchiere #6009.
 Koch & Lowy Lamp AD, Floor Lamp #F-2089-1.
 Sunset-Richards Lighting Catalog, p. 5 Floor Lamp XF5075.

Primary Examiner—Susan J. Lucas
Attorney, Agent, or Firm—Watts, Hoffmann, Fisher & Heinke Co.

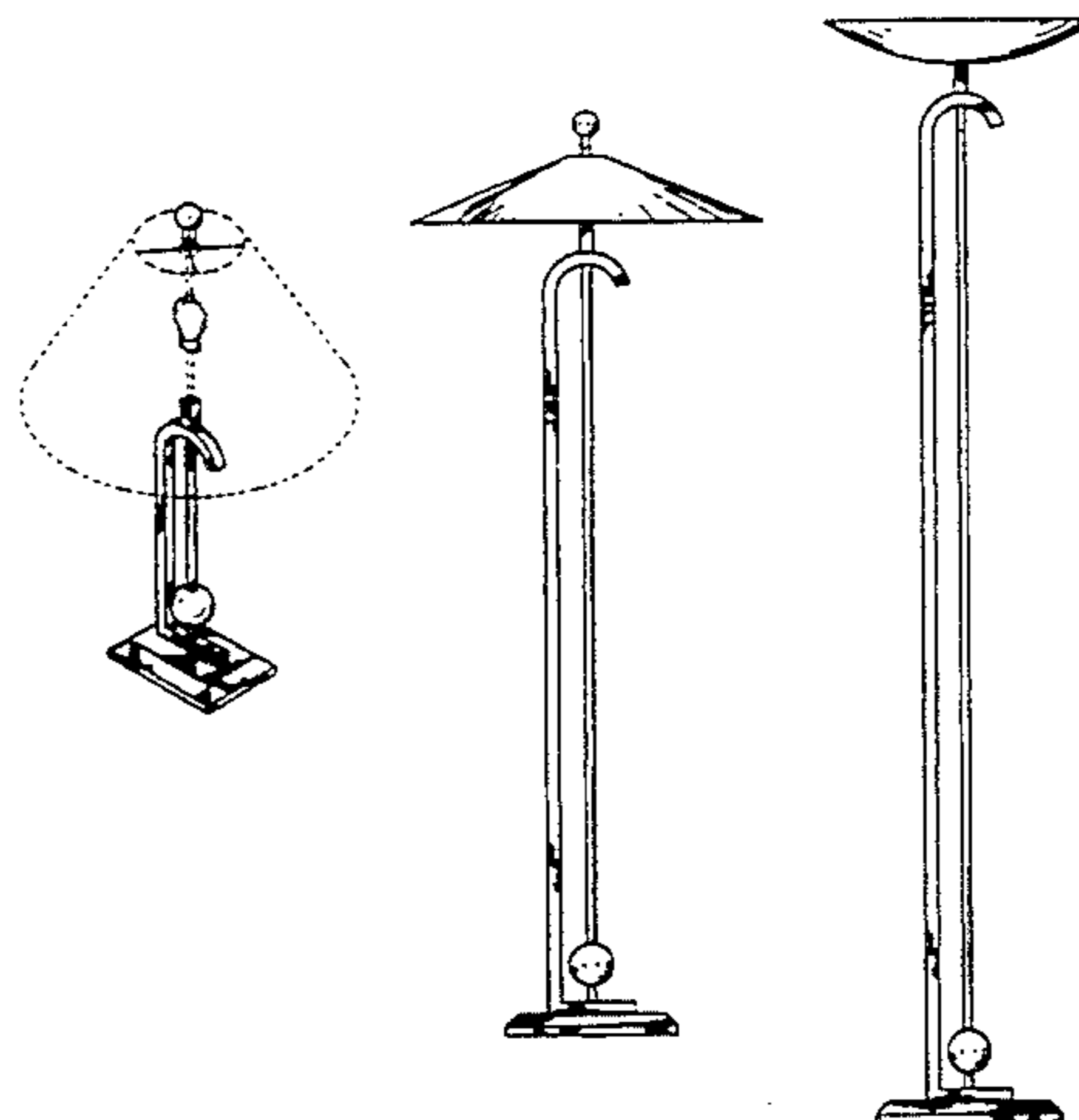
[57] **CLAIM**

The ornamental design for a lamp, as shown and described.

DESCRIPTION

FIG. 1 is a perspective view of the lamp showing my new design as embodied as a table lamp;
 FIG. 2 is a left side elevational view of the table lamp, the right side elevational view being a mirror image;
 FIG. 3 is a top plan view of the table lamp;
 FIG. 4 is a bottom plan view of the table lamp;
 FIG. 5 is a front elevational view of the table lamp;
 FIG. 6 is a rear elevational view of the table lamp;
 FIG. 7 is a perspective view of a second embodiment of

the lamp showing my new design as embodied in a floor lamp;
 FIG. 8 is a left side elevational view of the floor lamp, the right side elevational view being a mirror image;
 FIG. 9 is a top plan view of the floor lamp;
 FIG. 10 is a bottom plan view of the floor lamp;
 FIG. 11 is a front elevational view of the floor lamp;
 FIG. 12 is a rear elevational view of the floor lamp;
 FIG. 13 is a perspective view of a third embodiment of the lamp showing my new design as embodied in a table lamp;
 FIG. 14 is a left side elevational view of the table lamp in FIG. 13, the right side elevational view being a mirror image;
 FIG. 15 is a top plan view of the table lamp in FIG. 13;
 FIG. 16 is a bottom plan view of the table lamp in FIG. 13;
 FIG. 17 is a front elevational view of the table lamp in FIG. 13;
 FIG. 18 is a rear elevational view of the table lamp in FIG. 13;
 FIG. 19 is a perspective view of a fourth embodiment of the lamp showing my new design as embodied in a floor lamp;
 FIG. 20 is a left side elevational view of the floor lamp in FIG. 19, the right side elevational view being a Mirror image;
 FIG. 21 is a top plan view of the floor lamp in FIG. 19;
 FIG. 22 is a bottom plan view of the floor lamp in FIG. 19;
 FIG. 23 is a front elevational view of the floor lamp in FIG. 19;
 FIG. 24 is a rear elevational view of the floor lamp in FIG. 19;
 FIG. 25 is a perspective view of a fifth embodiment of the lamp showing my new design as embodied in a floor lamp;
 FIG. 26 is a left side elevational view of the floor lamp in FIG. 25, the right side elevational view being a mirror image;
 FIG. 27 is a top plan view of the floor lamp in FIG. 25;
 FIG. 28 is a bottom plan view of the floor lamp in FIG. 25;
 FIG. 29 is a front elevational view of the floor lamp in FIG. 25; and
 FIG. 30 is a rear elevational view of the floor lamp in FIG. 25.
 The lamp shade is shown in broken lines, in FIG. 1-12, for illustrative purposes only and forms no part of the claimed design.



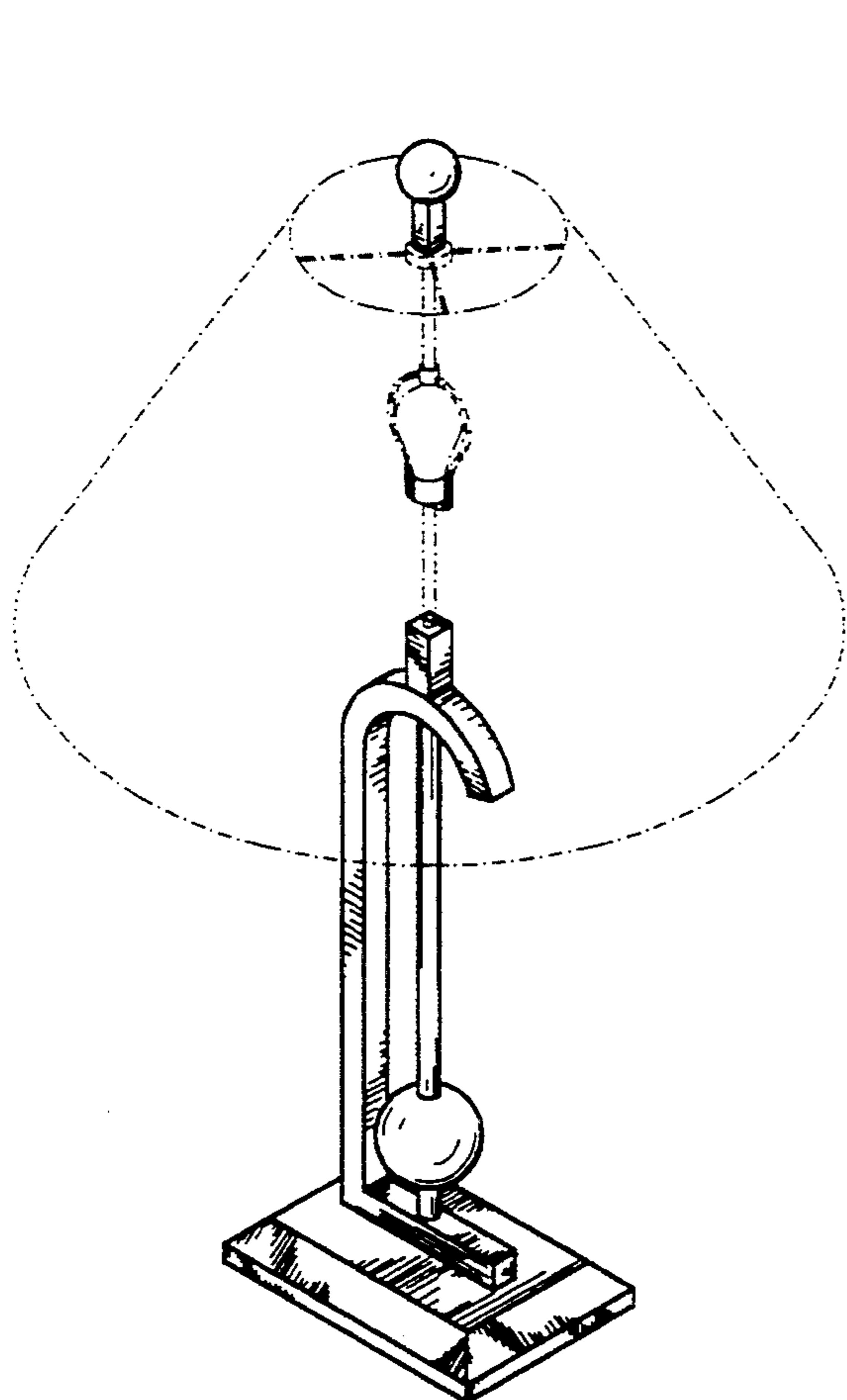


Fig.1

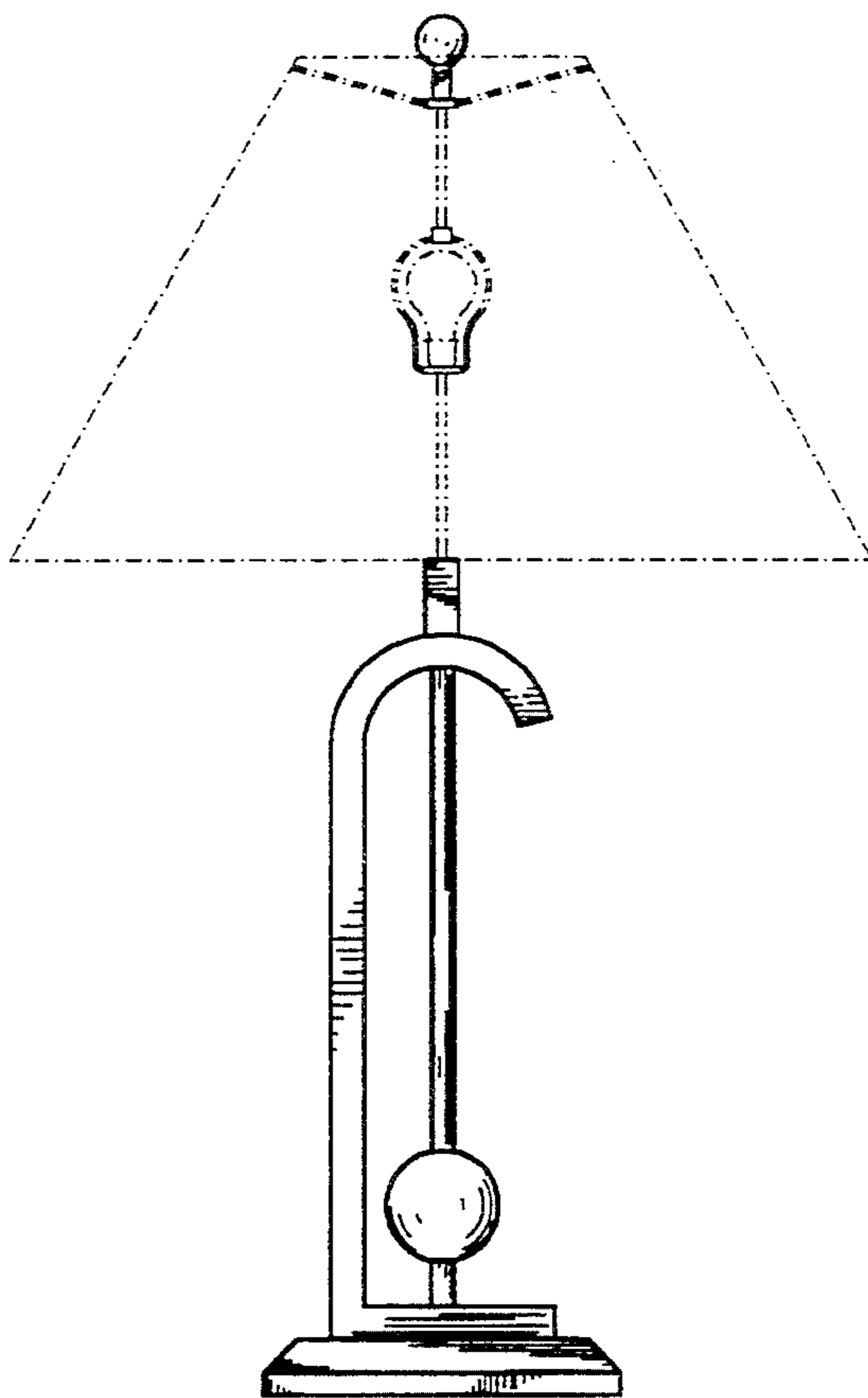


Fig.2

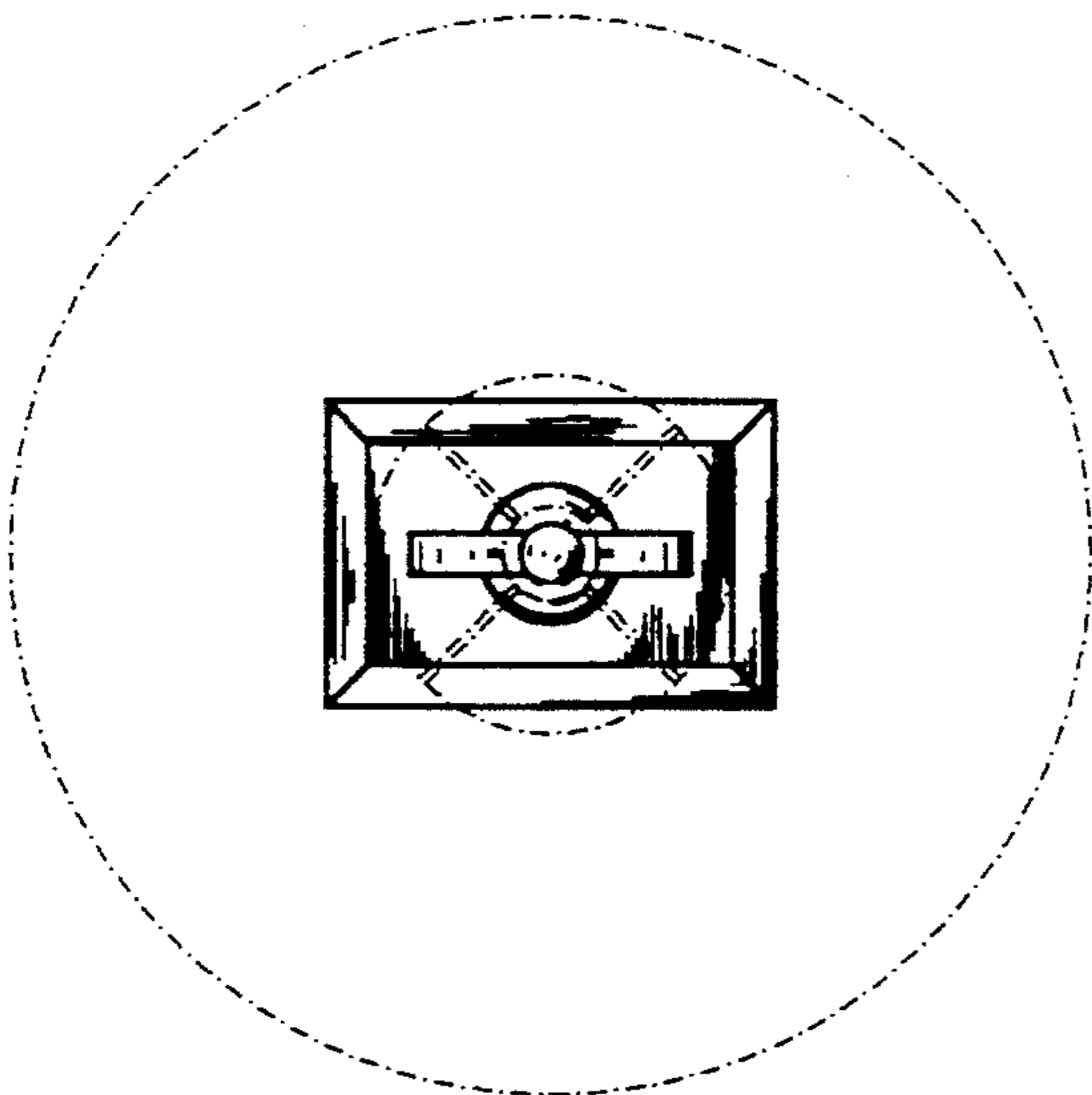


Fig.3

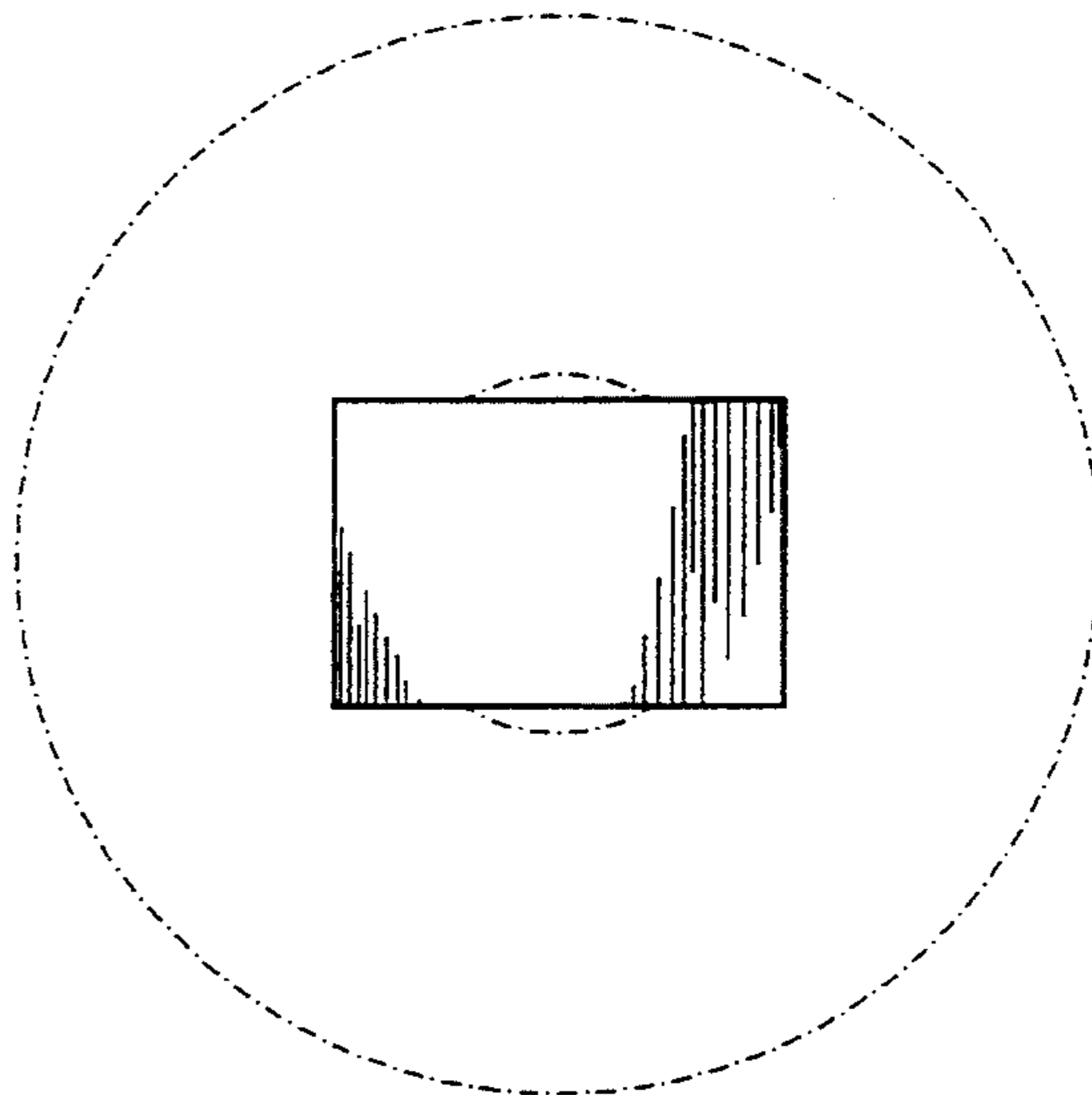


Fig.4

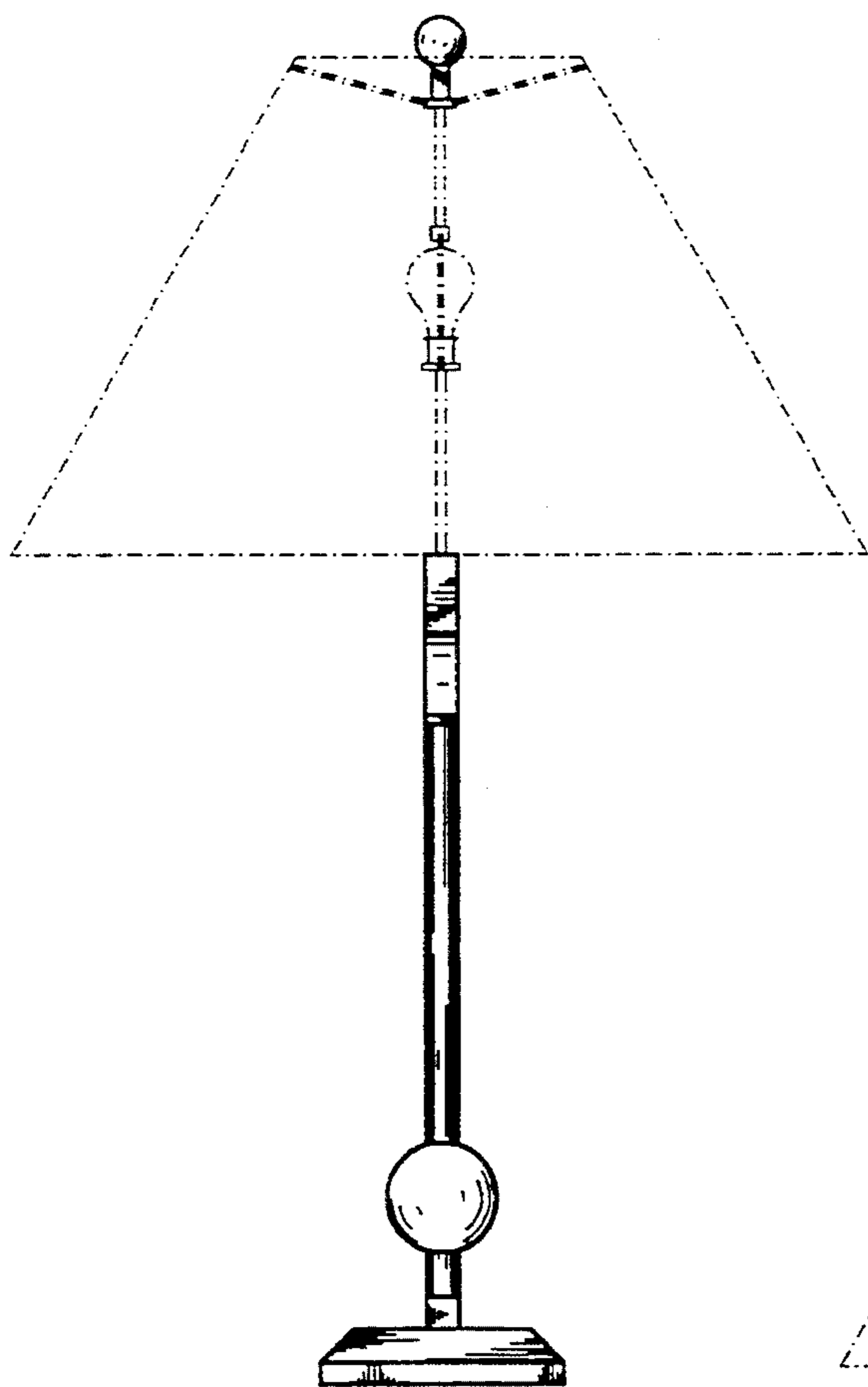


Fig.5

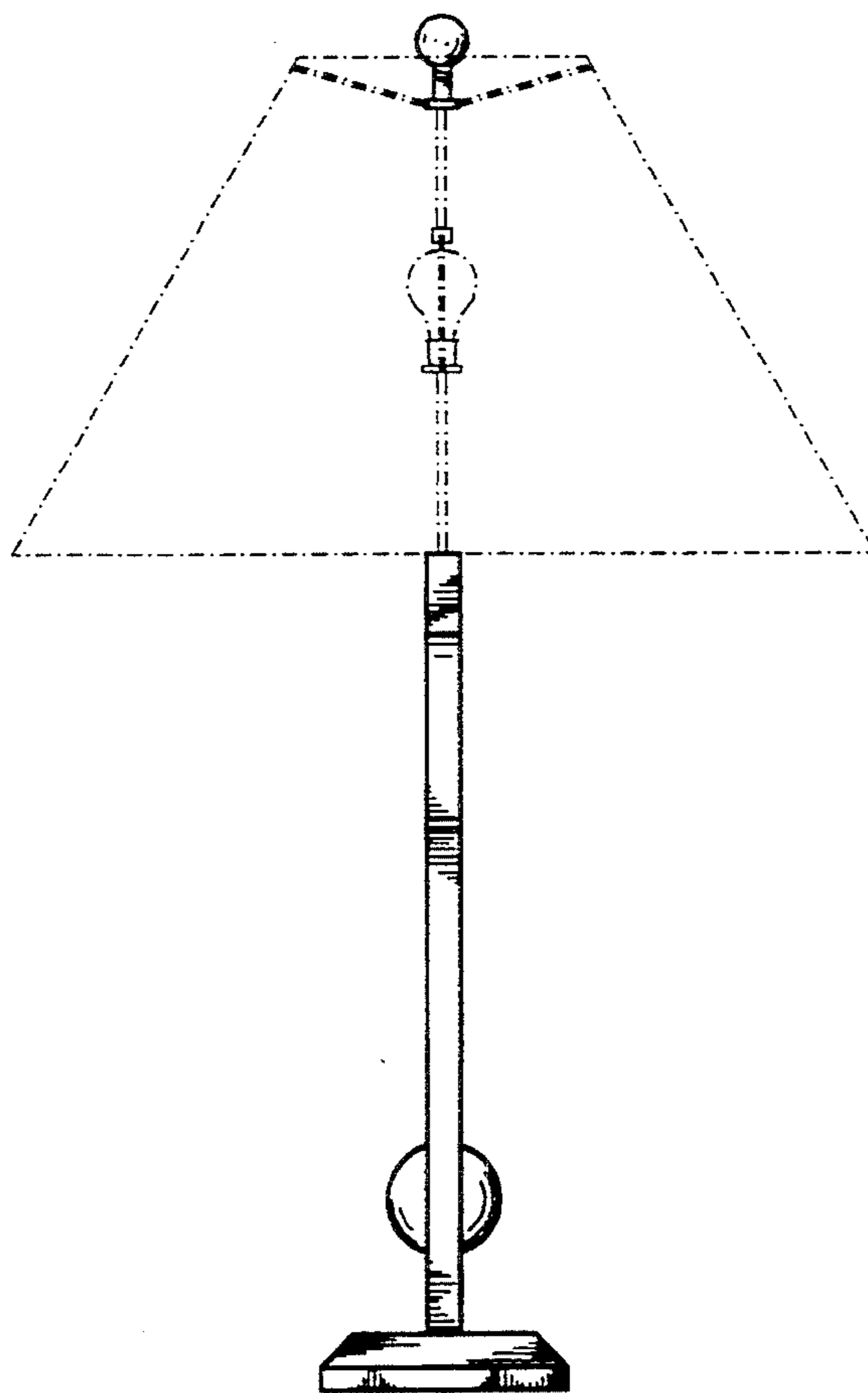


Fig.6

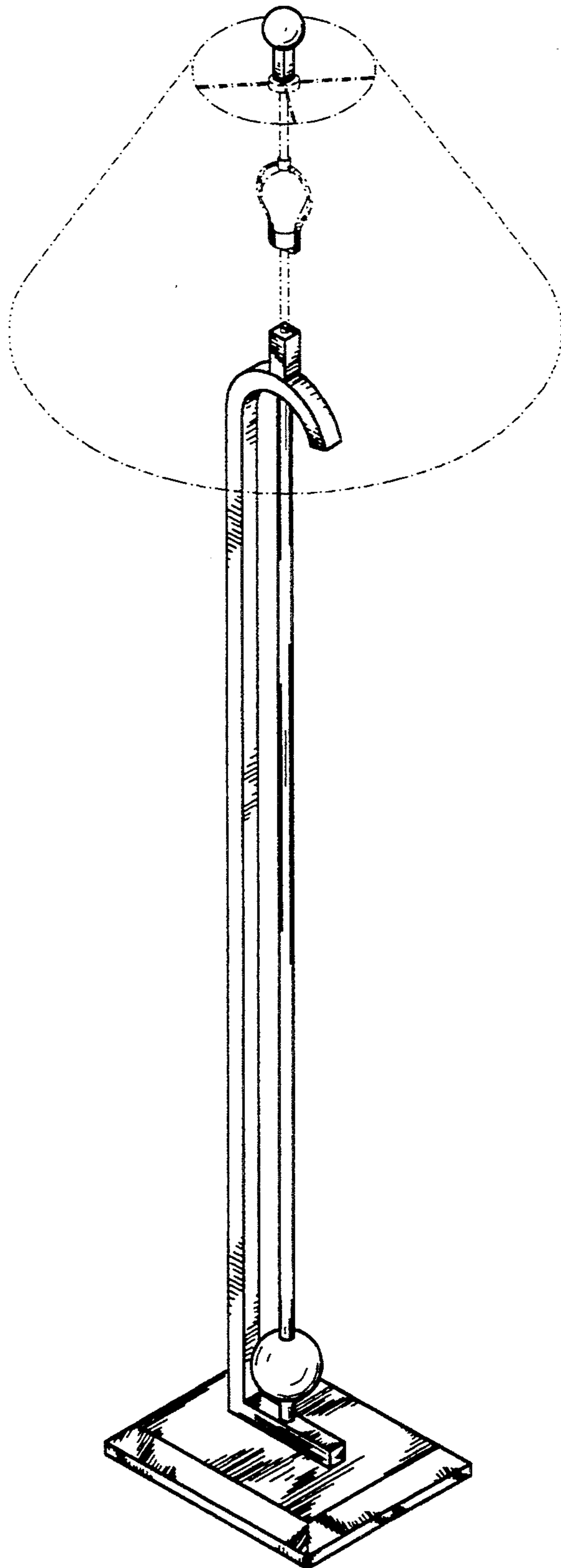


Fig.7

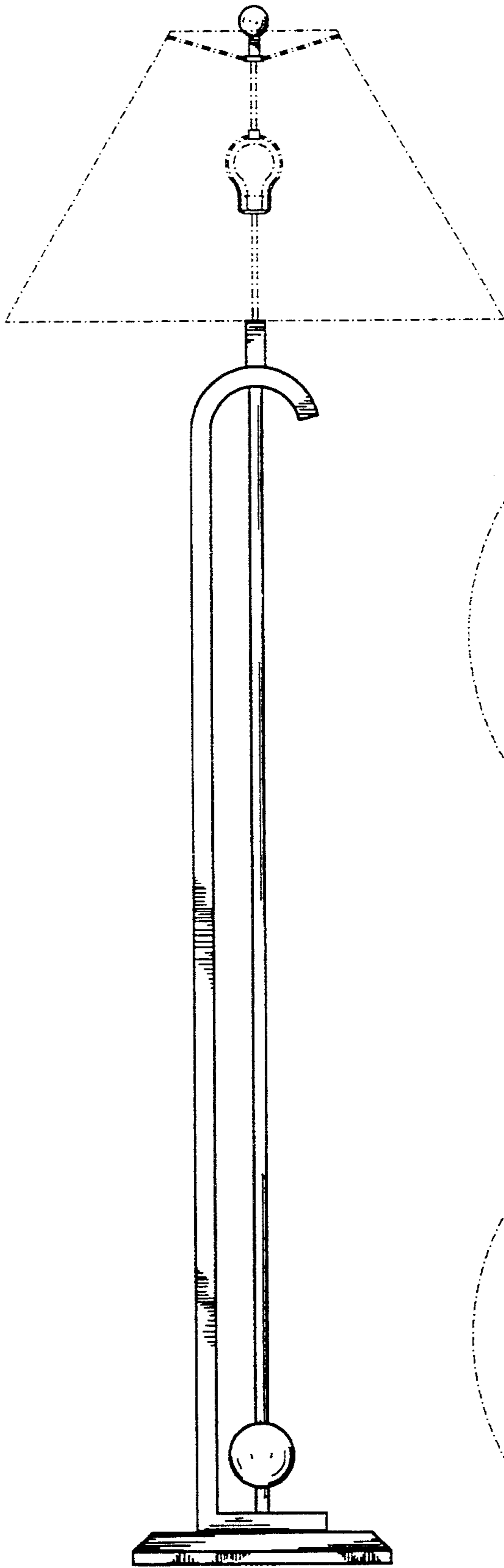


Fig.8

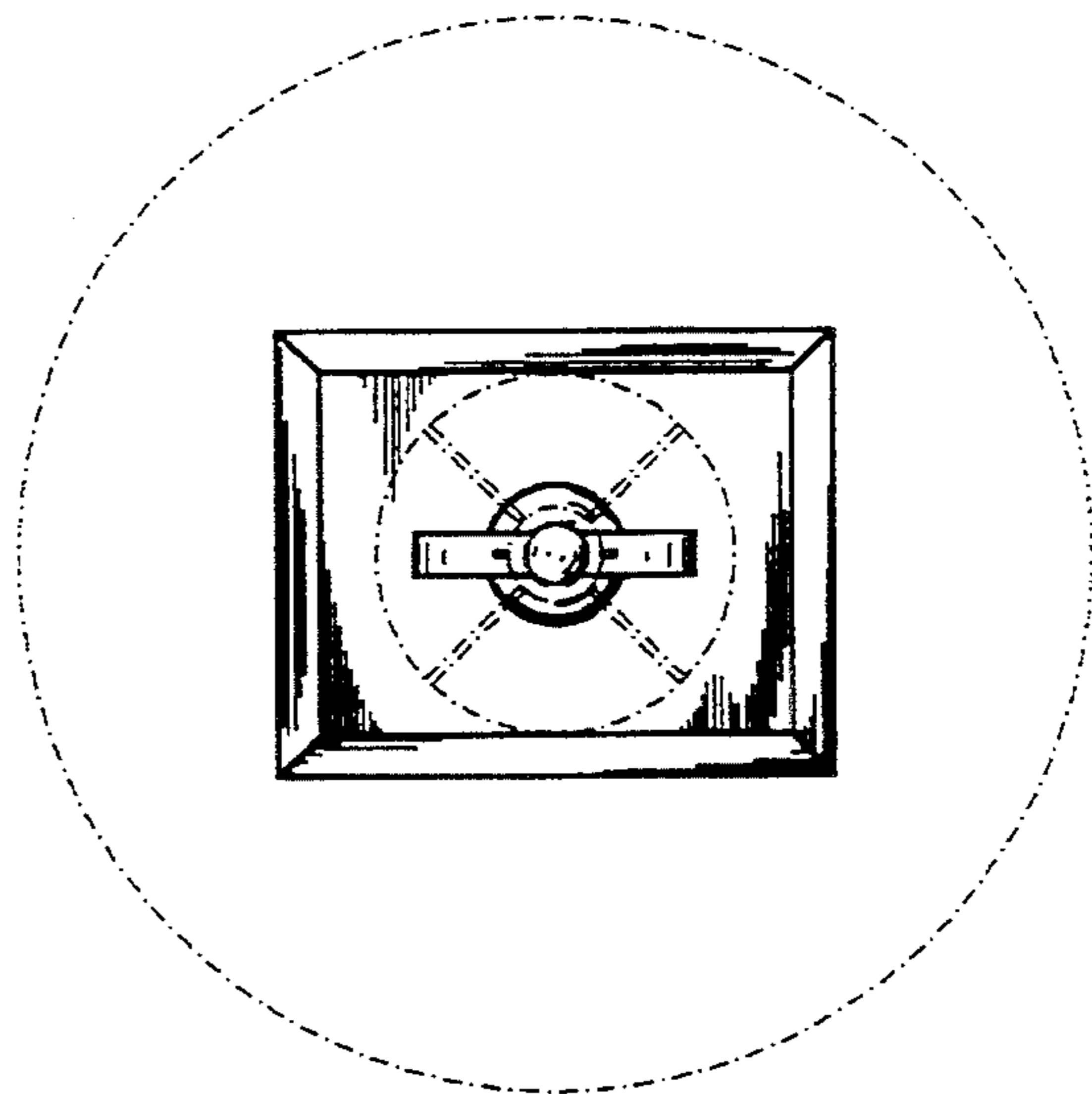


Fig.9

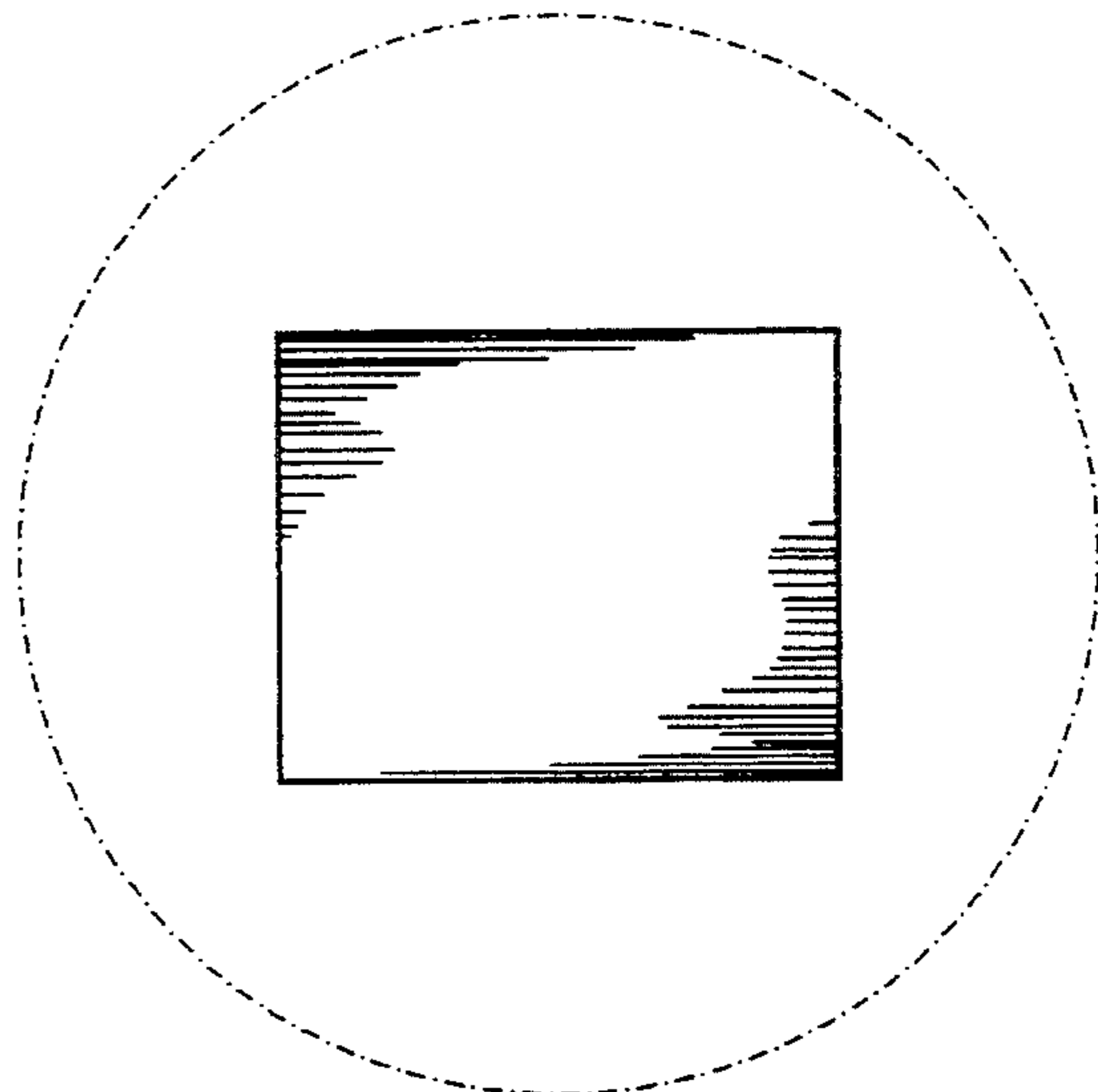


Fig.10

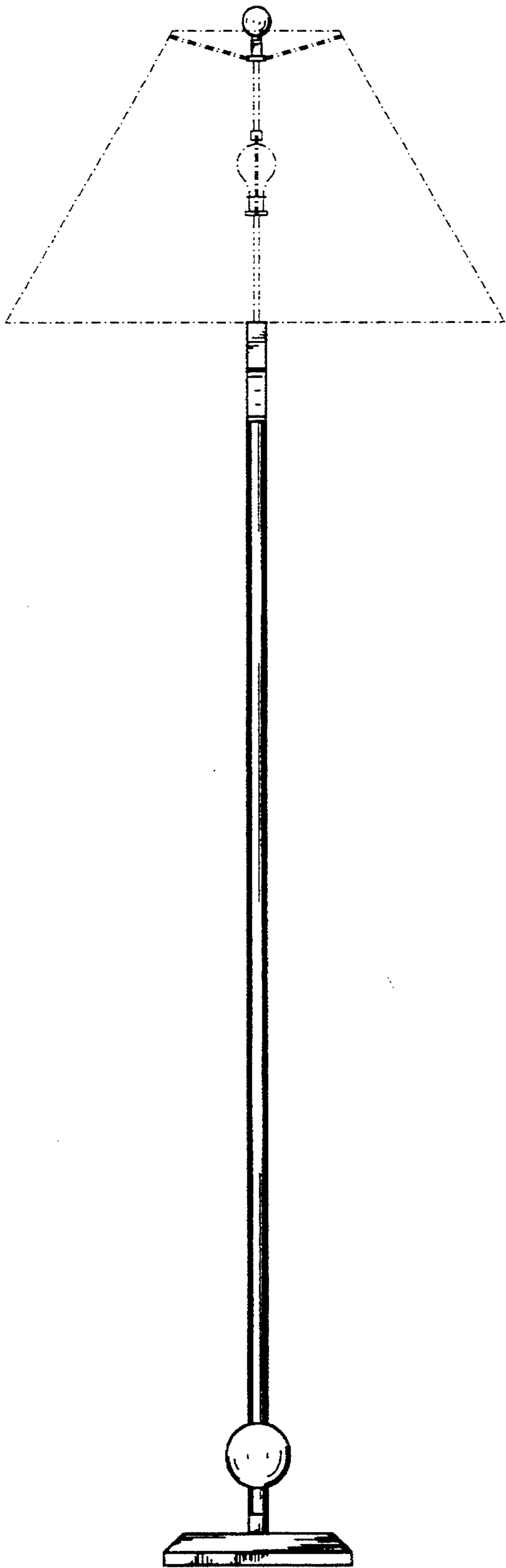


Fig.11

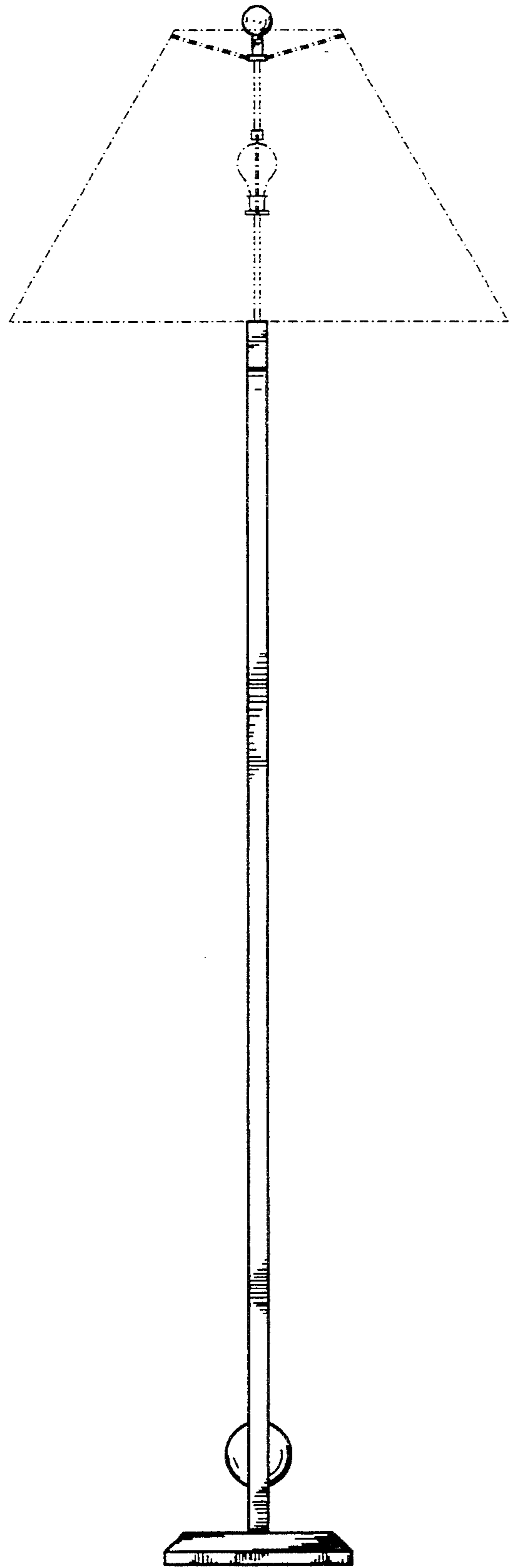


Fig.12

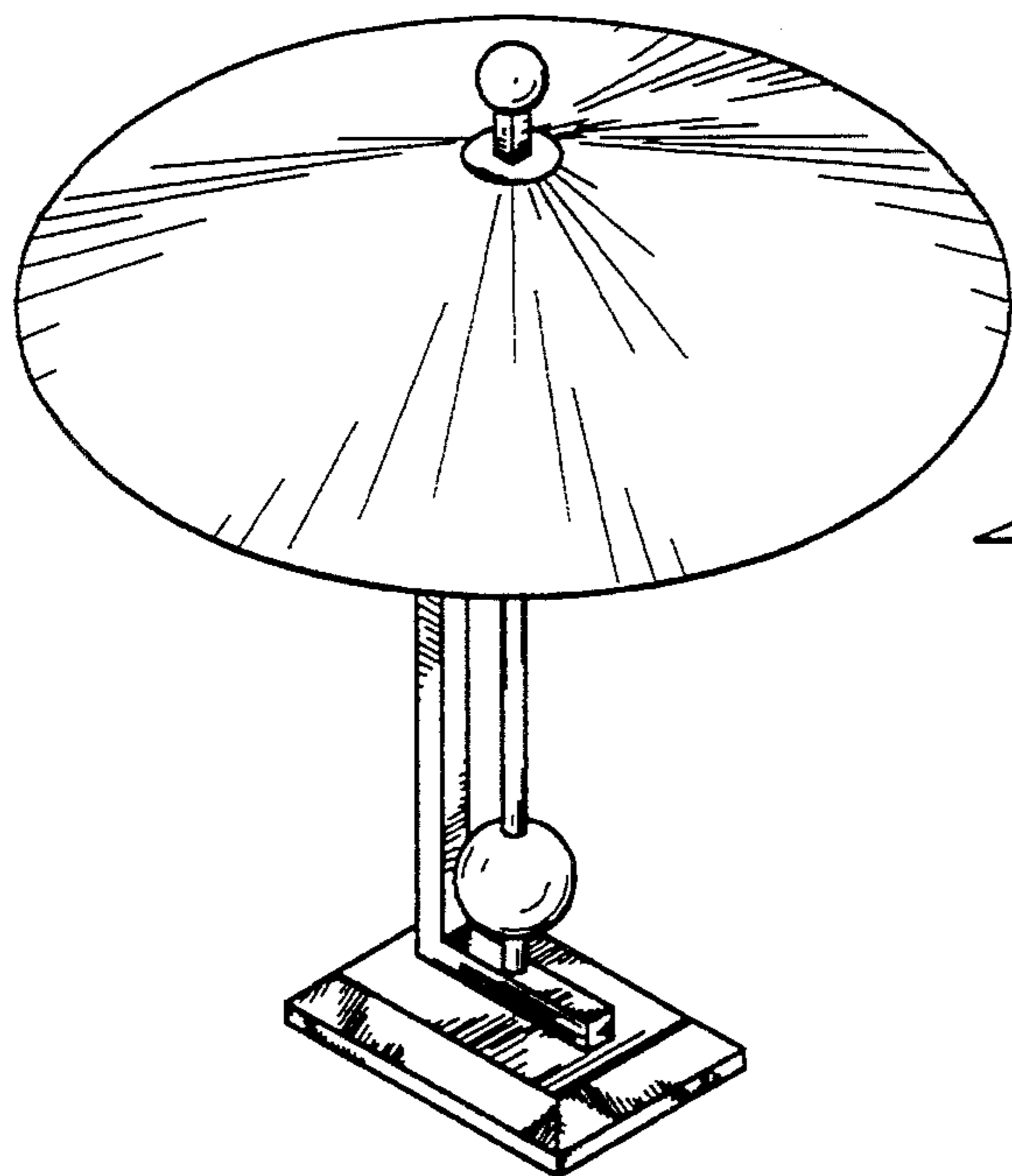


Fig.13

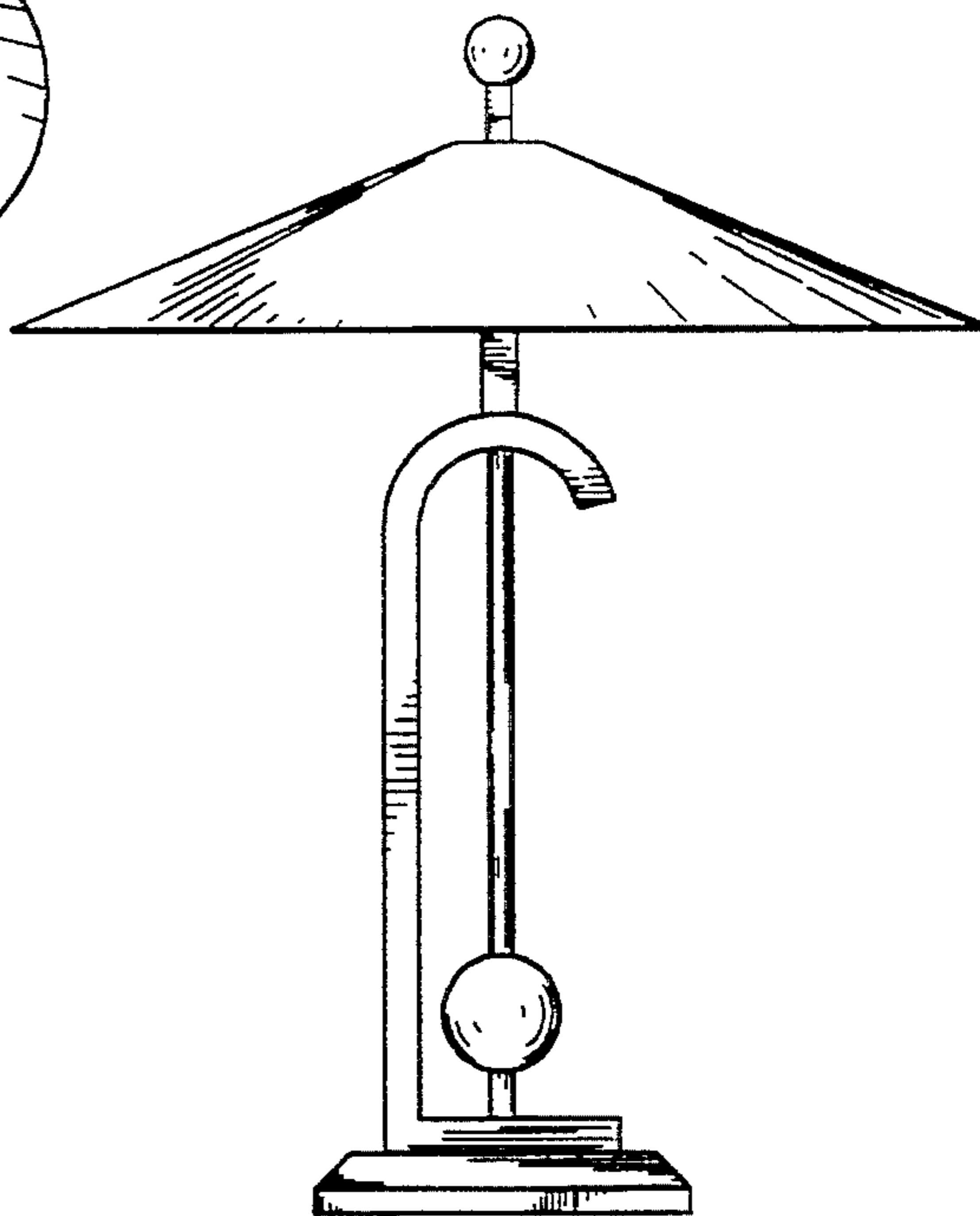


Fig.14

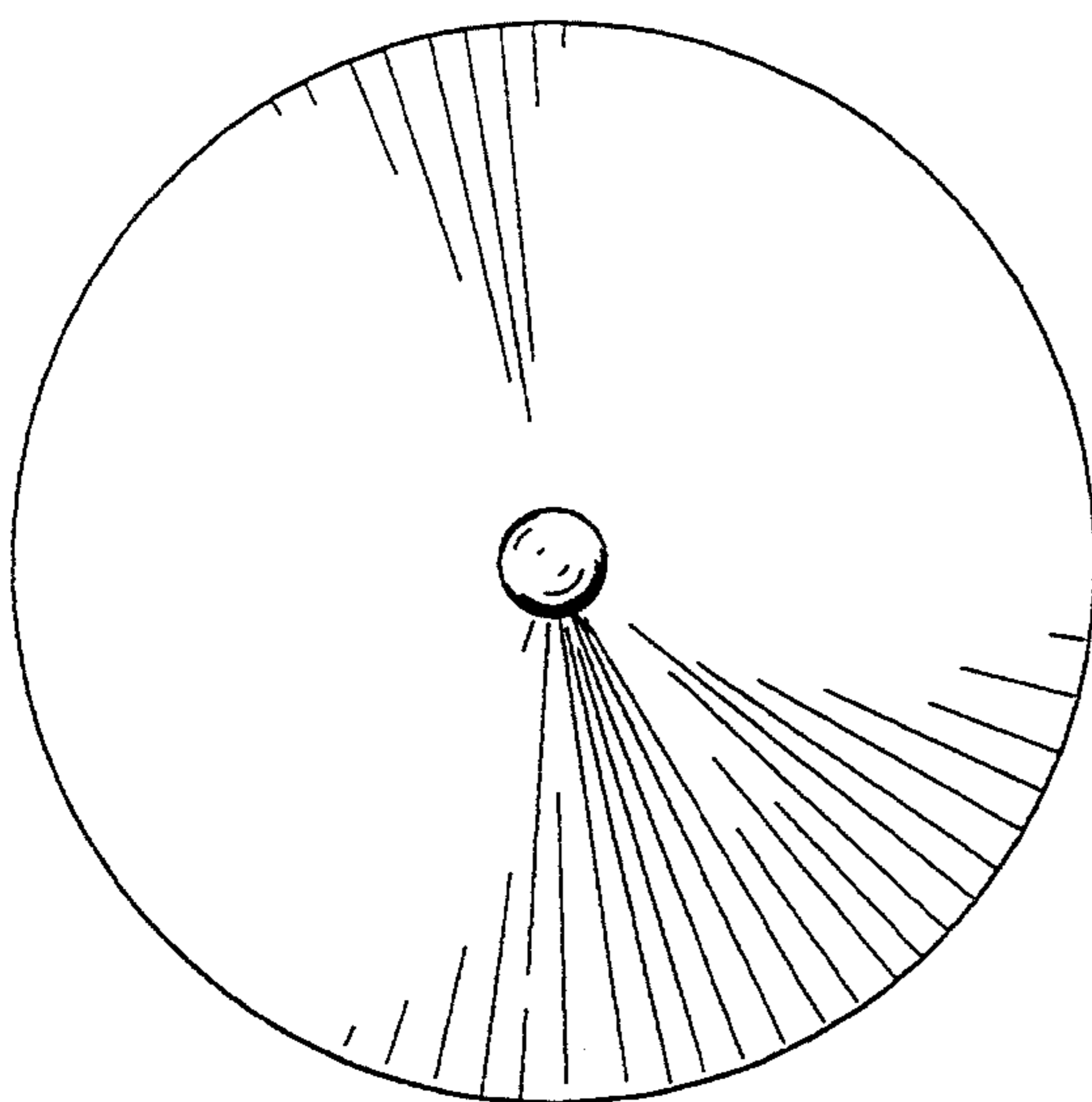


Fig.15

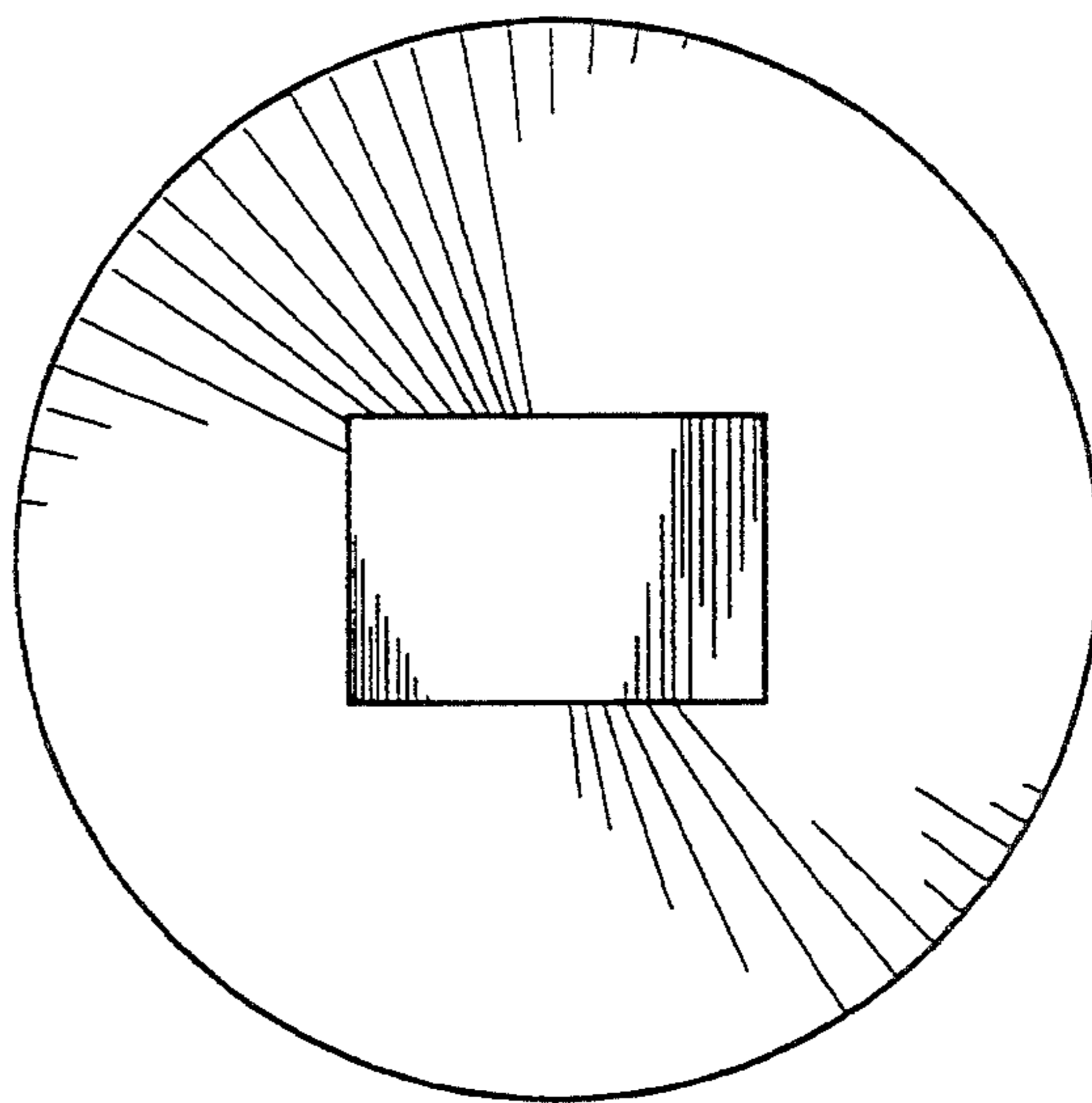


Fig.16

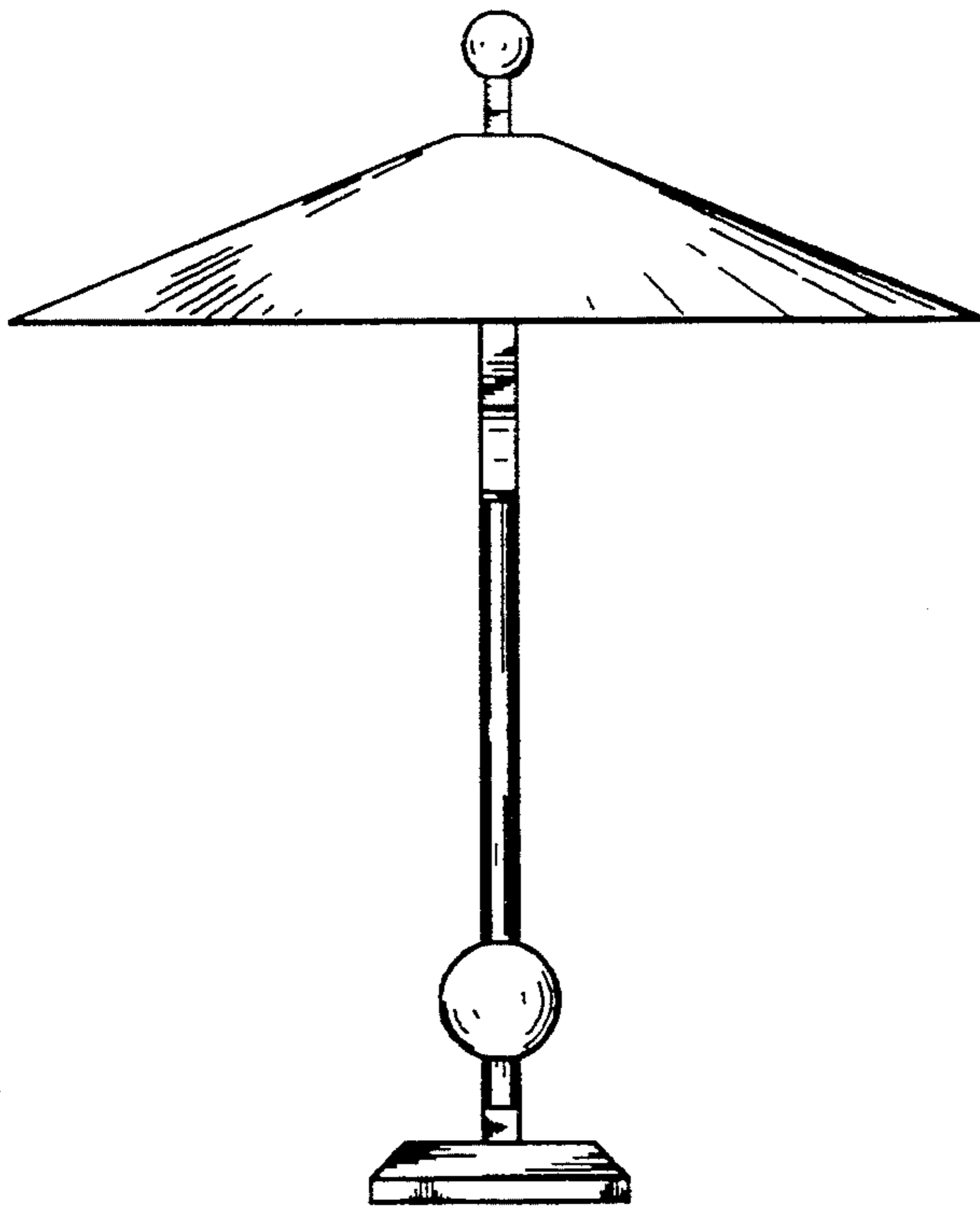


Fig.17

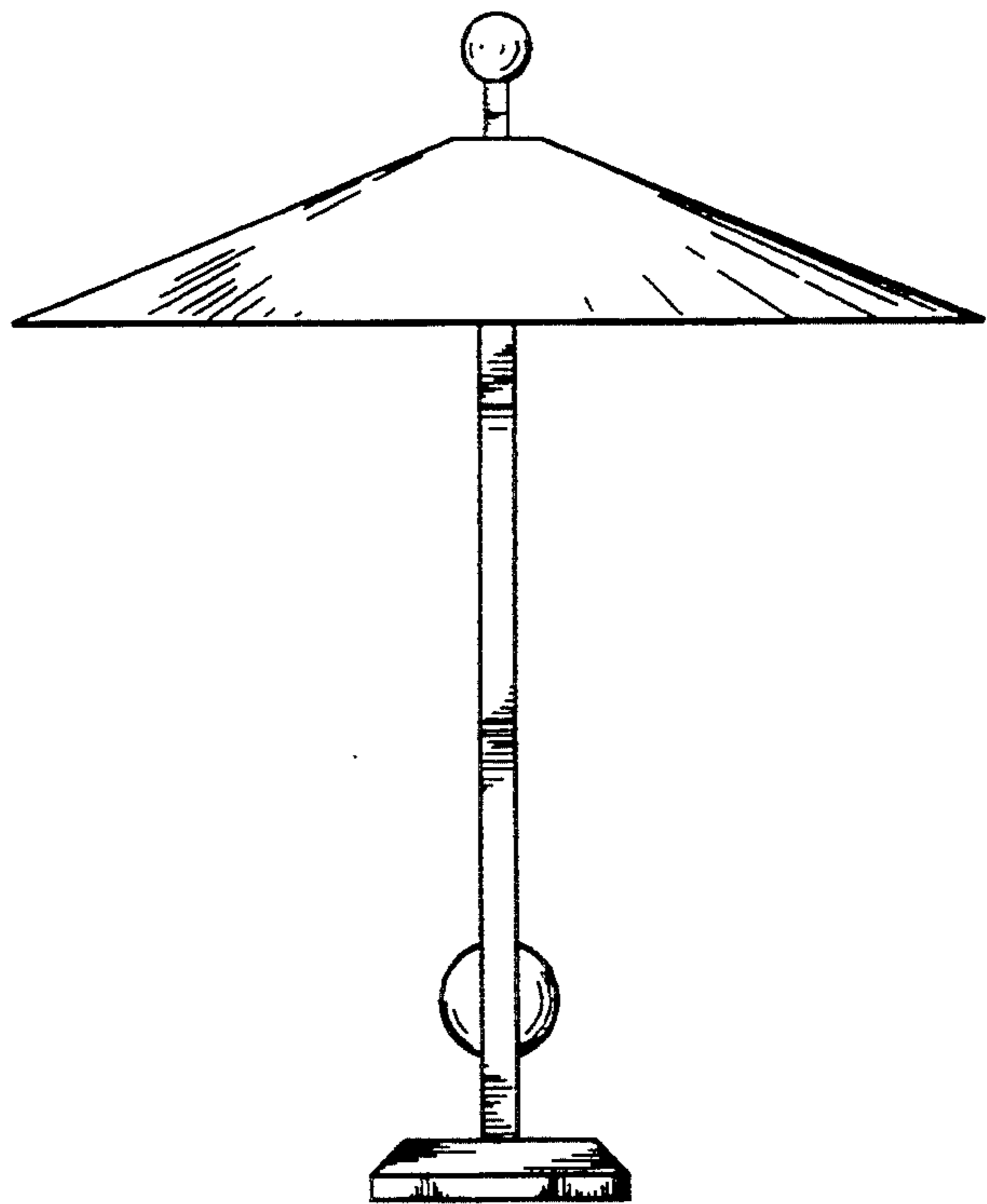


Fig.18

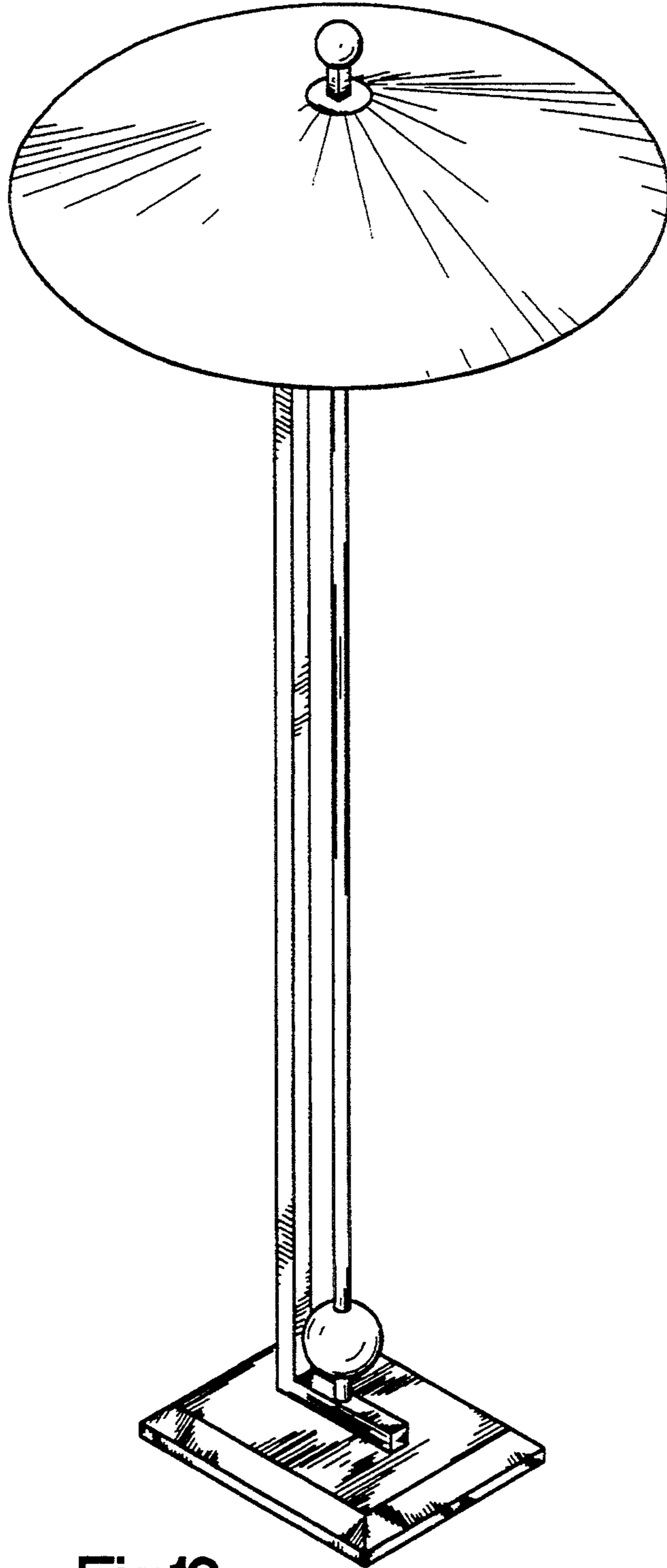


Fig.19

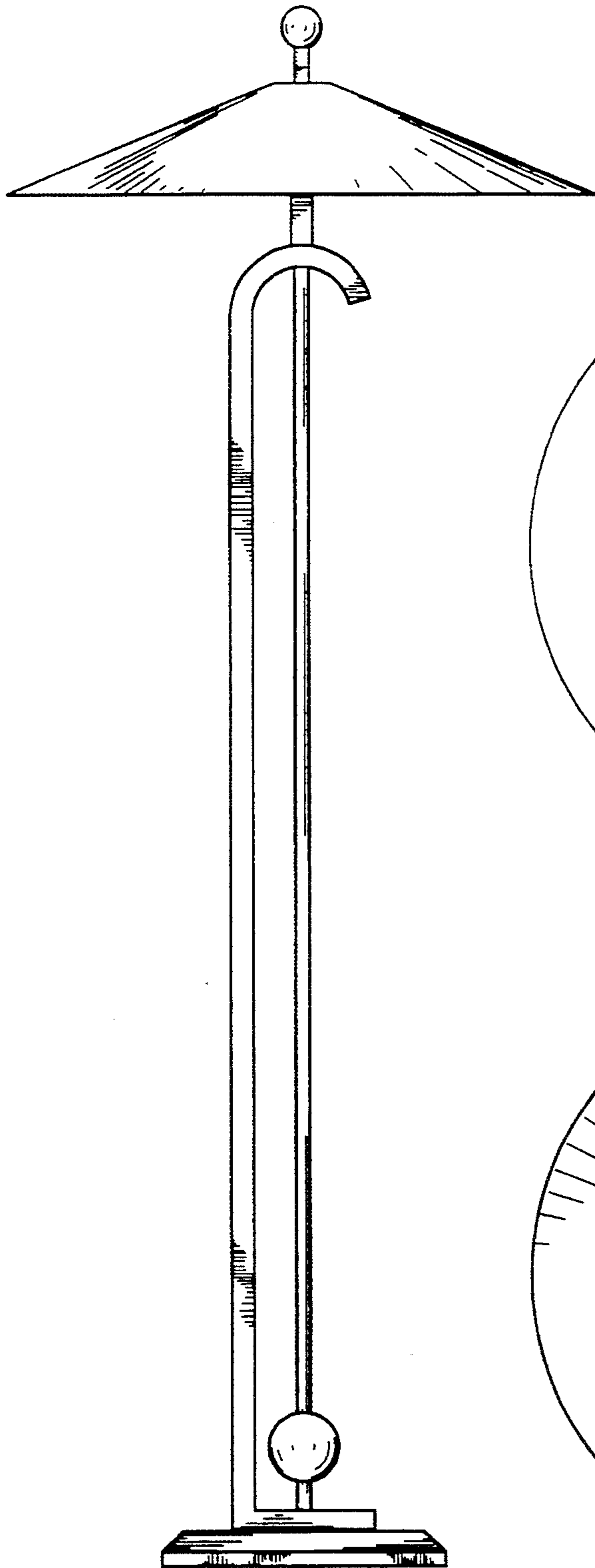


Fig.20

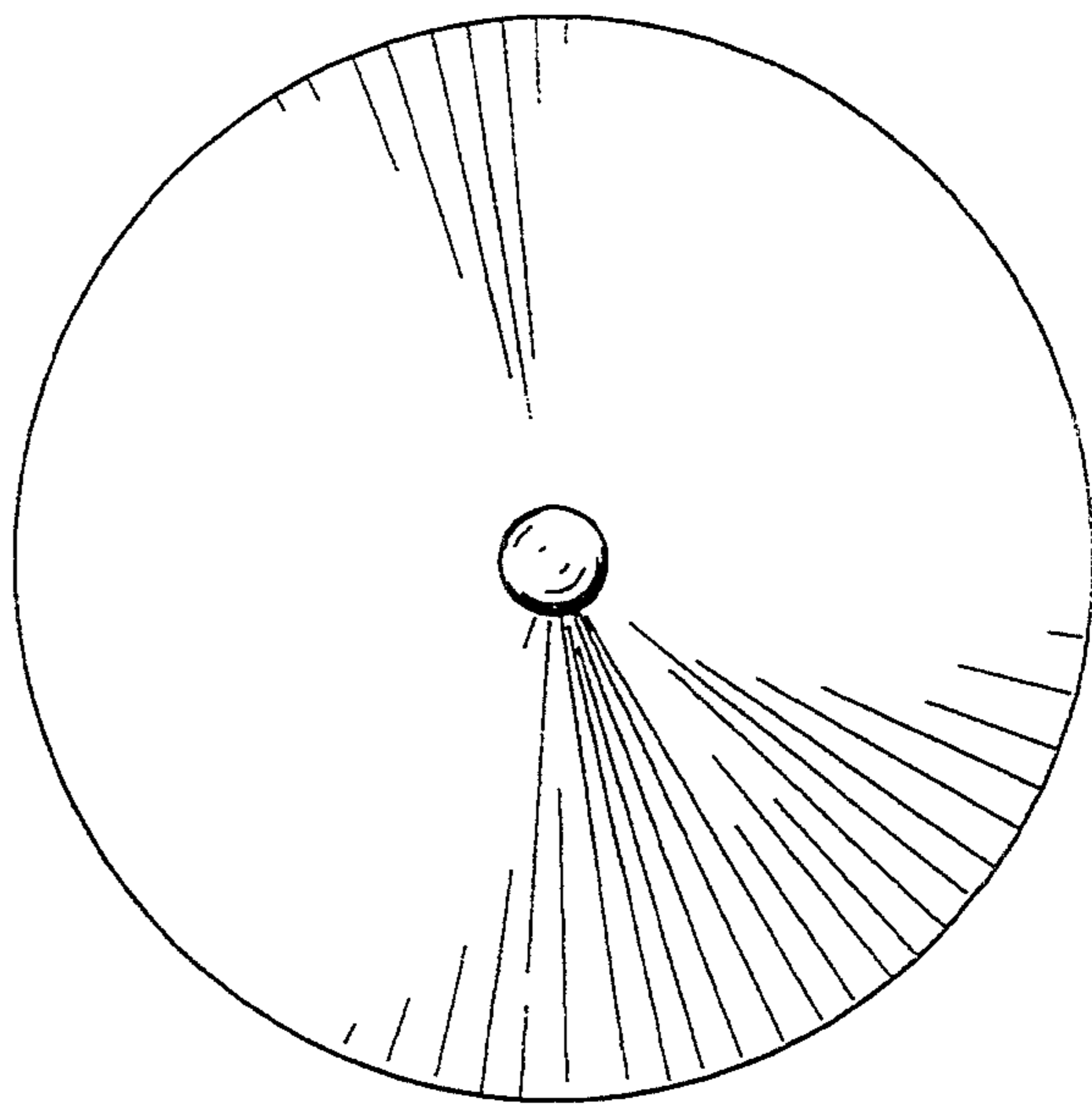


Fig.21

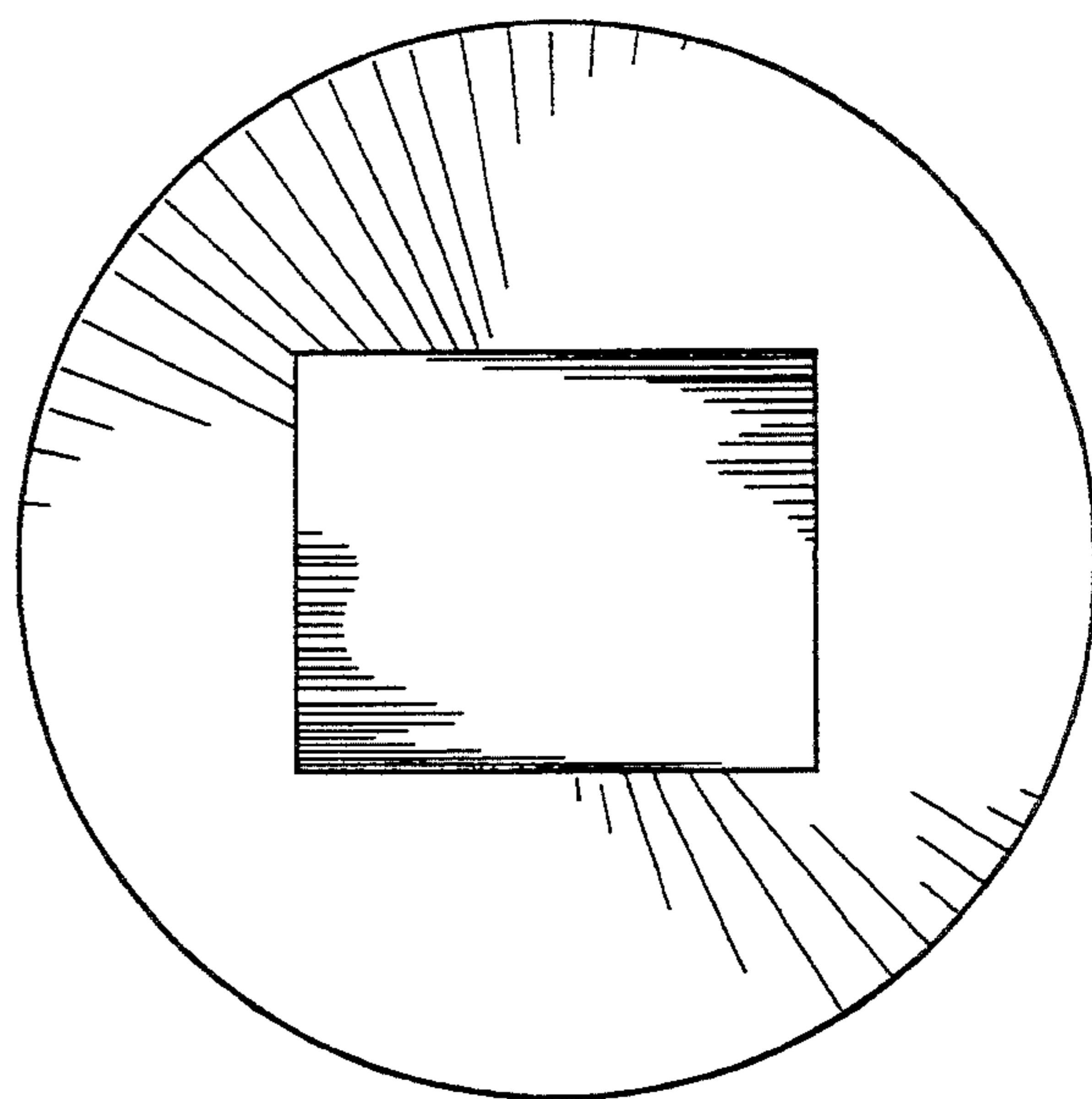


Fig.22

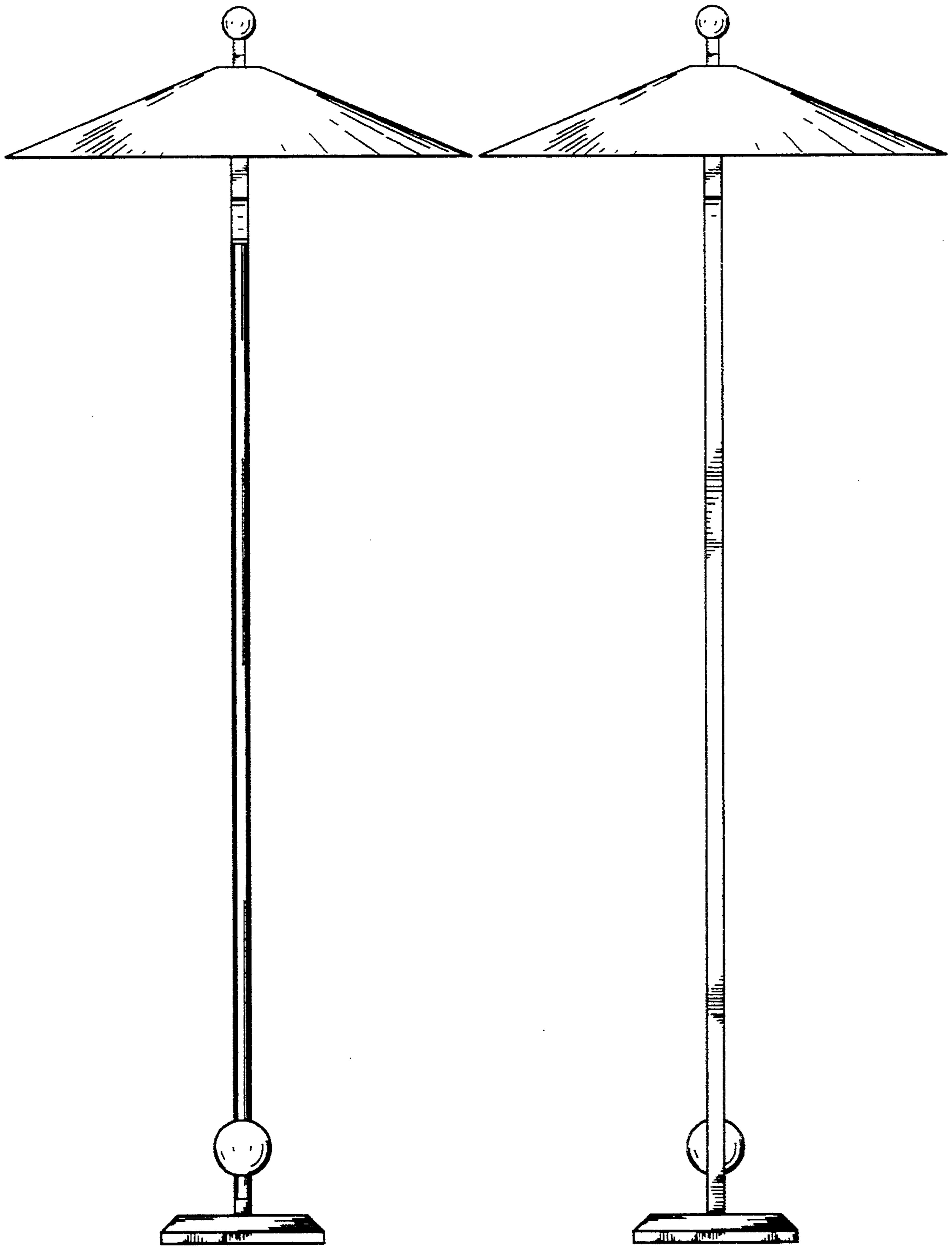


Fig.23

Fig.24

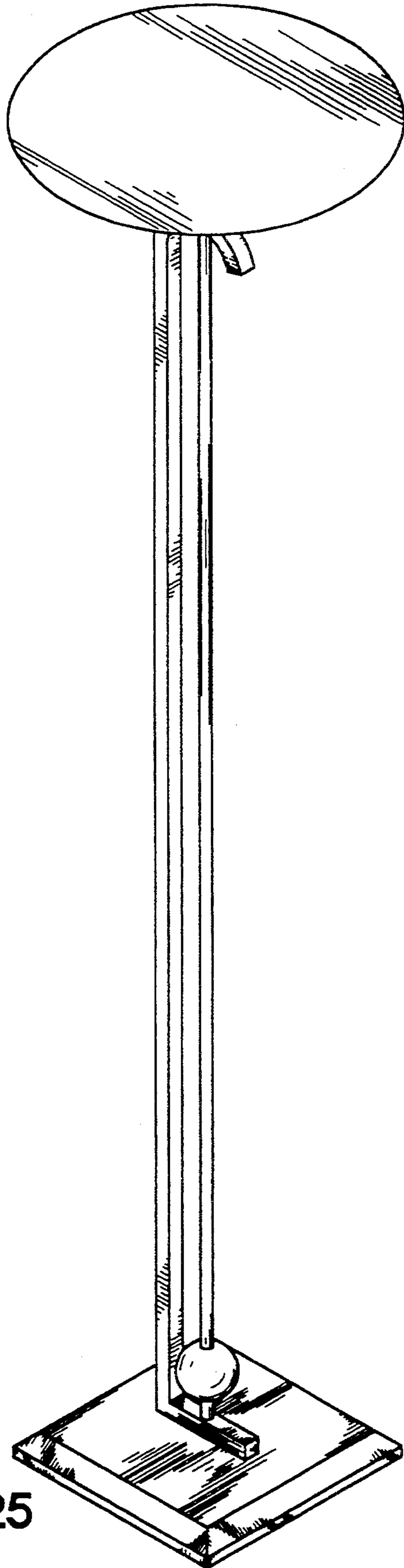


Fig.25

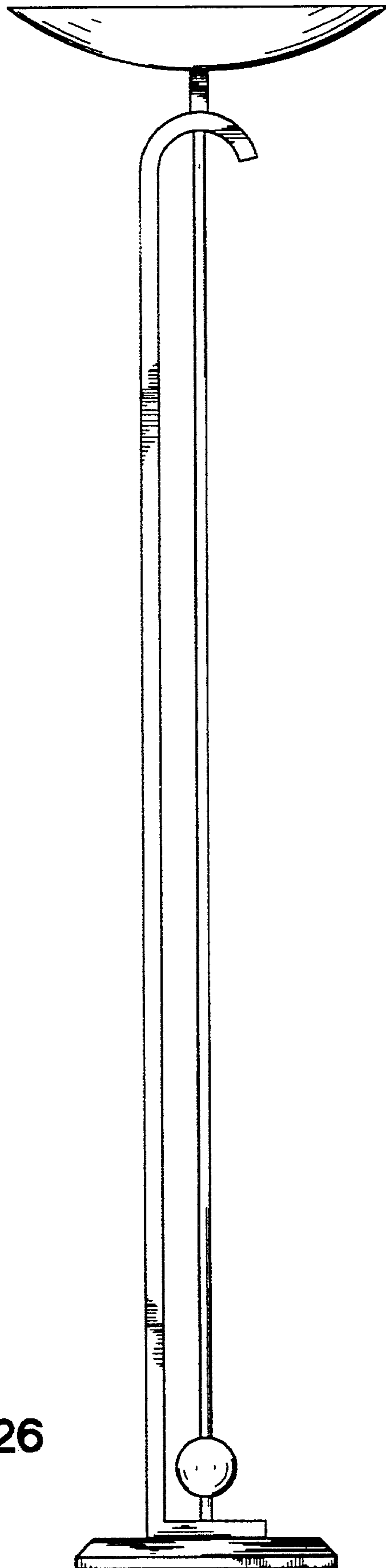


Fig.26

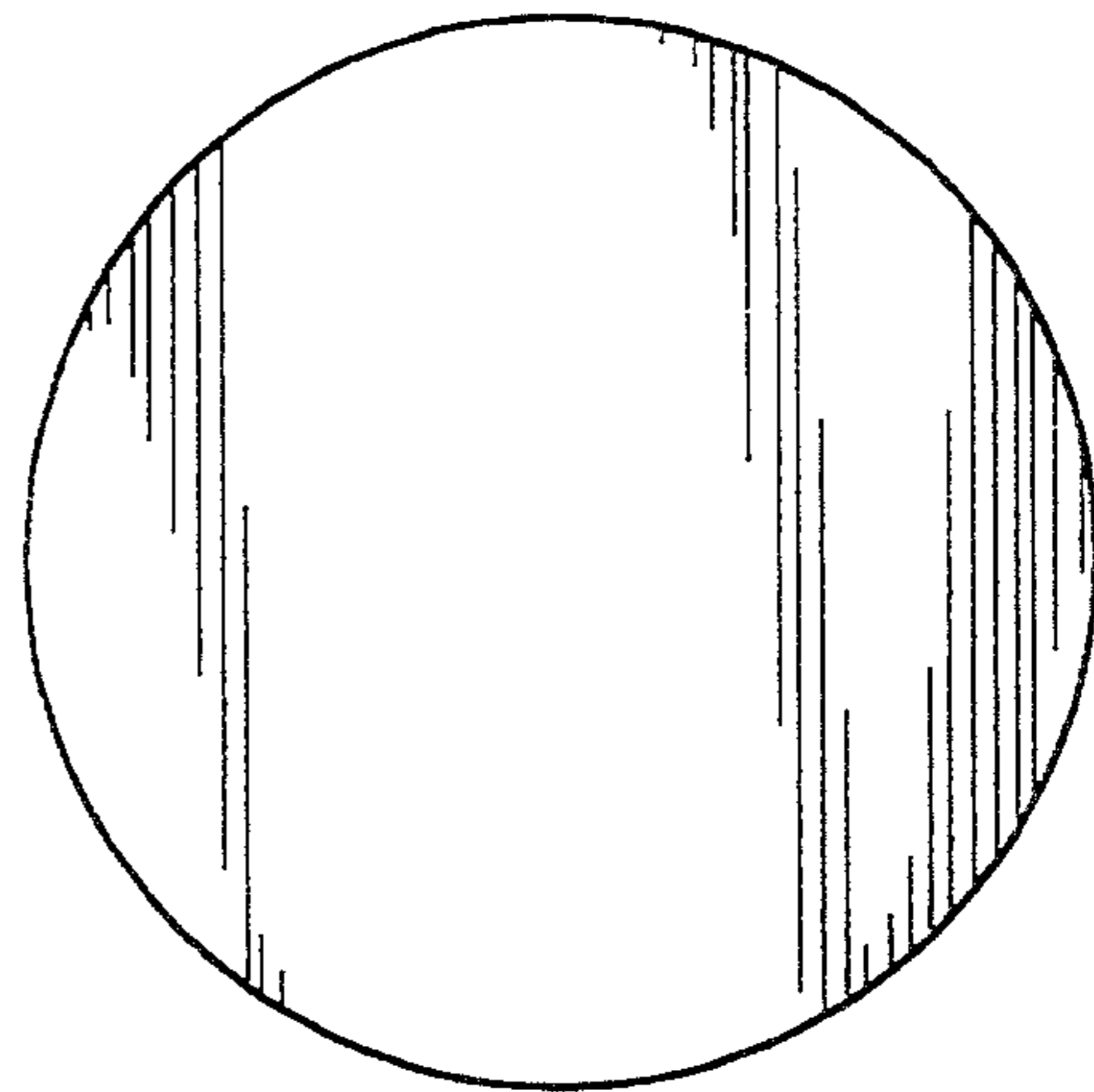


Fig.27

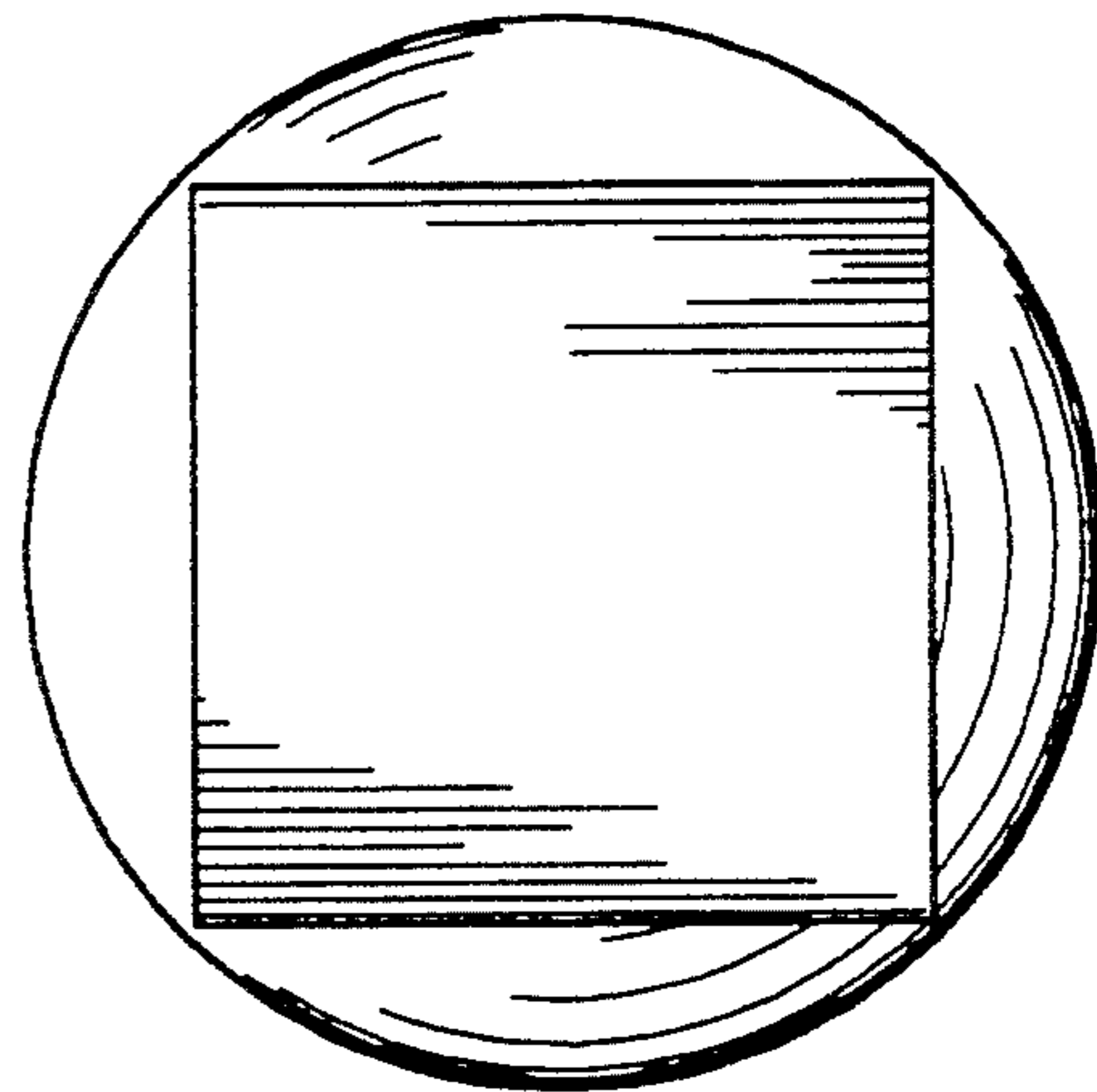


Fig.28

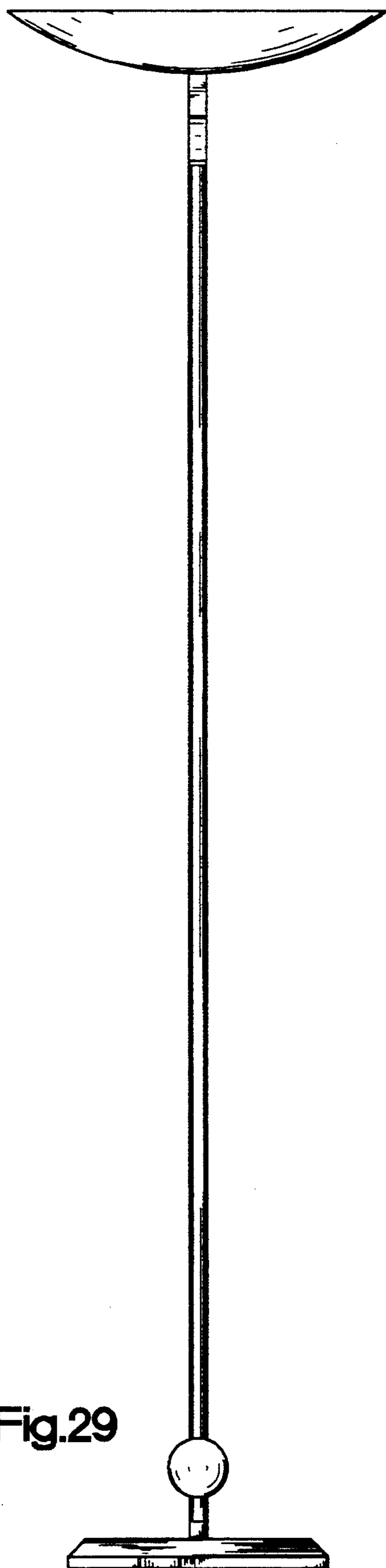


Fig.29

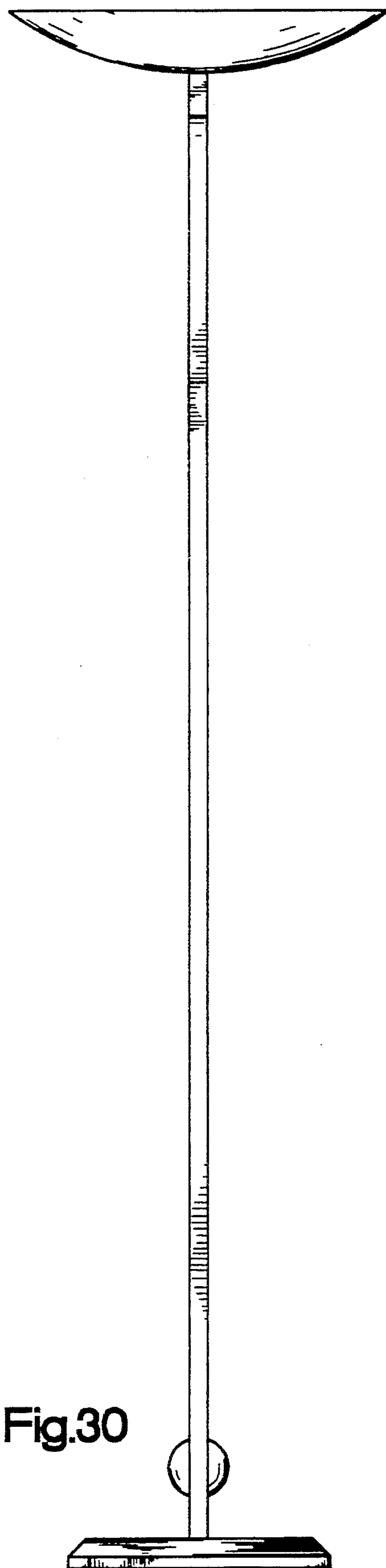


Fig.30