



US00D361400S

United States Patent [19]

[11] Patent Number: **Des. 361,400**

Compton

[45] Date of Patent: **** Aug. 15, 1995**

- [54] **PARKING GARAGE LUMINAIRE**
- [75] Inventor: **Wayne W. Compton**, Chino Hills, Calif.
- [73] Assignee: **Lighting, Inc.**, City of Industry, Calif.
- [**] Term: **14 Years**
- [21] Appl. No.: **15,365**
- [22] Filed: **Nov. 12, 1993**
- [52] U.S. Cl. **D26/85**
- [58] Field of Search **D26/72, 80-92; 362/147, 404-408, 432**

[56] **References Cited**

U.S. PATENT DOCUMENTS

- D. 113,501 2/1939 Alm et al. D26/86
- D. 271,241 11/1983 Vrignaud D26/85
- 2,133,378 10/1938 Cullman 362/404 X

OTHER PUBLICATIONS

Barrie Lighting Mariner Lighting, Wall Lamp, (Red 20) & Bronze 60 Downlight.

Primary Examiner—Susan J. Lucas
Attorney, Agent, or Firm—Lyon & Lyon

[57] **CLAIM**

The ornamental design for a parking garage luminaire, as shown and described.

DESCRIPTION

- FIG. 1 is a top plan view of a parking garage luminaire showing my new design;
- FIG. 2 is a side elevational view thereof as seen from the right of FIG. 1;
- FIG. 3 is an opposite side elevational view thereof;
- FIG. 4 is a bottom plan view thereof;
- FIG. 5 is a top plan view of a second embodiment of my new design;
- FIG. 6 is a side elevational view thereof, the opposite side being identical;
- FIG. 7 is a bottom plan view thereof;
- FIG. 8 is a top plan view of a third embodiment of my new design;
- FIG. 9 is a front elevational view thereof;
- FIG. 10 is a rear elevational view thereof;

- FIG. 11 is a bottom plan view thereof;
- FIG. 12 is a top plan view of a fourth embodiment of my new design;
- FIG. 13 is a front elevational view thereof;
- FIG. 14 is a rear elevational view thereof;
- FIG. 15 is a bottom plan view thereof;
- FIG. 16 is a top plan view of a fifth embodiment of my new design;
- FIG. 17 is a front elevational view thereof, the rear and sides being identical;
- FIG. 18 is a bottom plan view thereof;
- FIG. 19 is a top plan view of a fourth embodiment of my new design;
- FIG. 20 is a side elevational view thereof, all sides being identical;
- FIG. 21 is a bottom plan view thereof;
- FIG. 22 is a top plan view of a fifth embodiment of my new design;
- FIG. 23 is a side elevational view thereof;
- FIG. 24 is an opposite side elevational view thereof;
- FIG. 25 is a bottom plan view thereof;
- FIG. 26 is a top plan view of a sixth embodiment of my new design;
- FIG. 27 is a side elevational view thereof, the opposite side being identical;
- FIG. 28 is a bottom plan view thereof;
- FIG. 29 is a top plan view of a seventh embodiment of my new design;
- FIG. 30 is a front elevational view thereof;
- FIG. 31 is a rear elevational view thereof;
- FIG. 32 is a bottom plan view thereof;
- FIG. 33 is a top plan view of an eighth embodiment of my design;
- FIG. 34 is a side elevational view thereof;
- FIG. 35 is an opposite side elevational view thereof;
- FIG. 36 is a bottom plan view thereof;
- FIG. 37 is a top plan view of a ninth embodiment of my new design;
- FIG. 38 is a side elevational view thereof, all sides being identical;
- FIG. 39 is a bottom plan view thereof;
- FIG. 40 is a top plan view of a tenth embodiment of my new design;
- FIG. 41 is a side elevational view thereof, the opposite side being identical;
- FIG. 42 is a bottom plan view thereof;

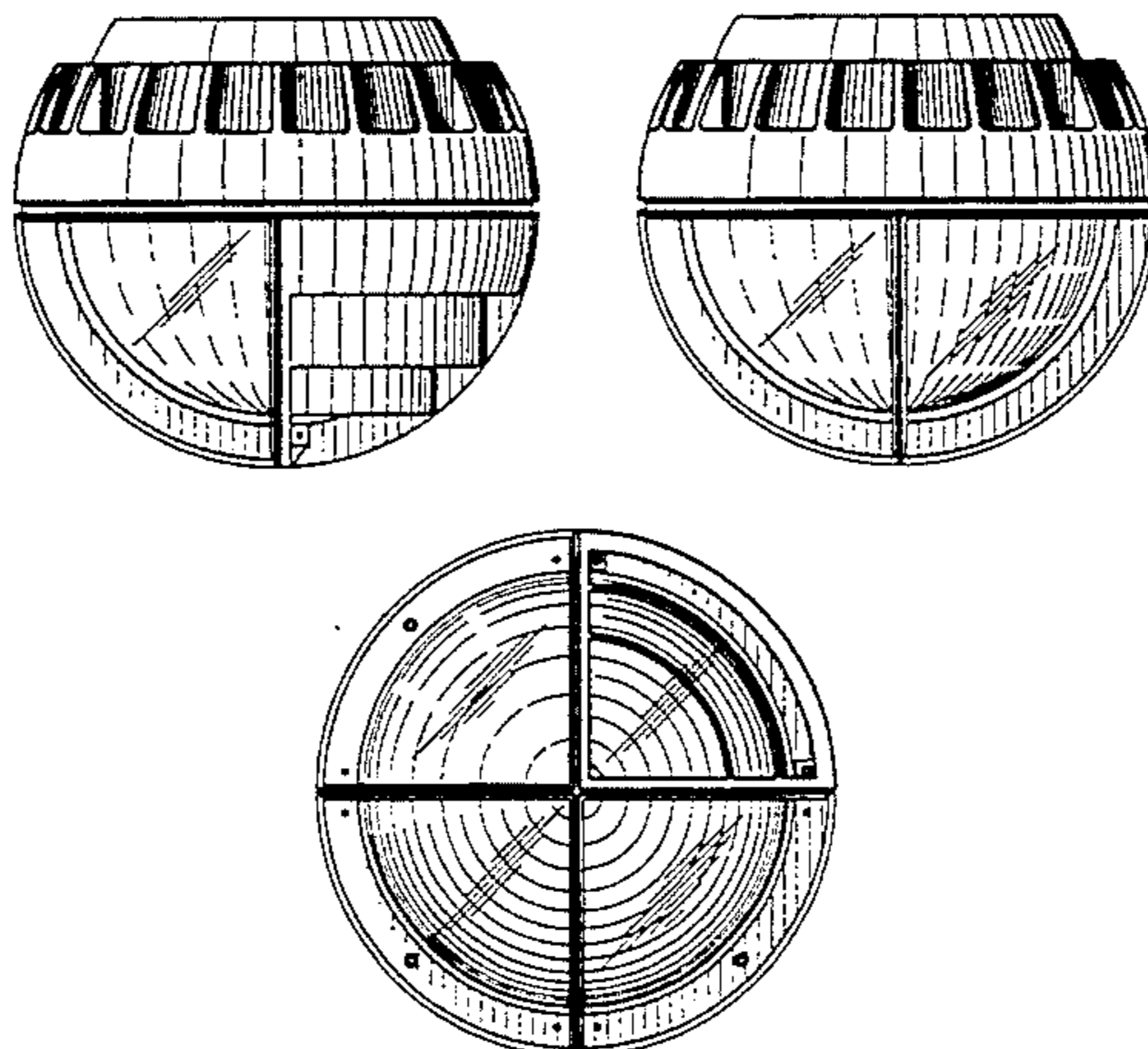


FIG. 43 is a top plan view of an eleventh embodiment of my new design;
FIG. 44 is a side elevational view thereof;
FIG. 45 is an opposite side elevational view thereof;
FIG. 46 is a bottom plan view thereof;
FIG. 47 is a top plan view of a twelfth embodiment of my new design;
FIG. 48 is a side elevational view thereof, the opposite side being identical;
FIG. 49 is a bottom plan view thereof;
FIG. 50 is a top plan view of a thirteenth embodiment of my new design;
FIG. 51 is a front elevational view thereof;
FIG. 52 is a rear elevational view thereof;
FIG. 53 is a bottom plan view thereof;
FIG. 54 is a top plan view of a fourteenth embodiment of my new design;
FIG. 55 is a side elevational view thereof;
FIG. 56 is an opposite side elevational view thereof;
FIG. 57 is a bottom plan view thereof;
FIG. 58 is a top plan view of a fifteenth embodiment of my new design;
FIG. 59 is a side elevational view thereof, all sides being identical;
FIG. 60 is a bottom plan view thereof;
FIG. 61 is a top plan view of a sixteenth embodiment of my new design;
FIG. 62 is a side elevational view thereof, all sides being identical;
FIG. 63 is a bottom plan view thereof;

FIG. 64 is a top plan view of an seventeenth embodiment of my new design;
FIG. 65 is a side elevational view thereof;
FIG. 66 is an opposite side elevational view thereof;
FIG. 67 is a bottom plan view thereof;
FIG. 68 is a top plan view of an eighteenth embodiment of my new design;
FIG. 69 is a side elevational view thereof, the opposite side being identical;
FIG. 70 is a bottom plan view thereof;
FIG. 71 is a top plan view of a nineteenth embodiment of my new design;
FIG. 72 is a front elevational view thereof;
FIG. 73 is a rear elevational view thereof;
FIG. 74 is a bottom plan view thereof;
FIG. 75 is a top plan view of a twentieth embodiment of my new design;
FIG. 76 is a side elevational view thereof;
FIG. 77 is an opposite side elevational view thereof;
FIG. 78 is a bottom plan view thereof;
FIG. 79 is a top plan view of a twenty-first embodiment of my new design;
FIG. 80 is a side elevational view thereof, all sides being identical;
FIG. 81 is a bottom plan view thereof;
FIG. 82 is a top plan view of a twenty-first embodiment of my new design;
FIG. 83 is a side elevational view thereof, all sides being identical; and,
FIG. 84 is a bottom plan view thereof.

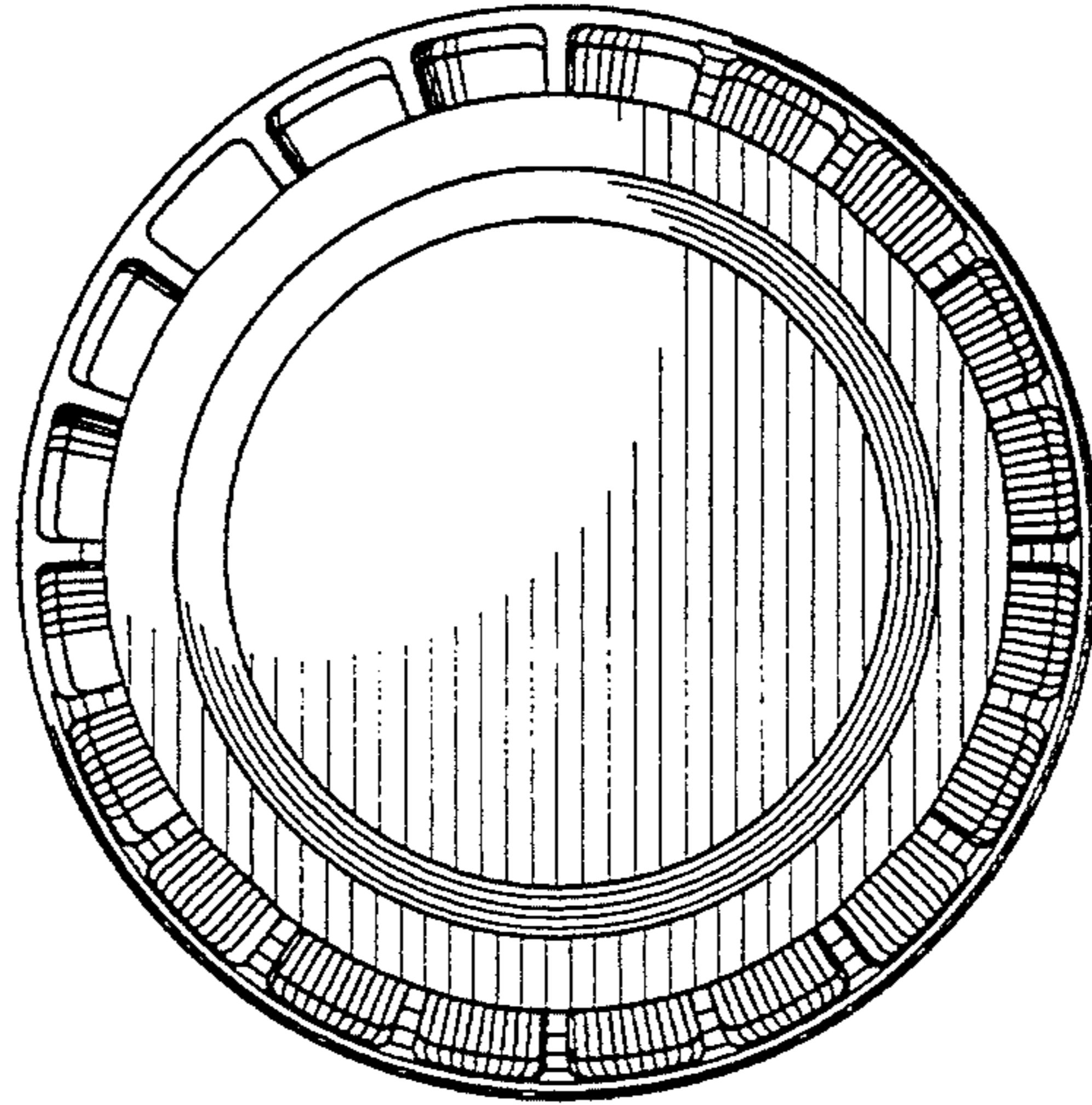


FIG. 1

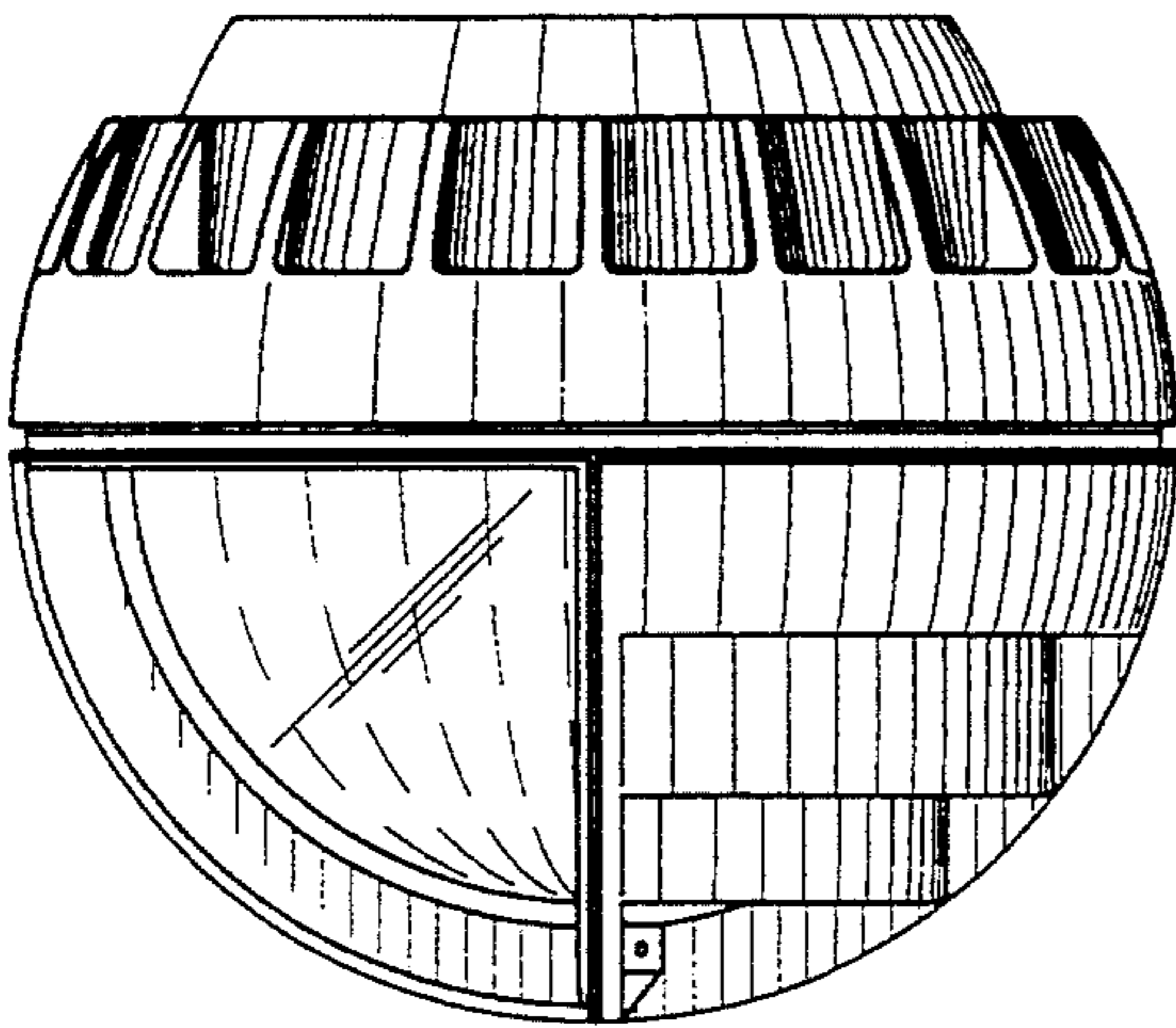


FIG. 2

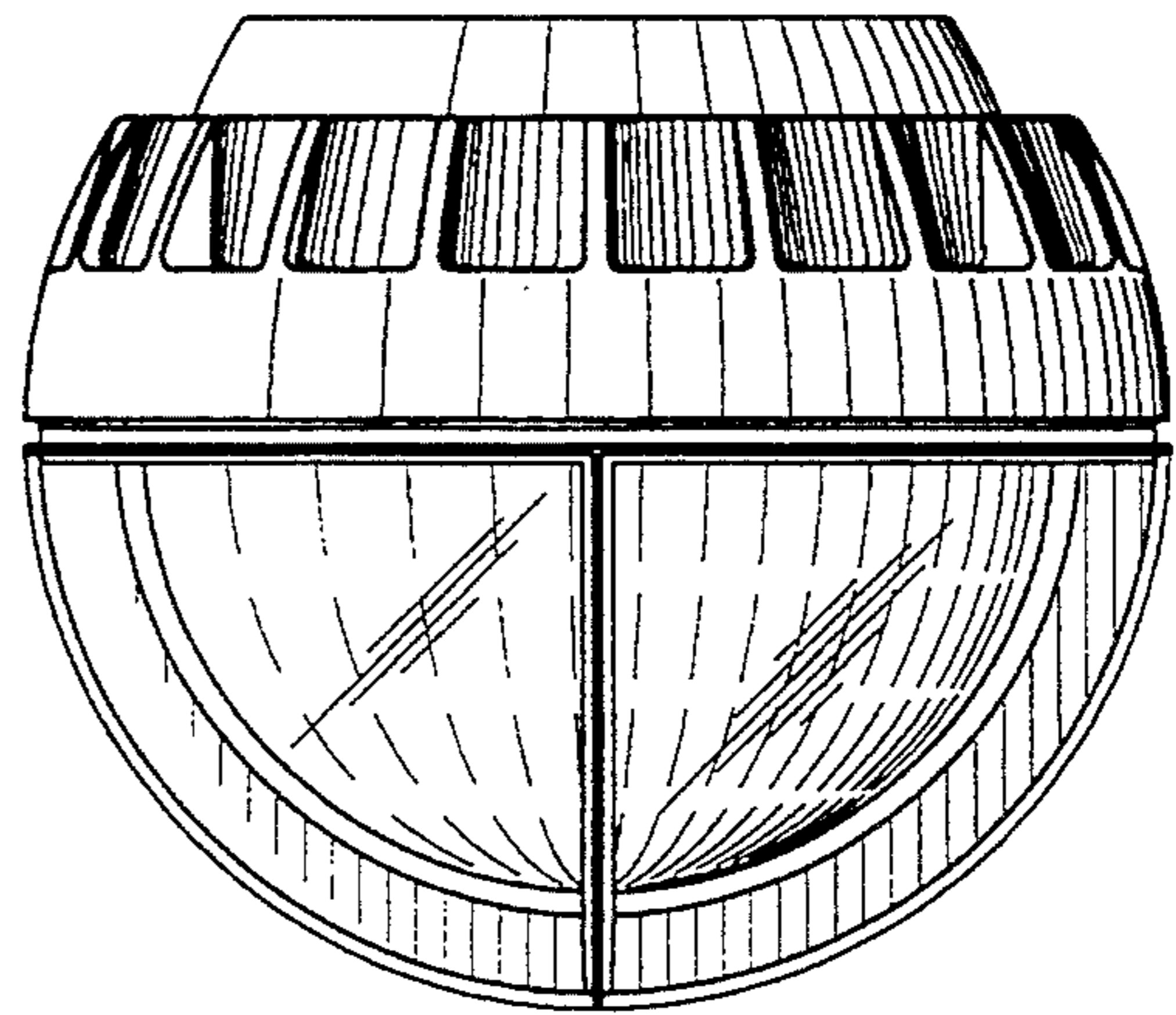


FIG. 3

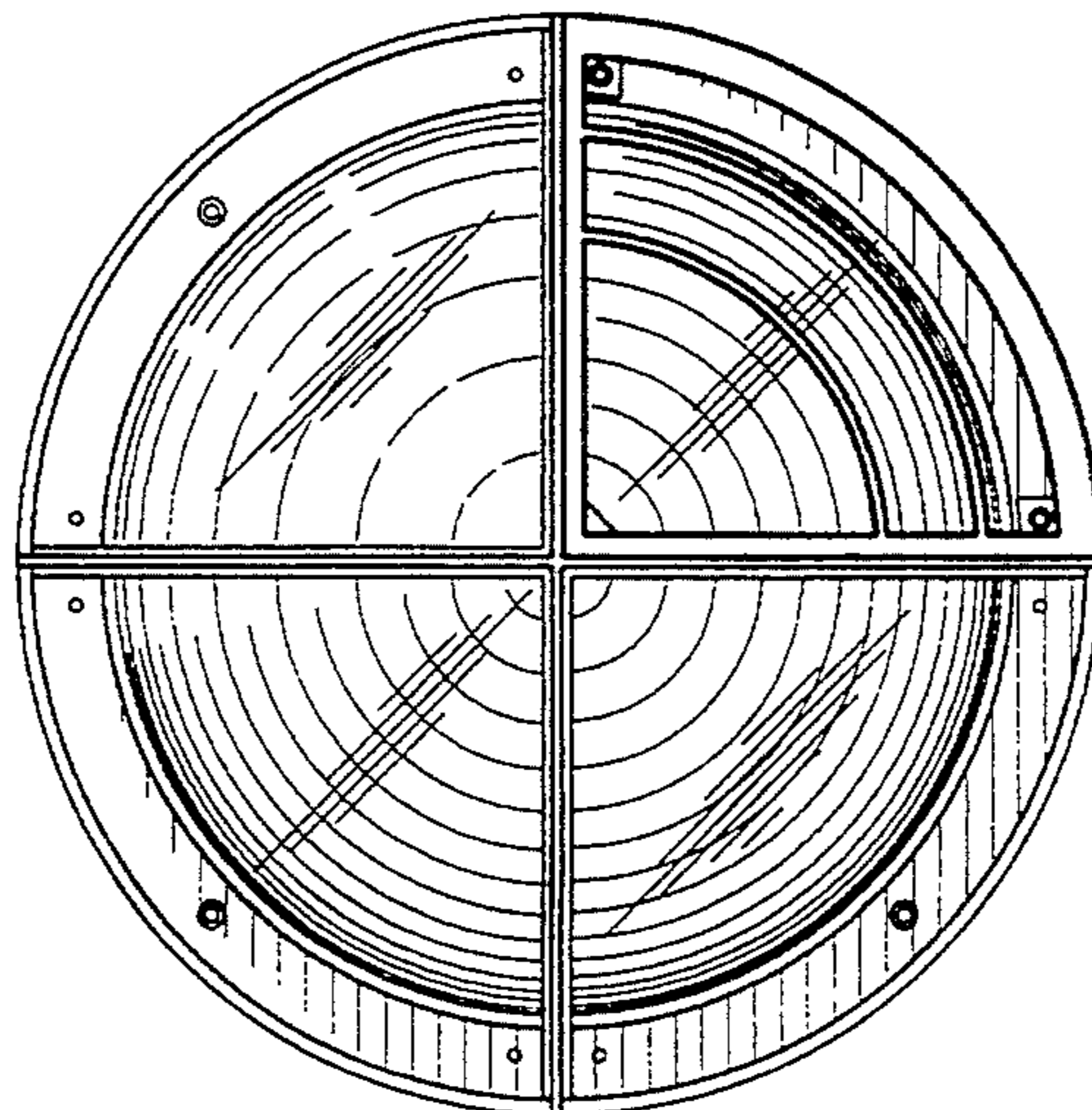


FIG. 4

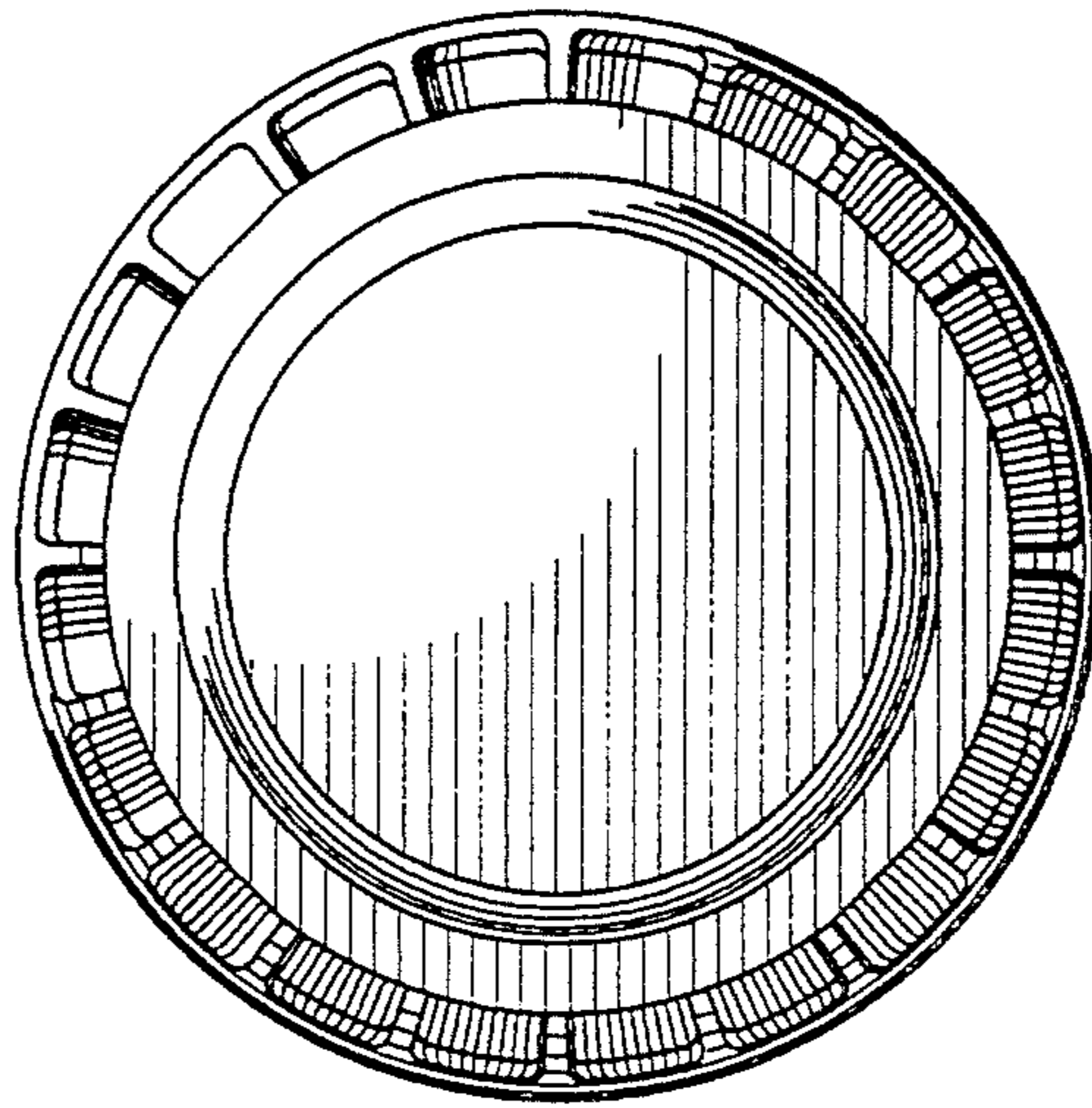


FIG. 5

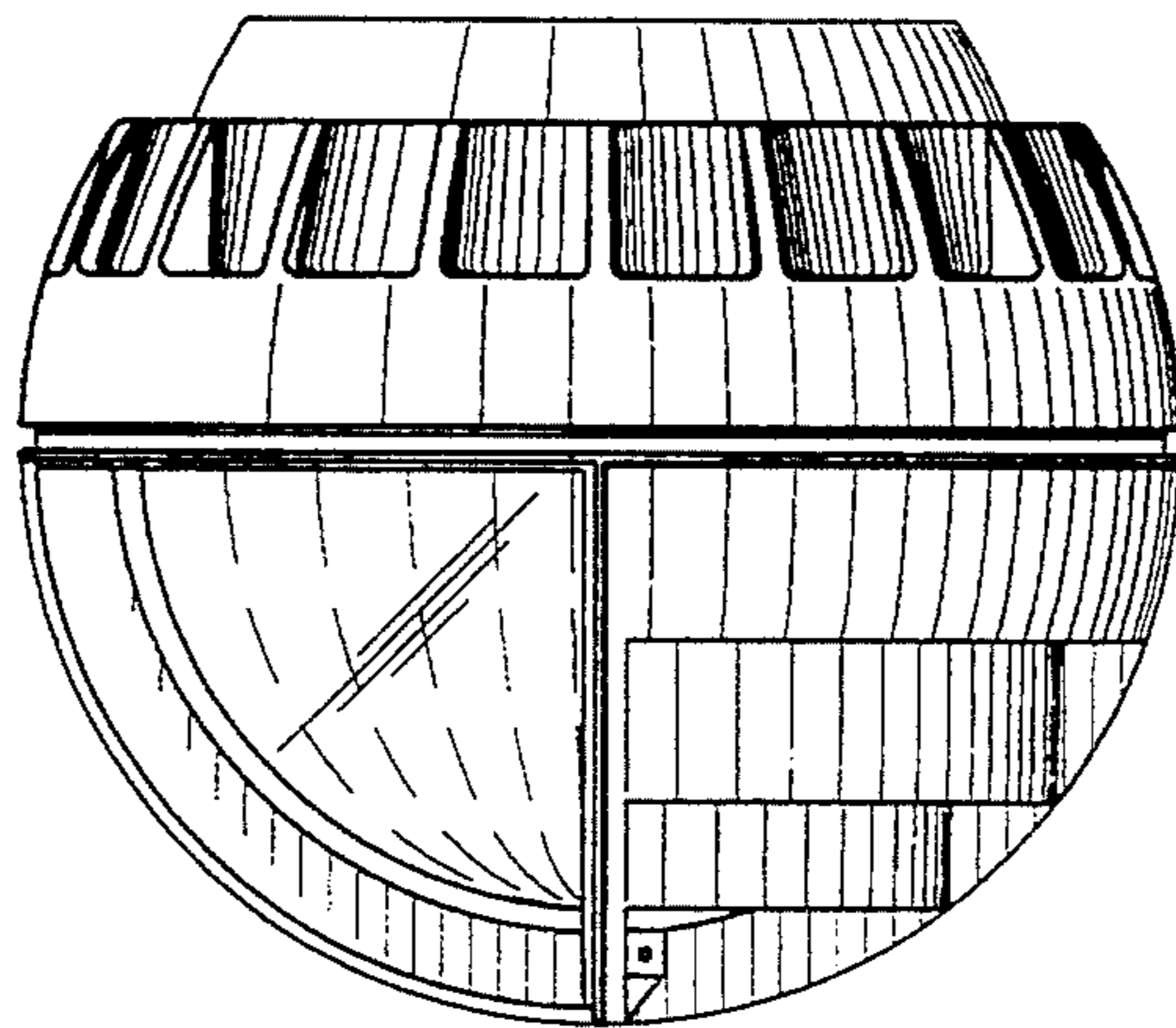


FIG. 6

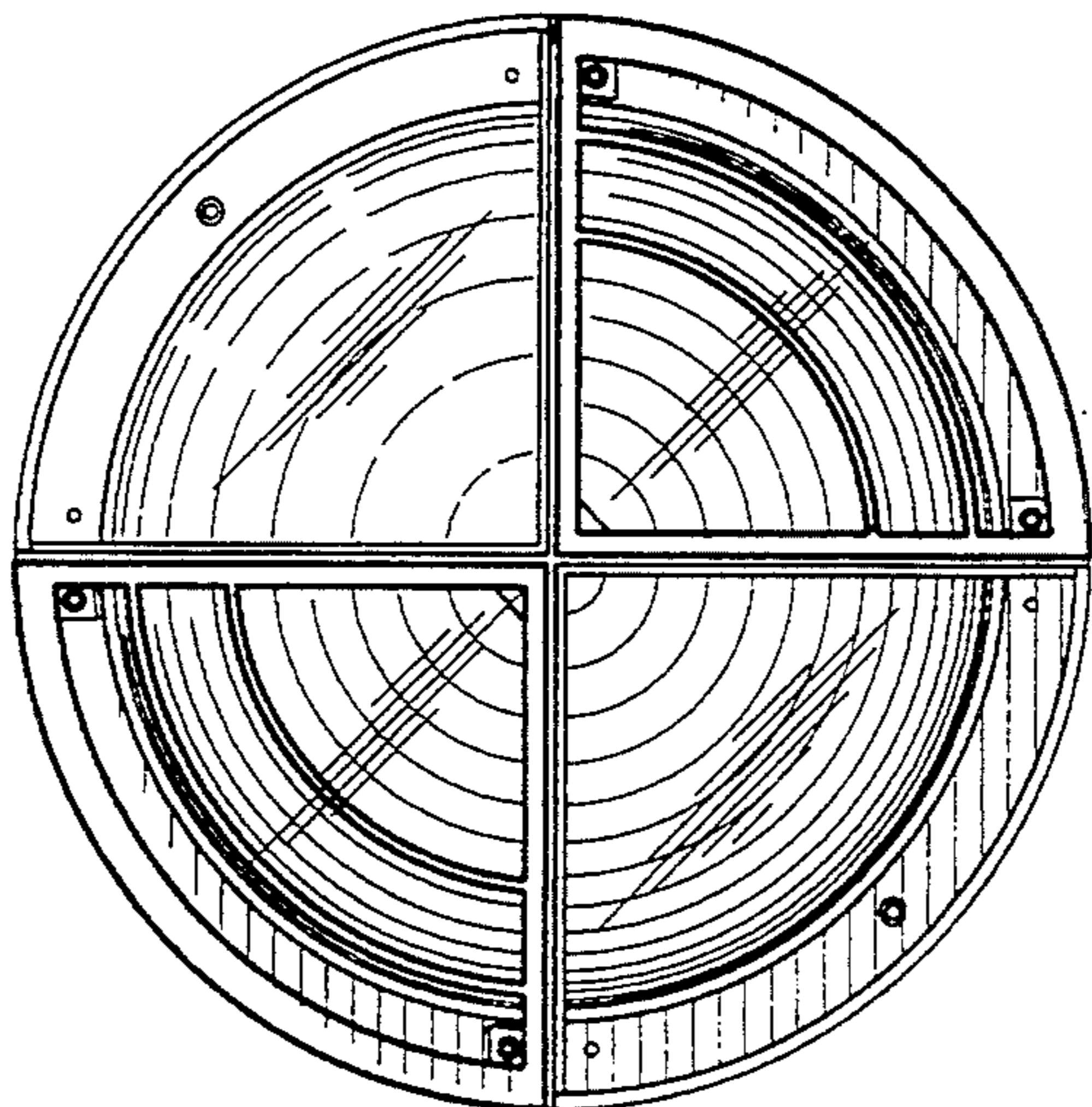


FIG. 7

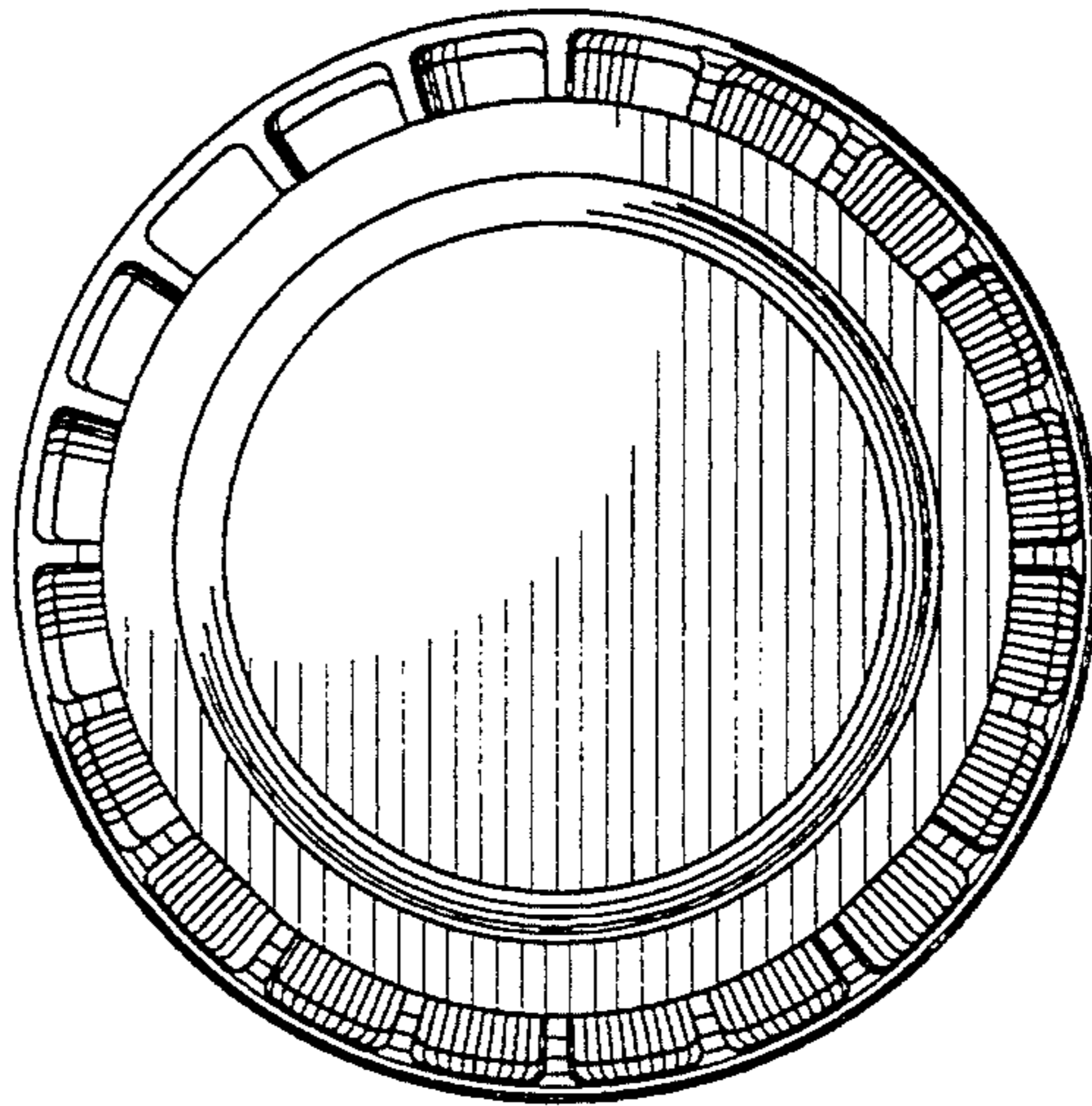


FIG. 8

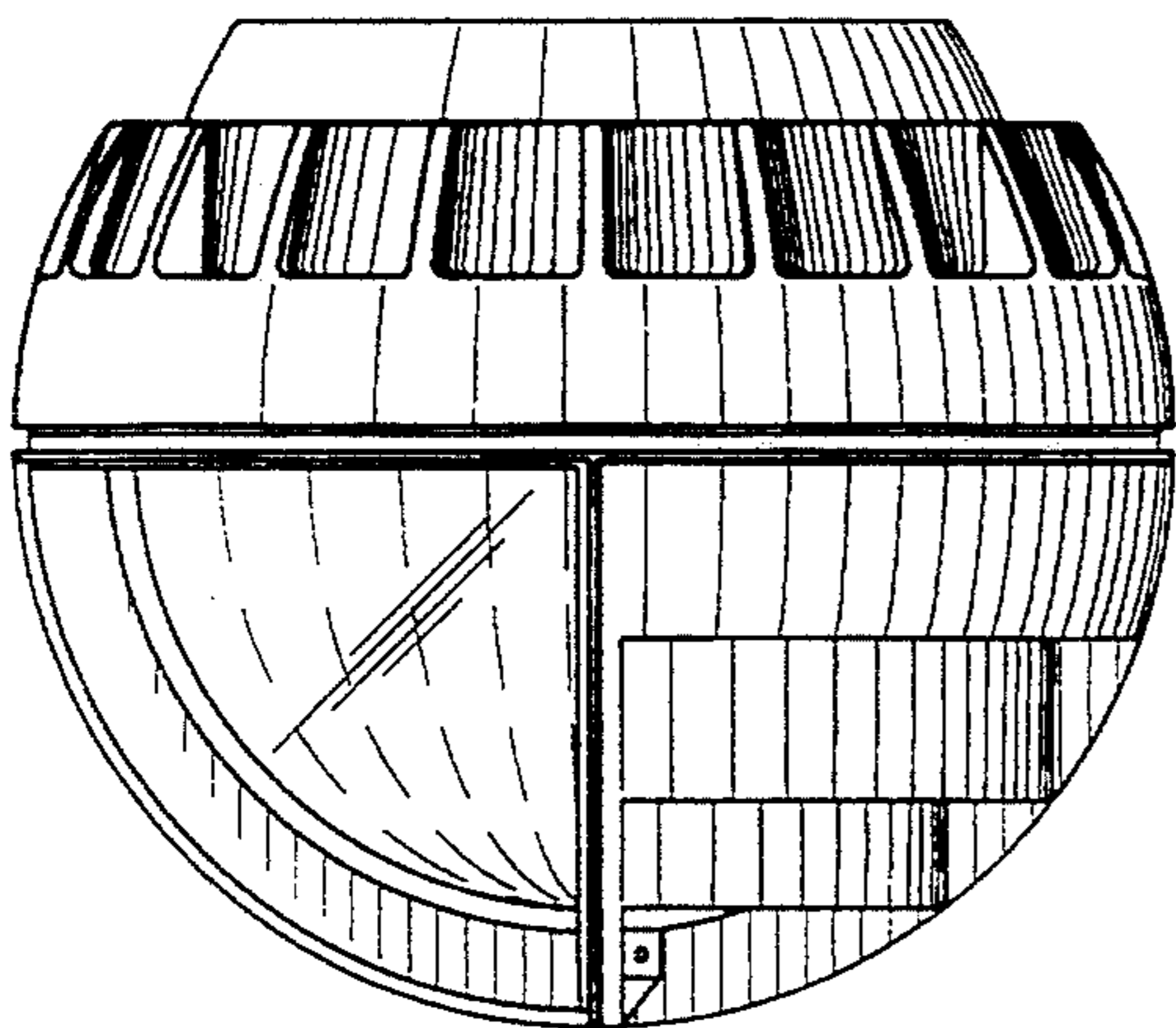


FIG. 9

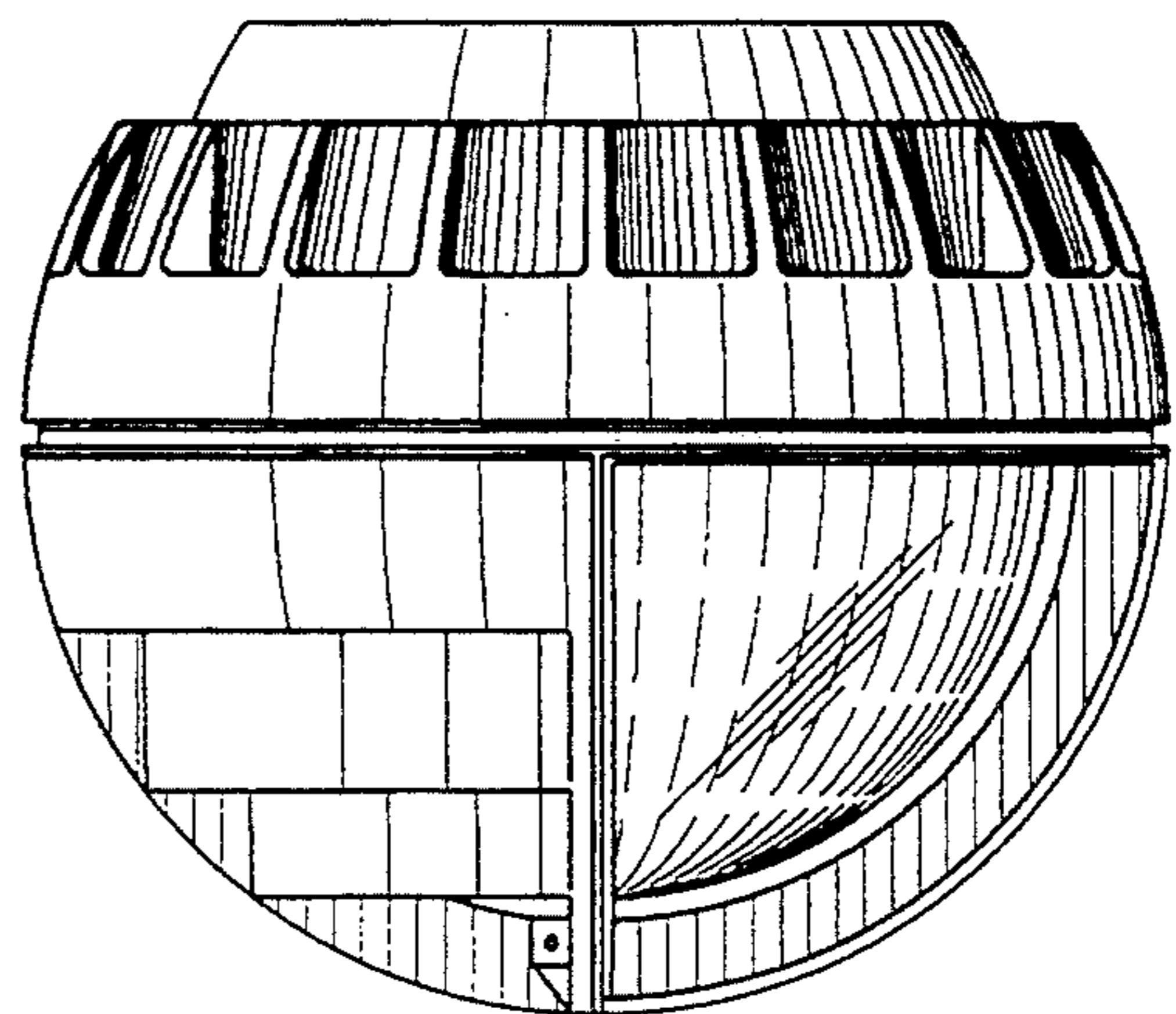


FIG. 10

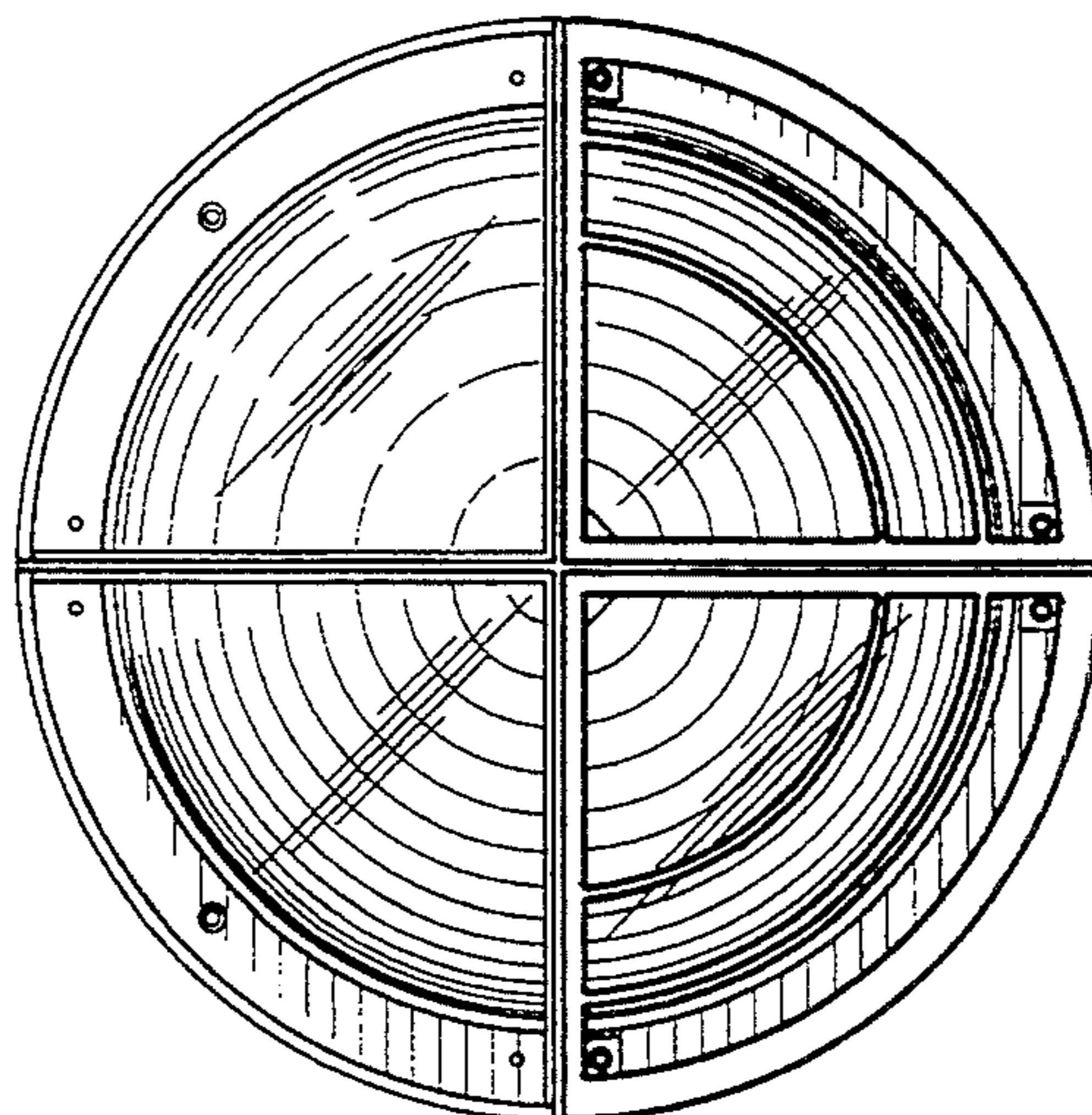


FIG. 11

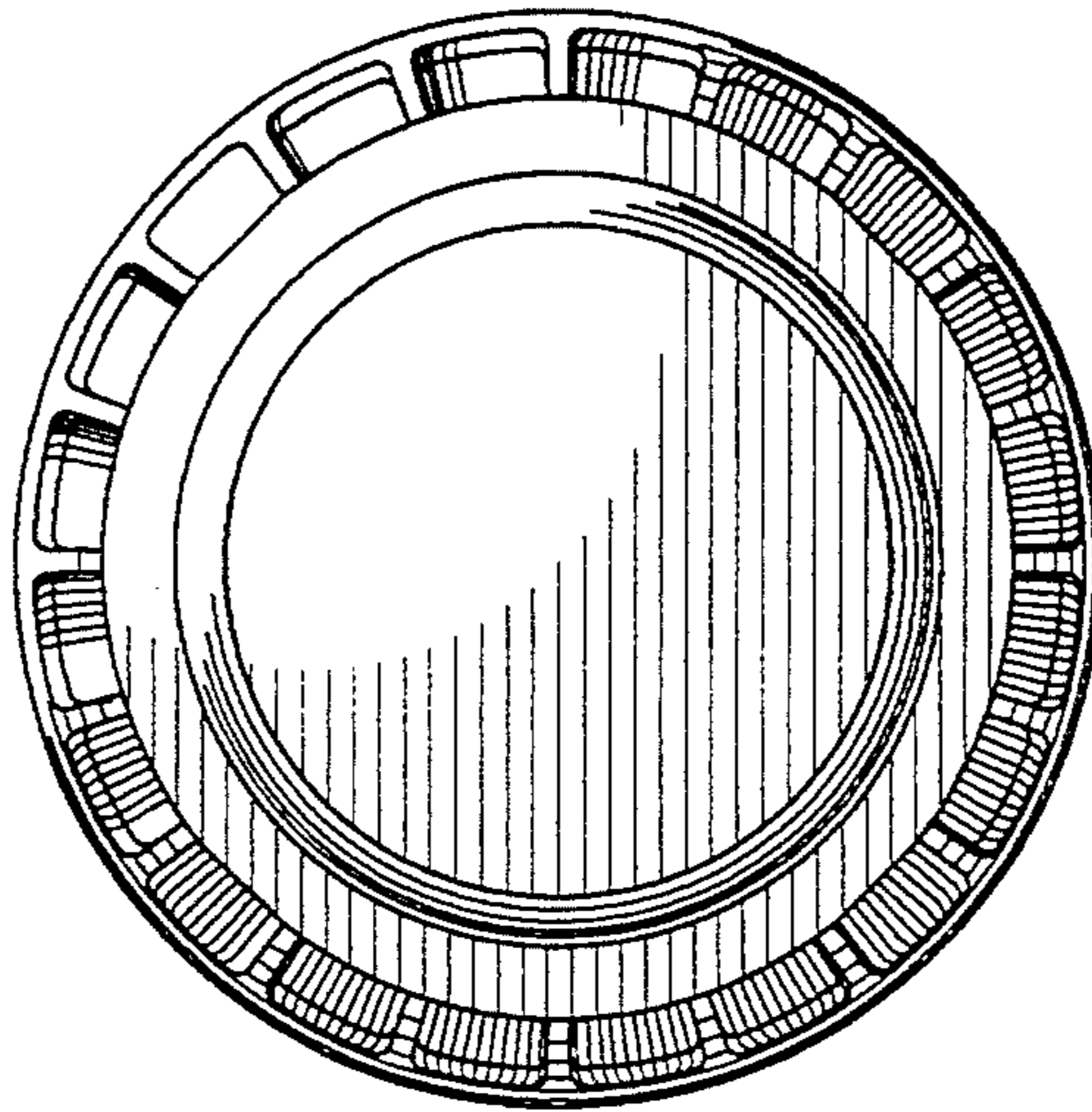


FIG. 12

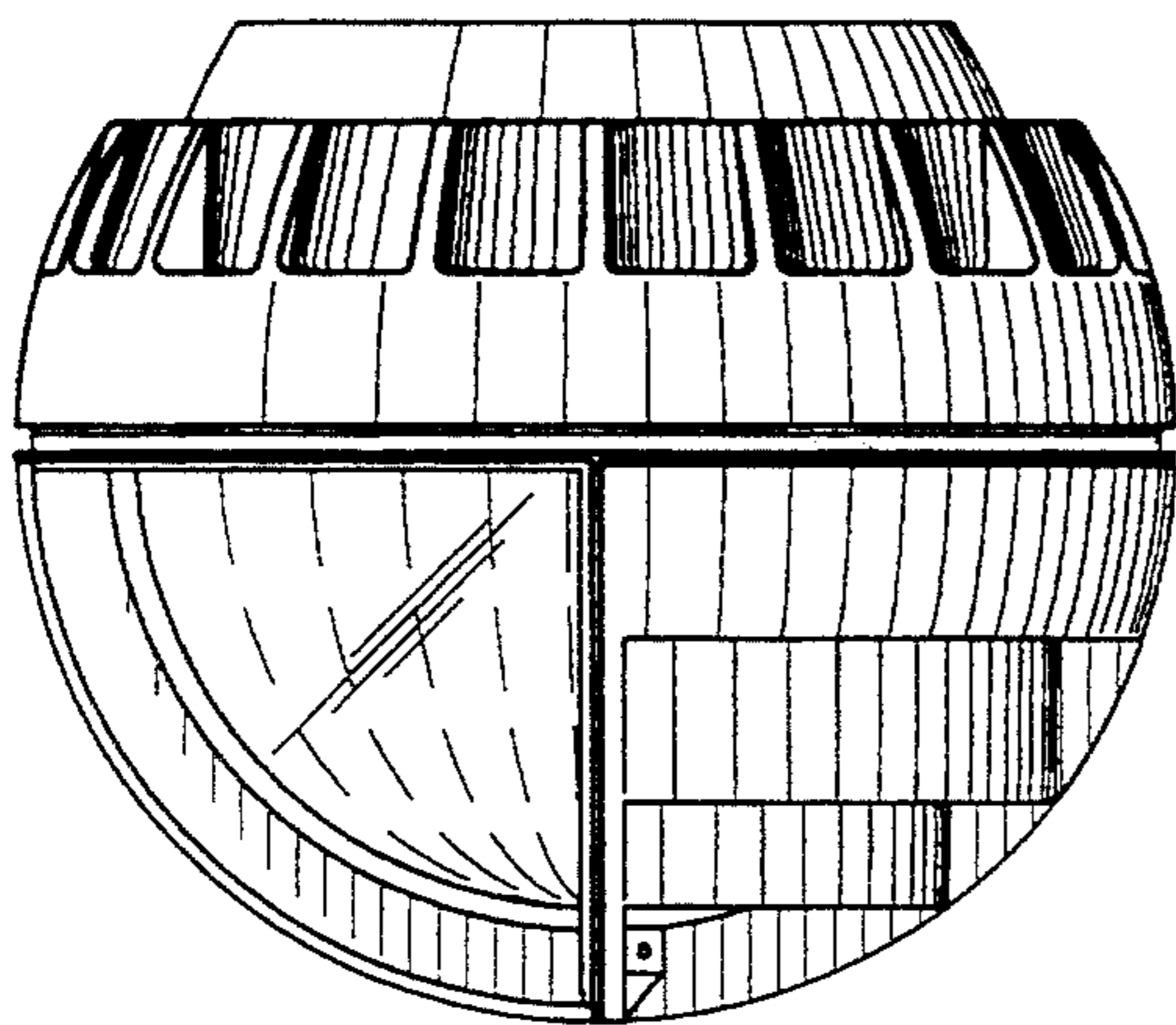


FIG. 13

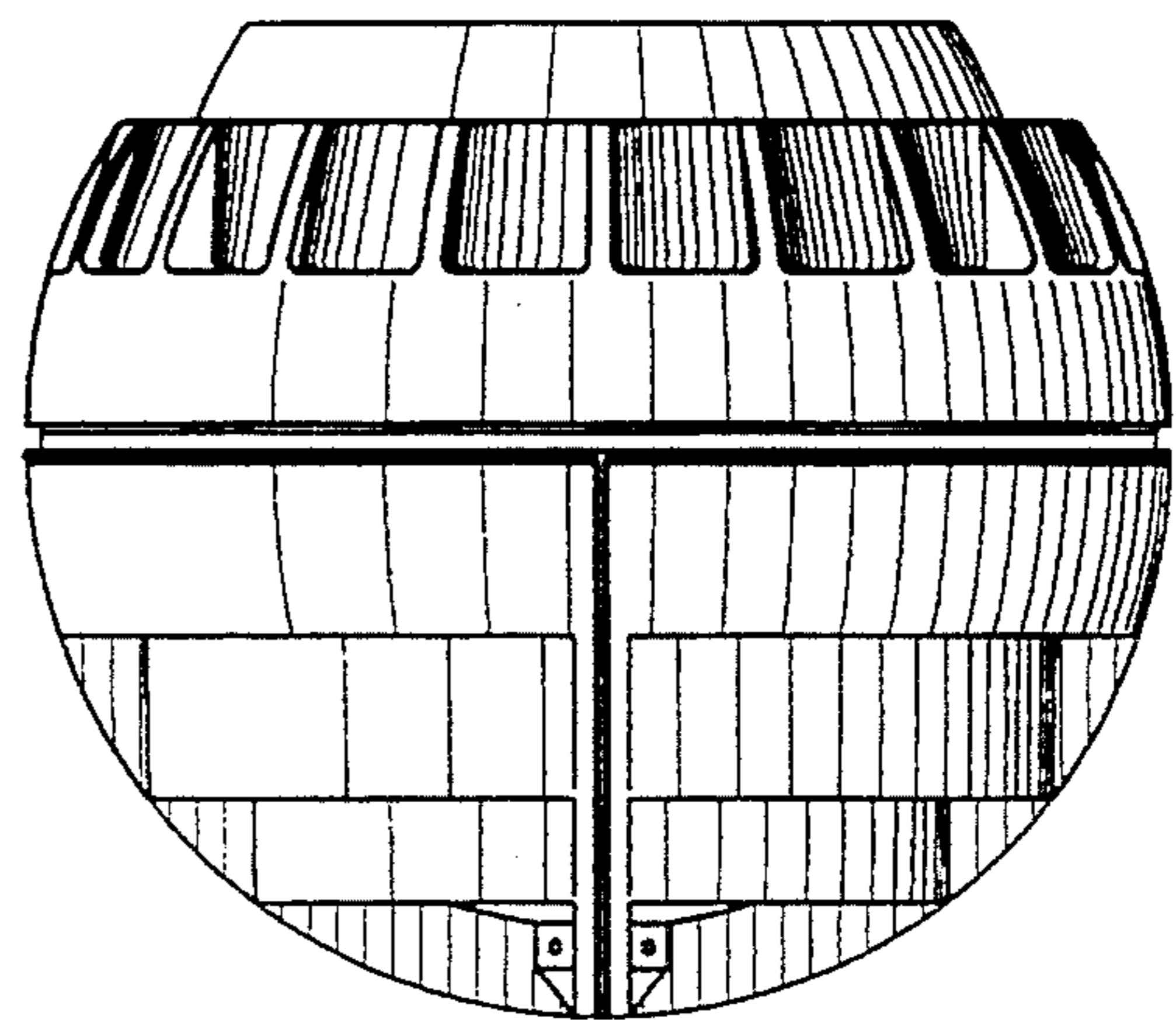


FIG. 14

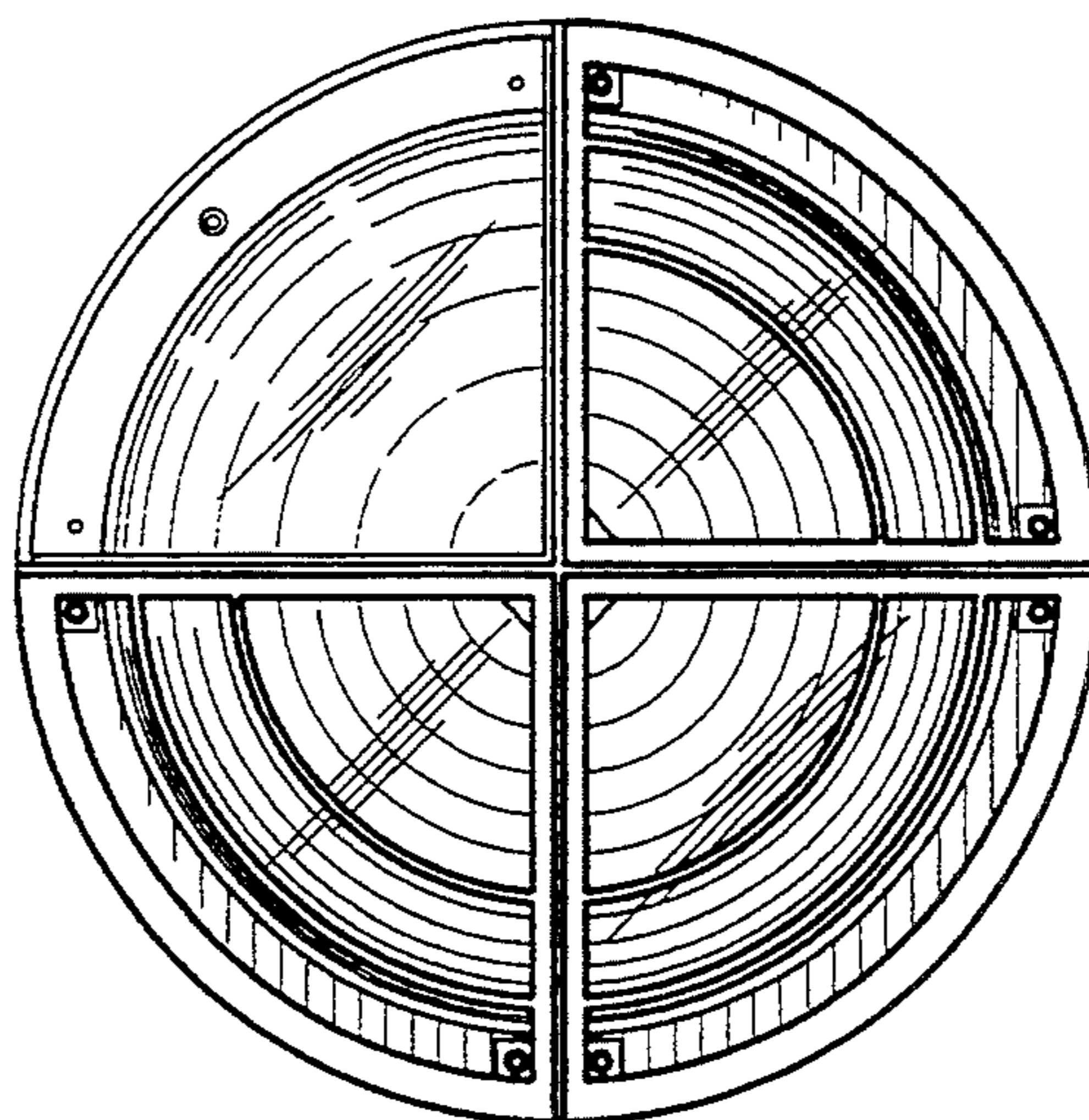


FIG. 15

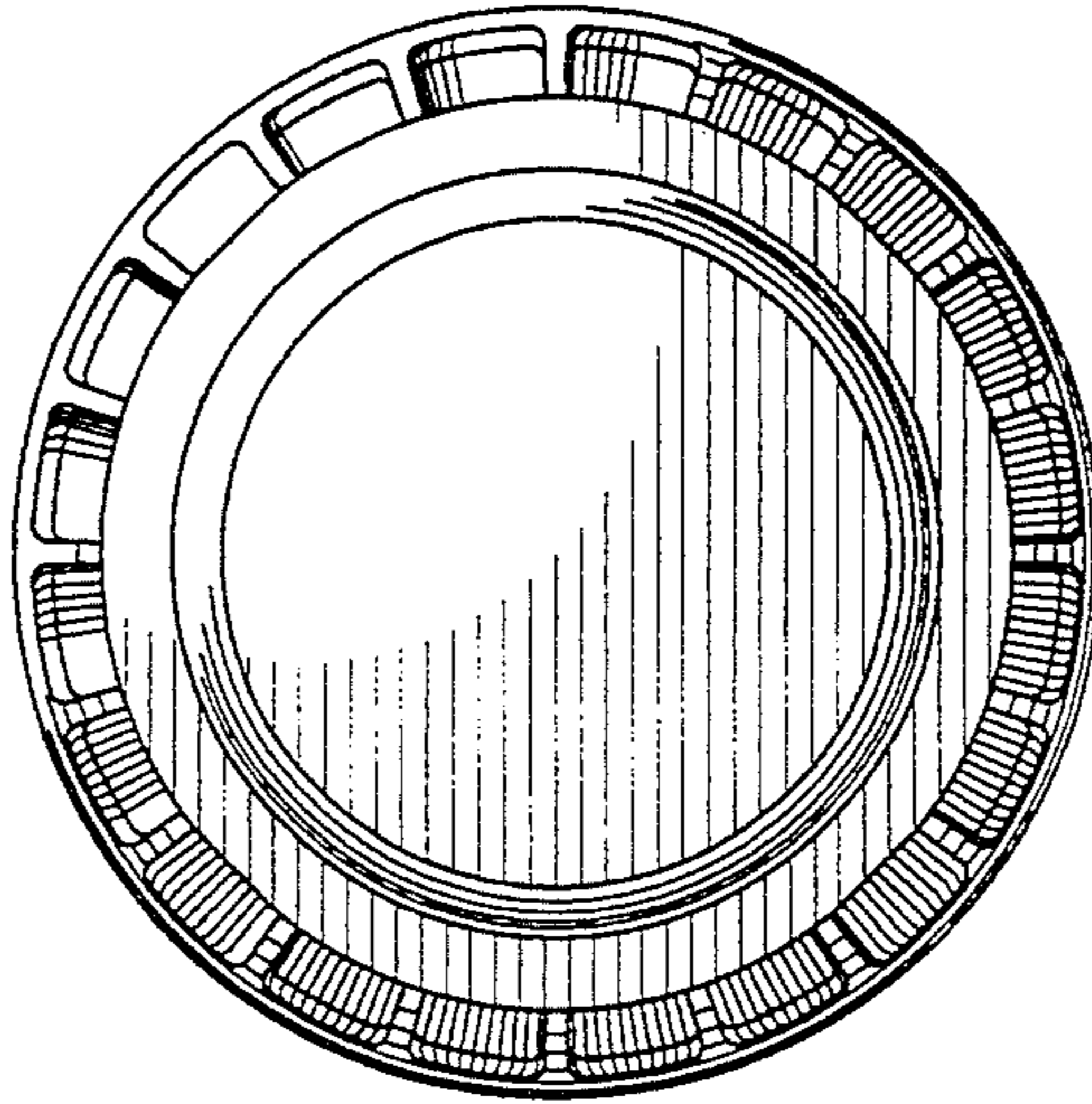


FIG. 16

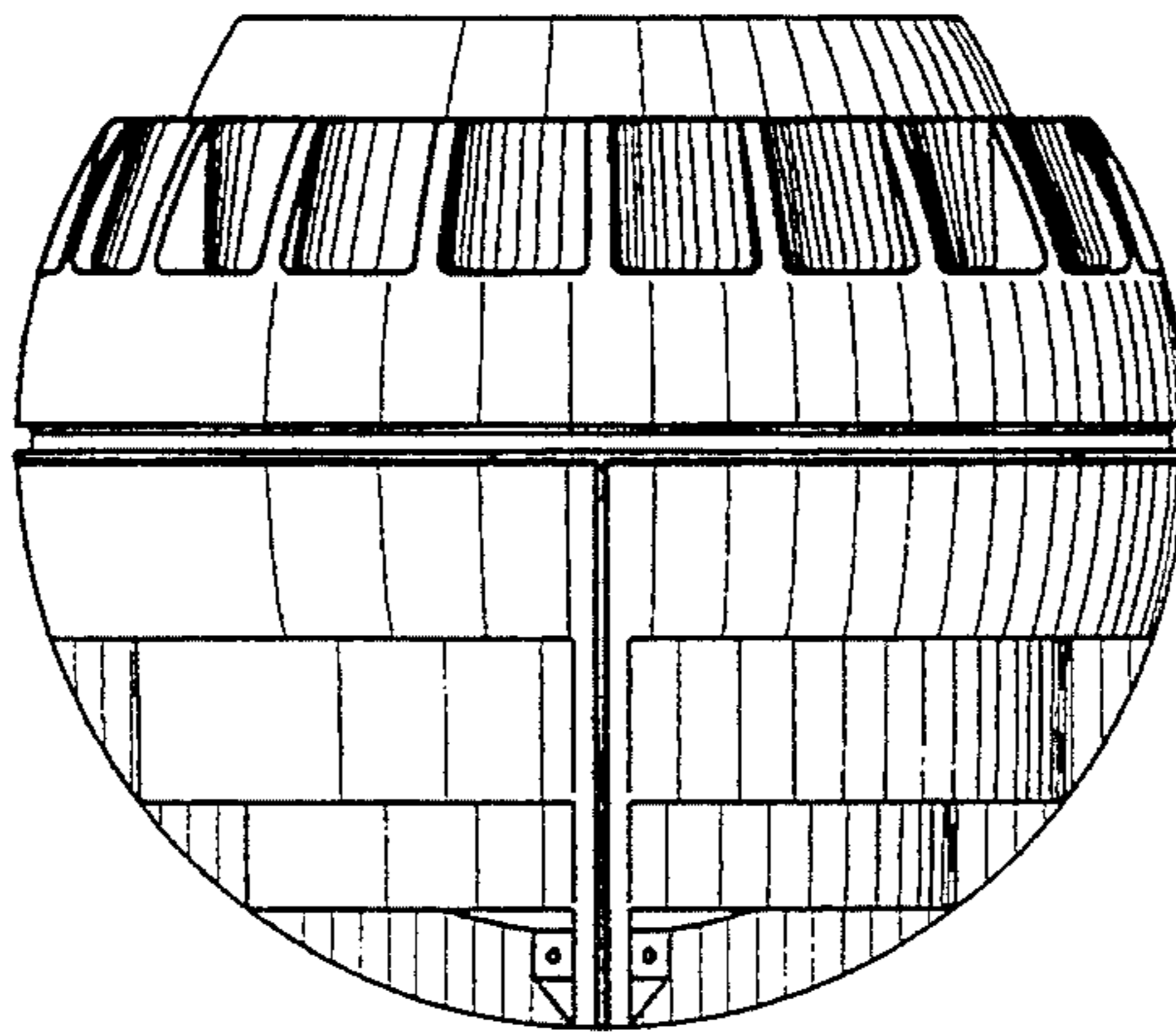


FIG. 17

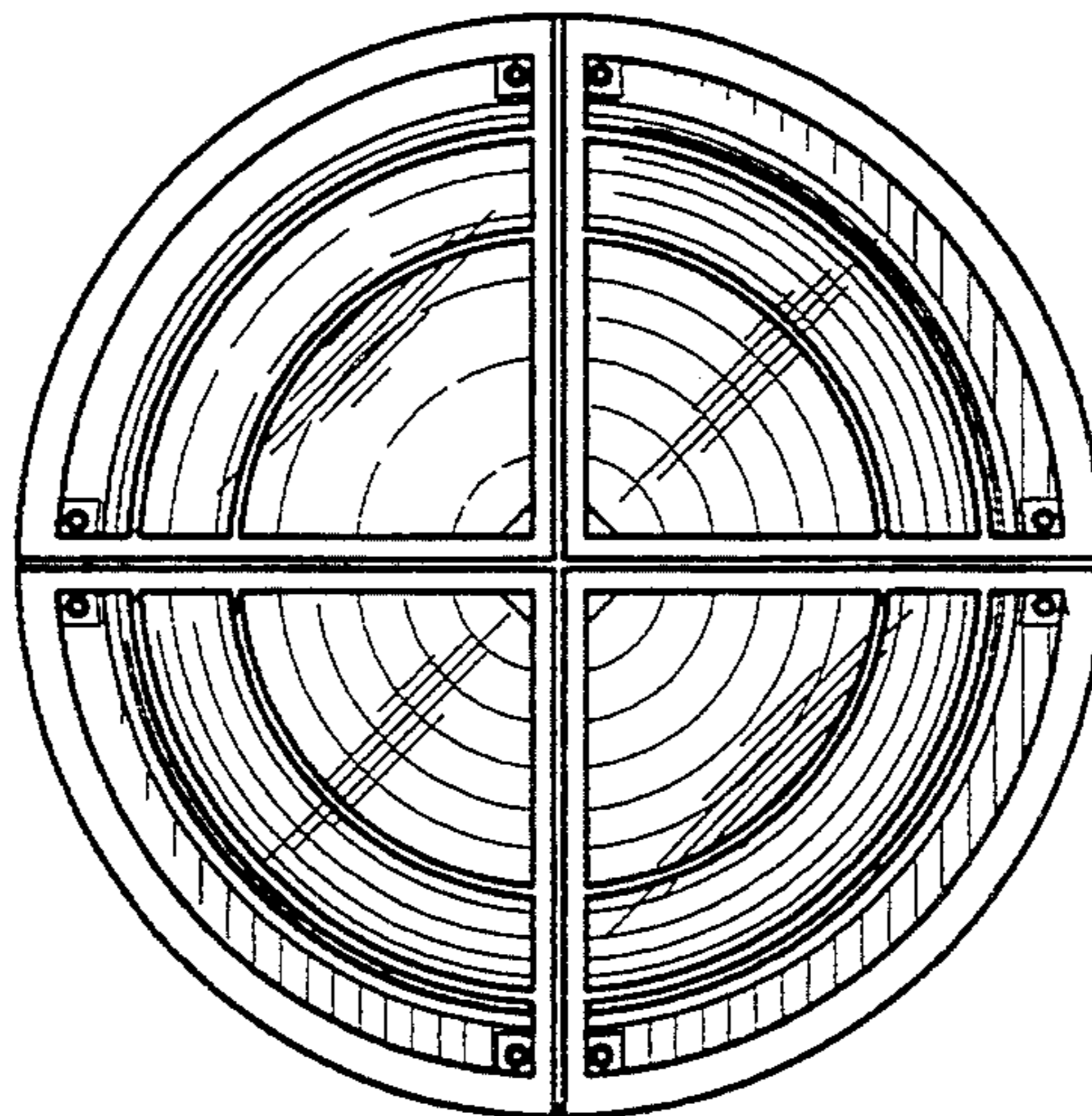


FIG. 18

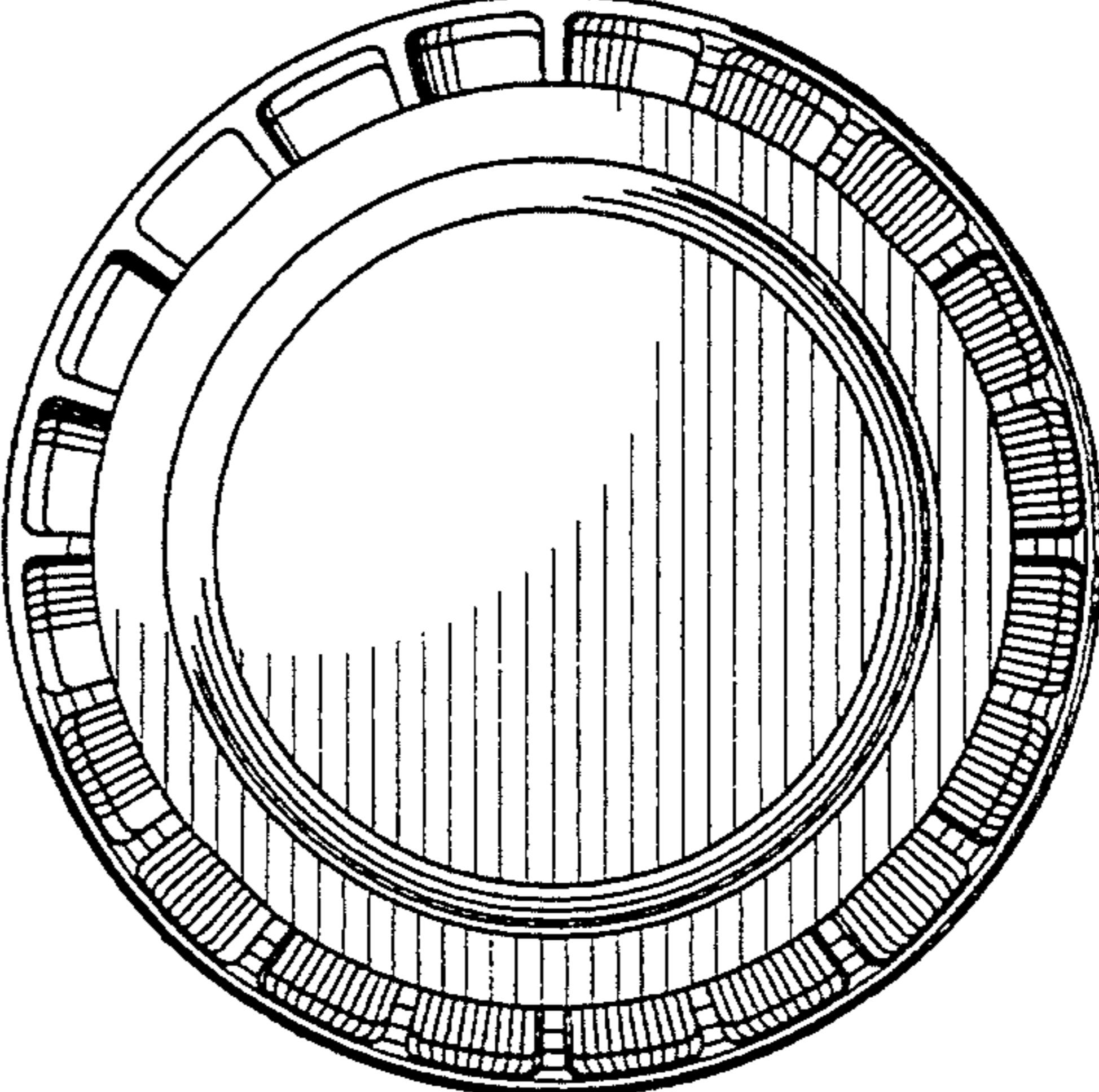


FIG. 19

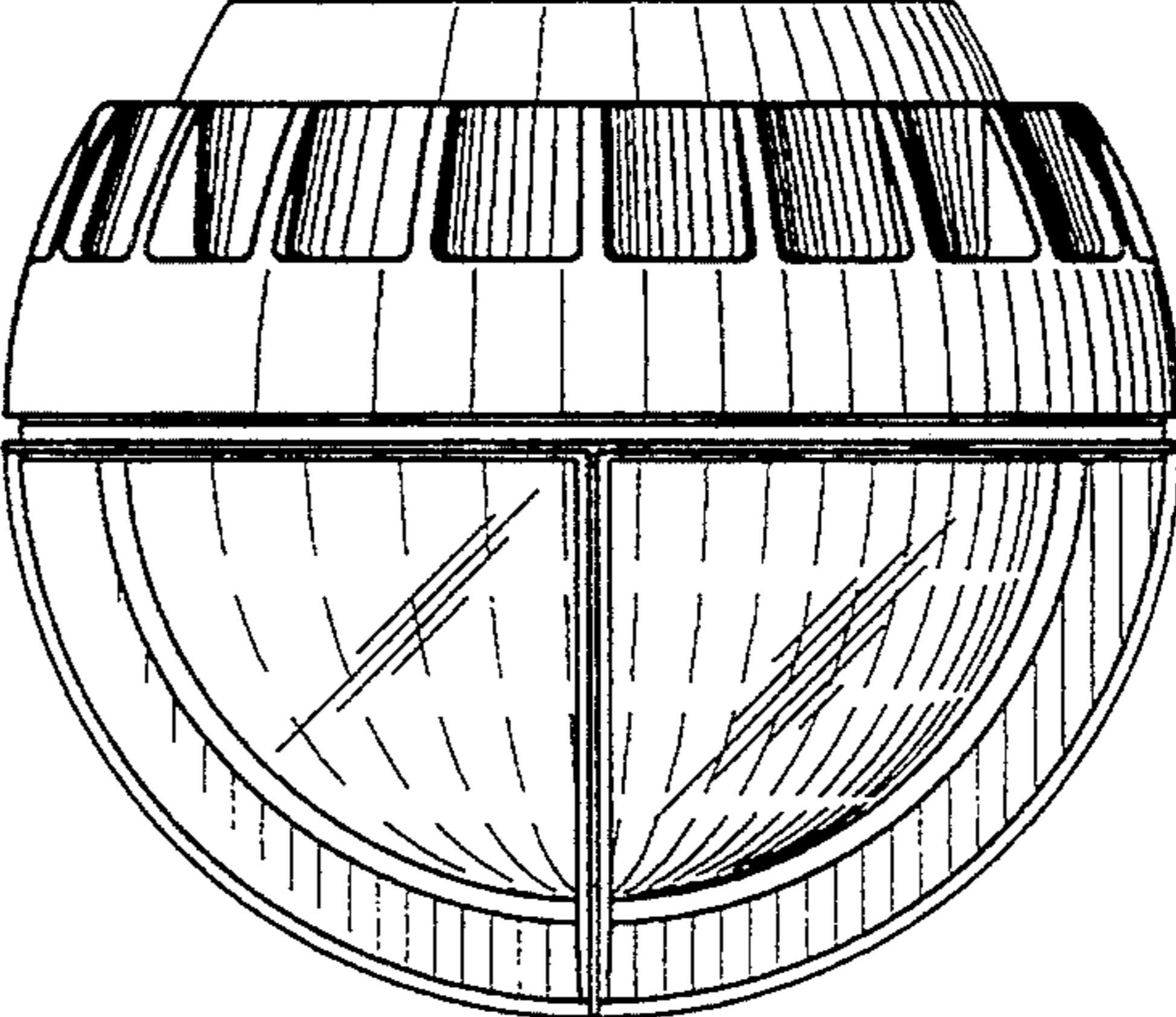


FIG. 20

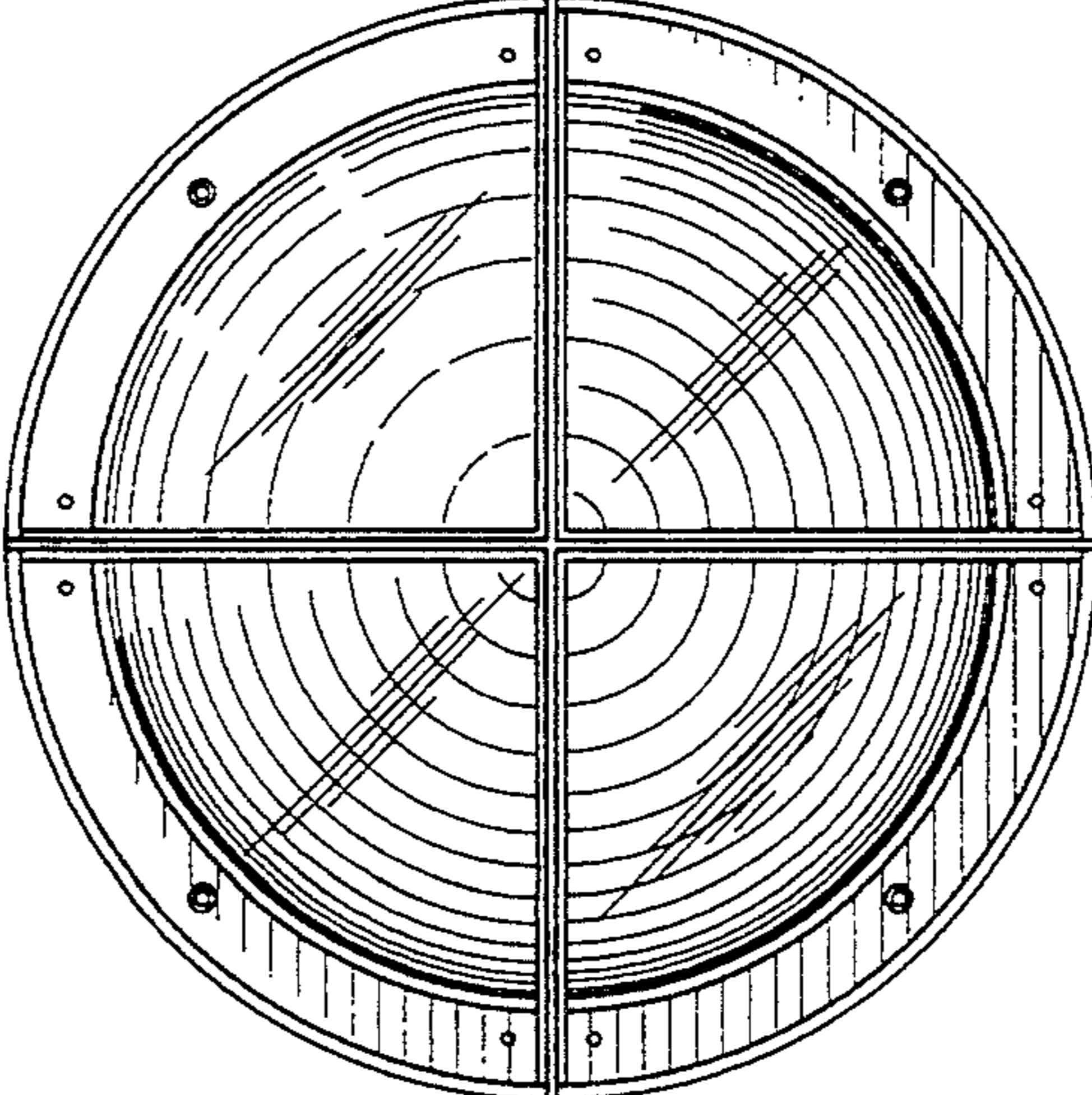


FIG. 21

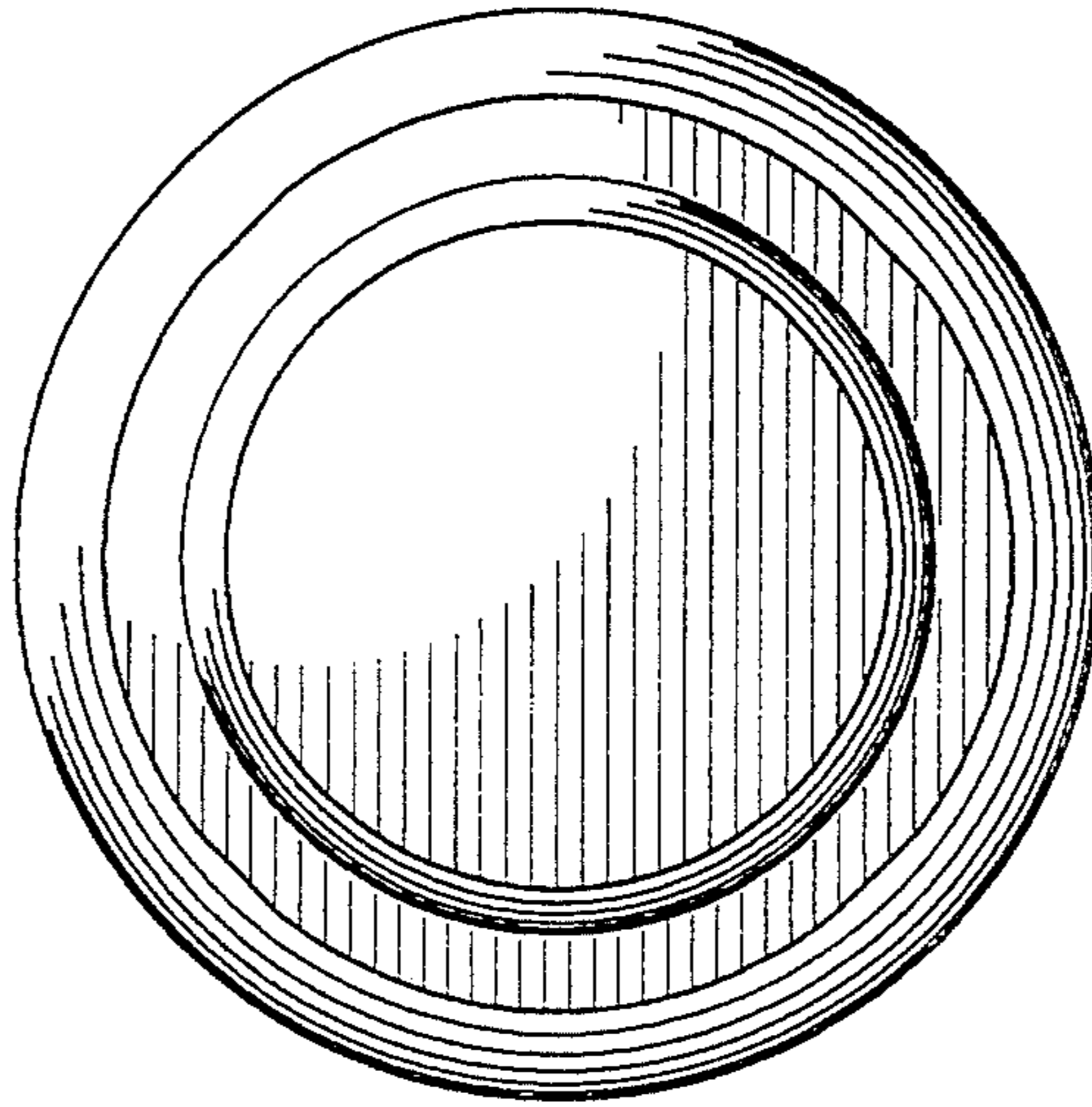


FIG. 22

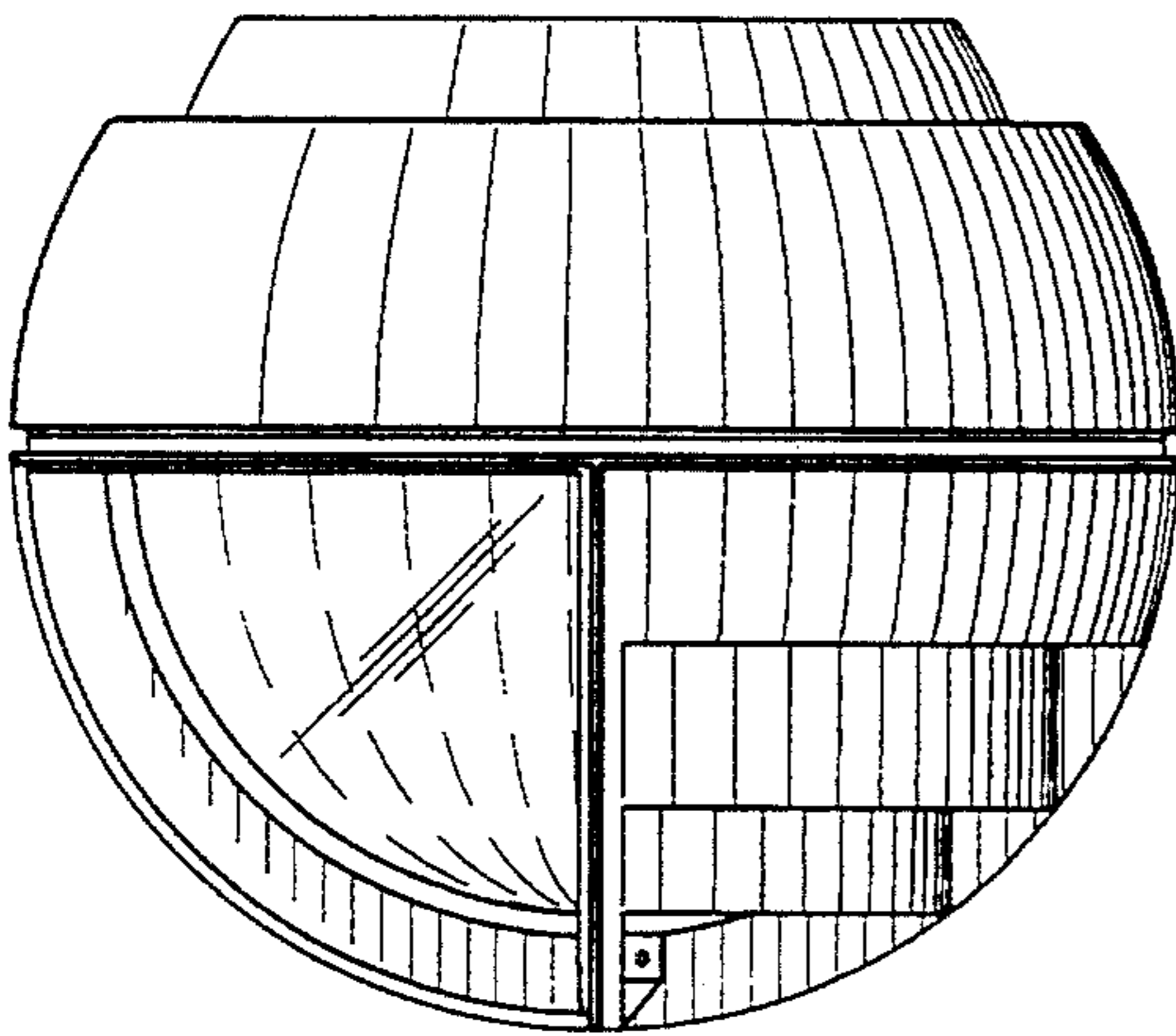


FIG. 23

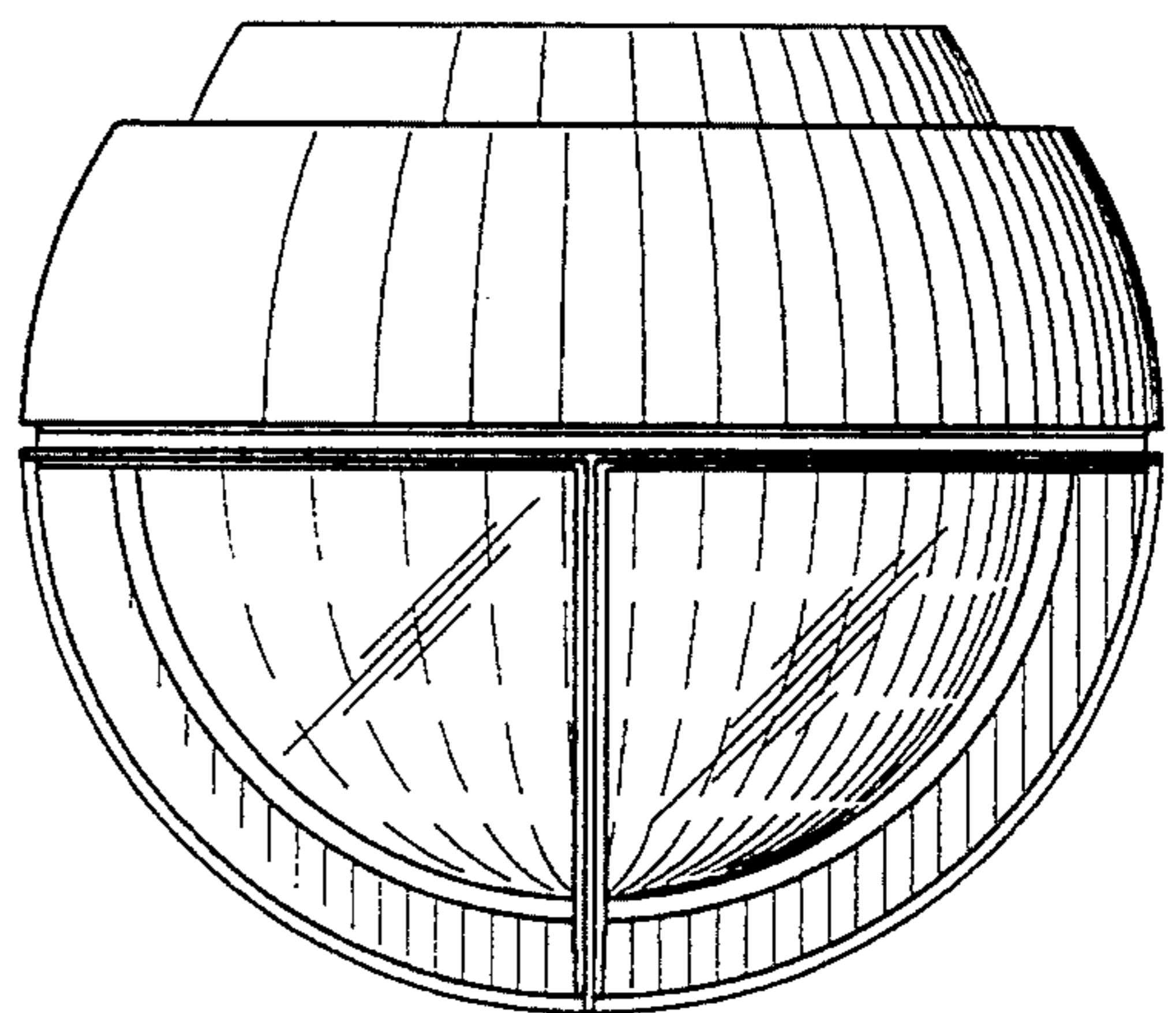


FIG. 24

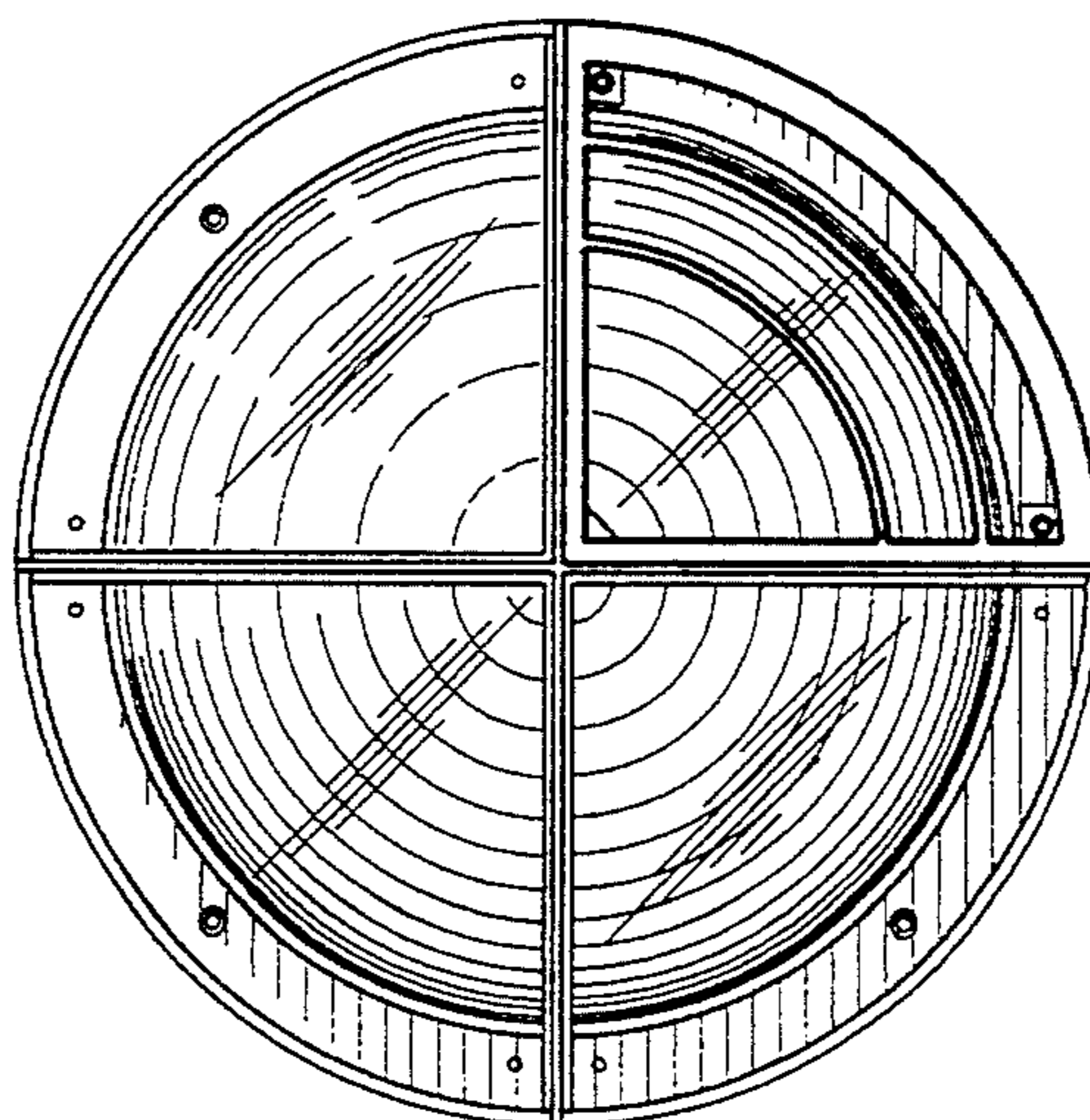


FIG. 25

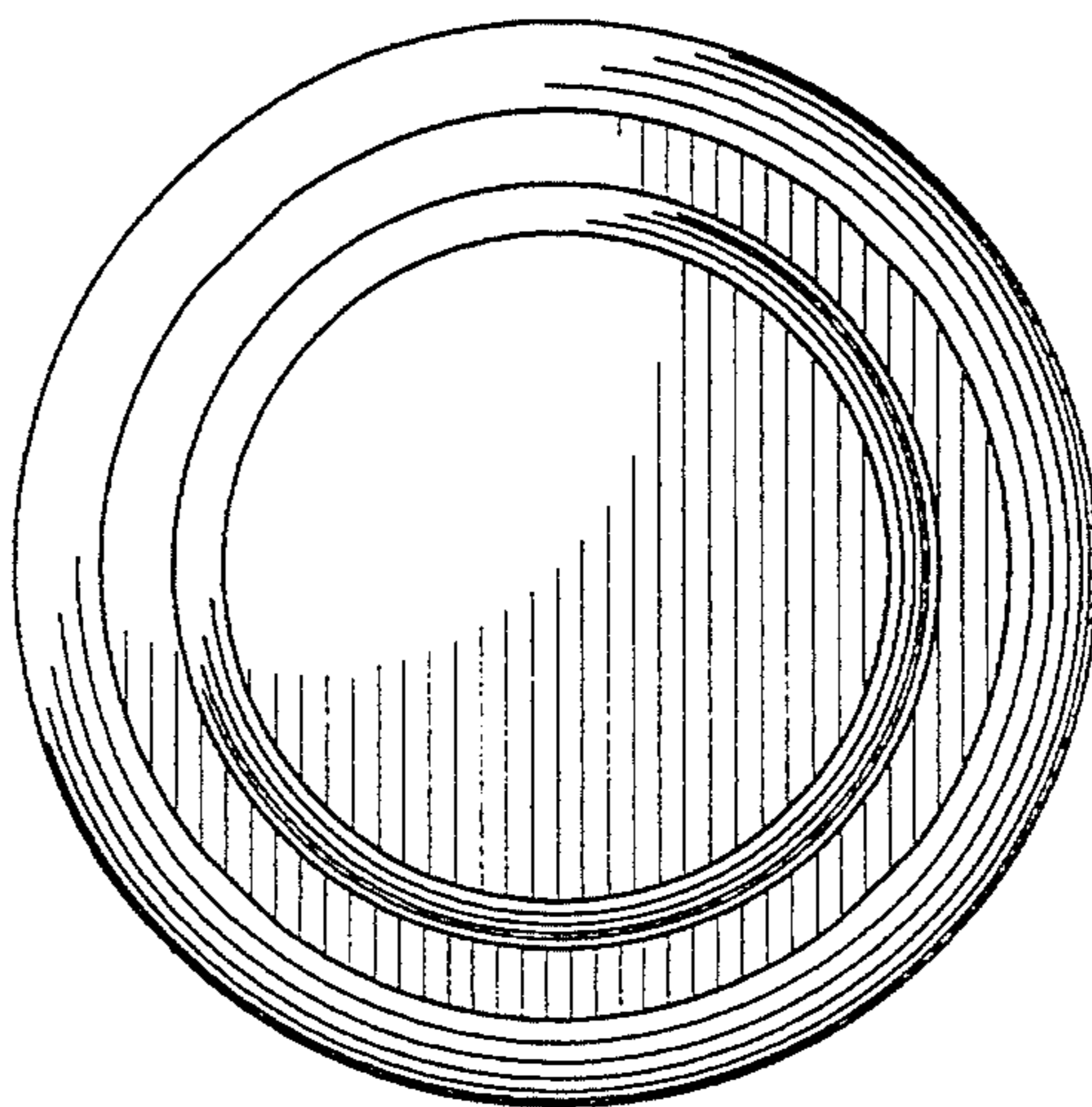


FIG. 26

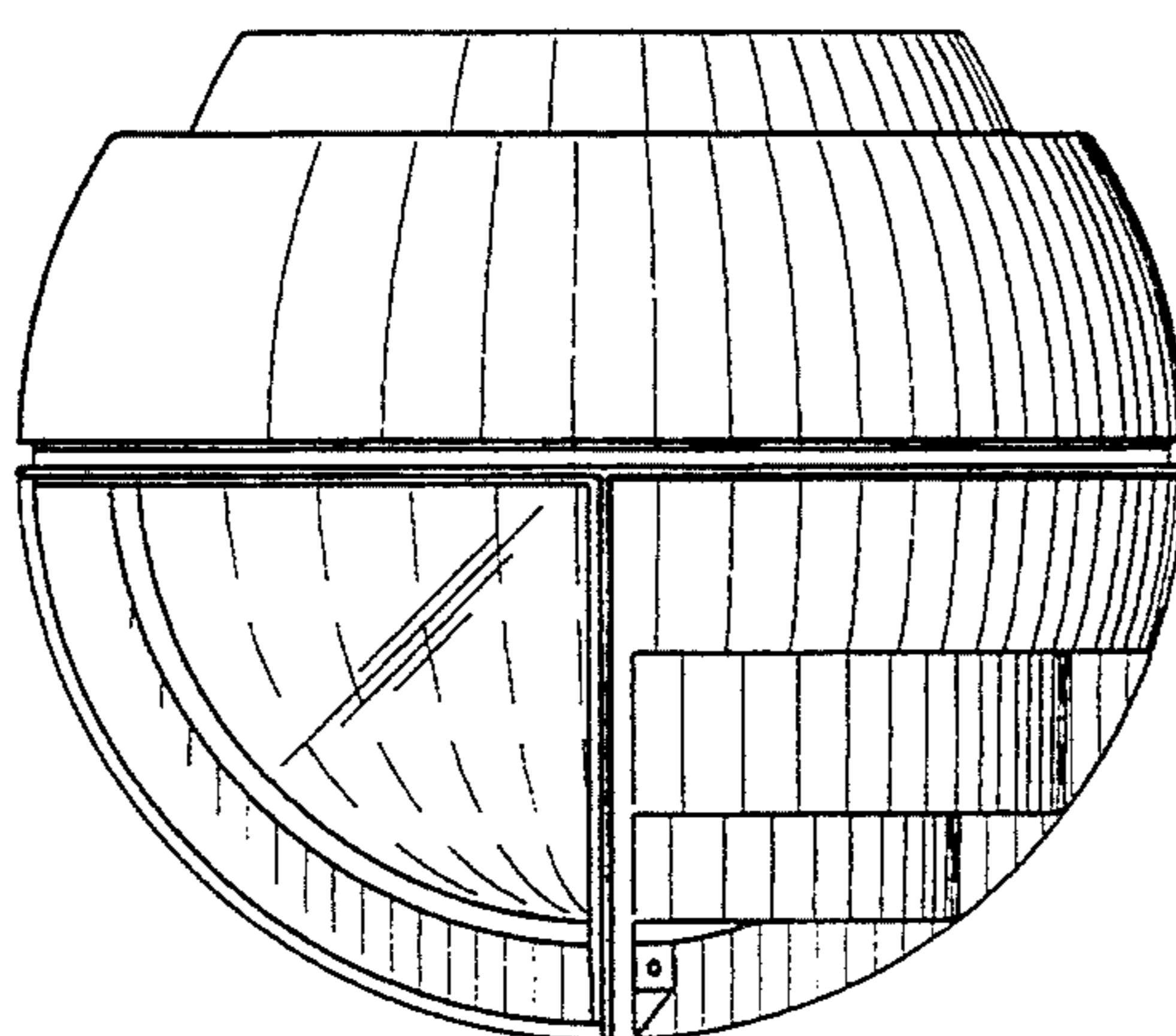


FIG. 27

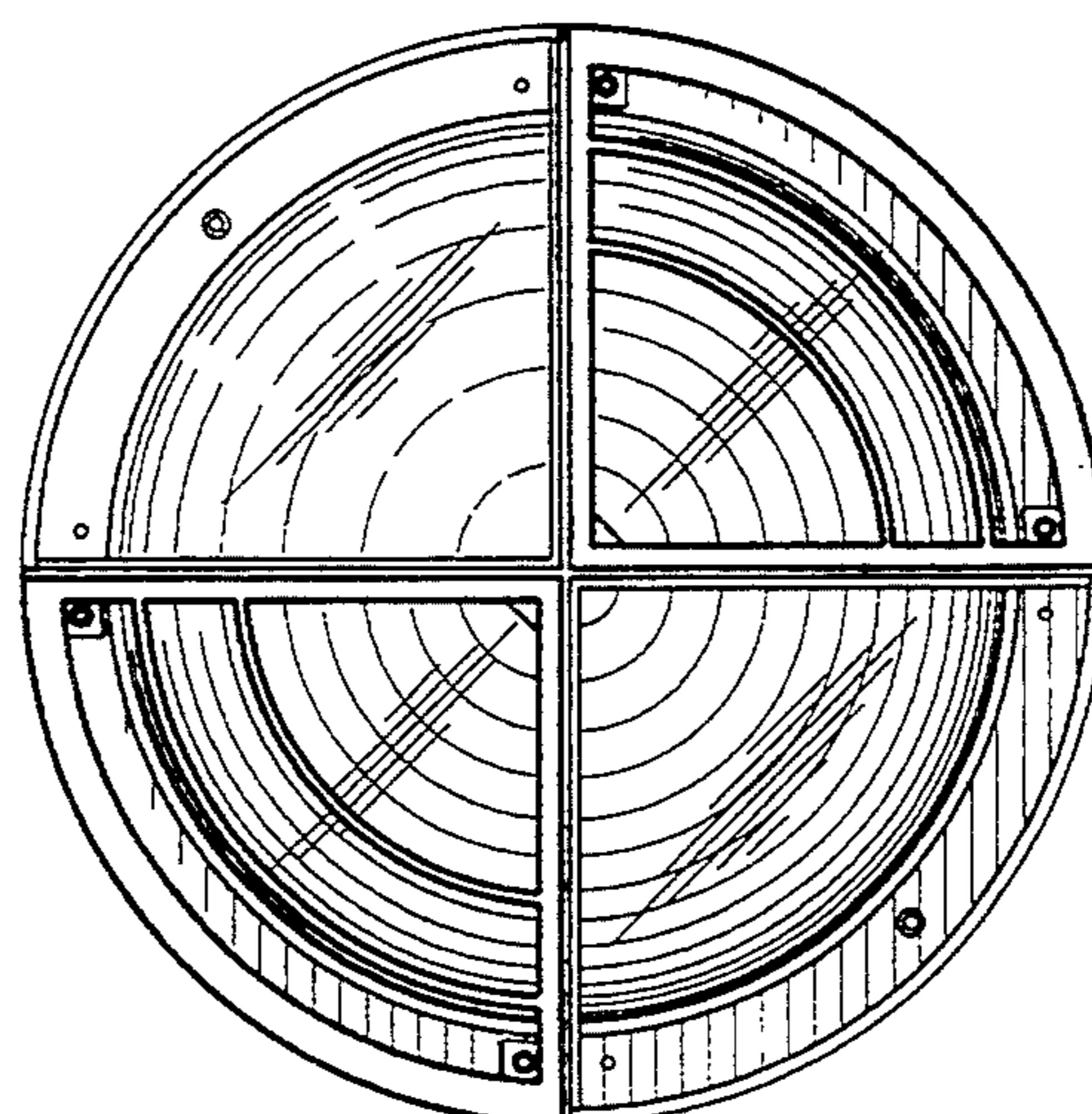


FIG. 28

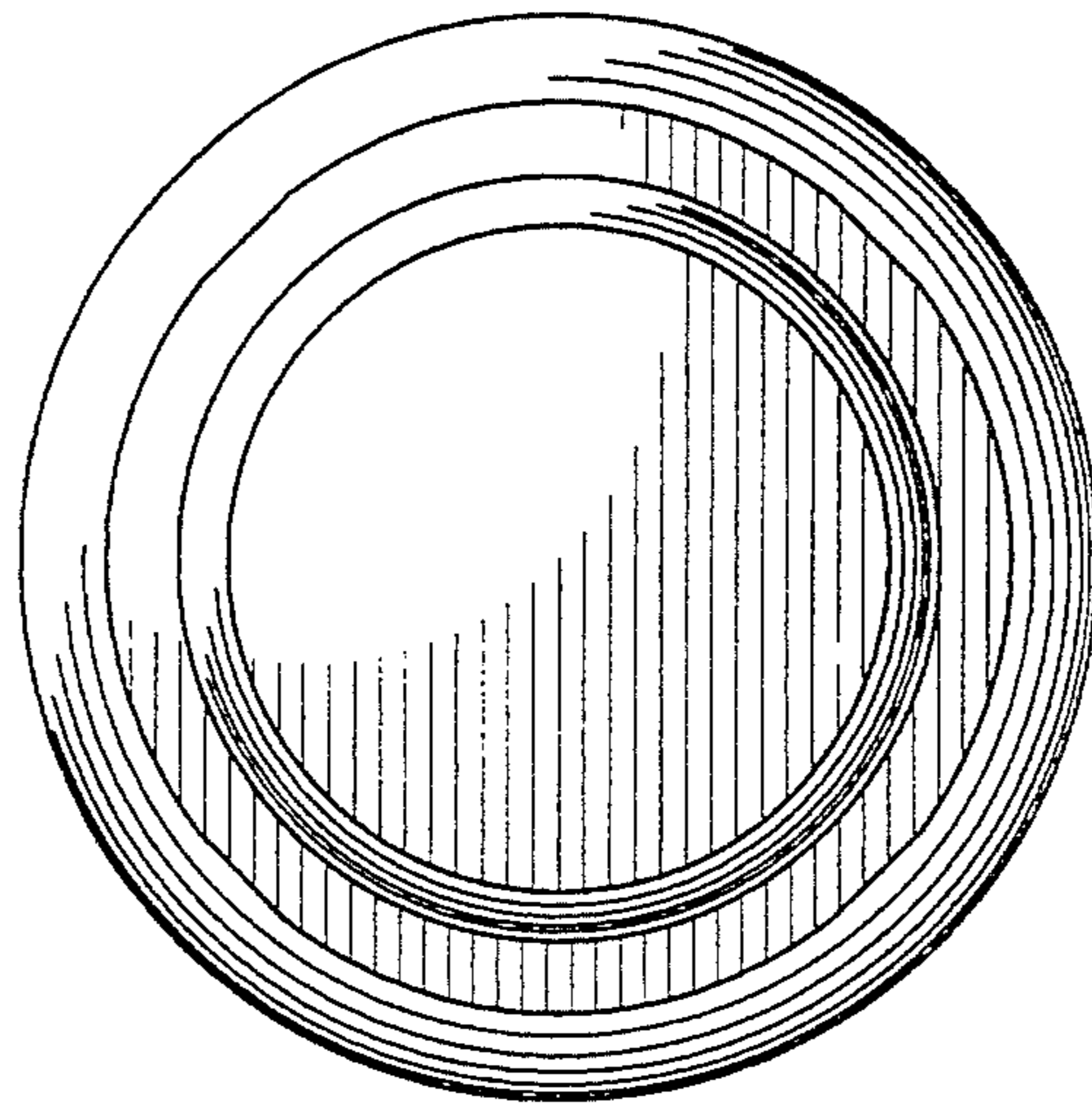


FIG. 29

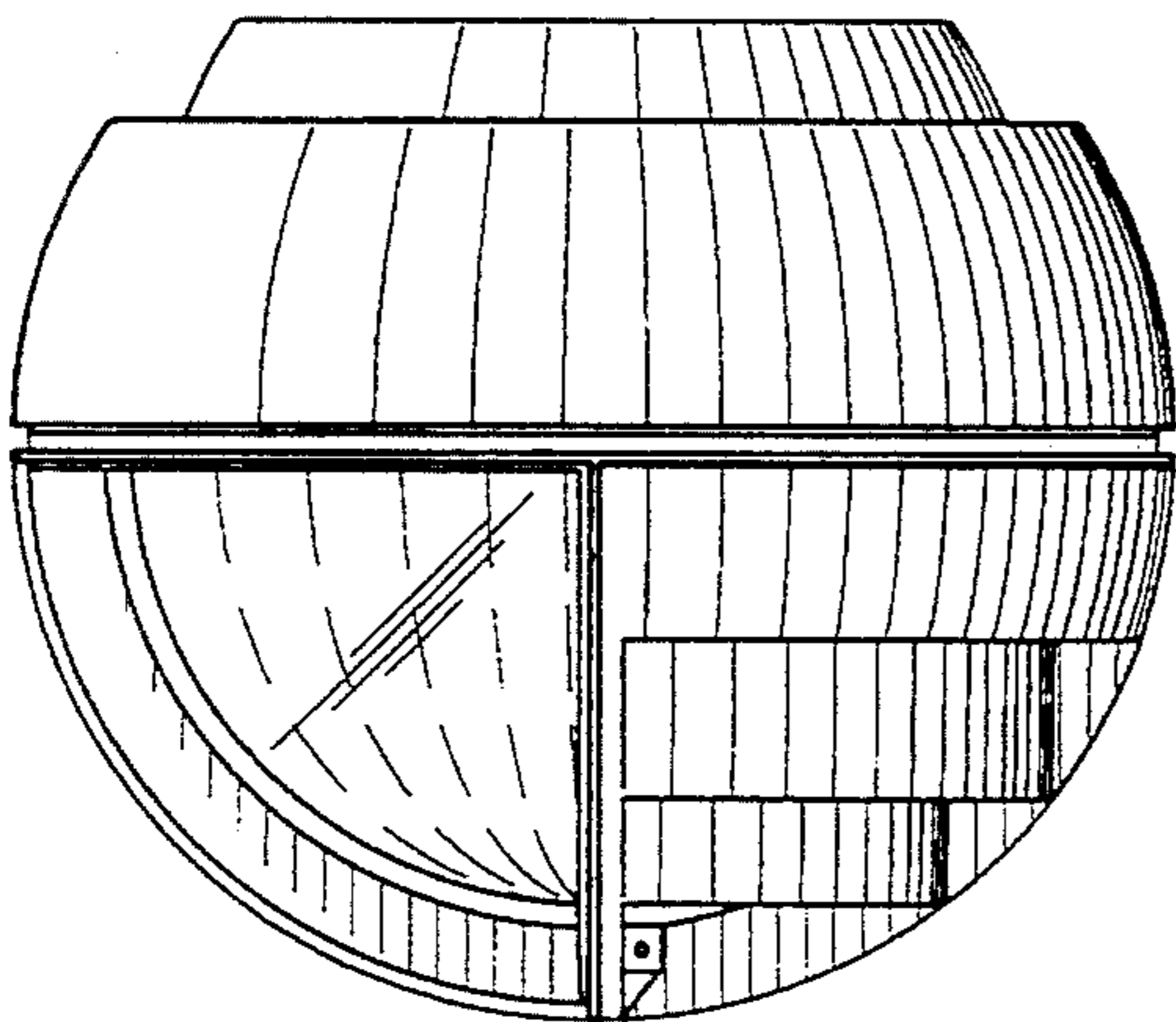


FIG. 30

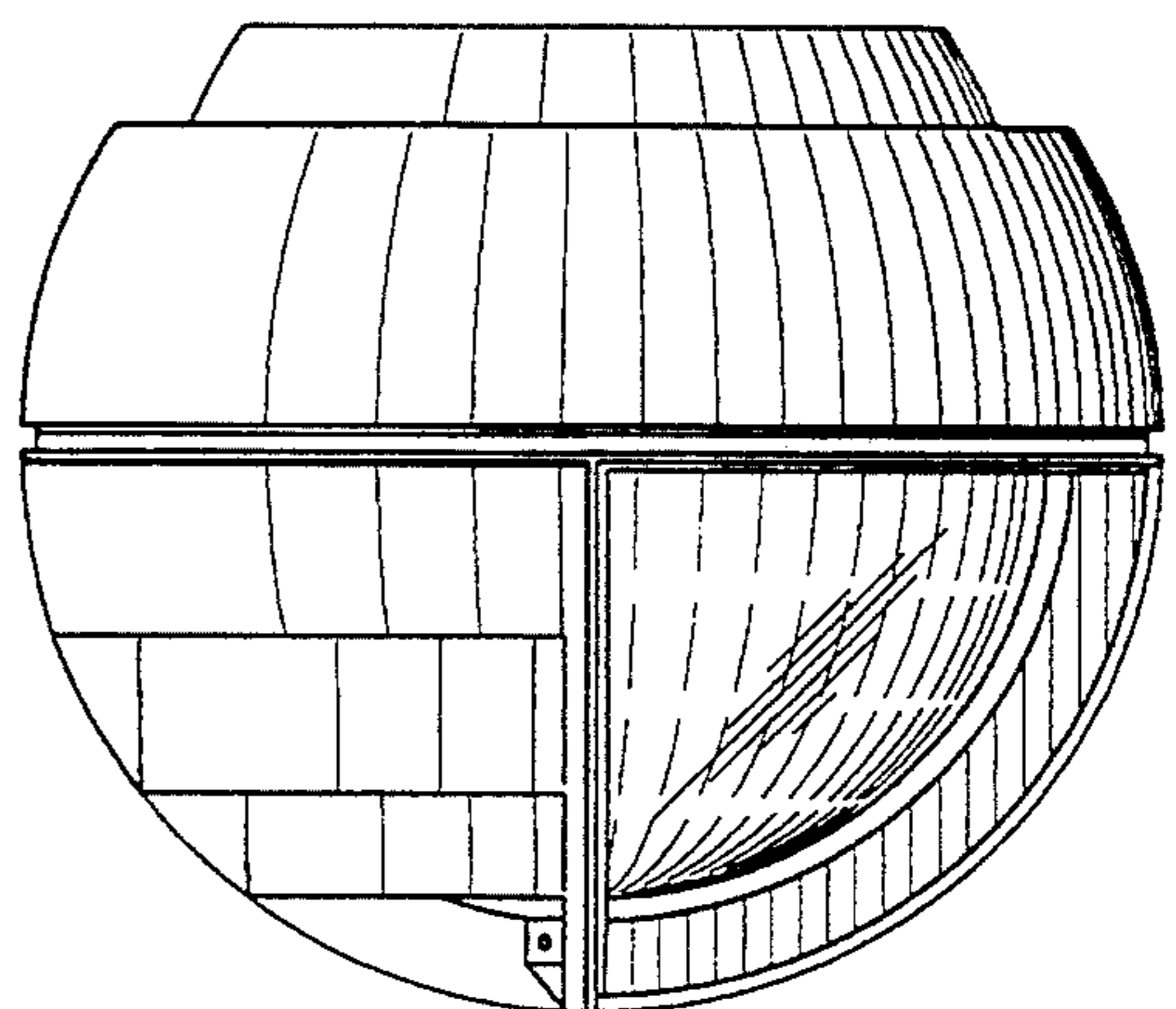


FIG. 31

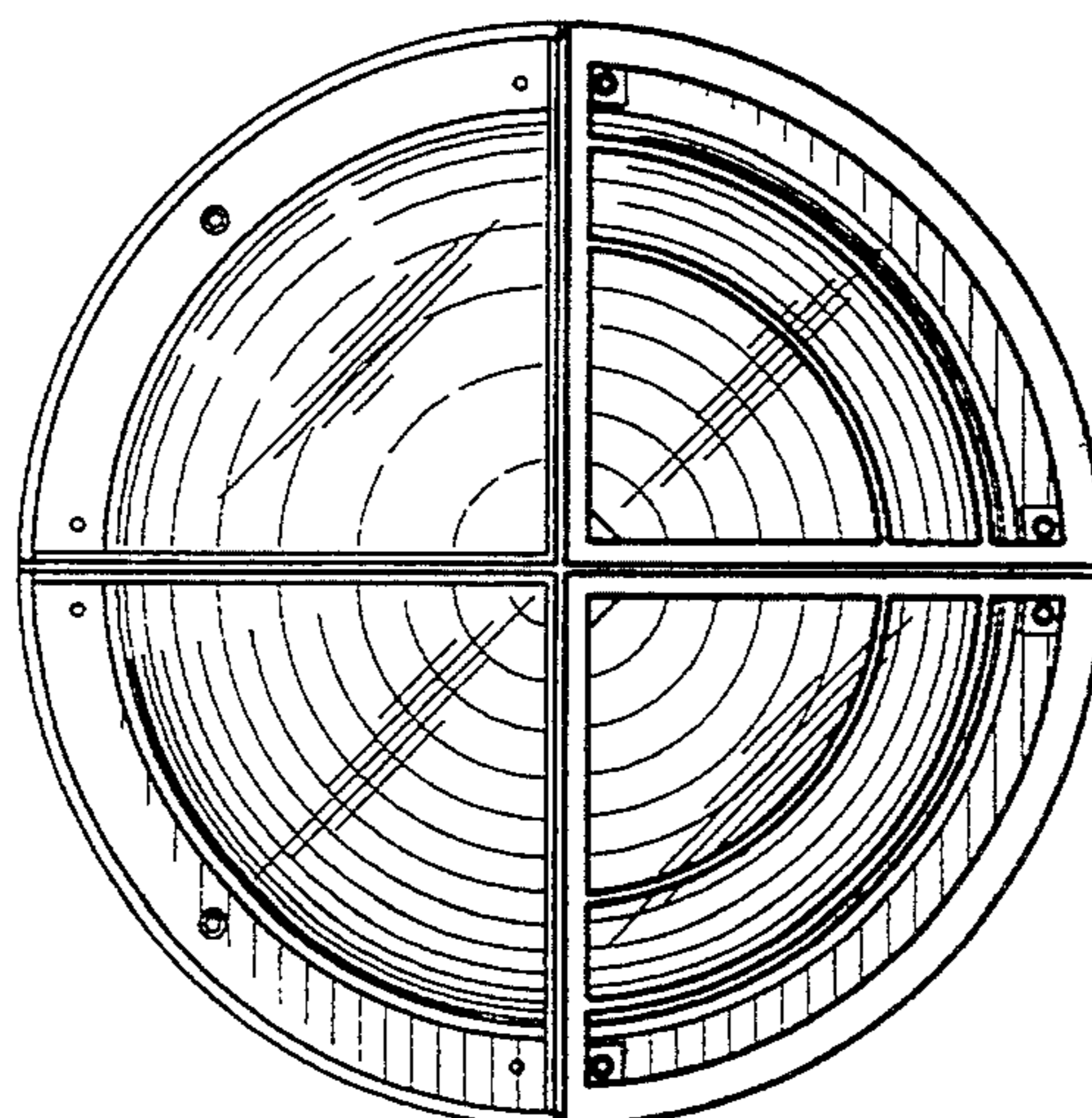


FIG. 32

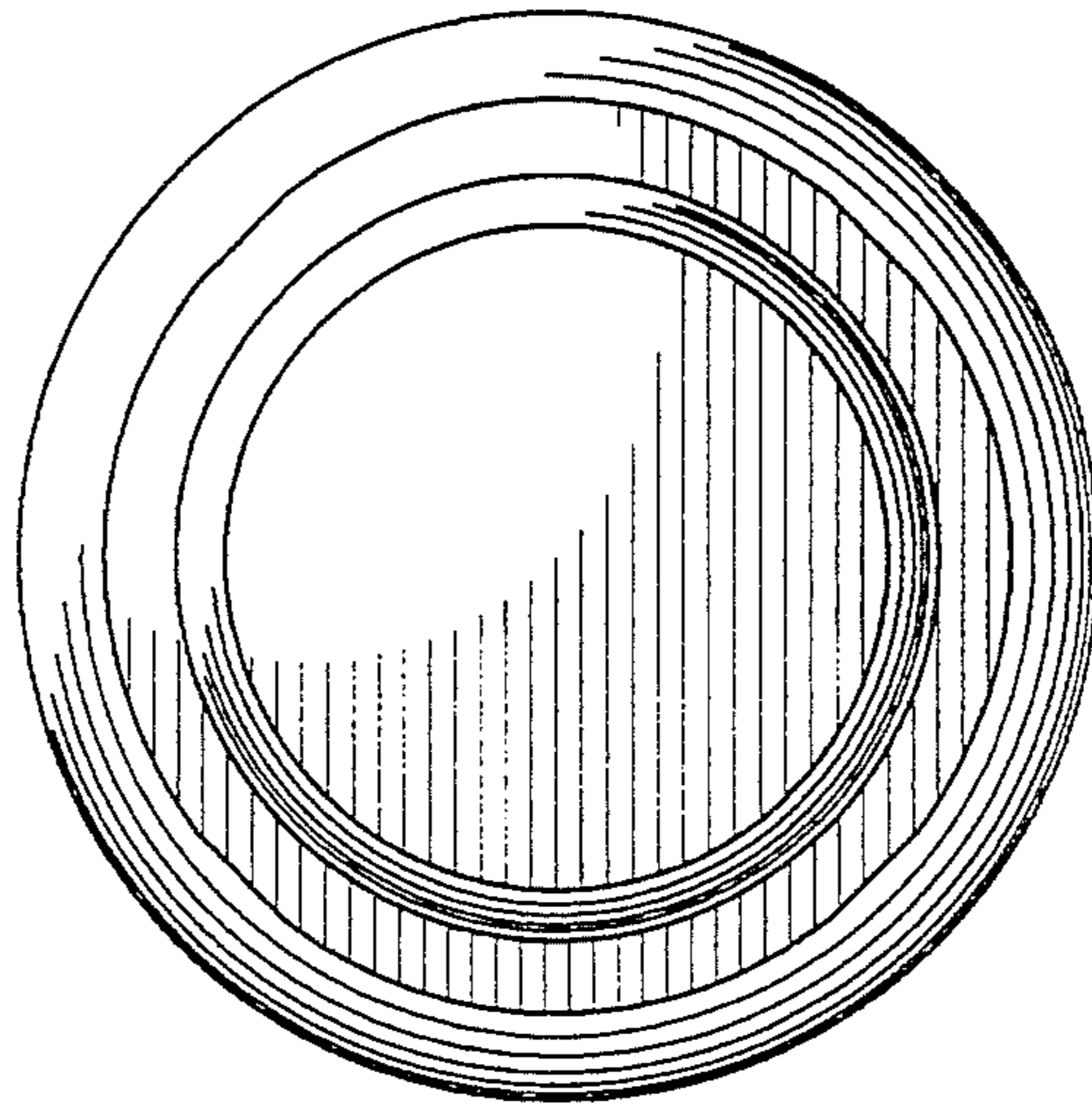


FIG. 33

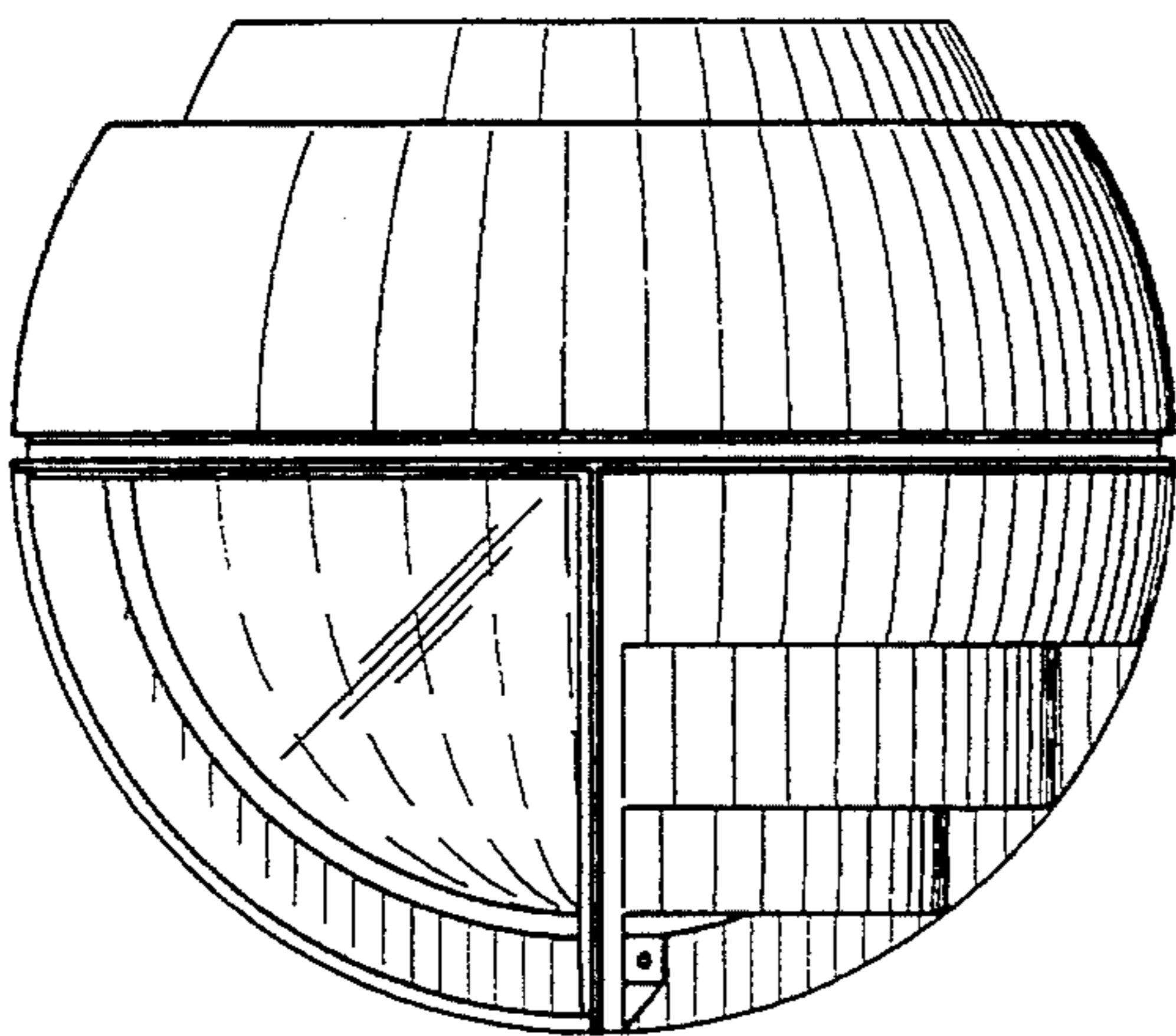


FIG. 34

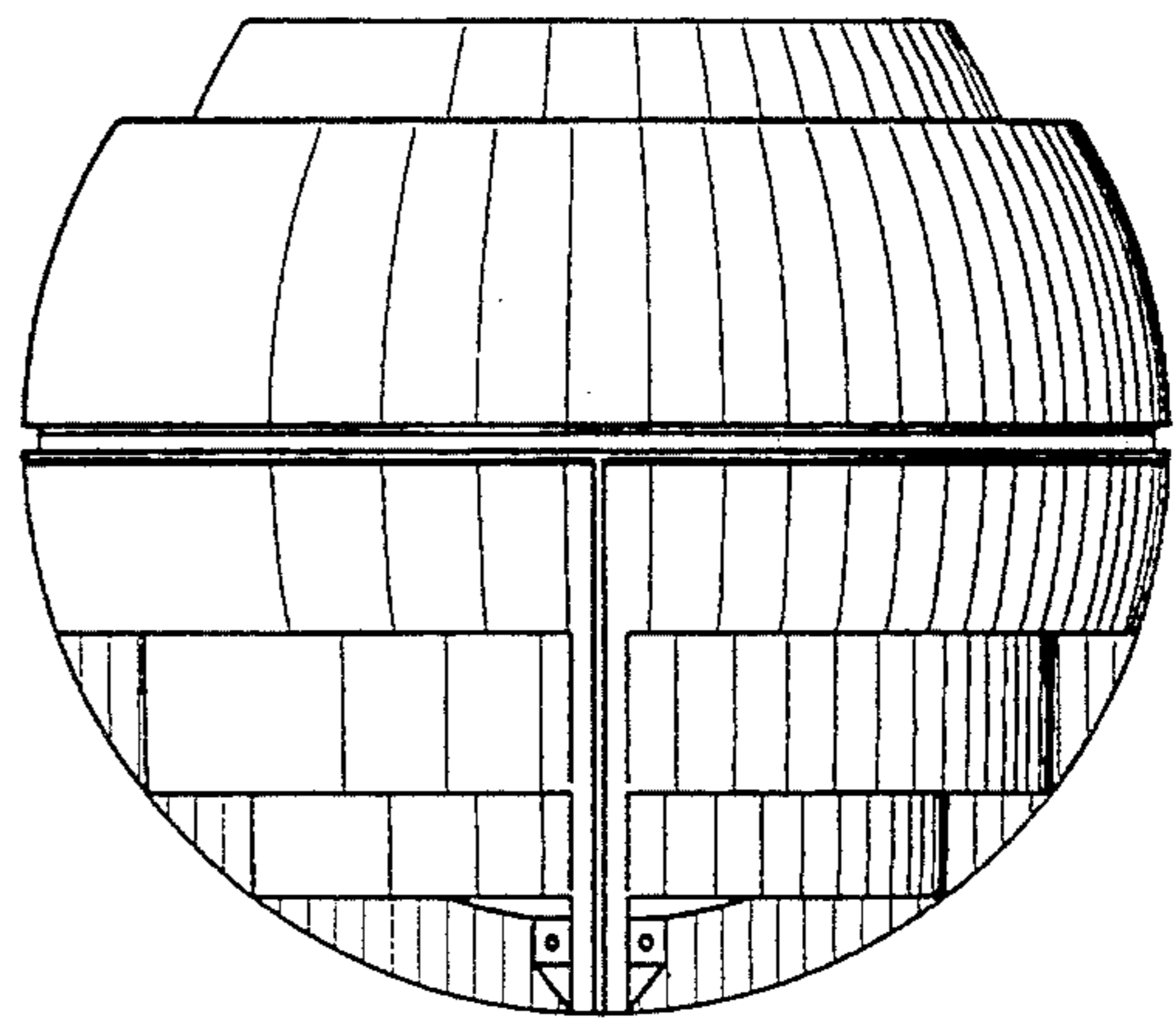


FIG. 35

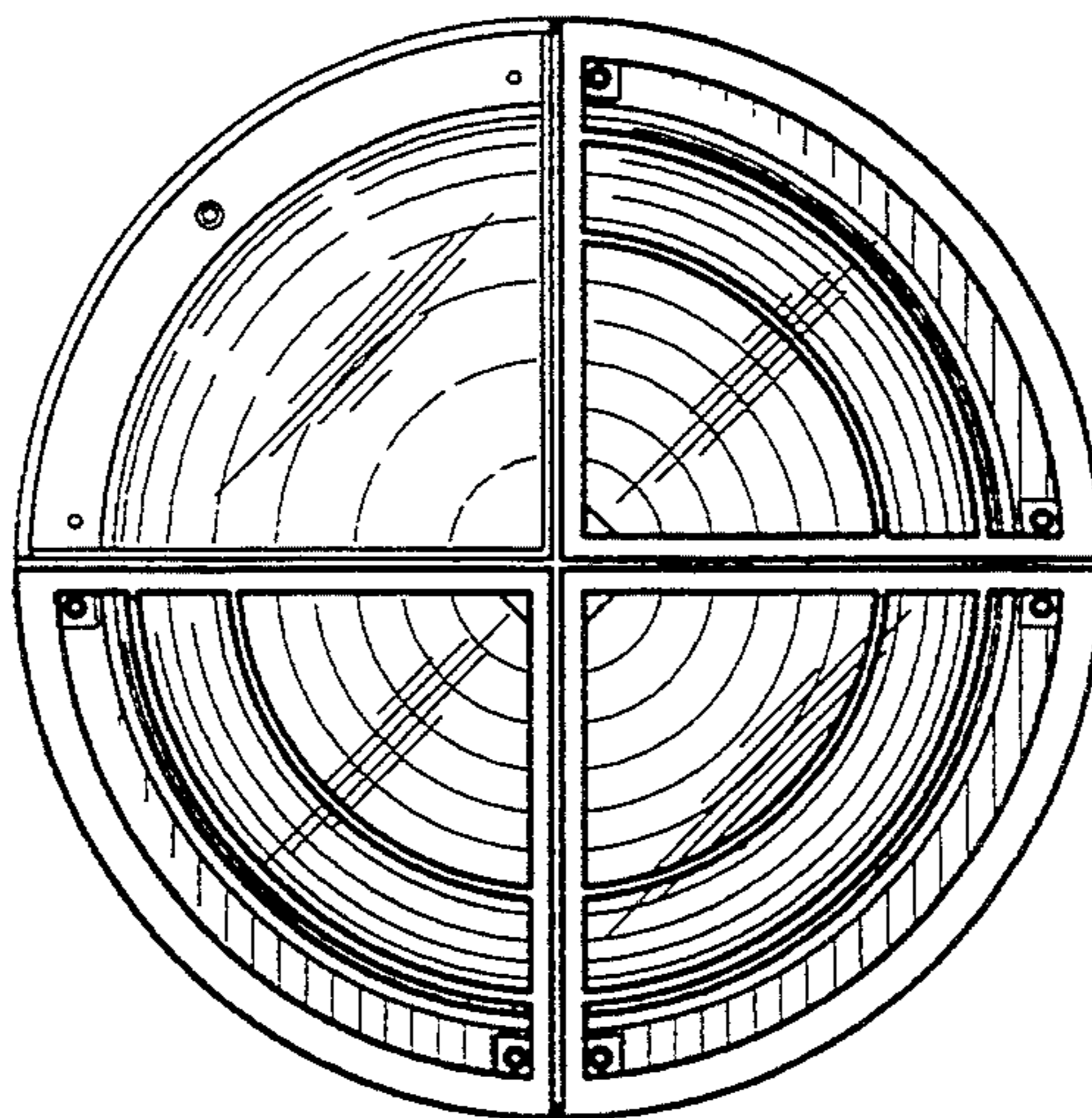


FIG. 36

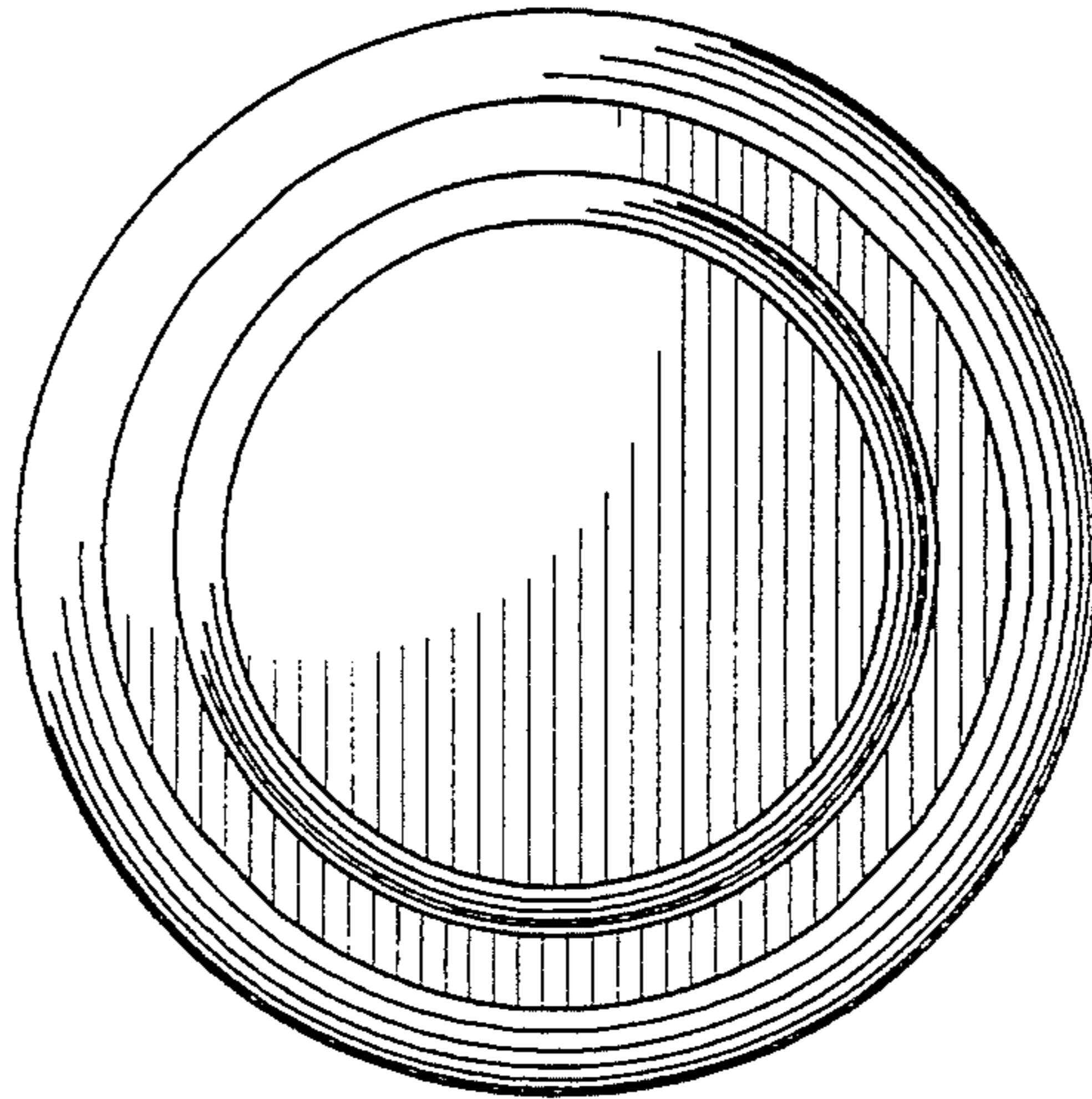


FIG. 37

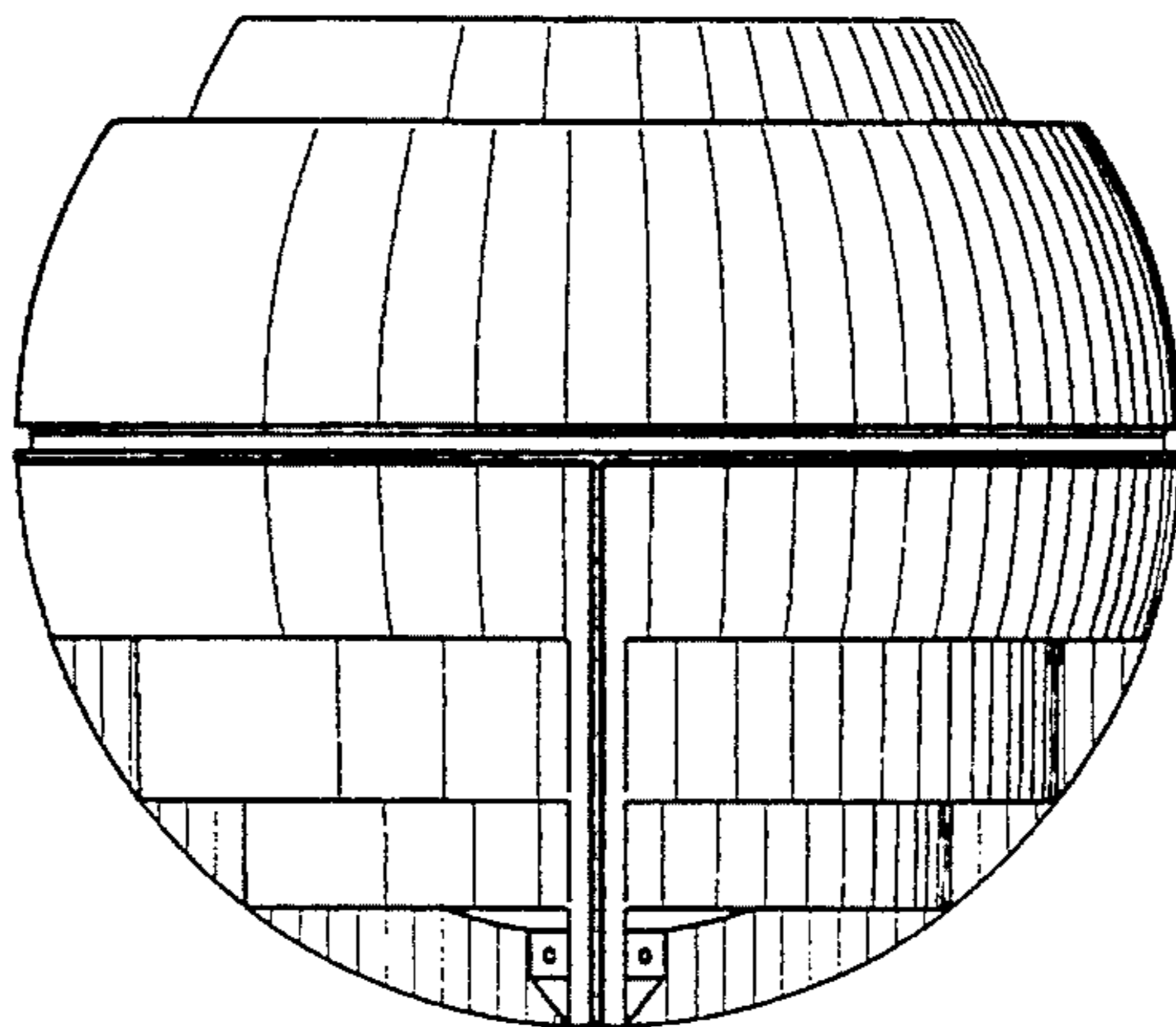


FIG. 38

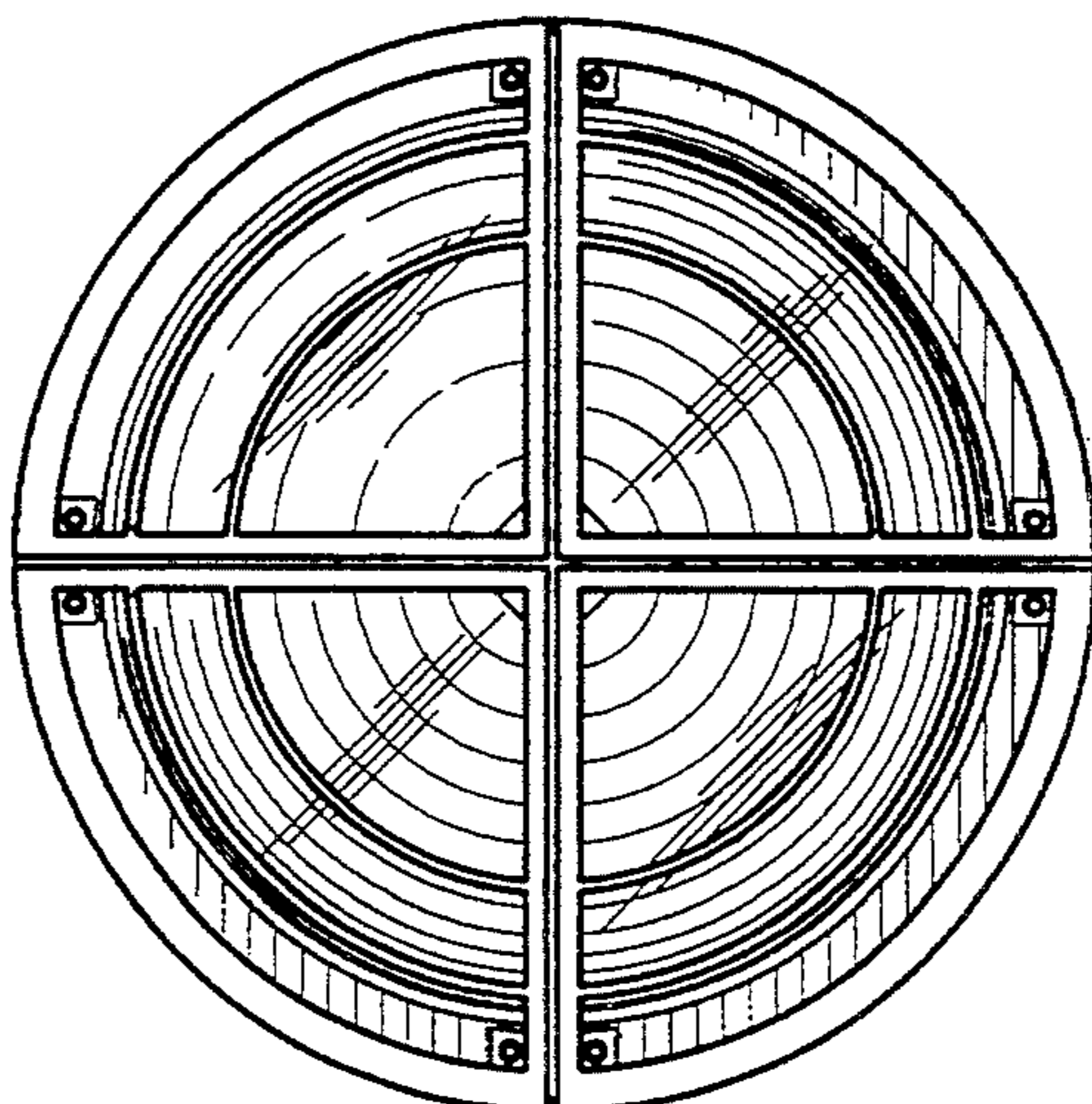


FIG. 39

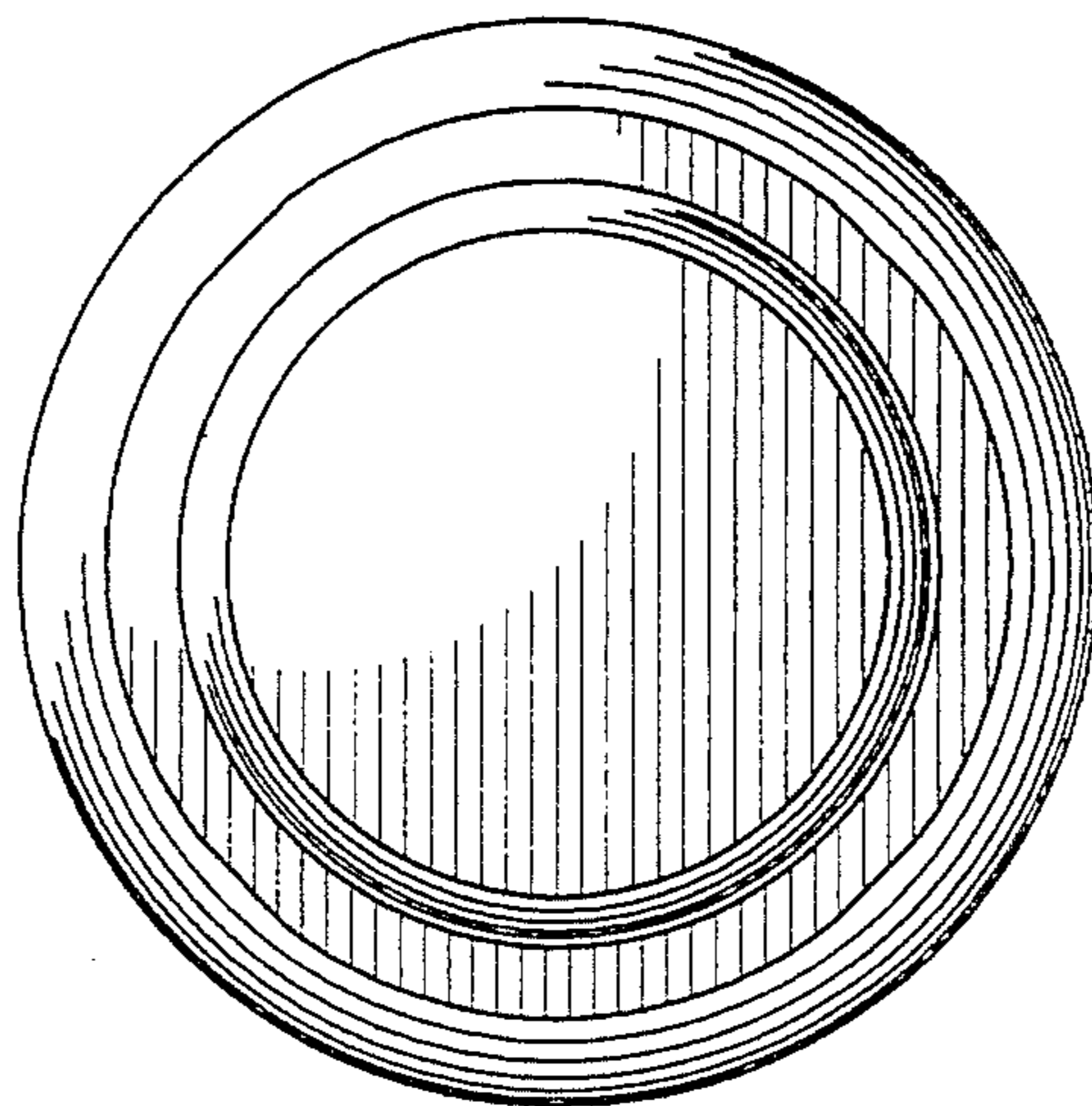


FIG. 40

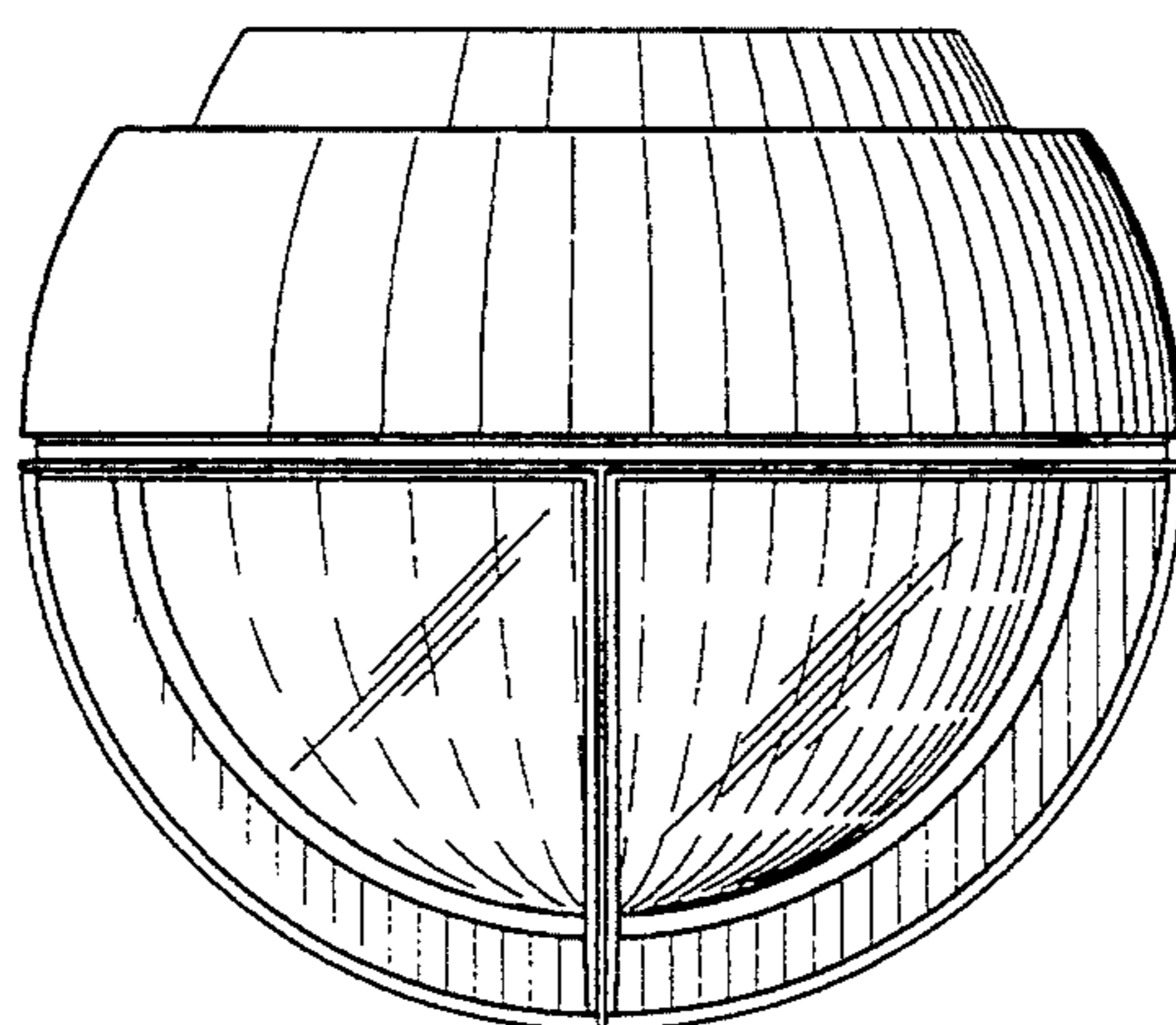


FIG. 41

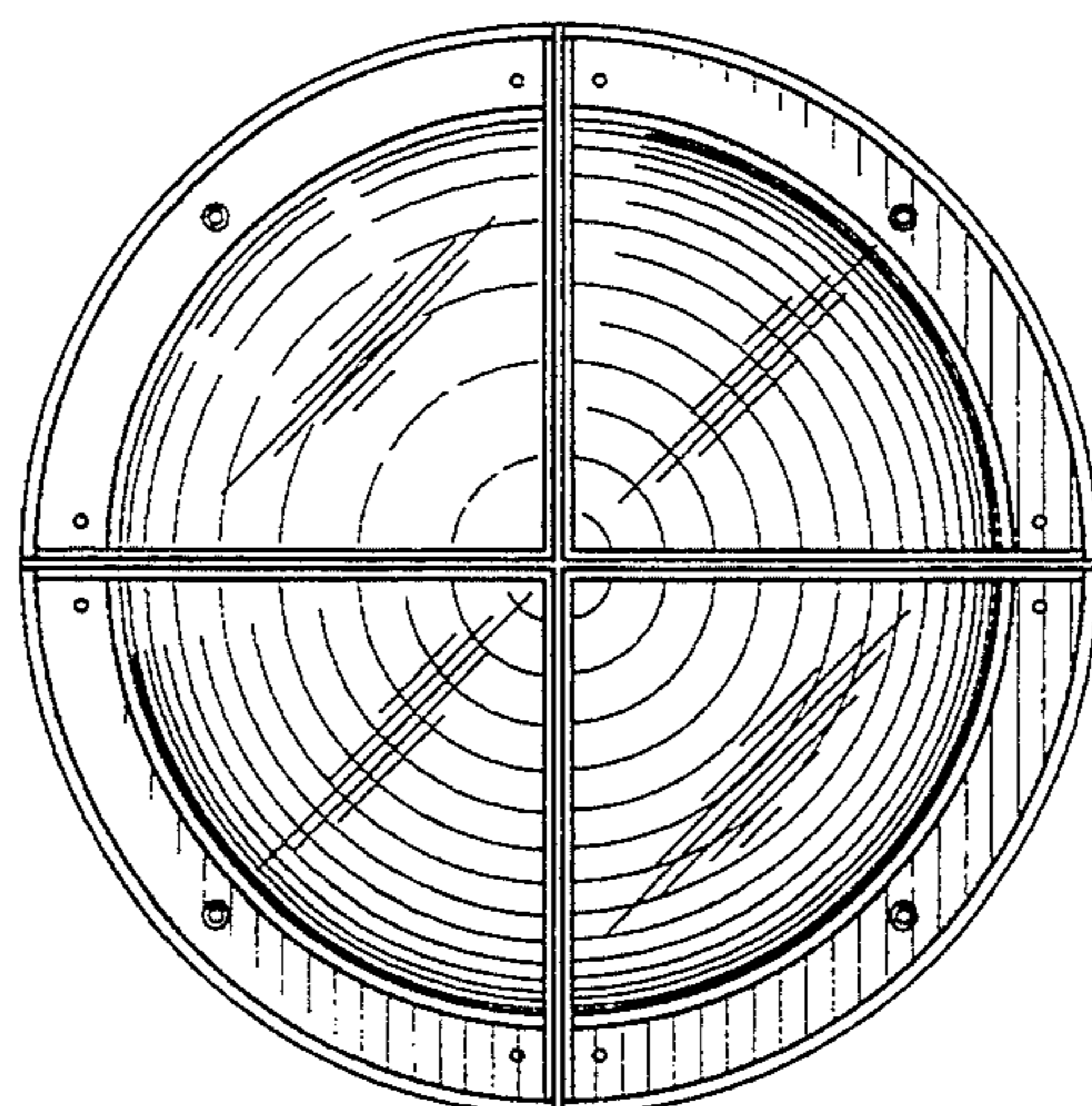


FIG. 42

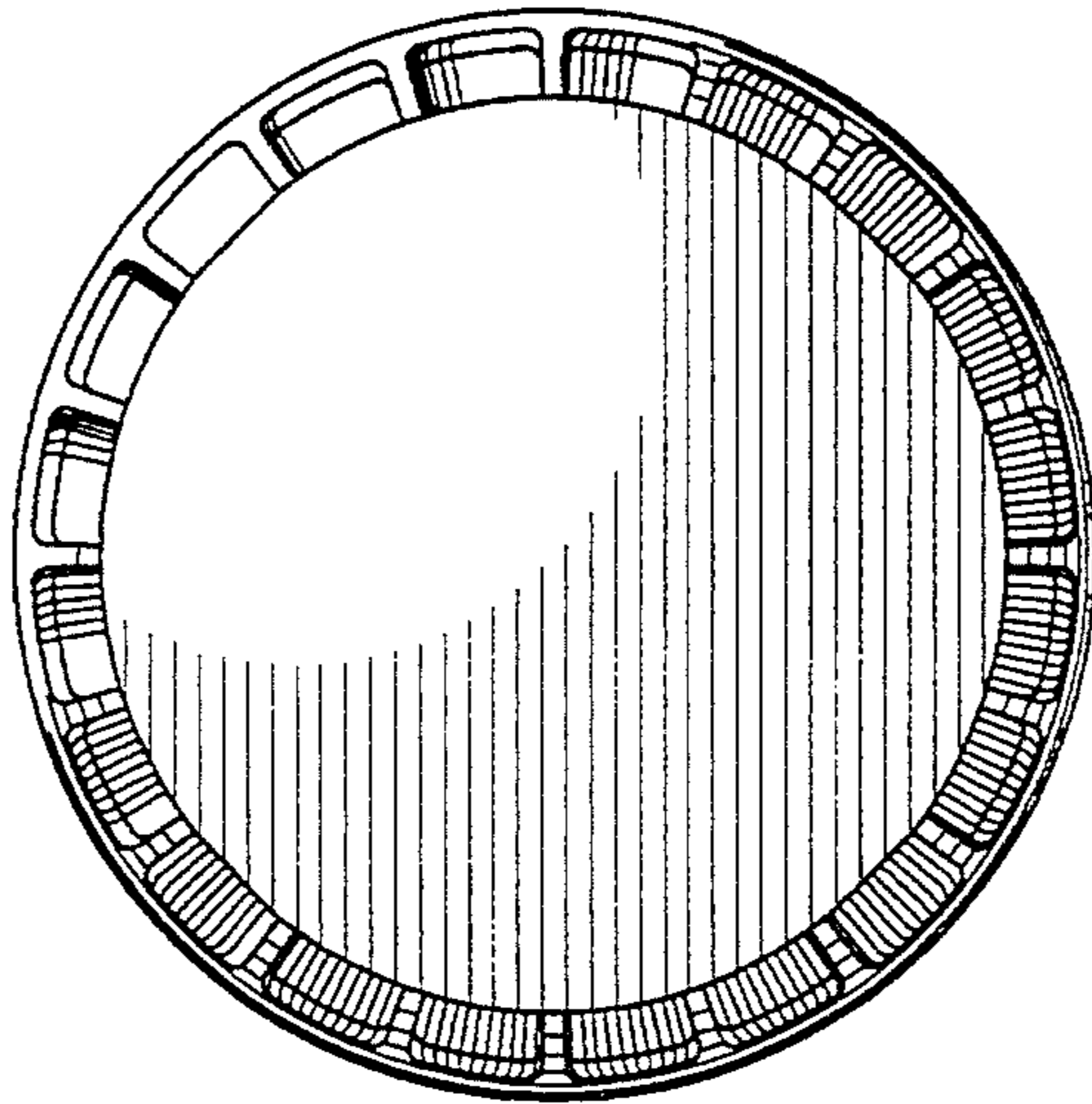


FIG. 43

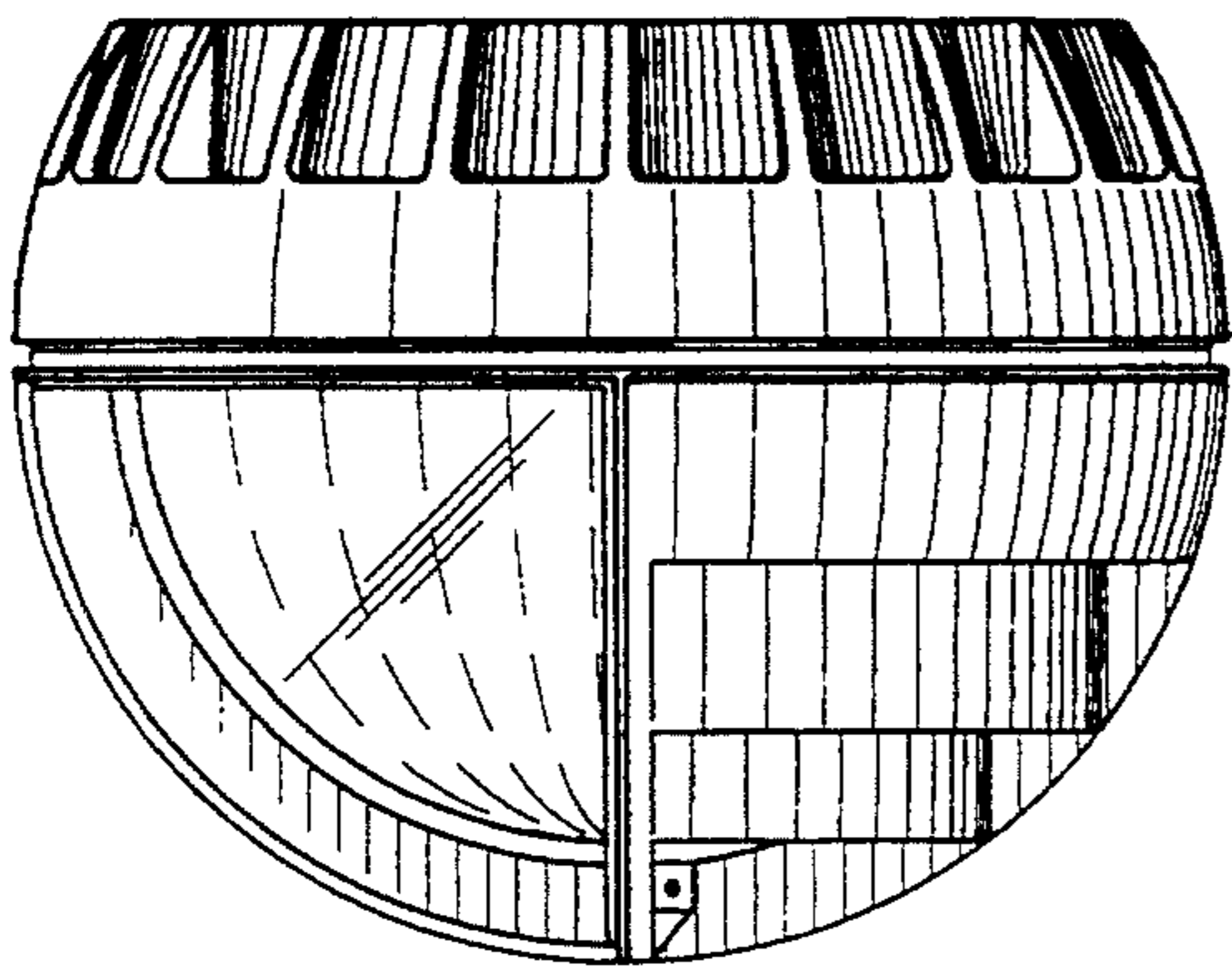


FIG. 44

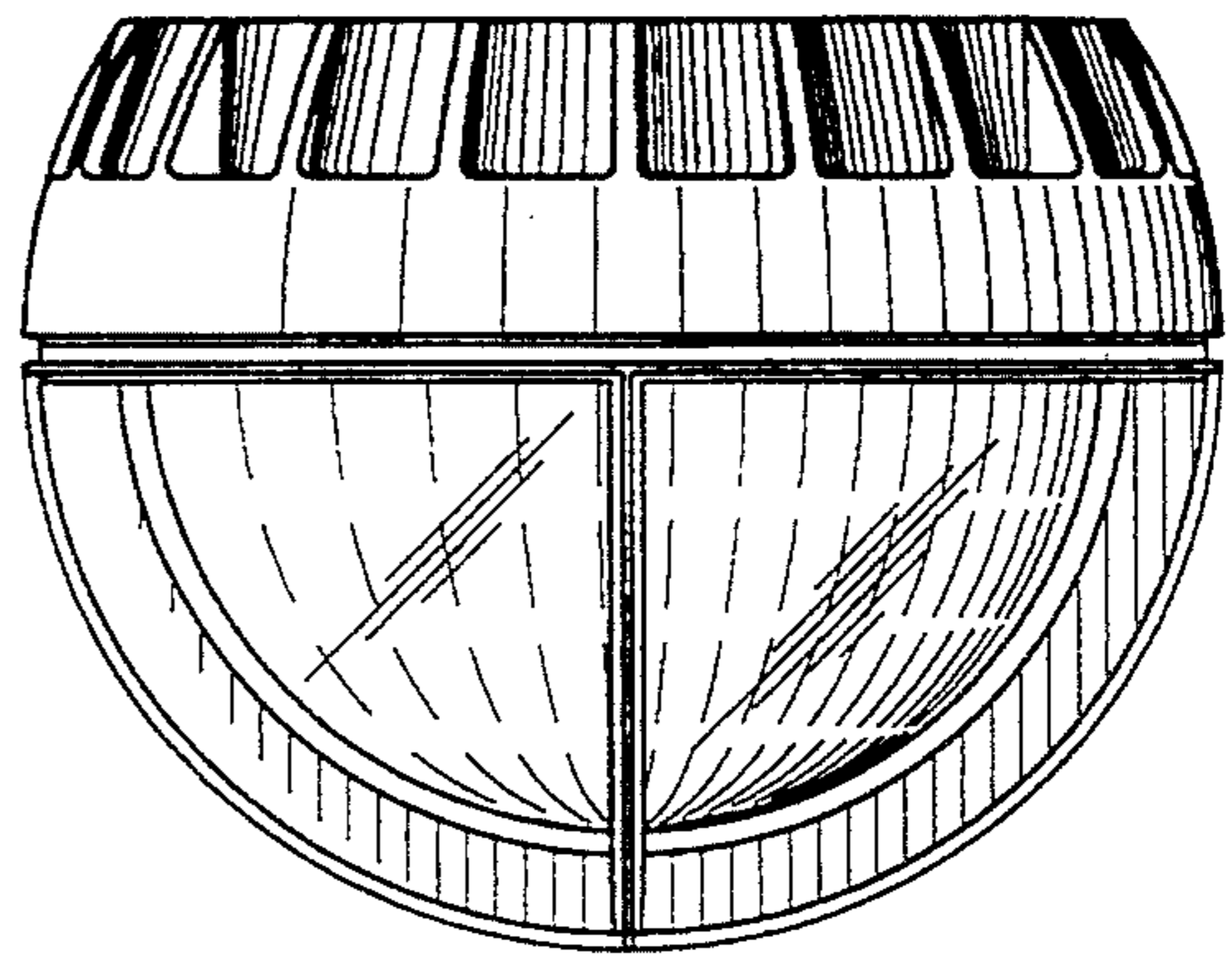


FIG. 45

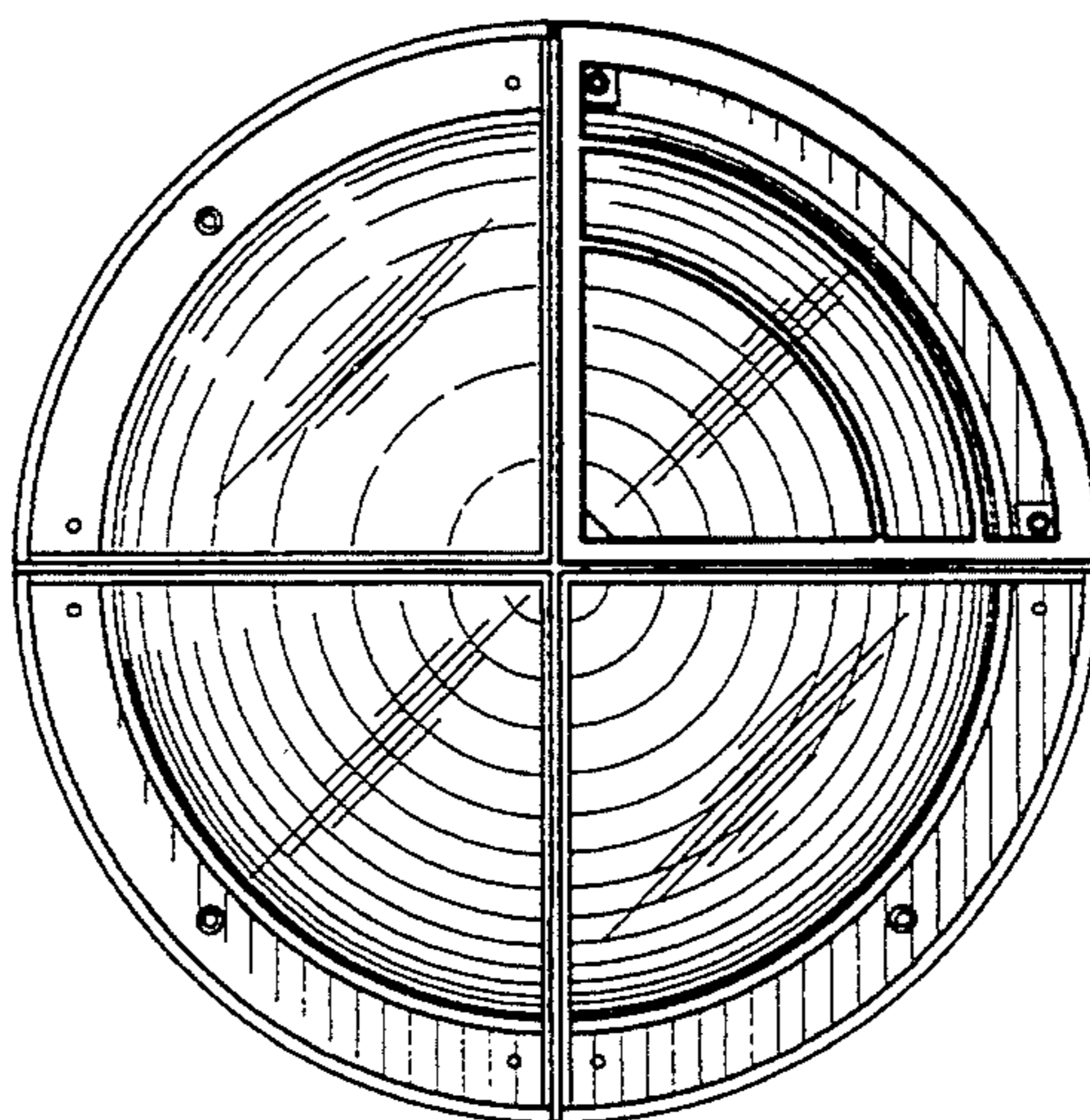


FIG. 46

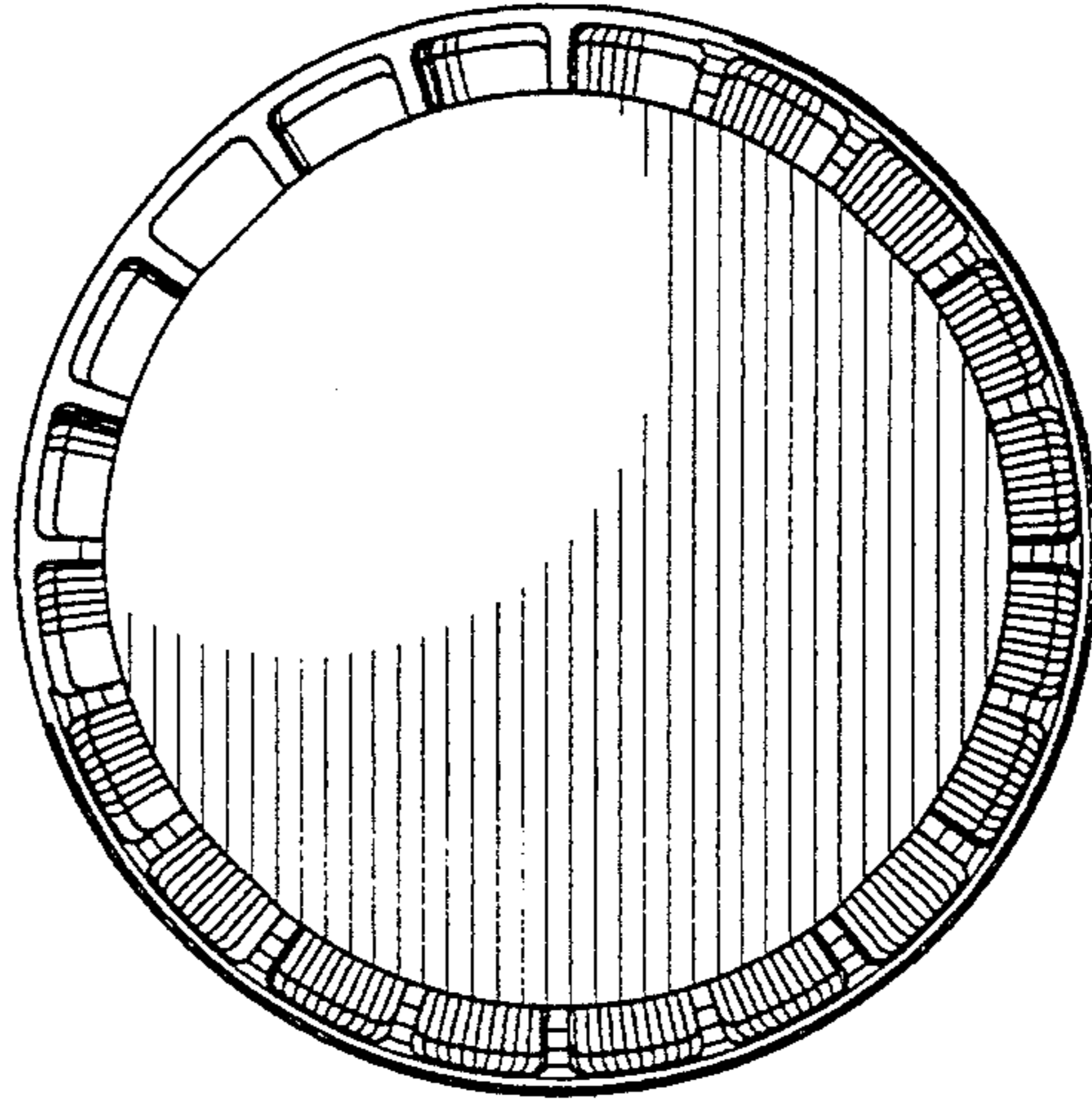


FIG. 47

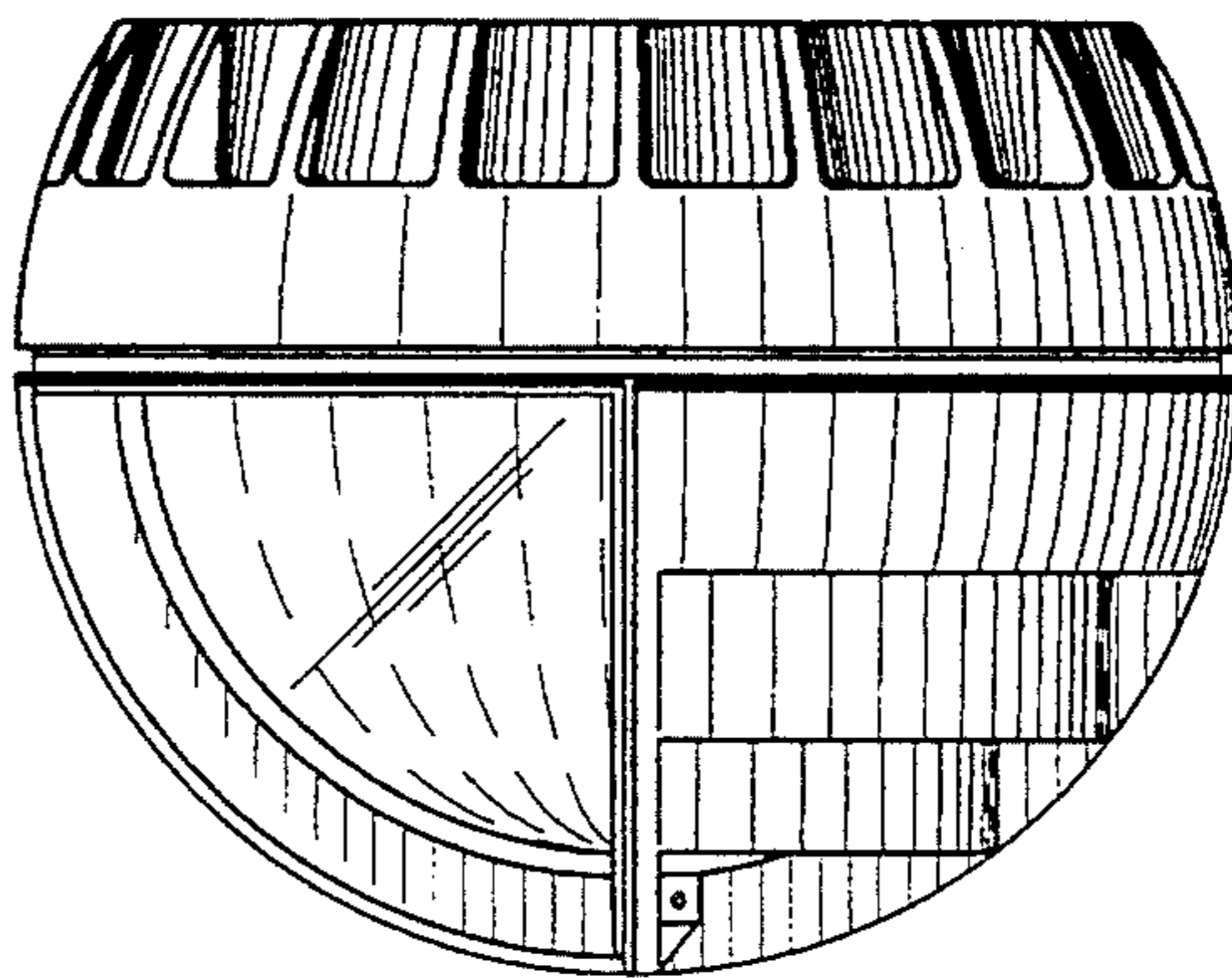


FIG. 48

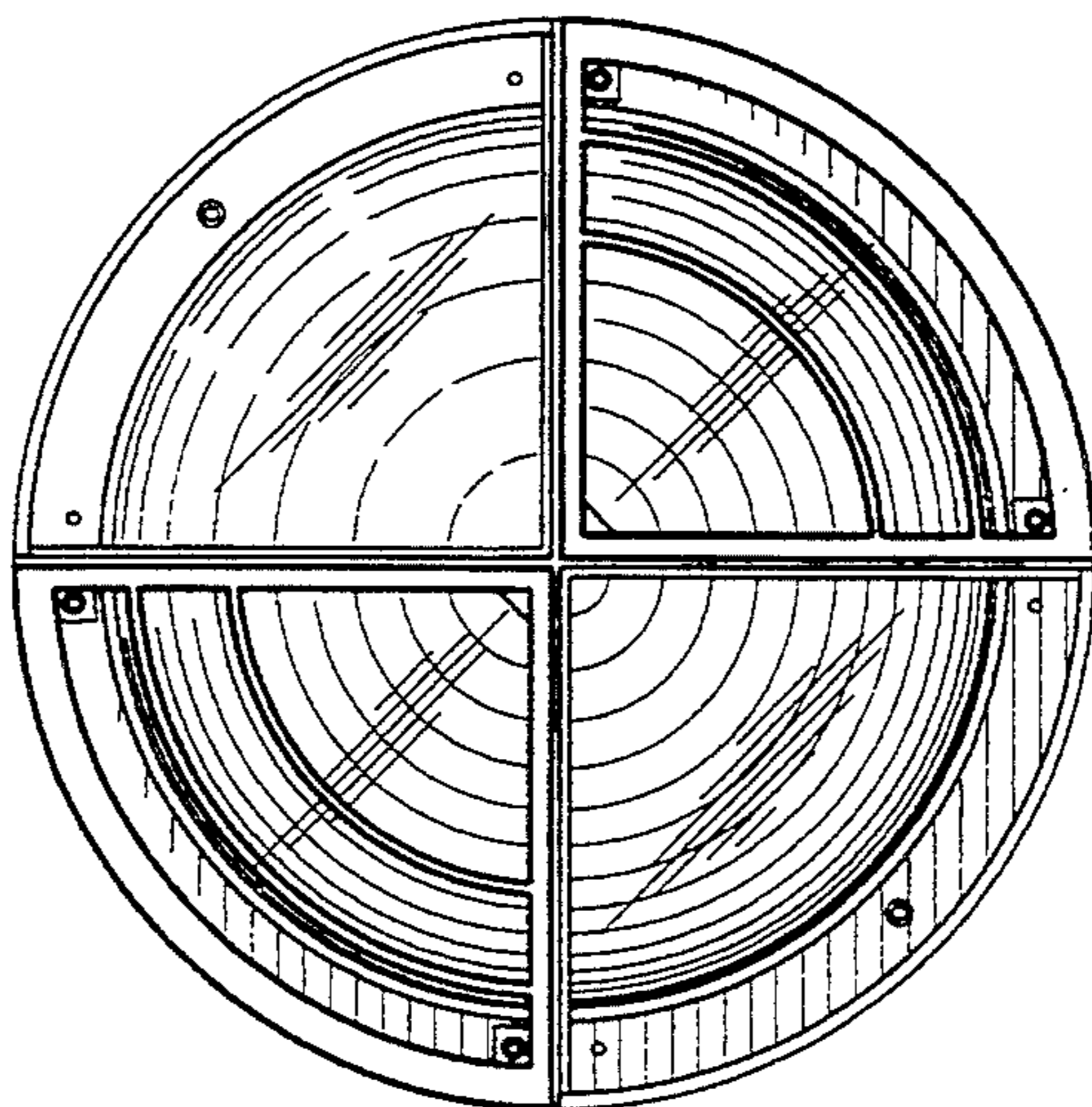


FIG. 49

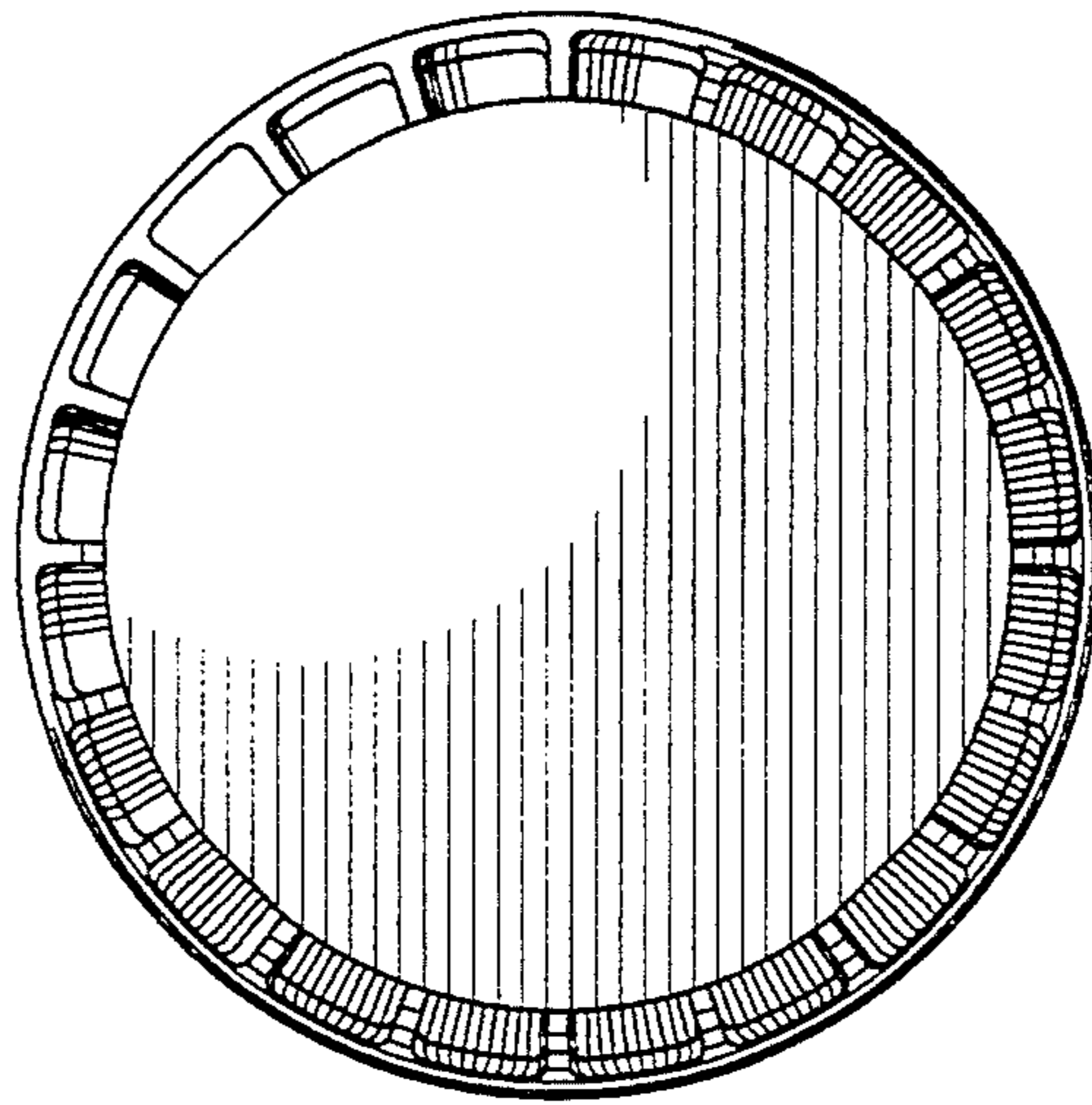


FIG. 50

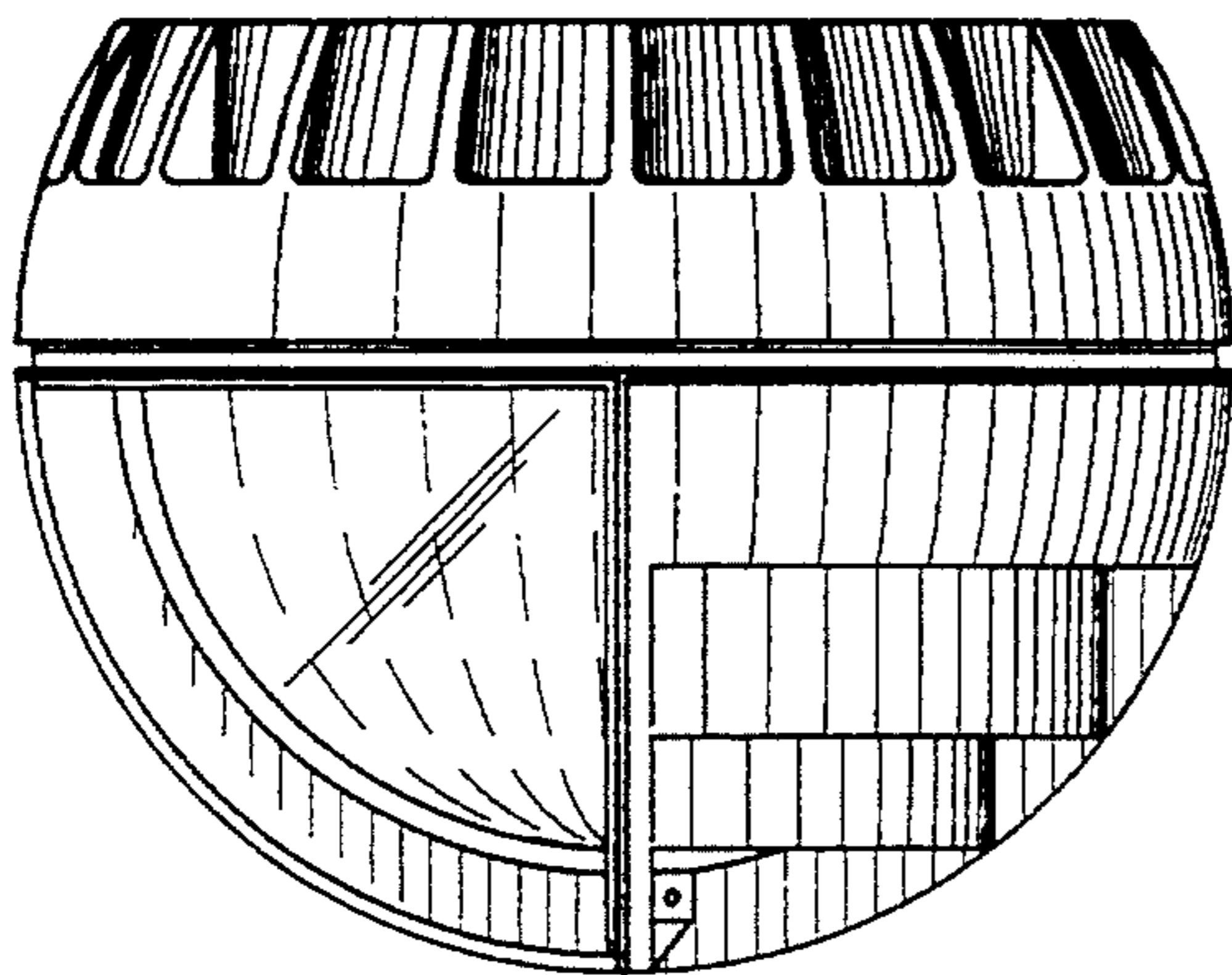


FIG. 51

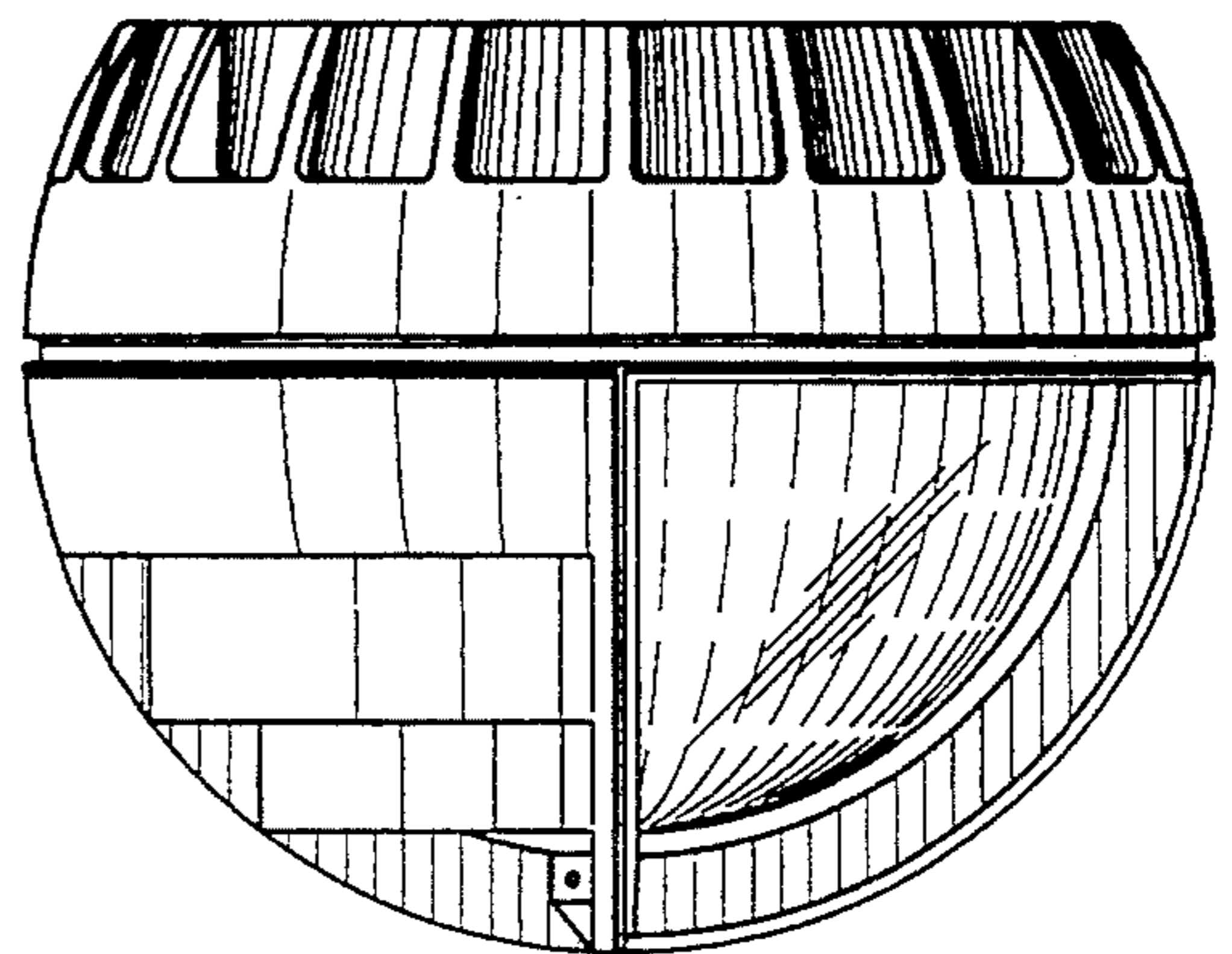


FIG. 52

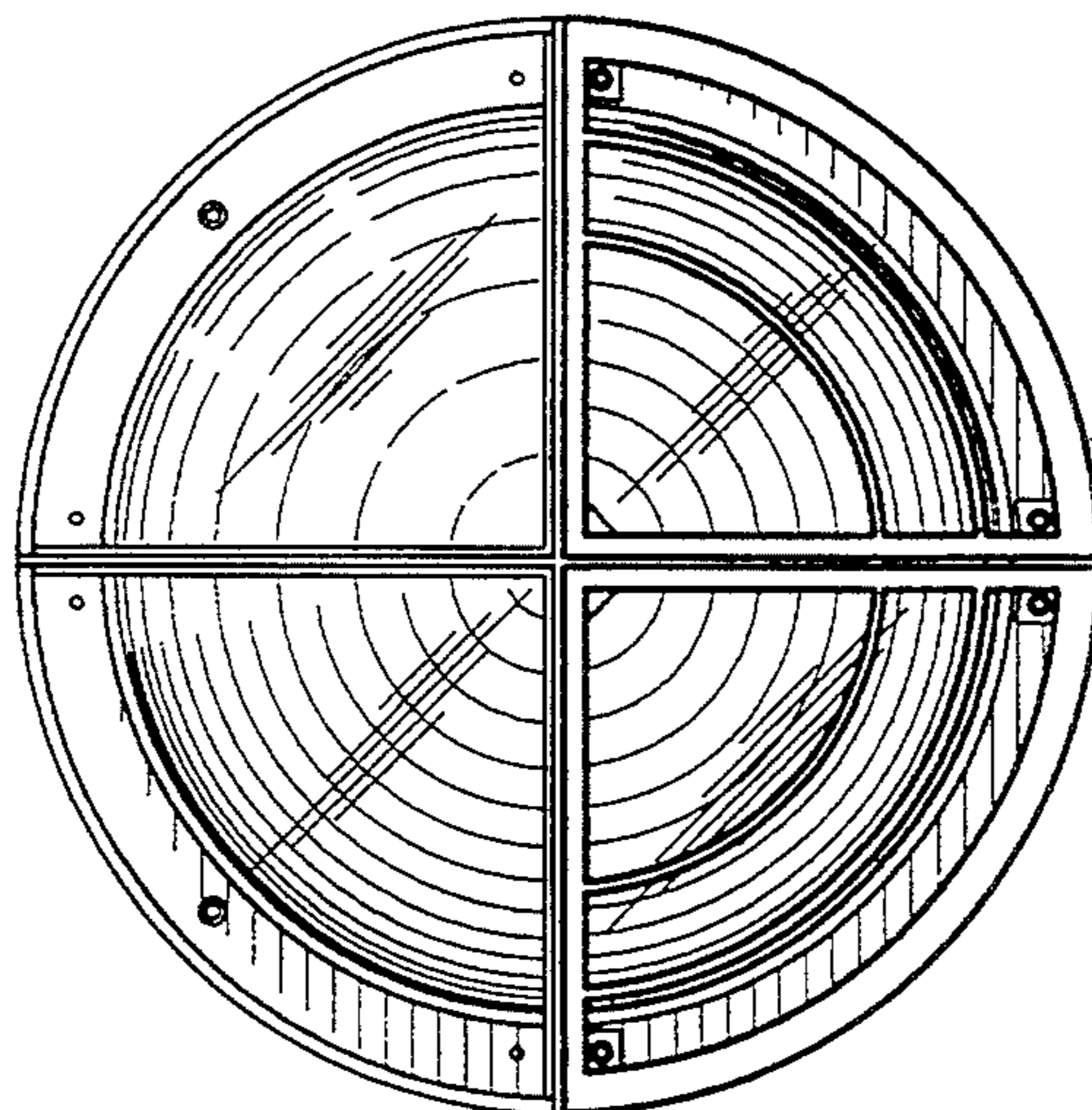


FIG. 53

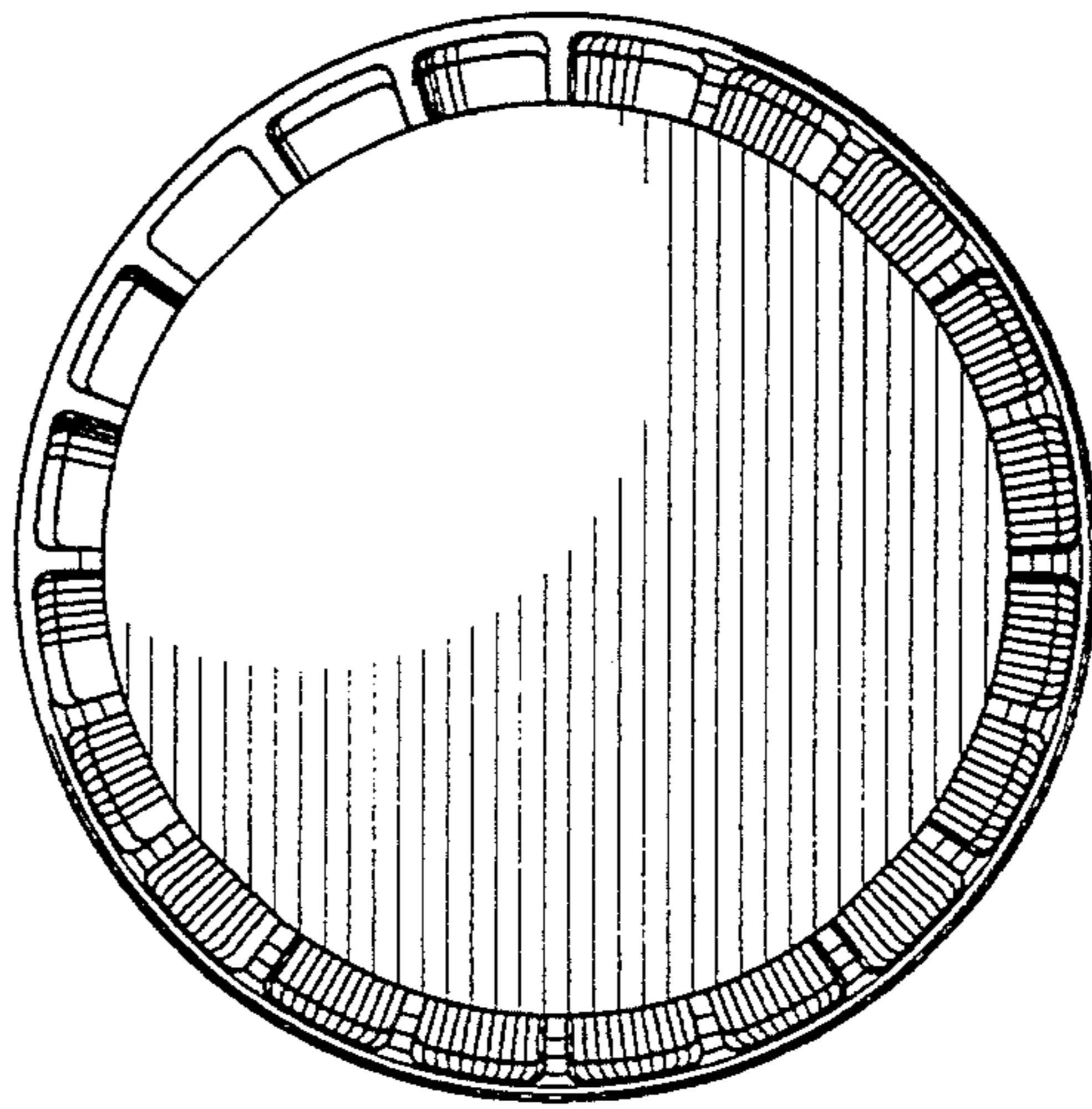


FIG. 54

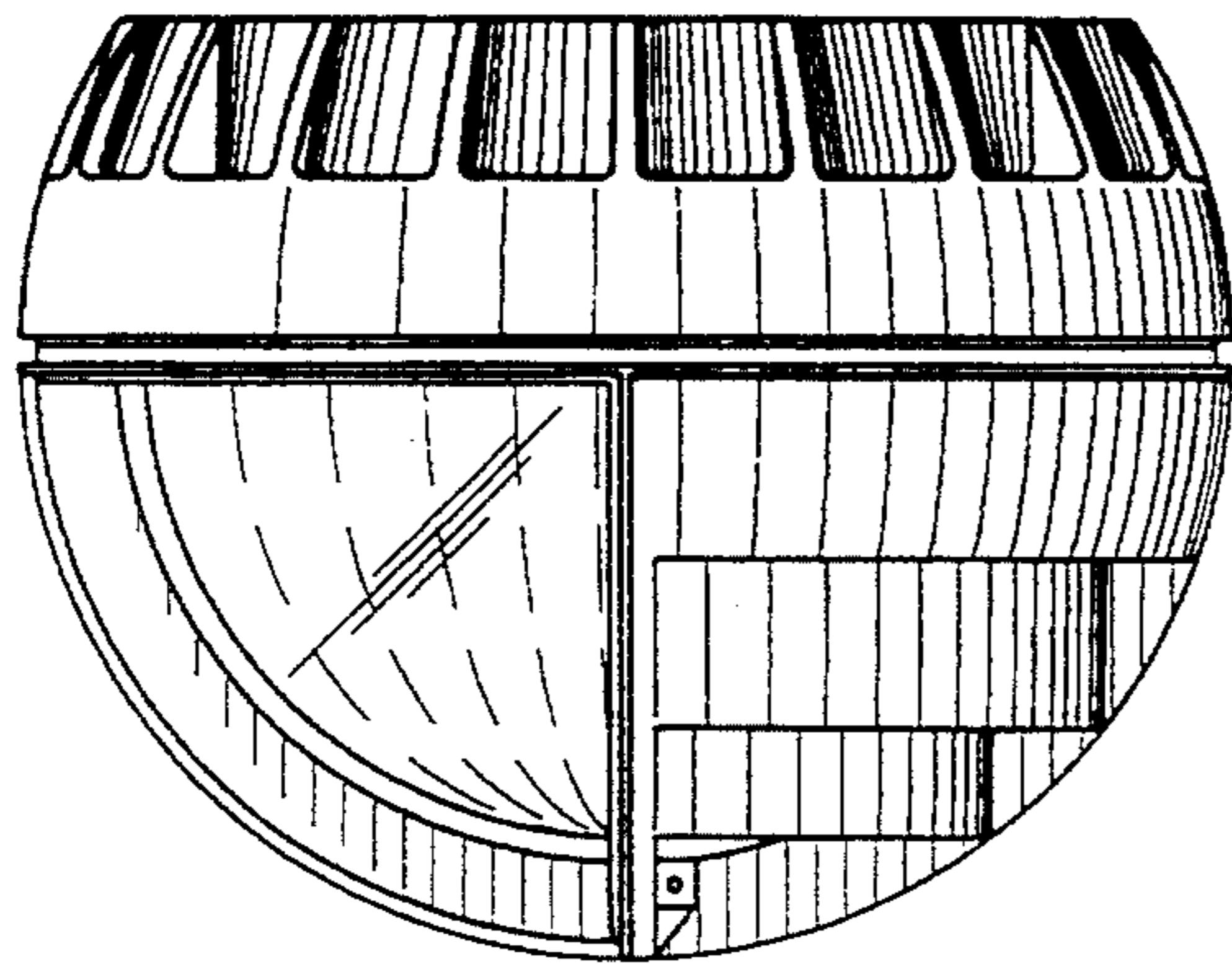


FIG. 55

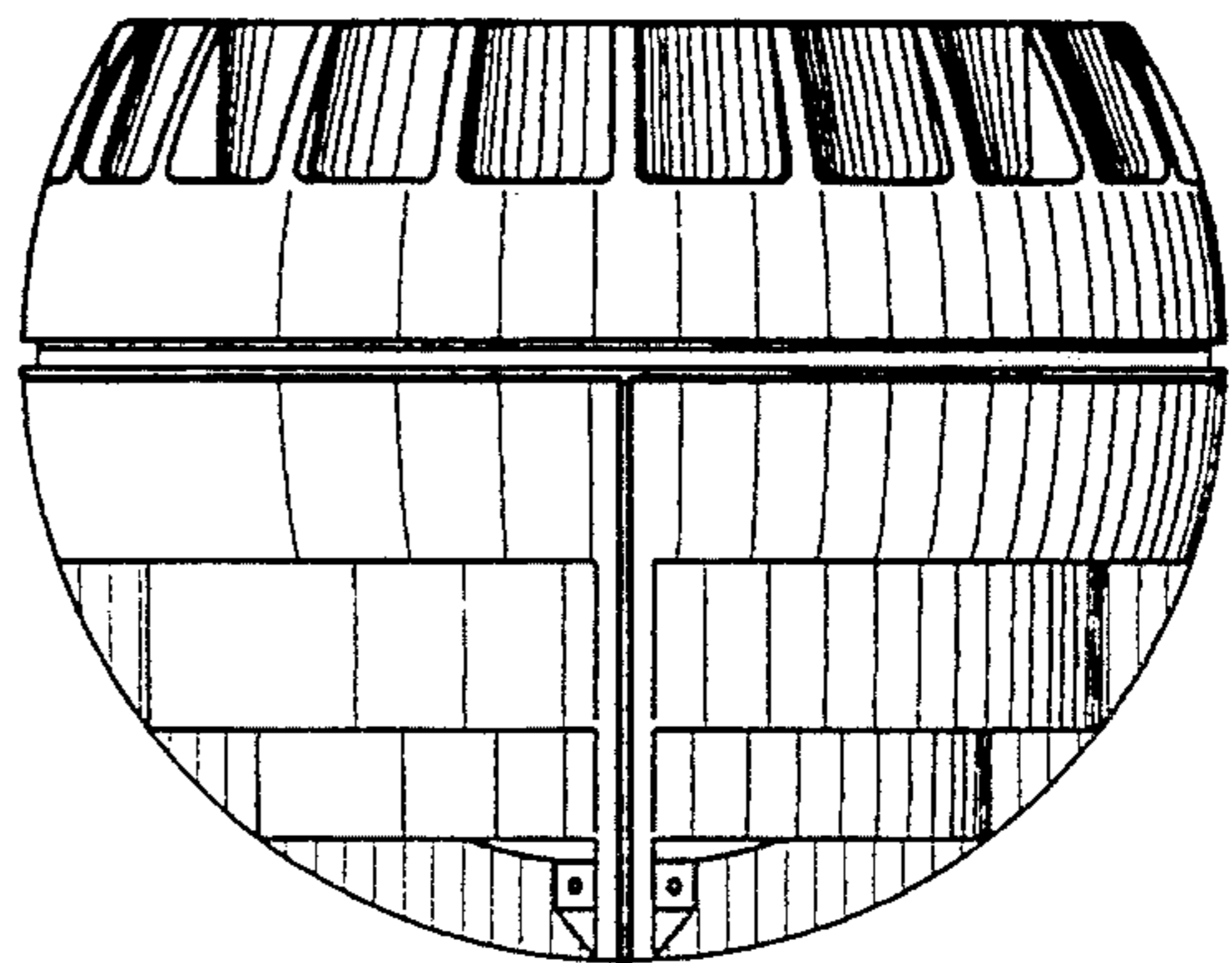


FIG. 56

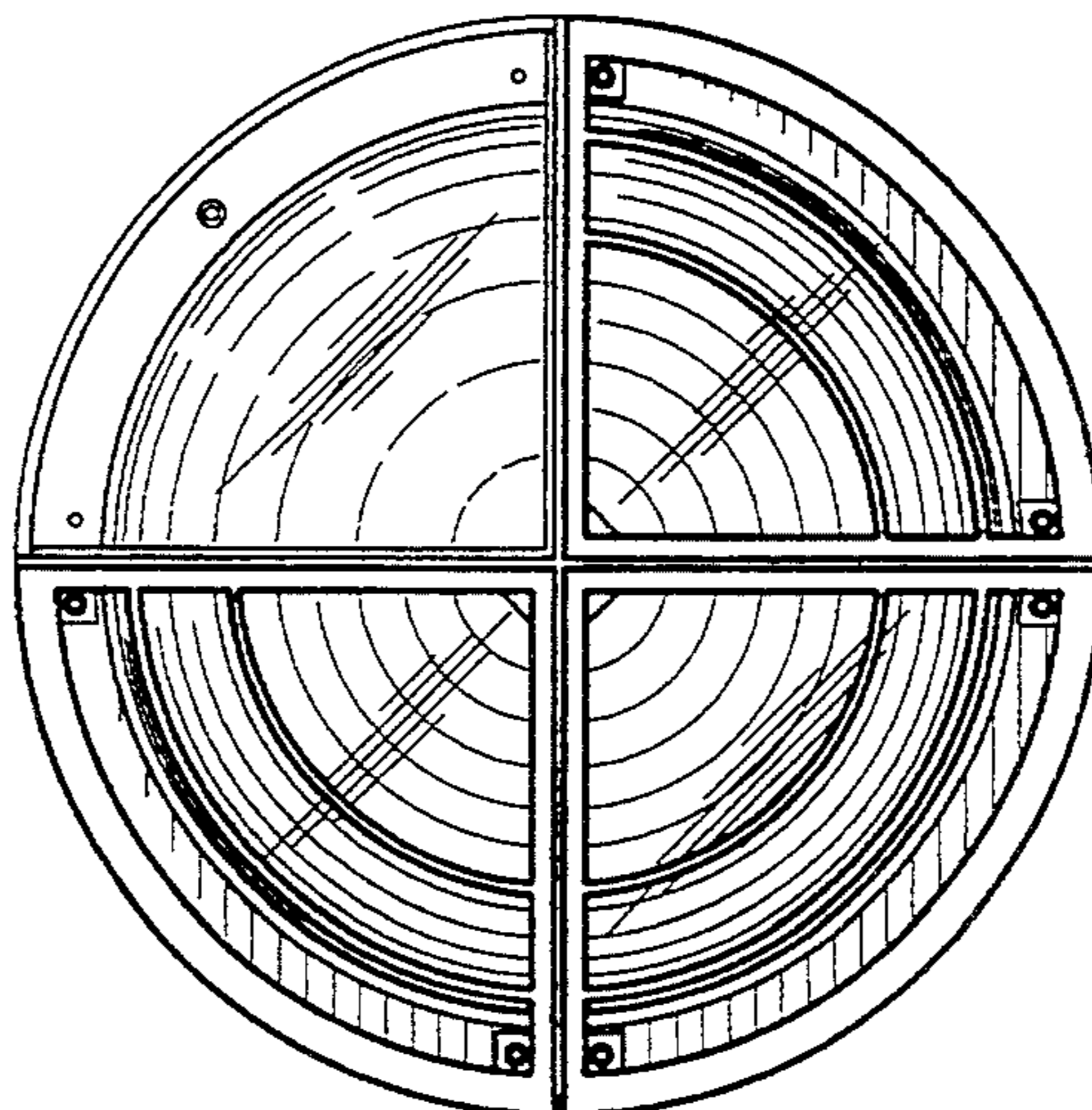


FIG. 57

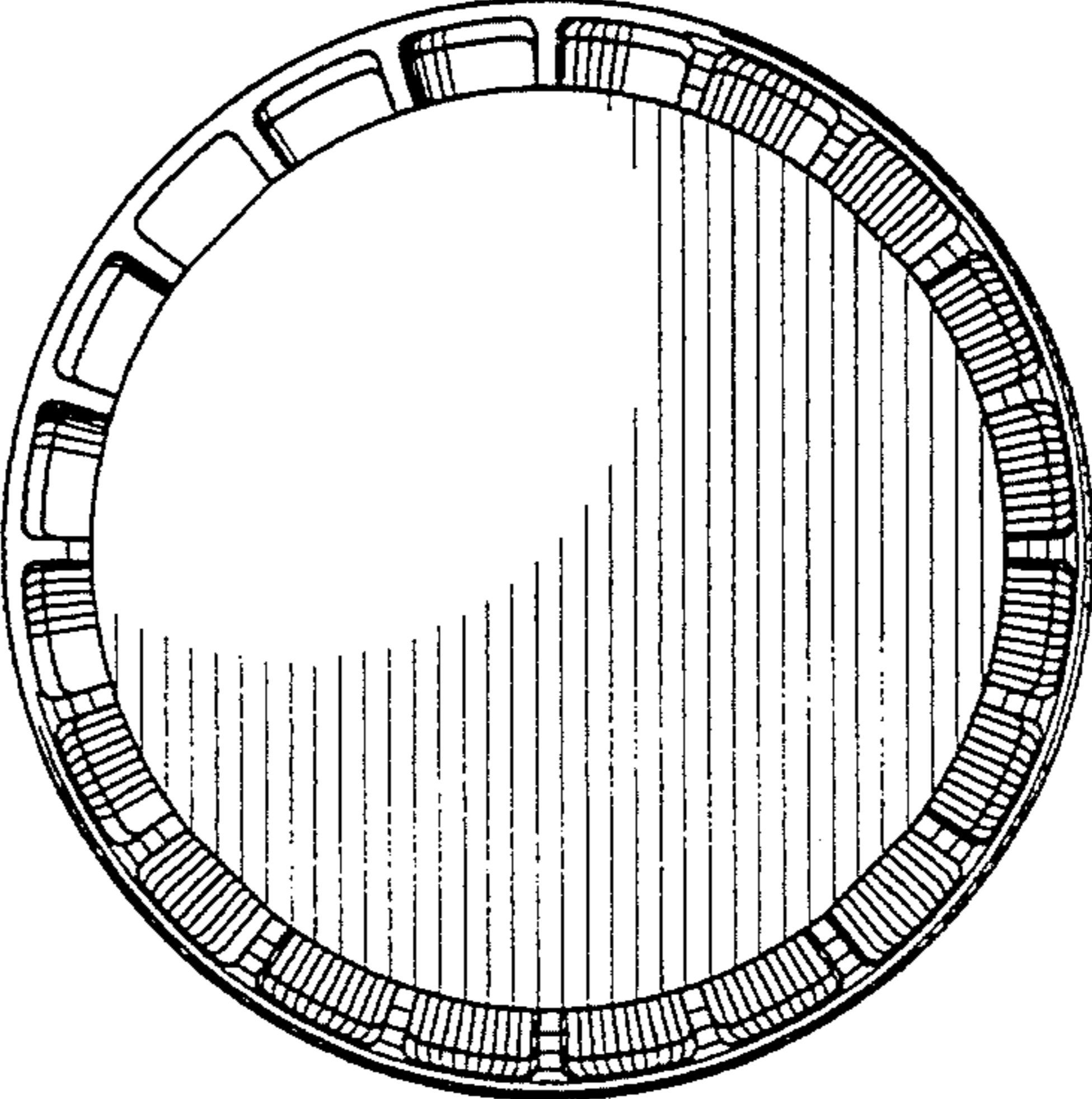


FIG. 58

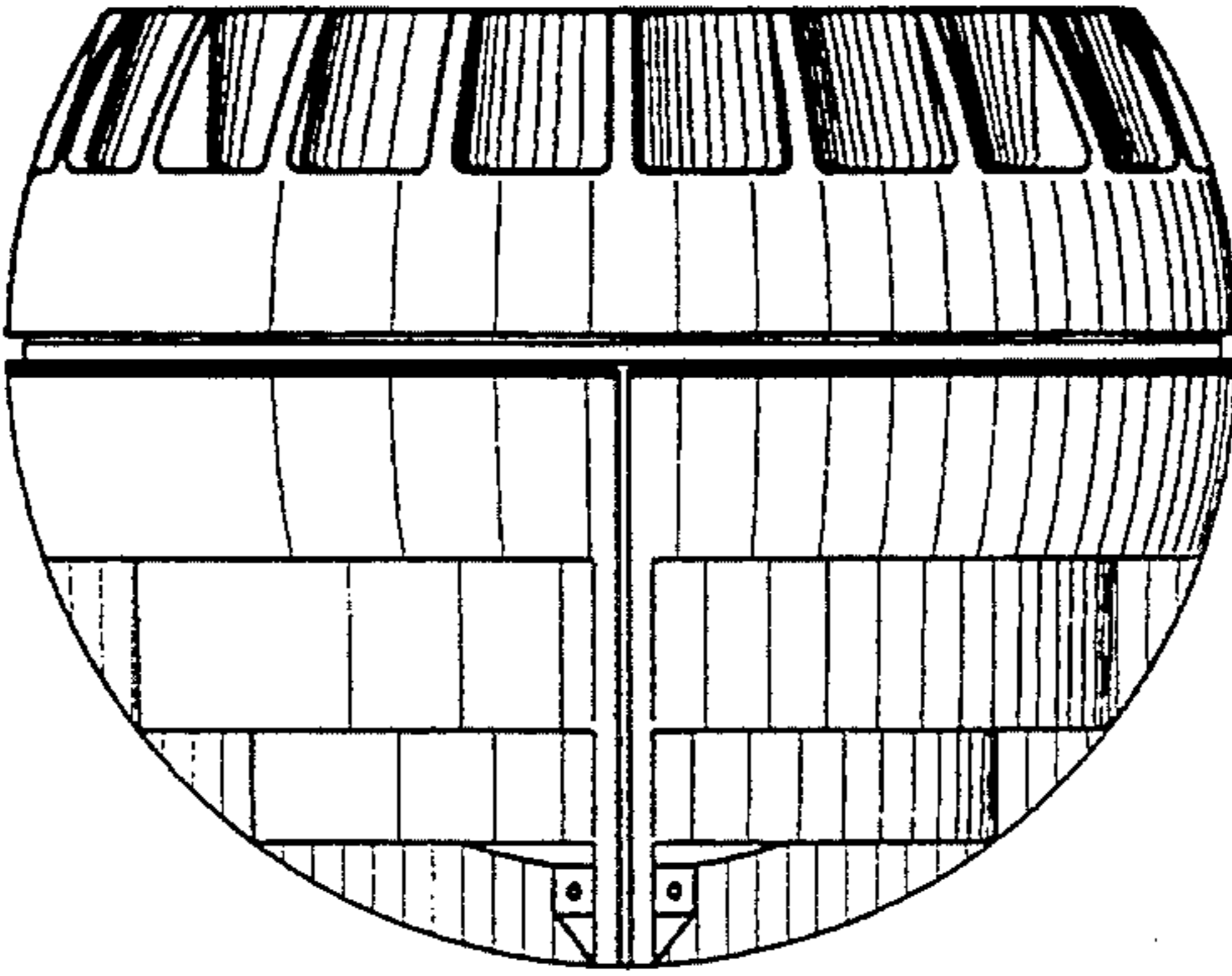


FIG. 59

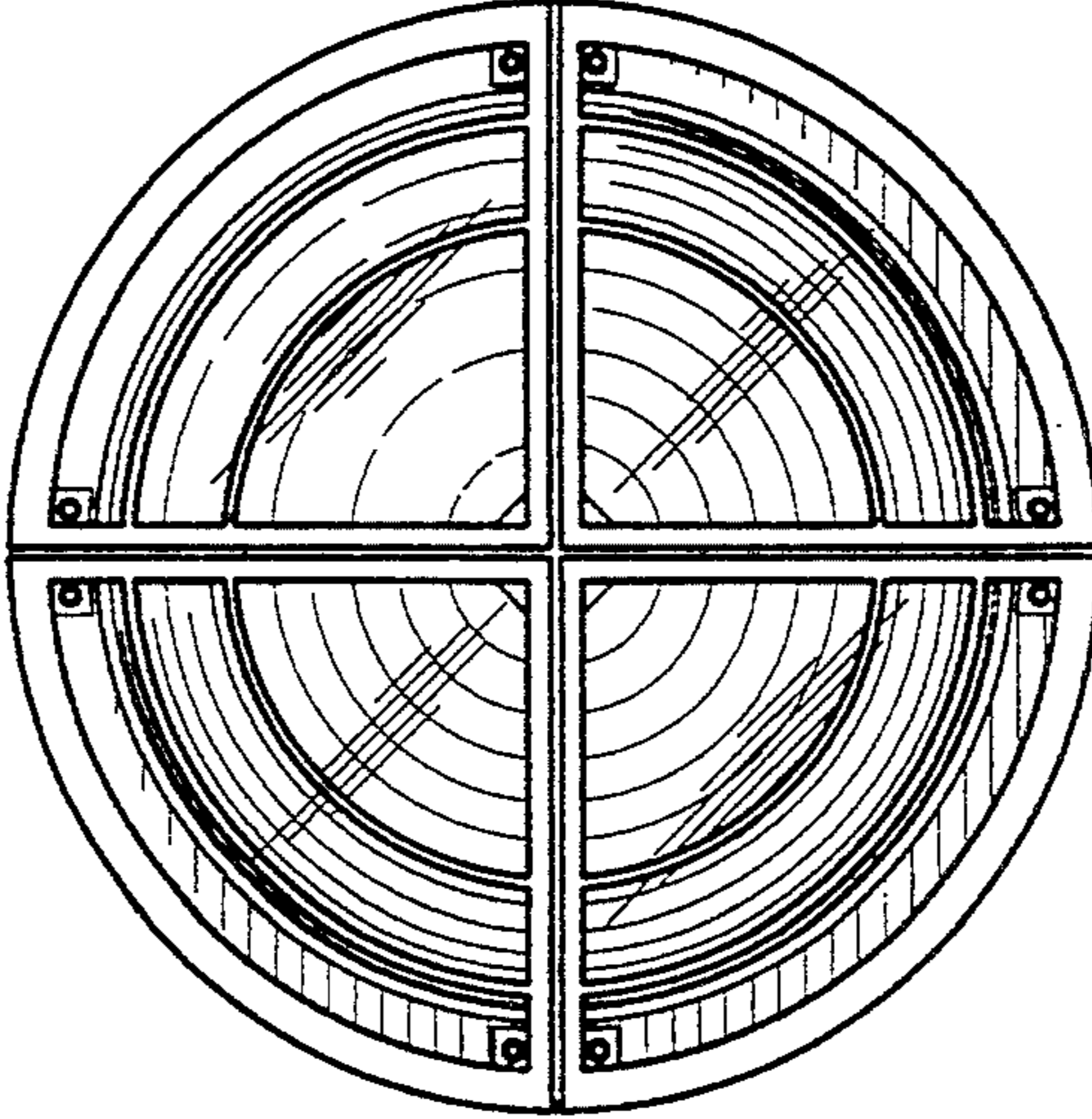


FIG. 60

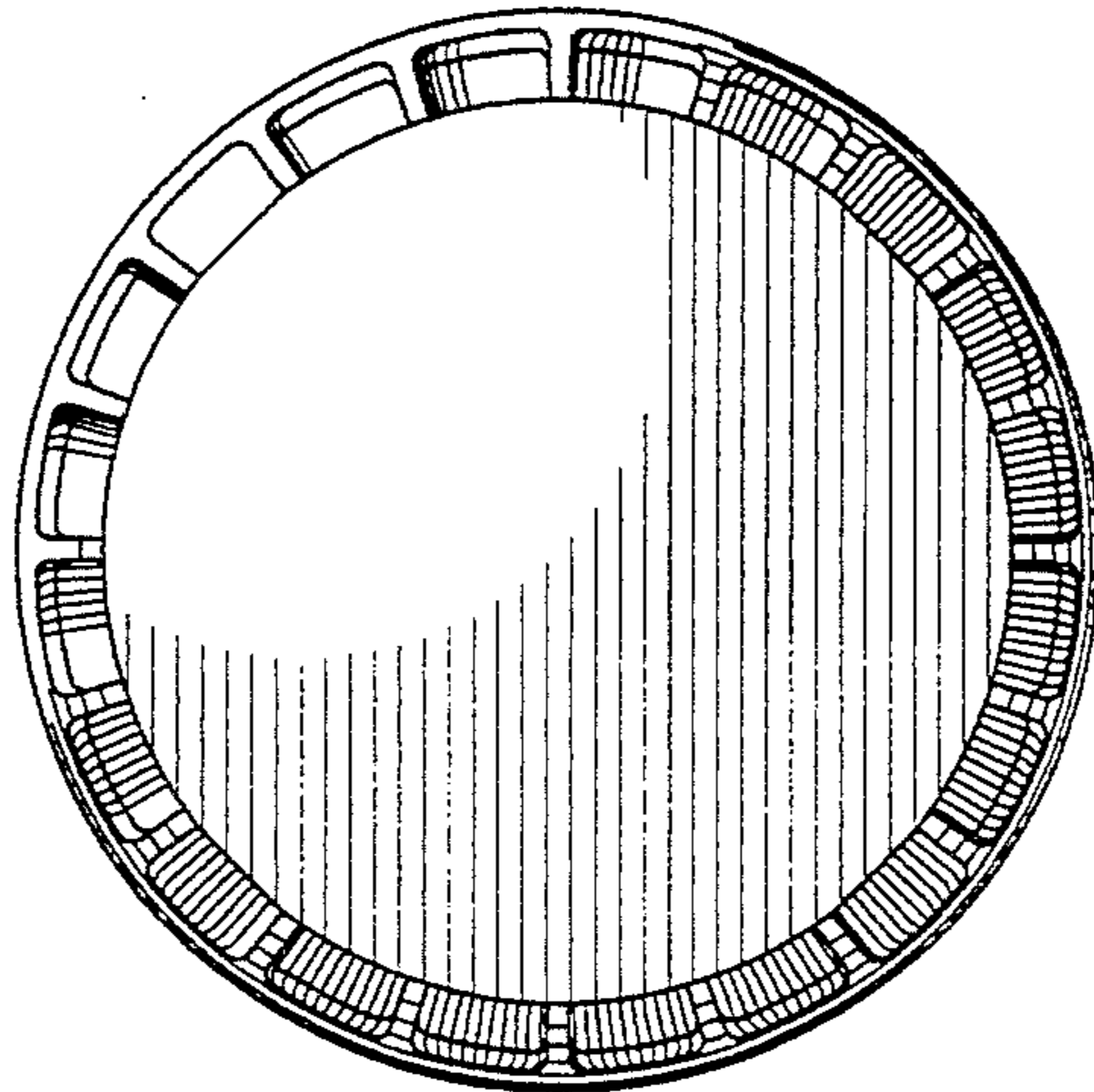


FIG. 61

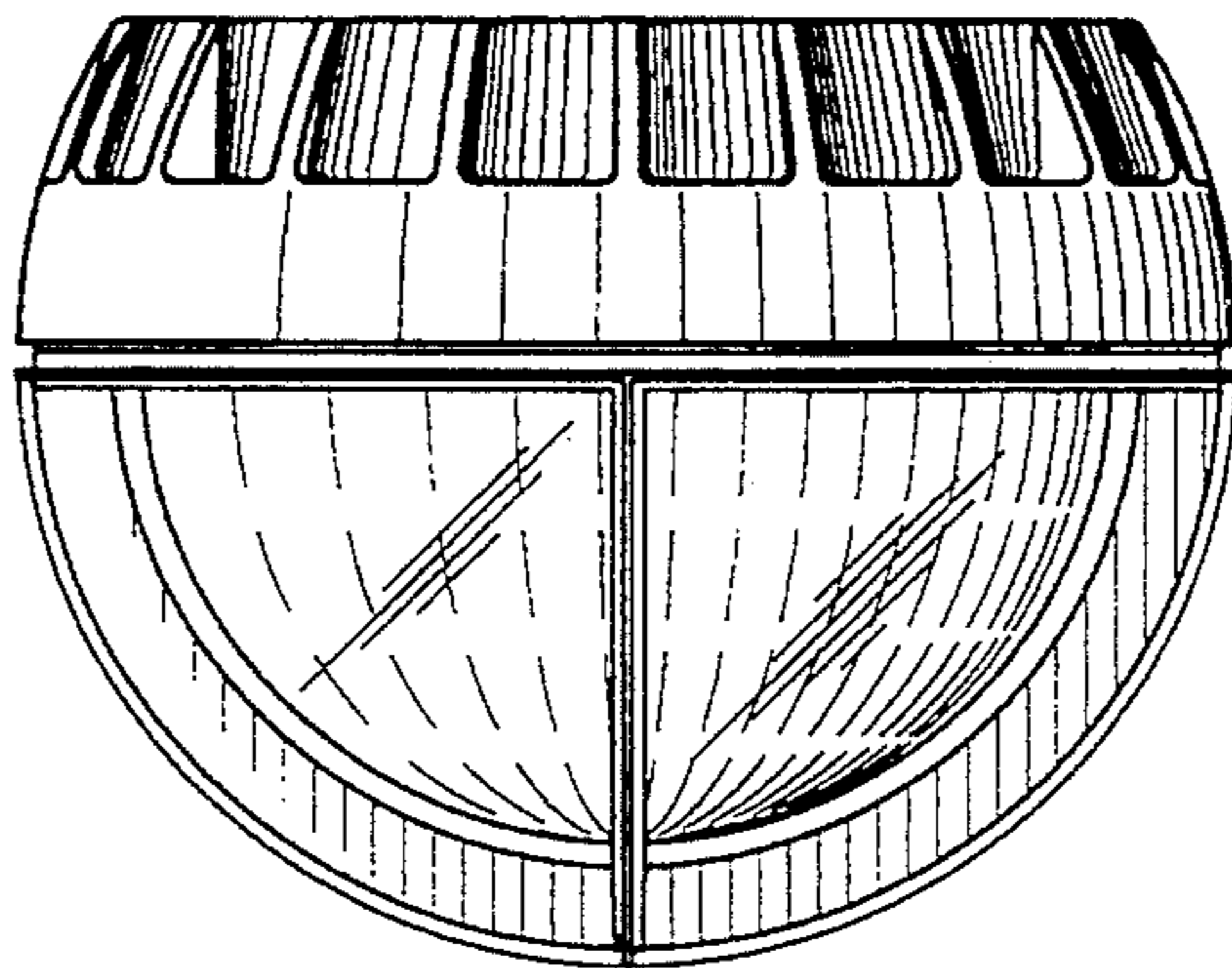


FIG. 62

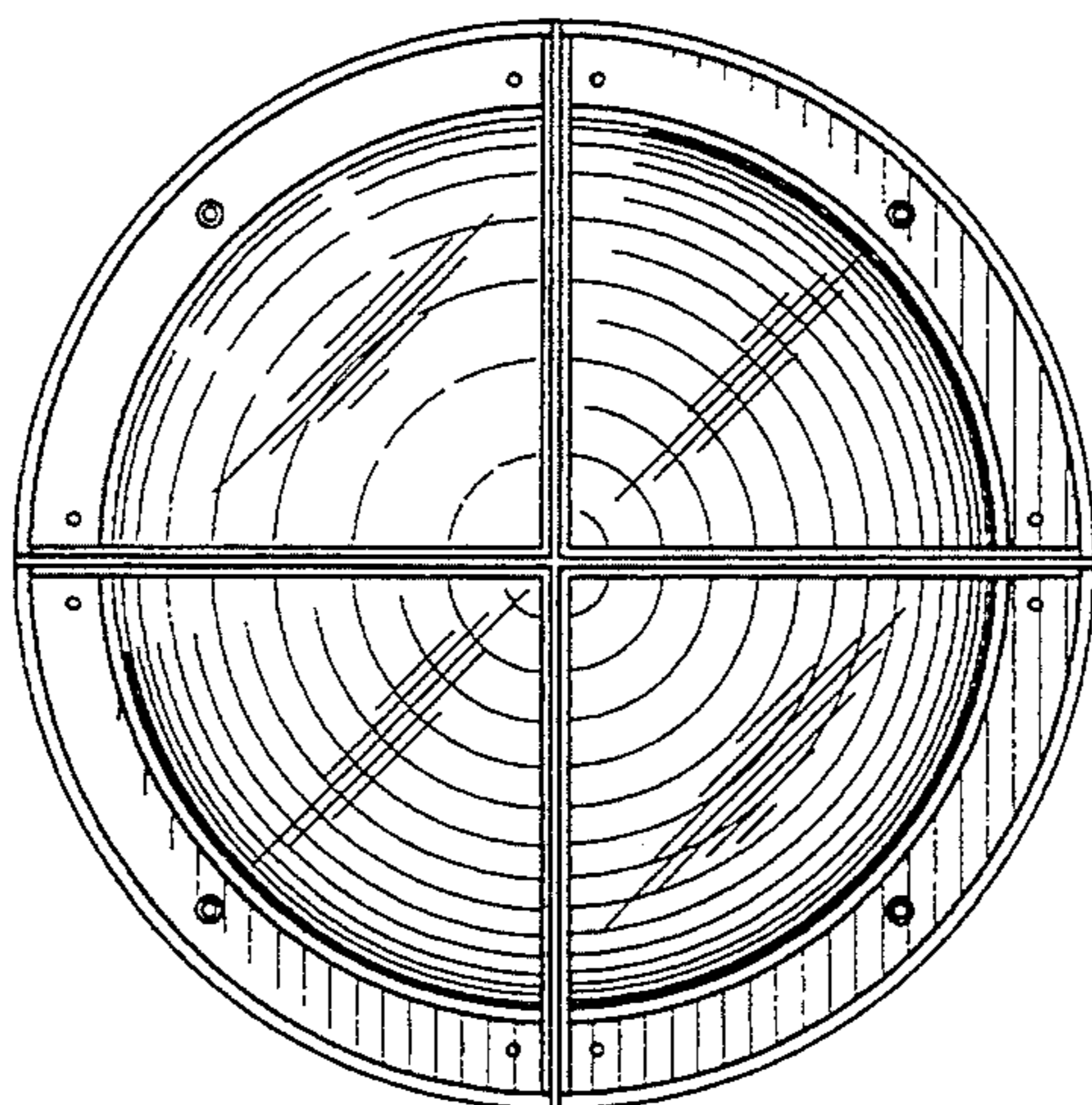


FIG. 63

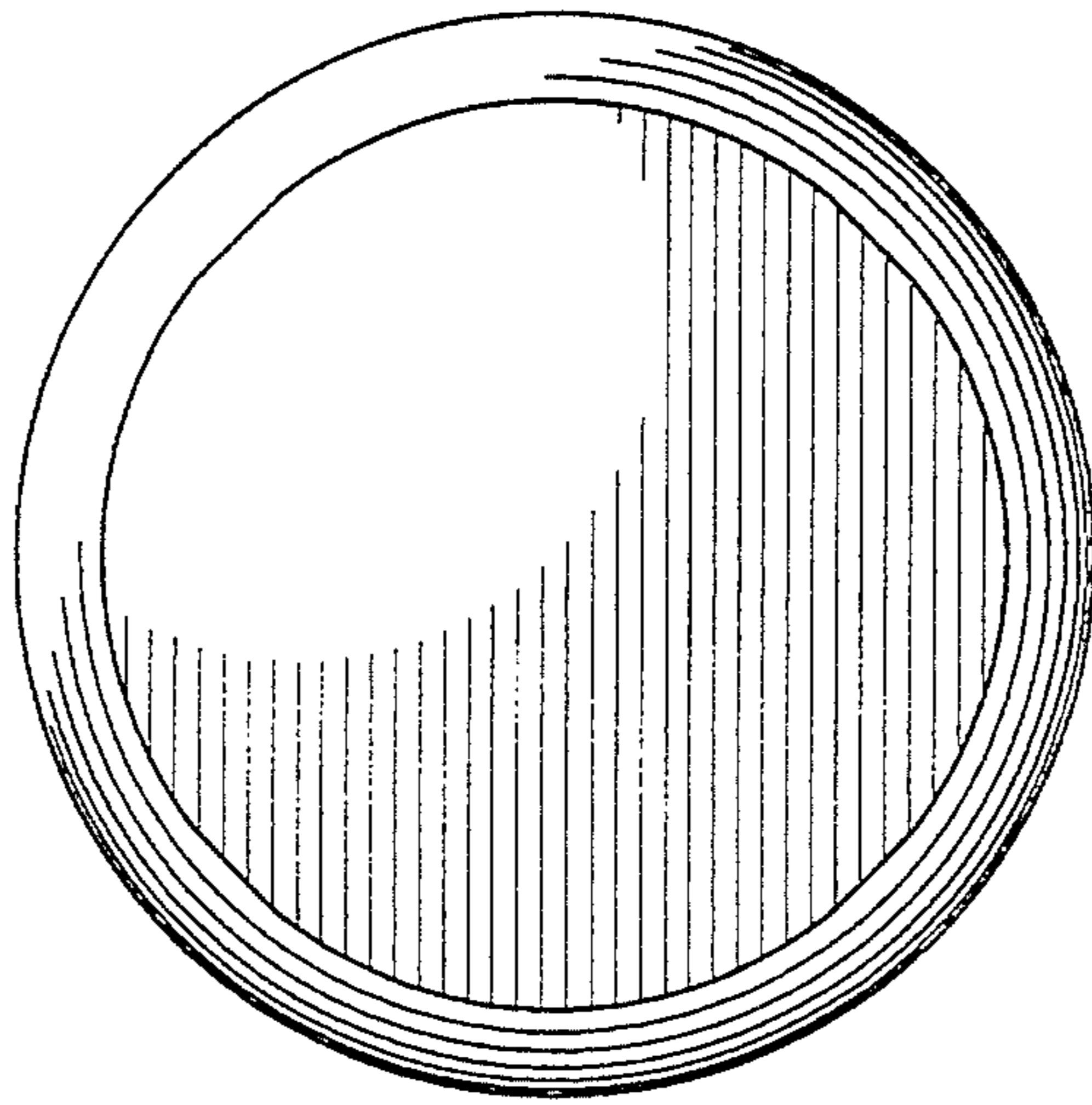


FIG. 64

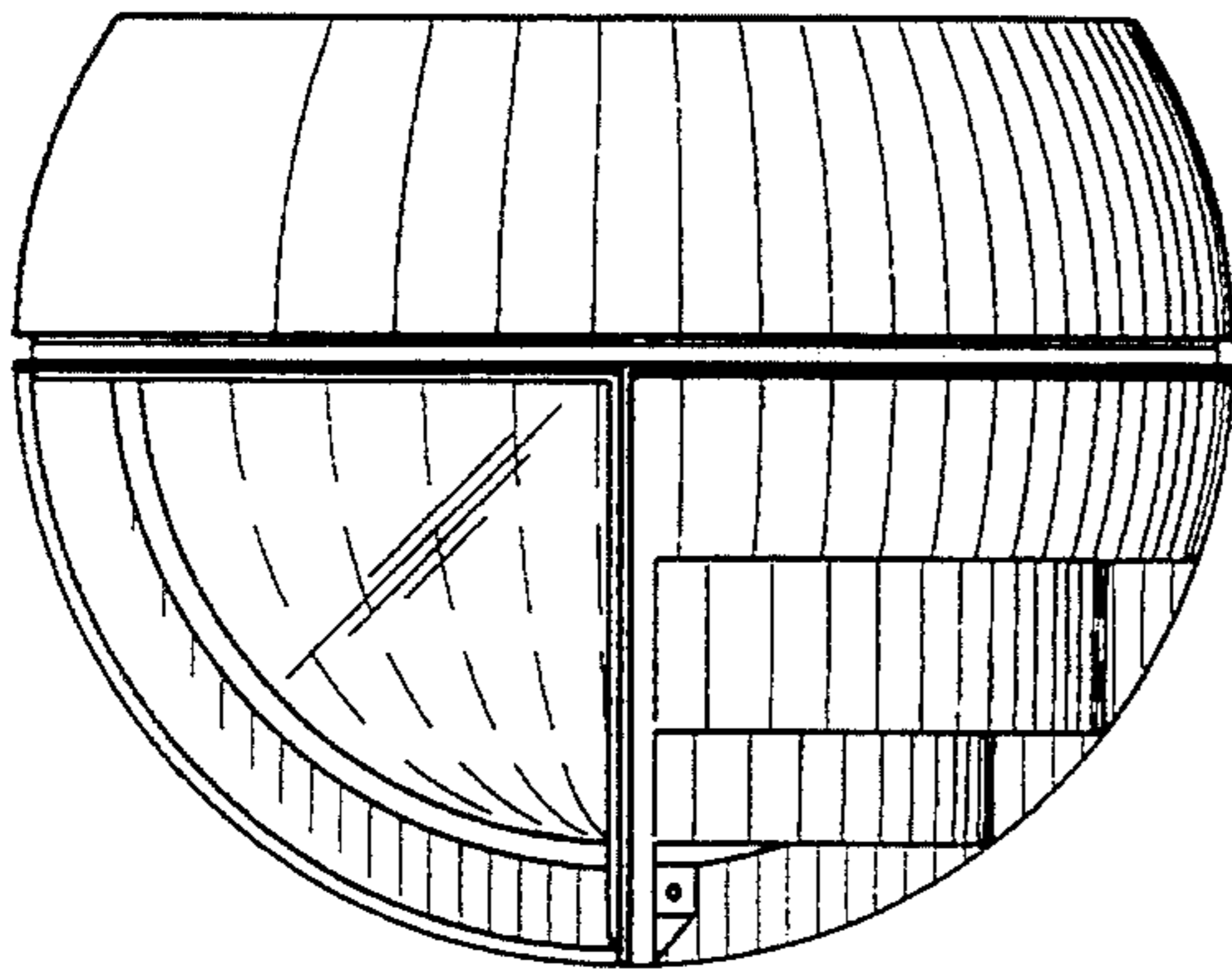


FIG. 65

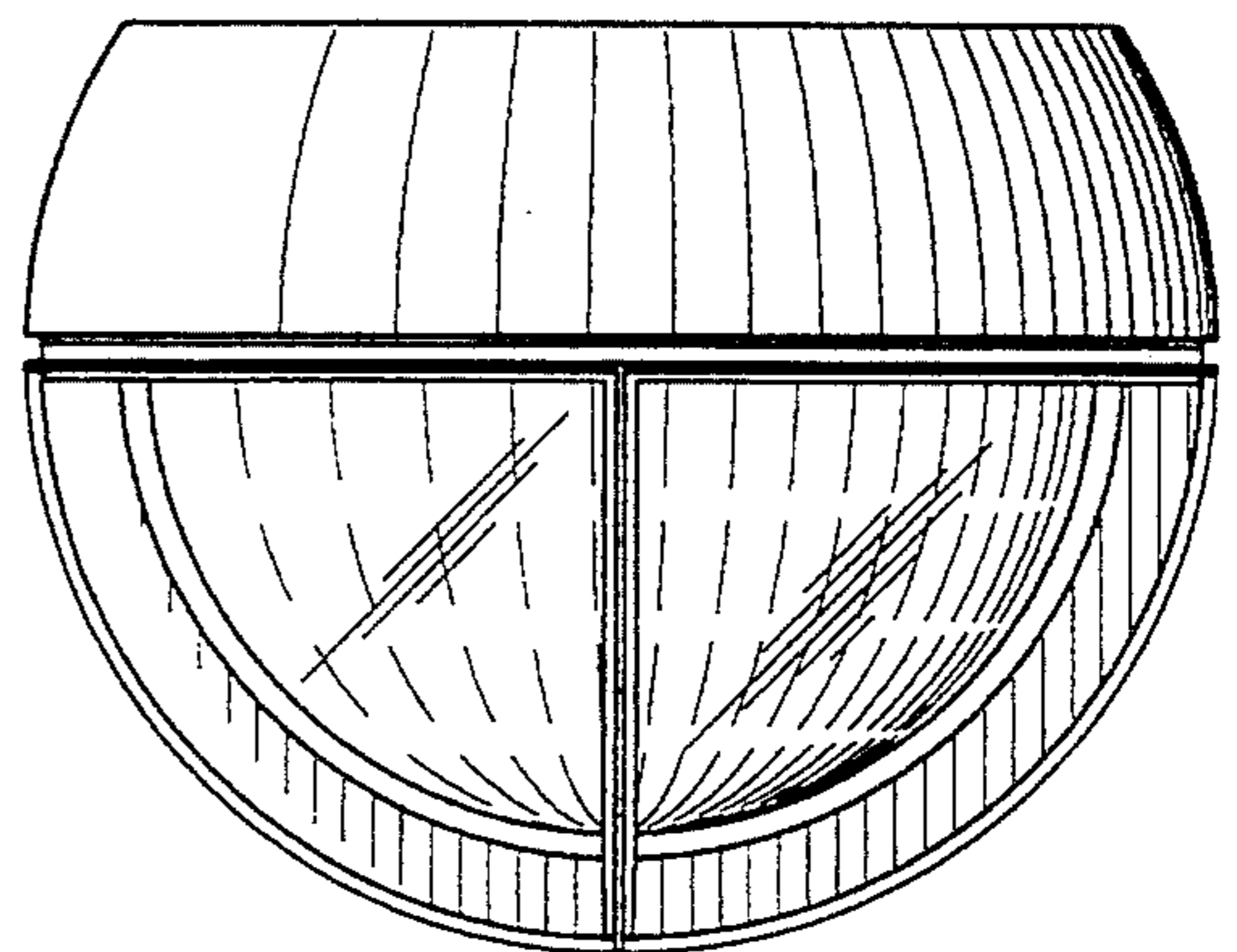


FIG. 66

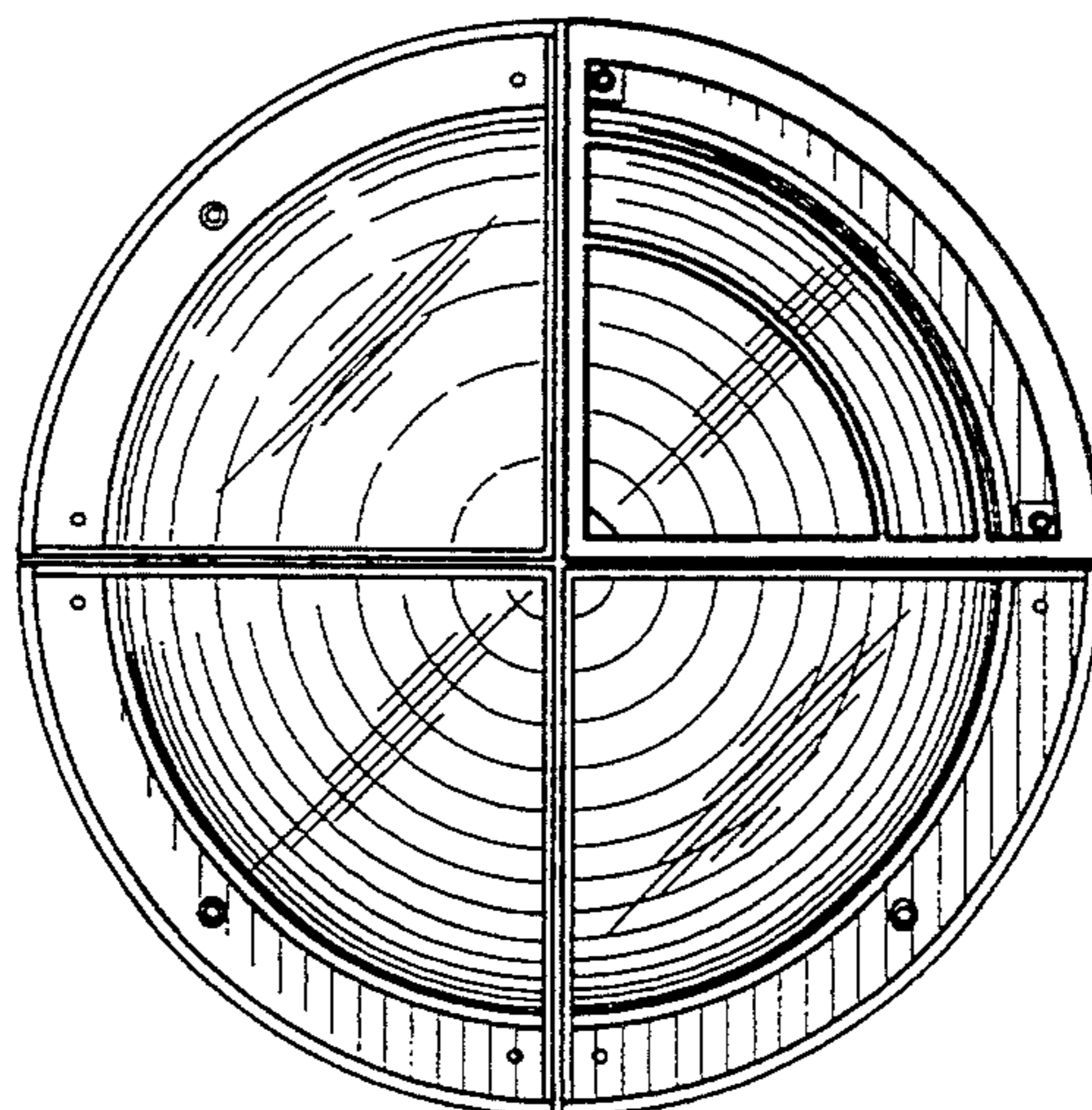


FIG. 67

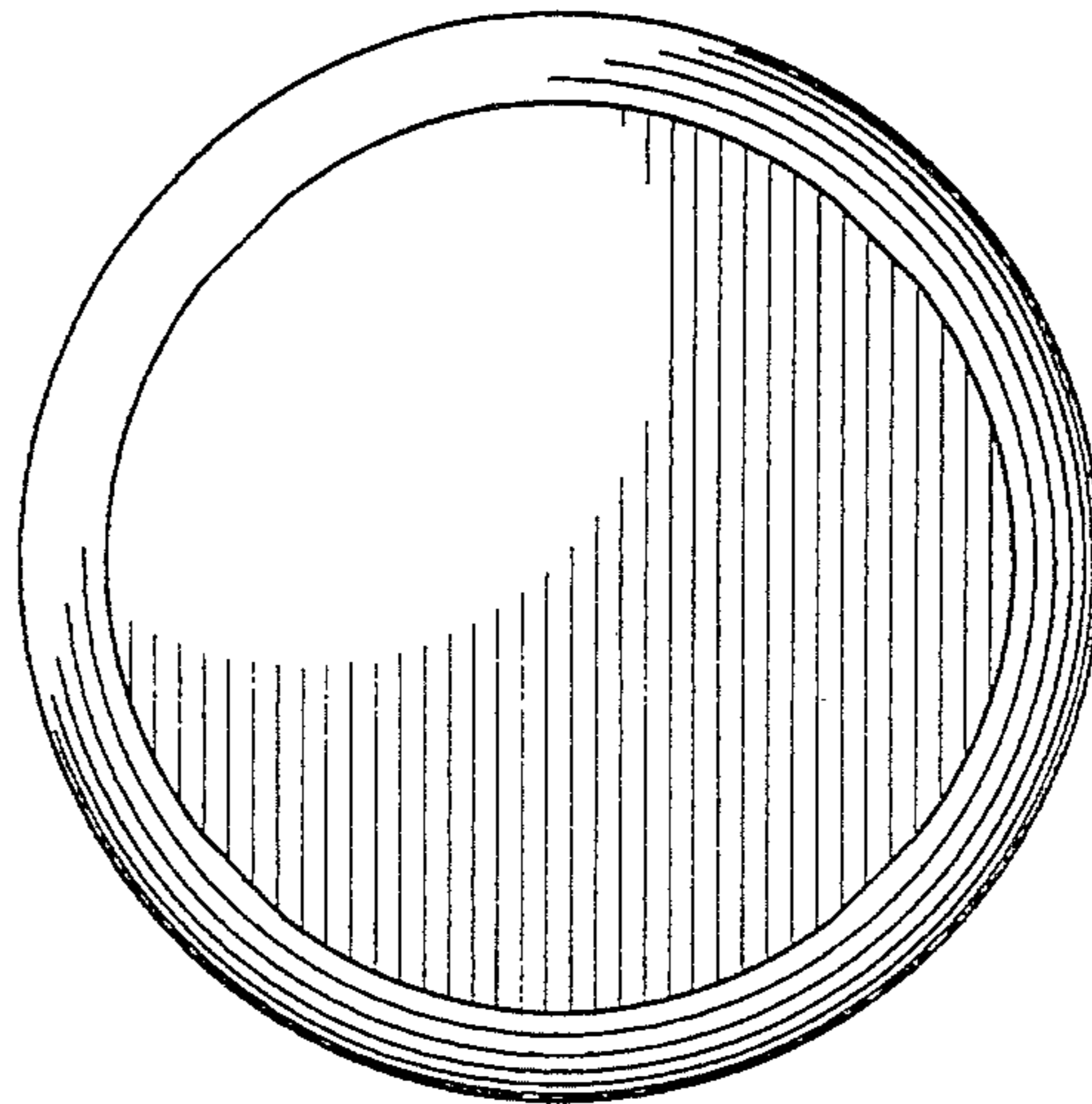


FIG. 68

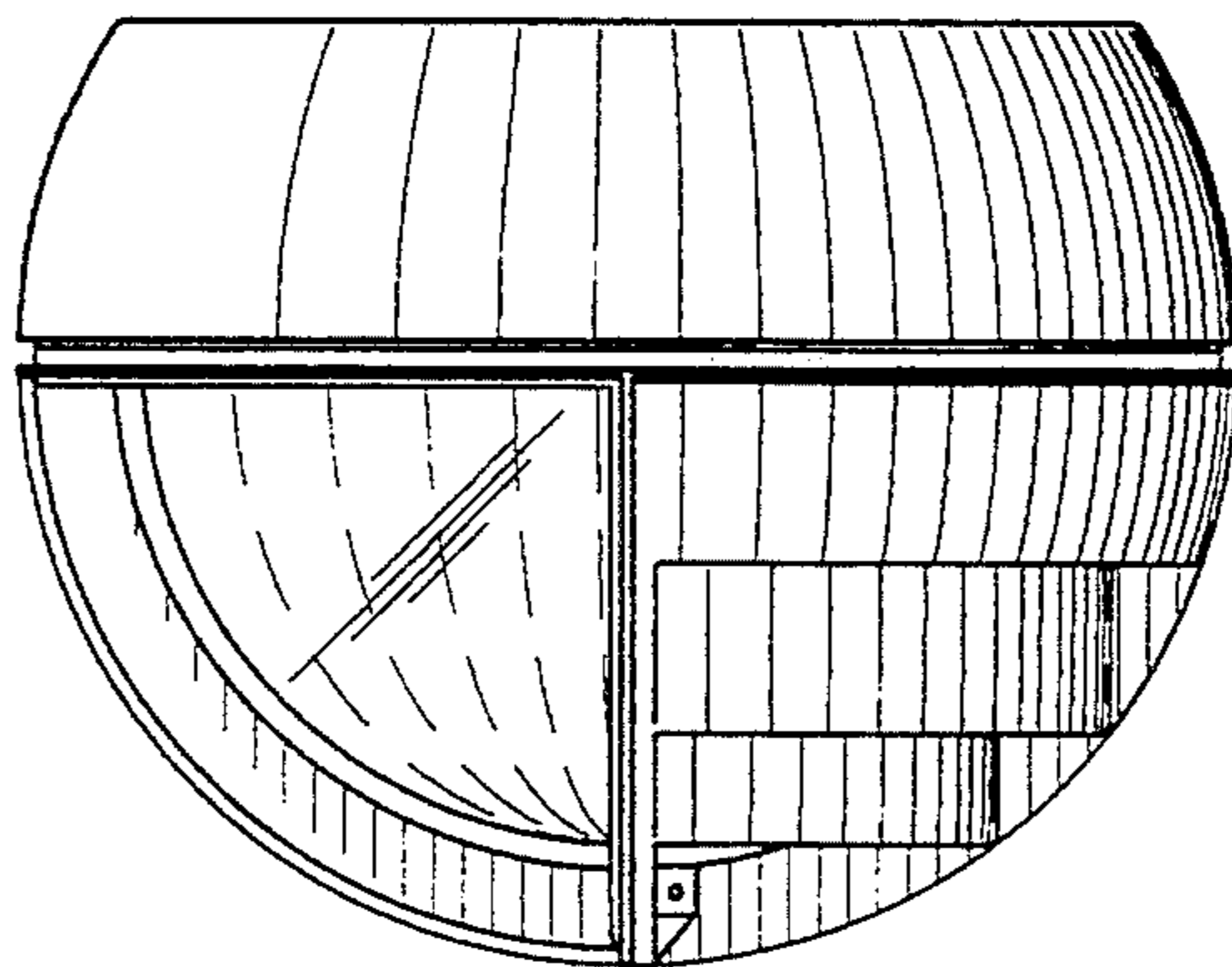


FIG. 69

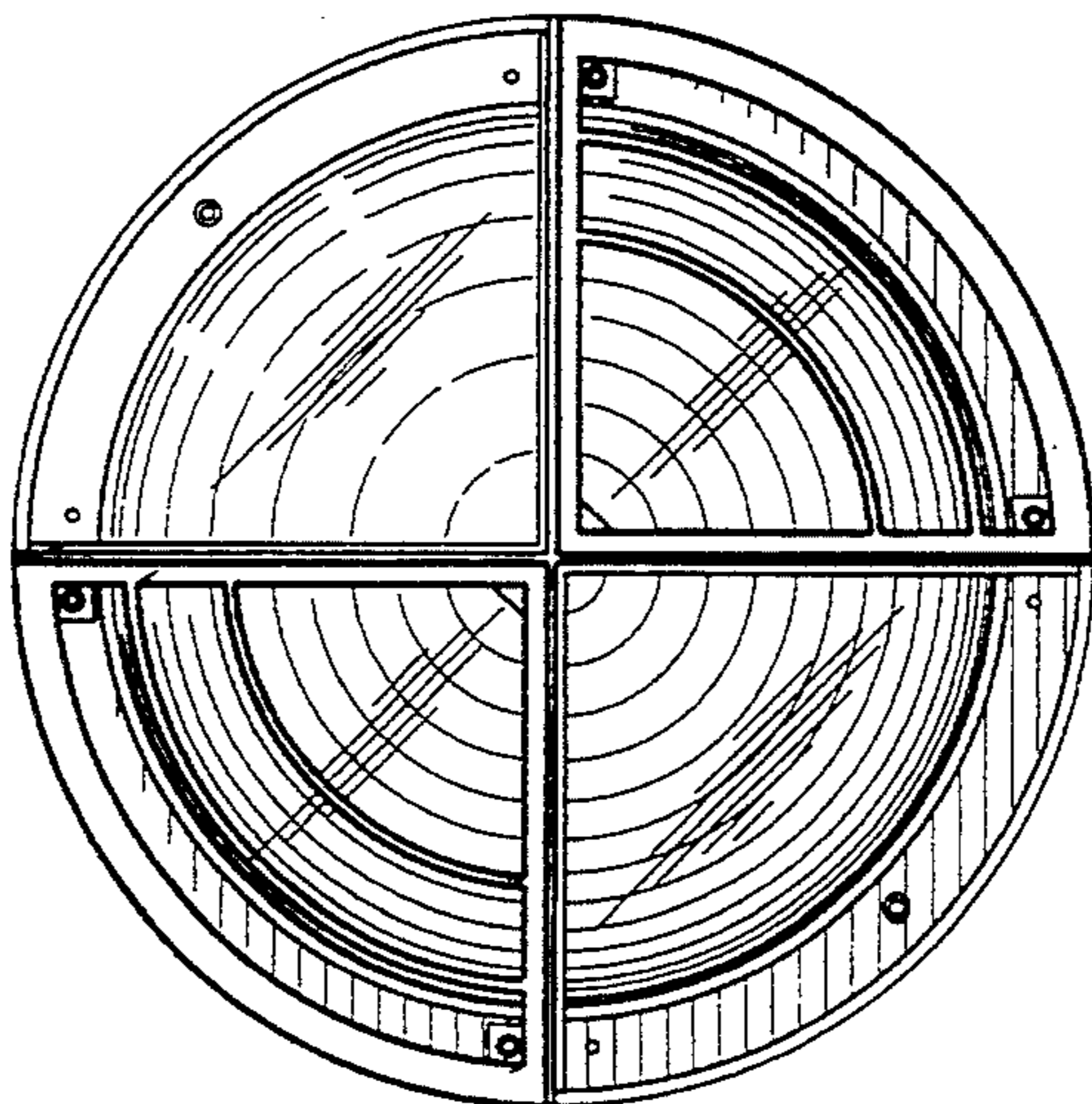


FIG. 70

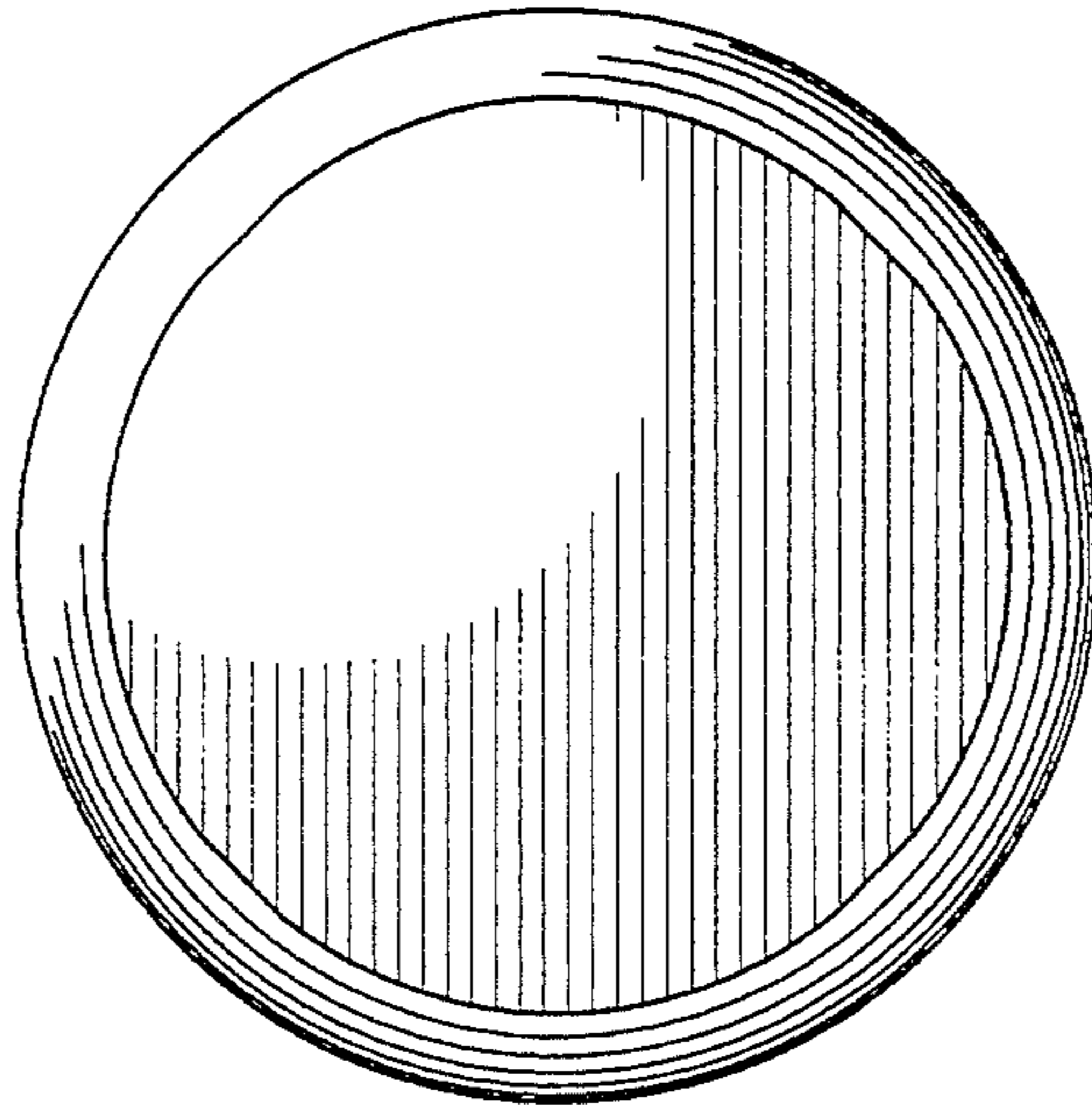


FIG. 71

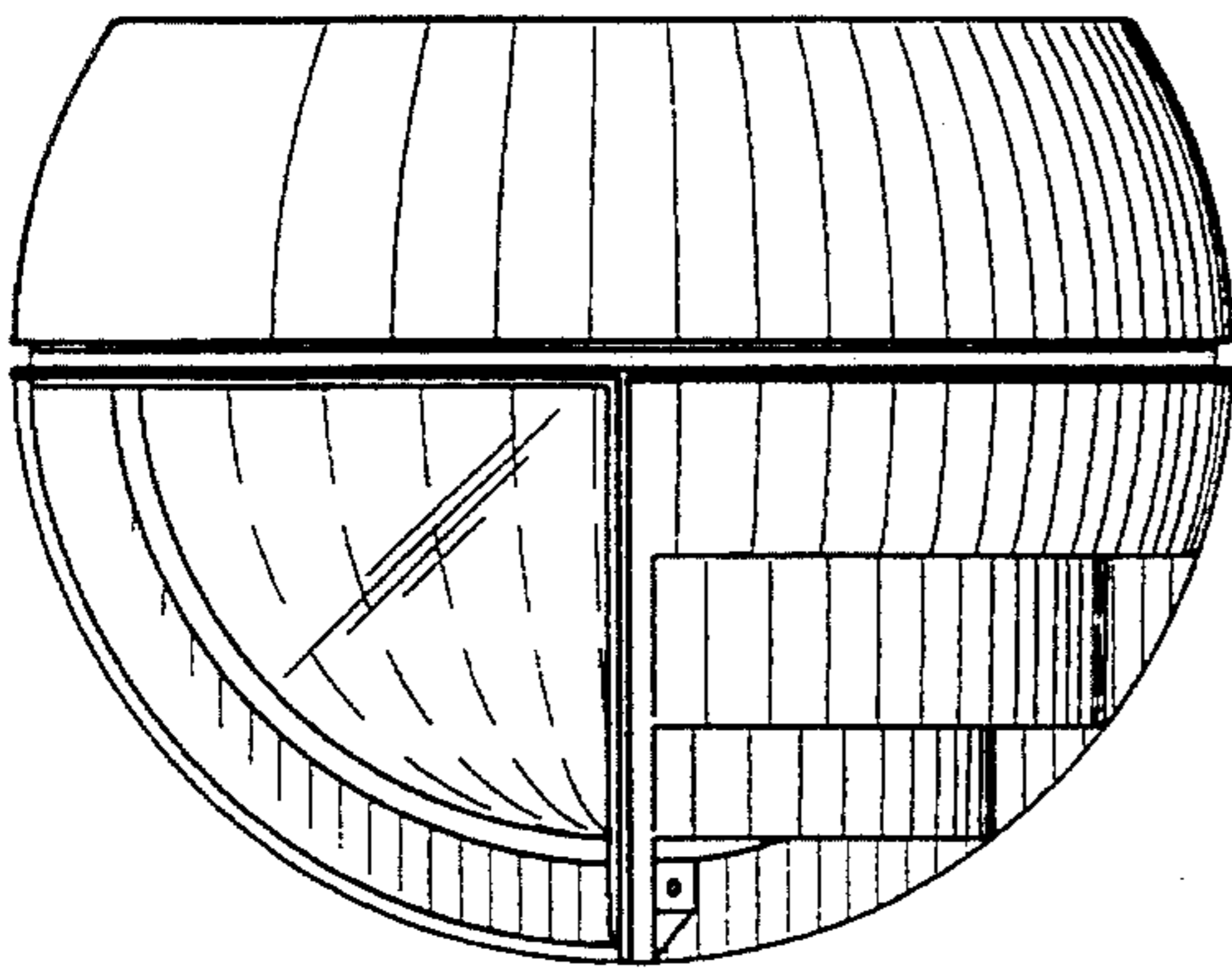


FIG. 72

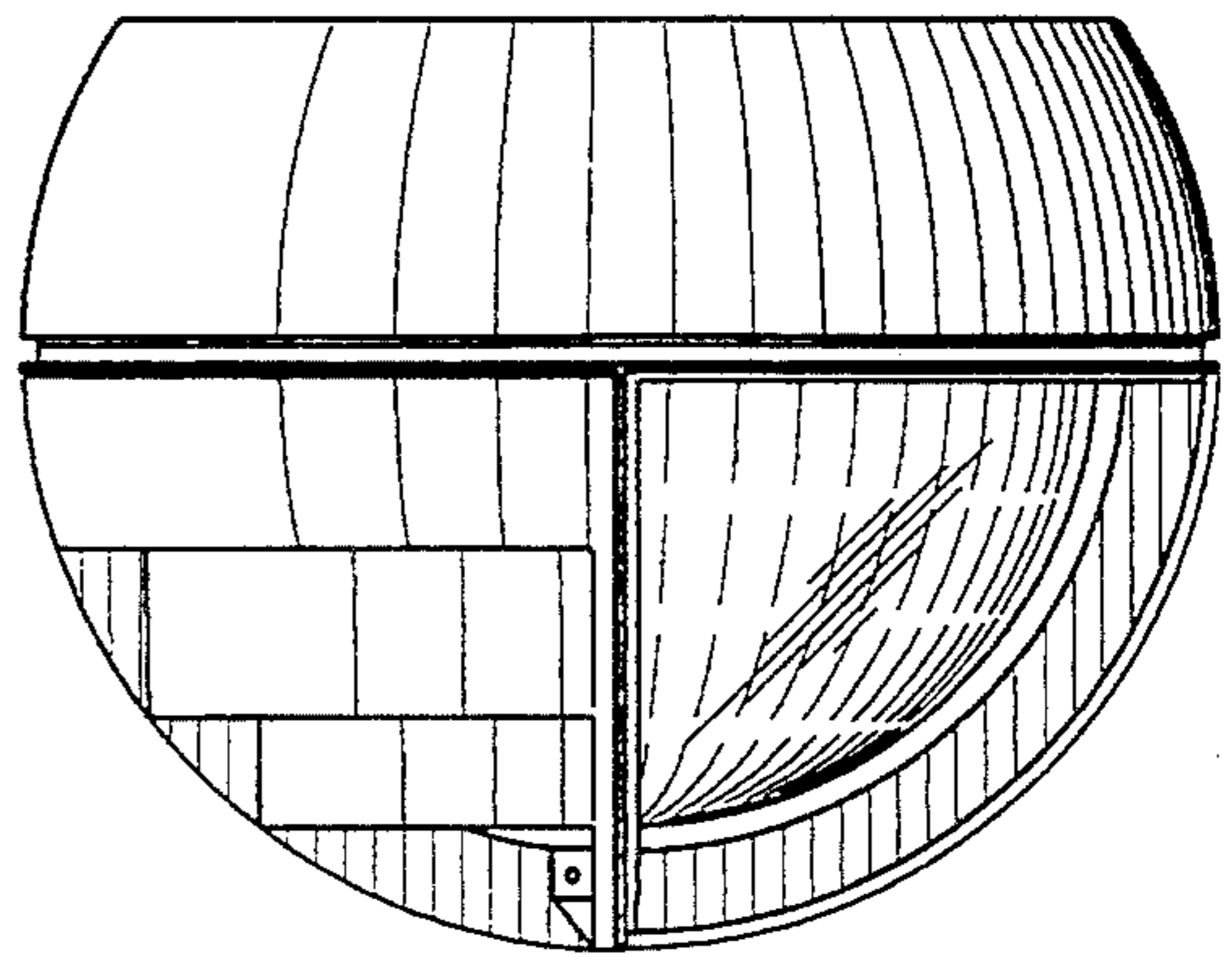


FIG. 73

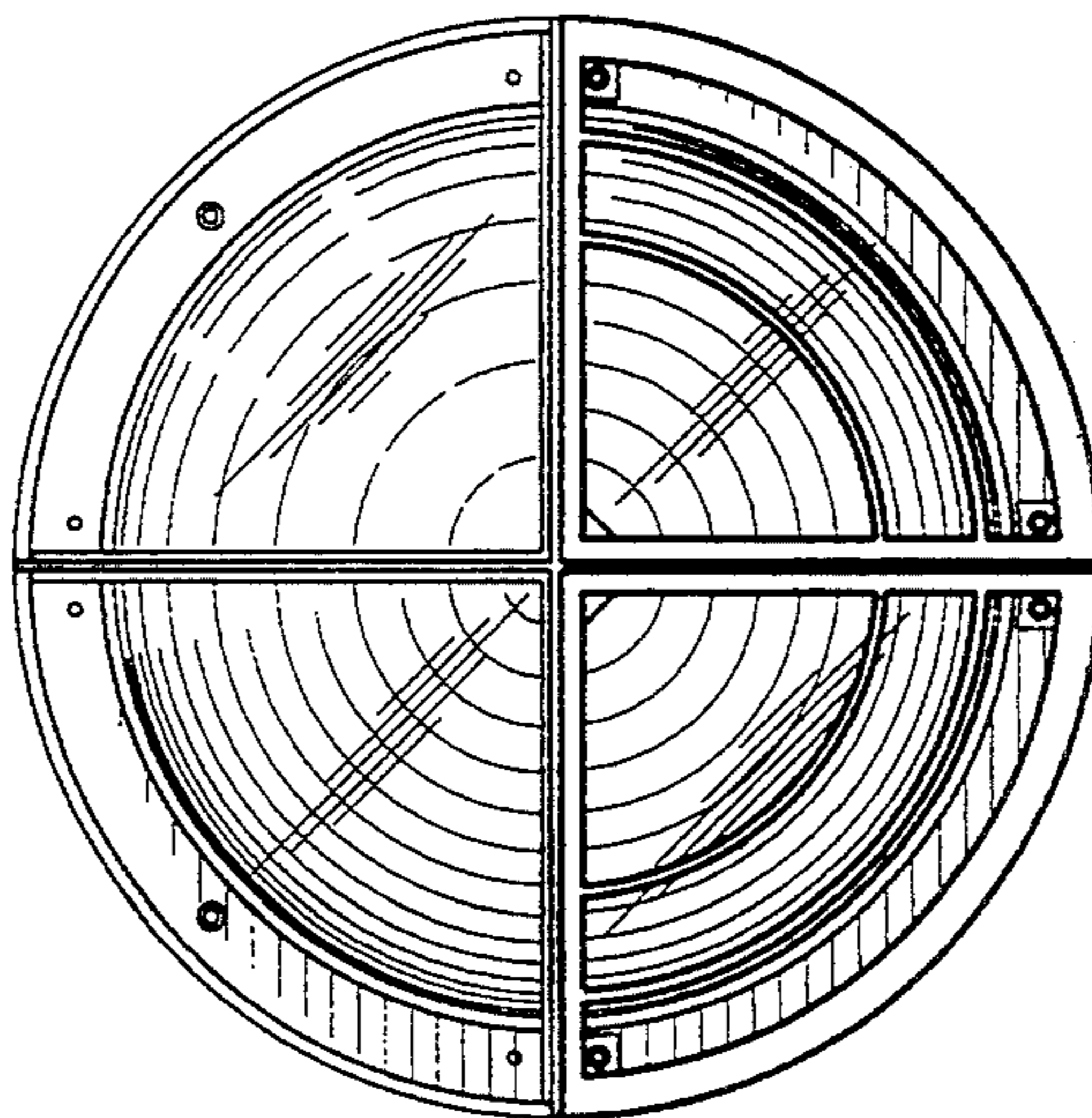


FIG. 74

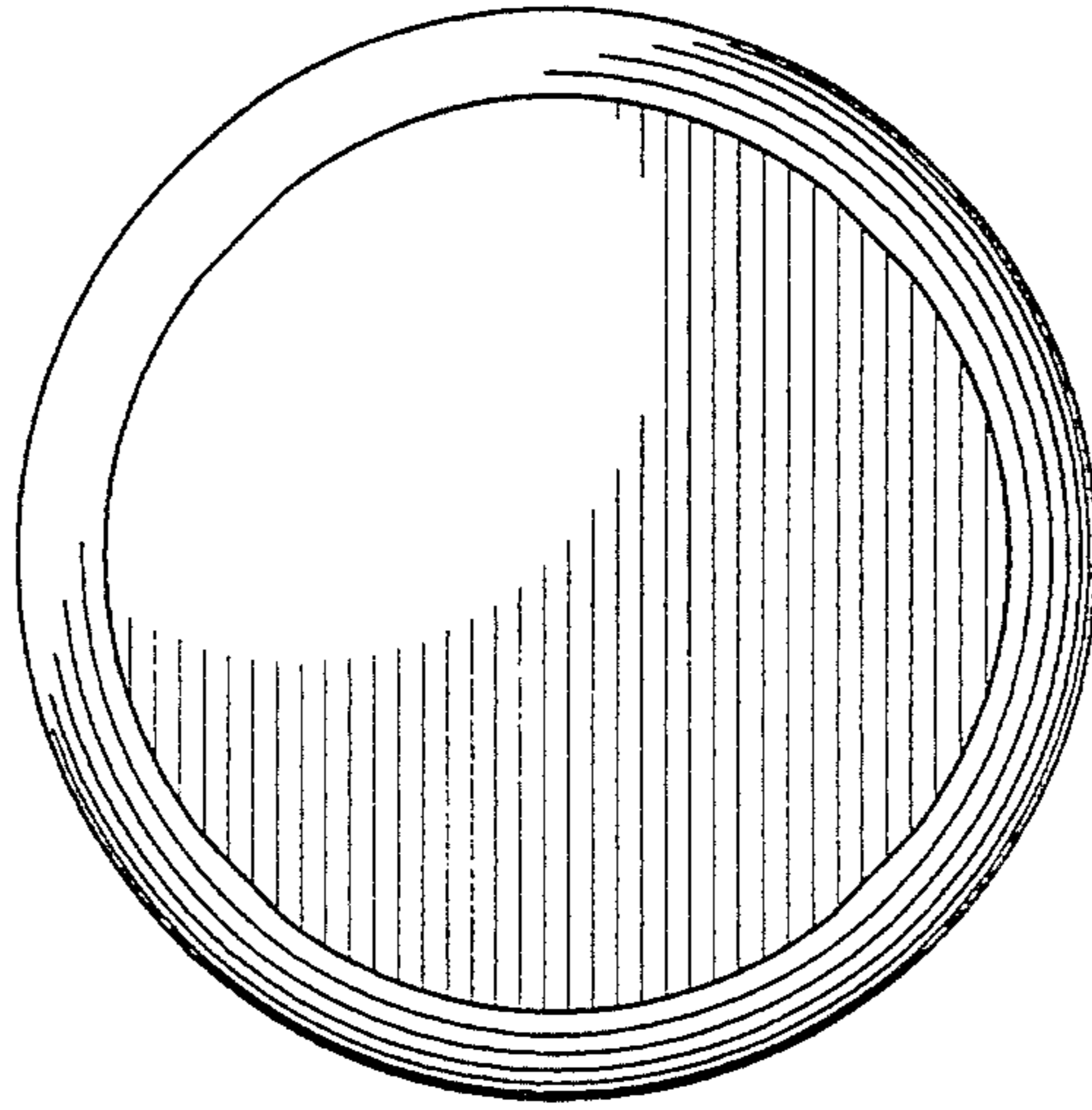


FIG. 75

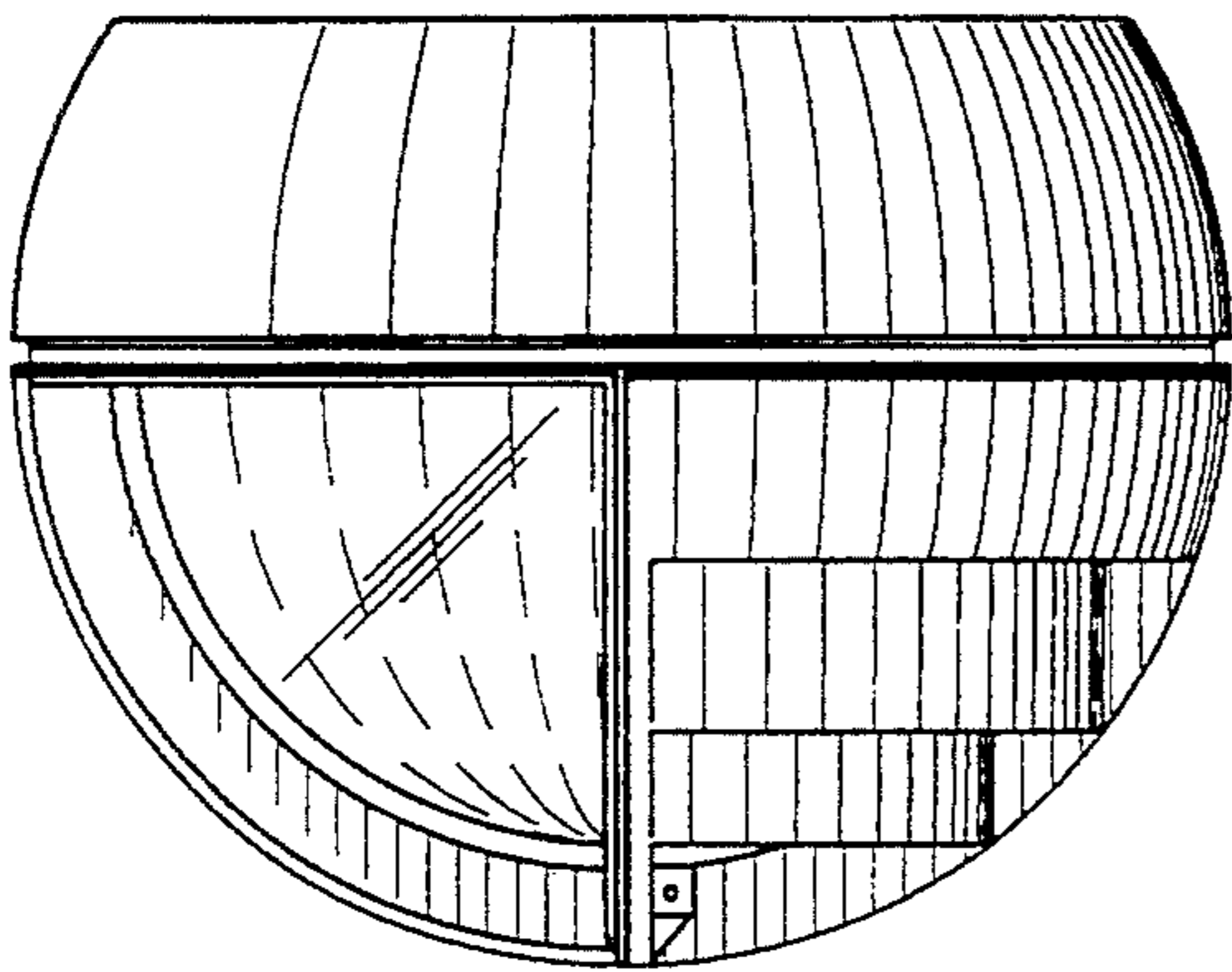


FIG. 76

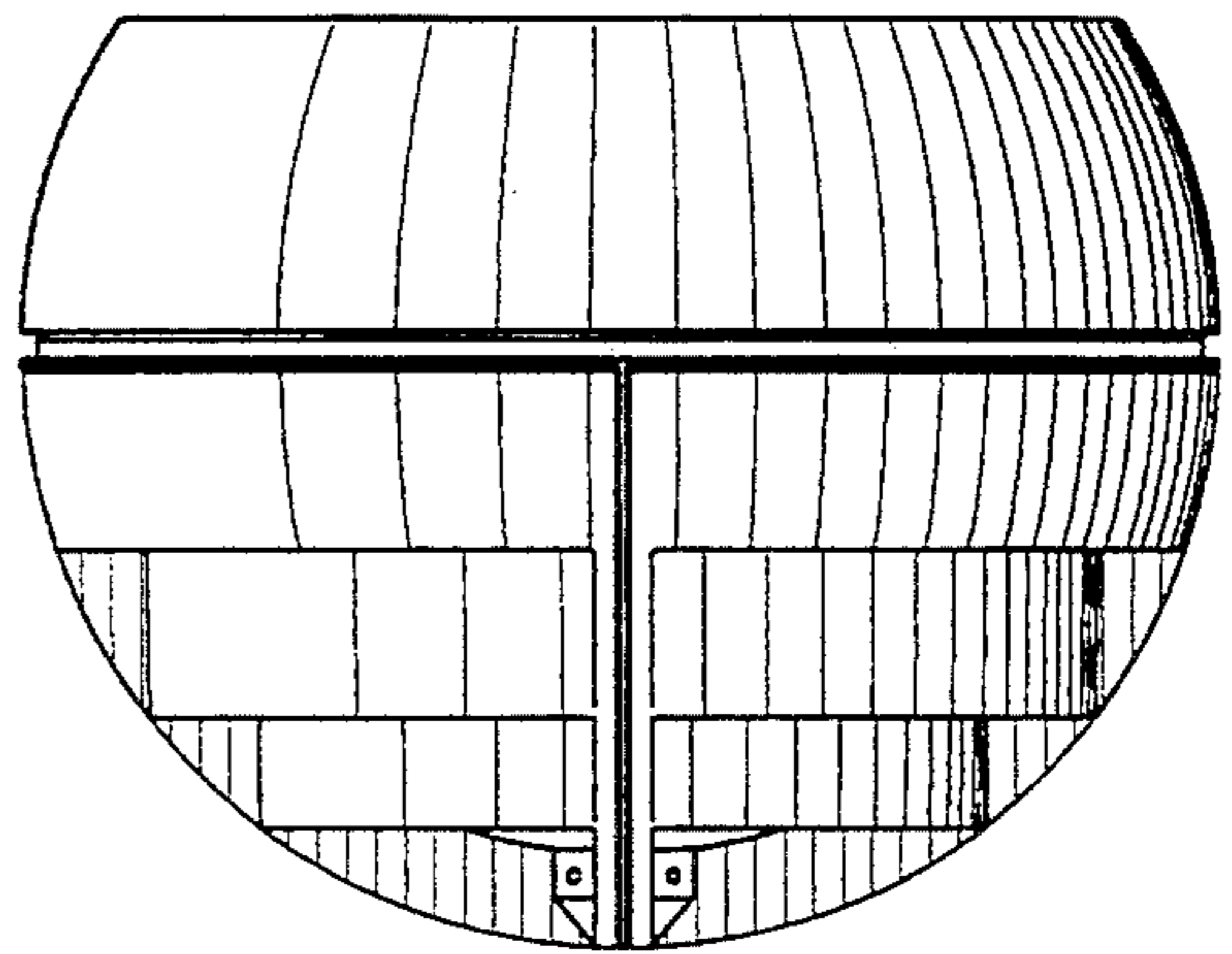


FIG. 77

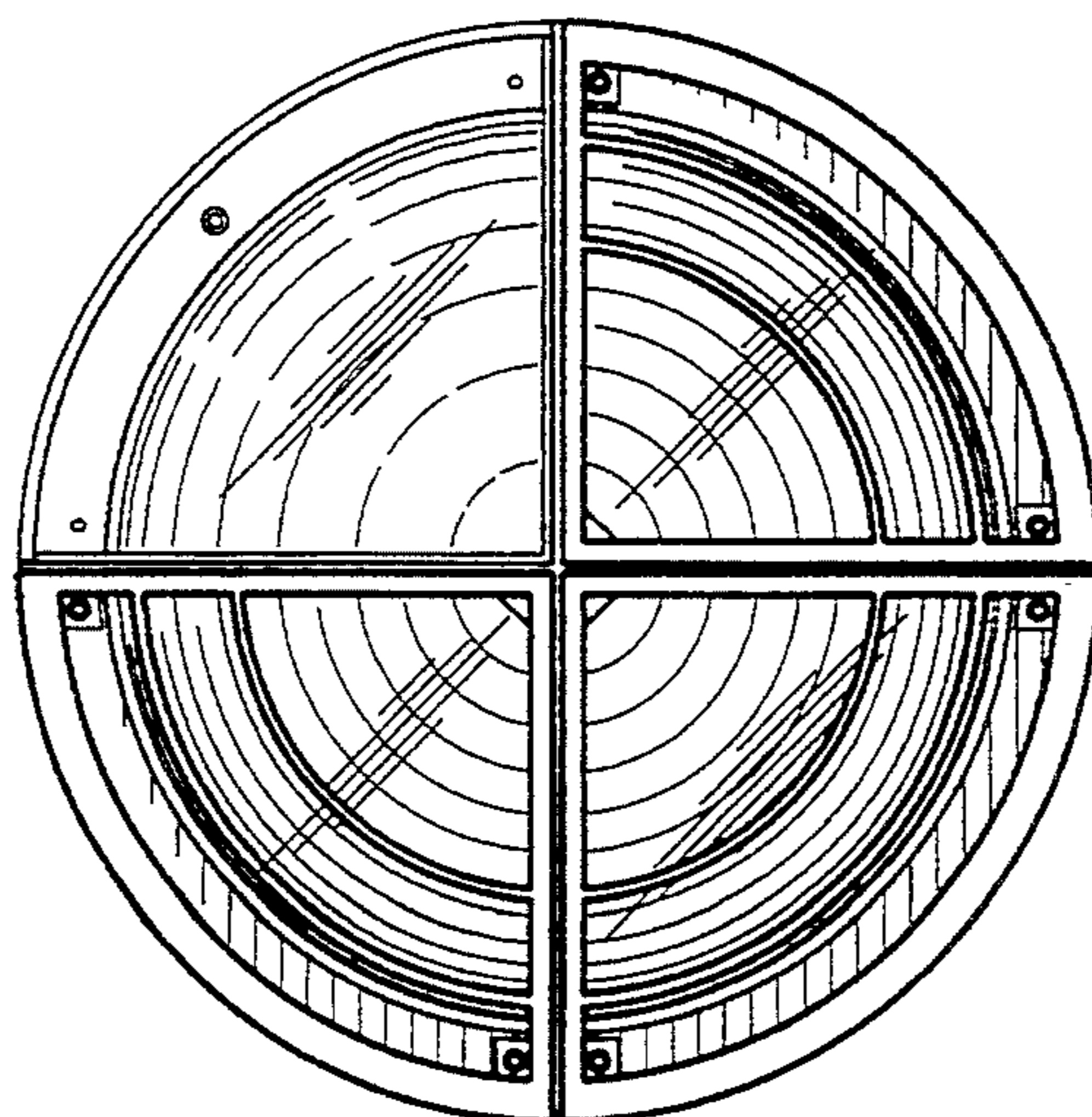


FIG. 78

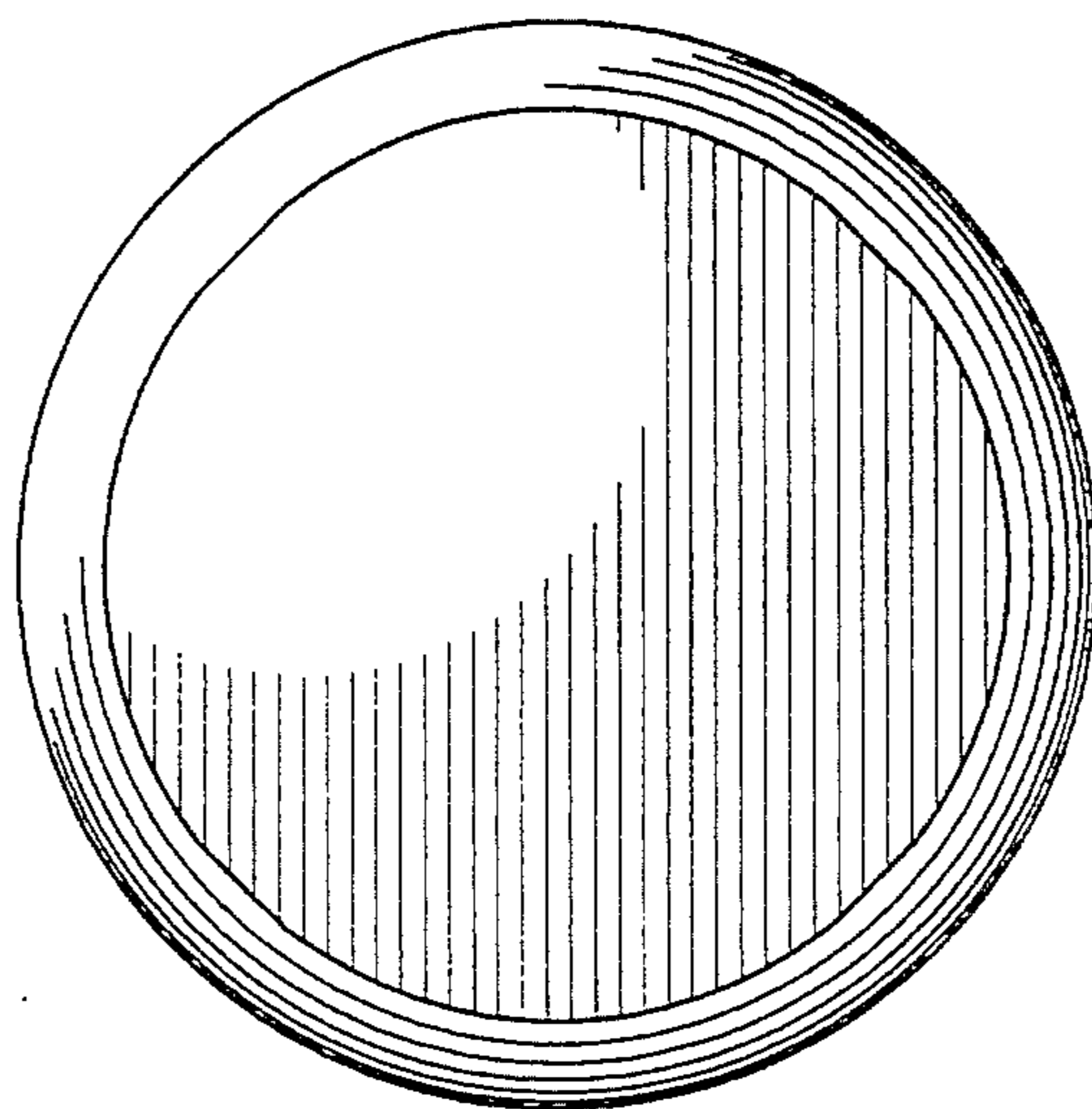


FIG. 79

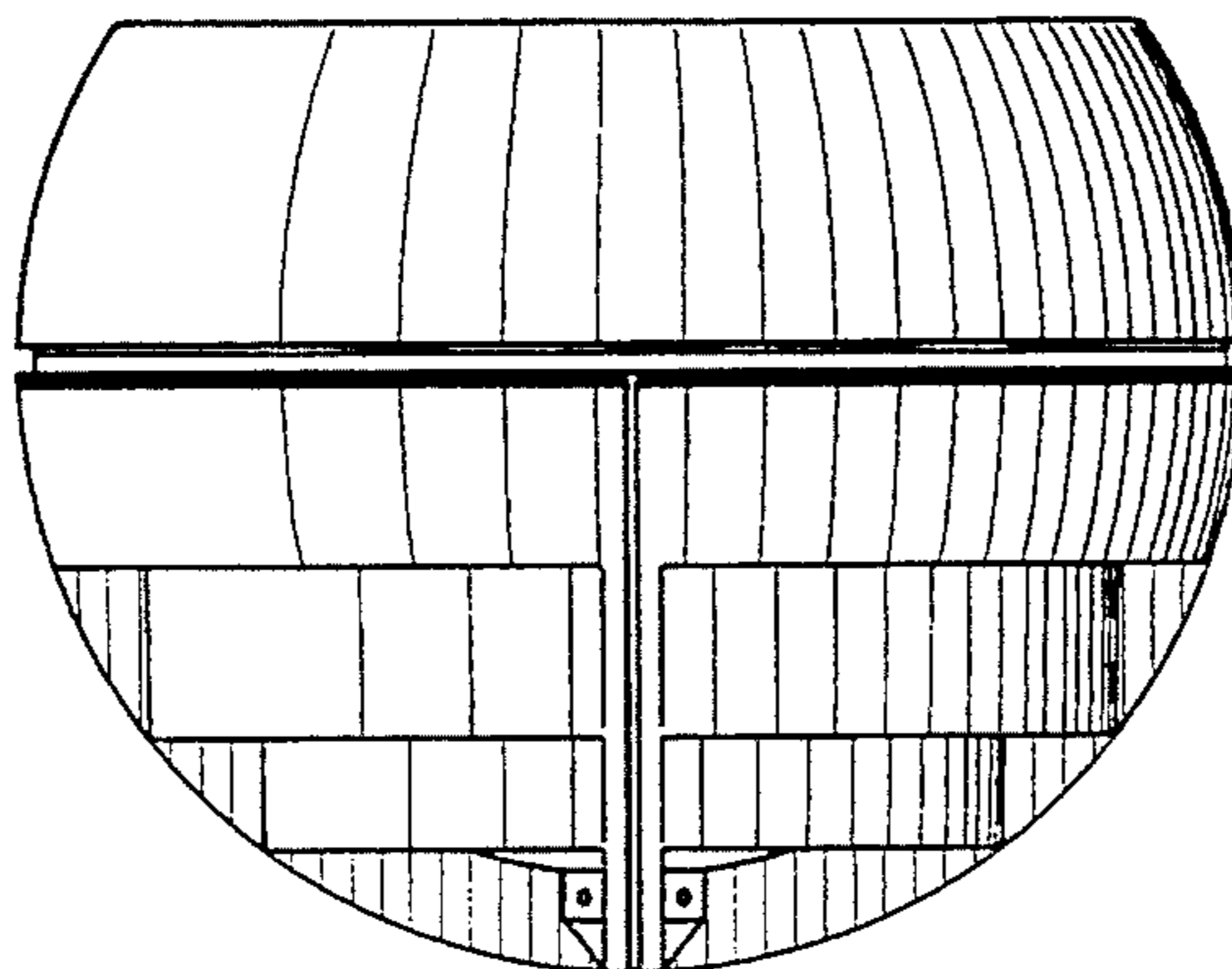


FIG. 80

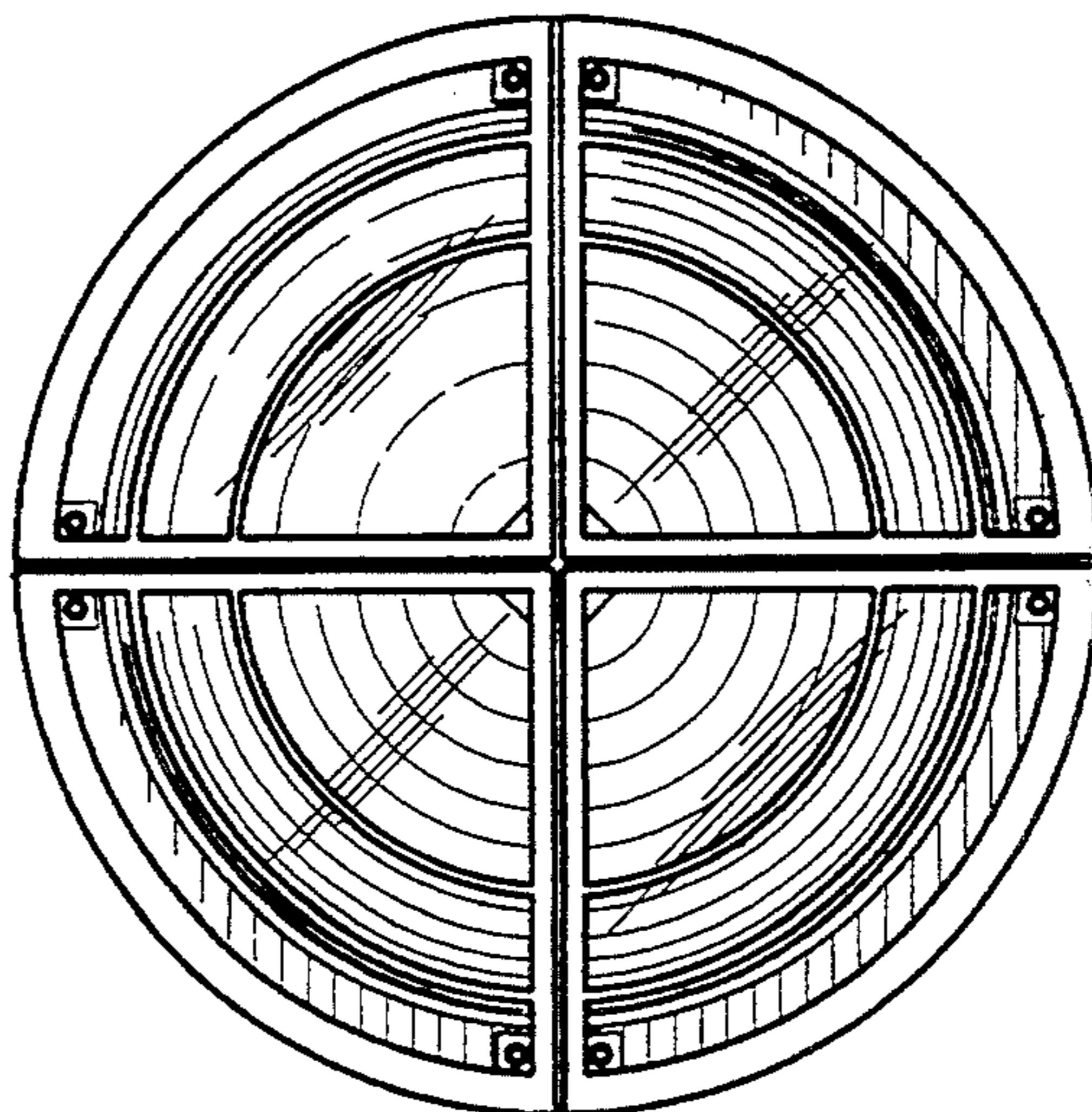


FIG. 81

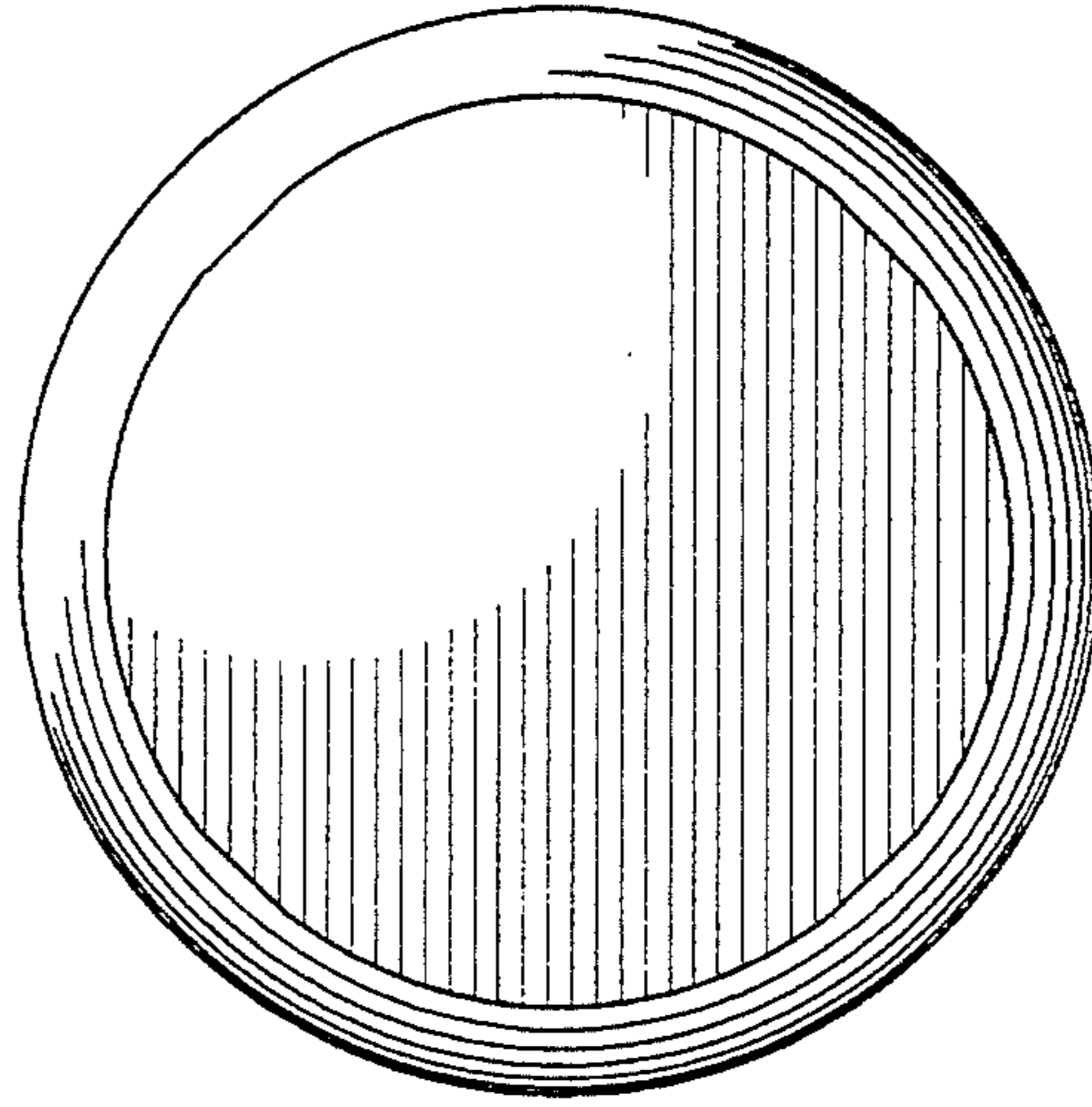


FIG. 82

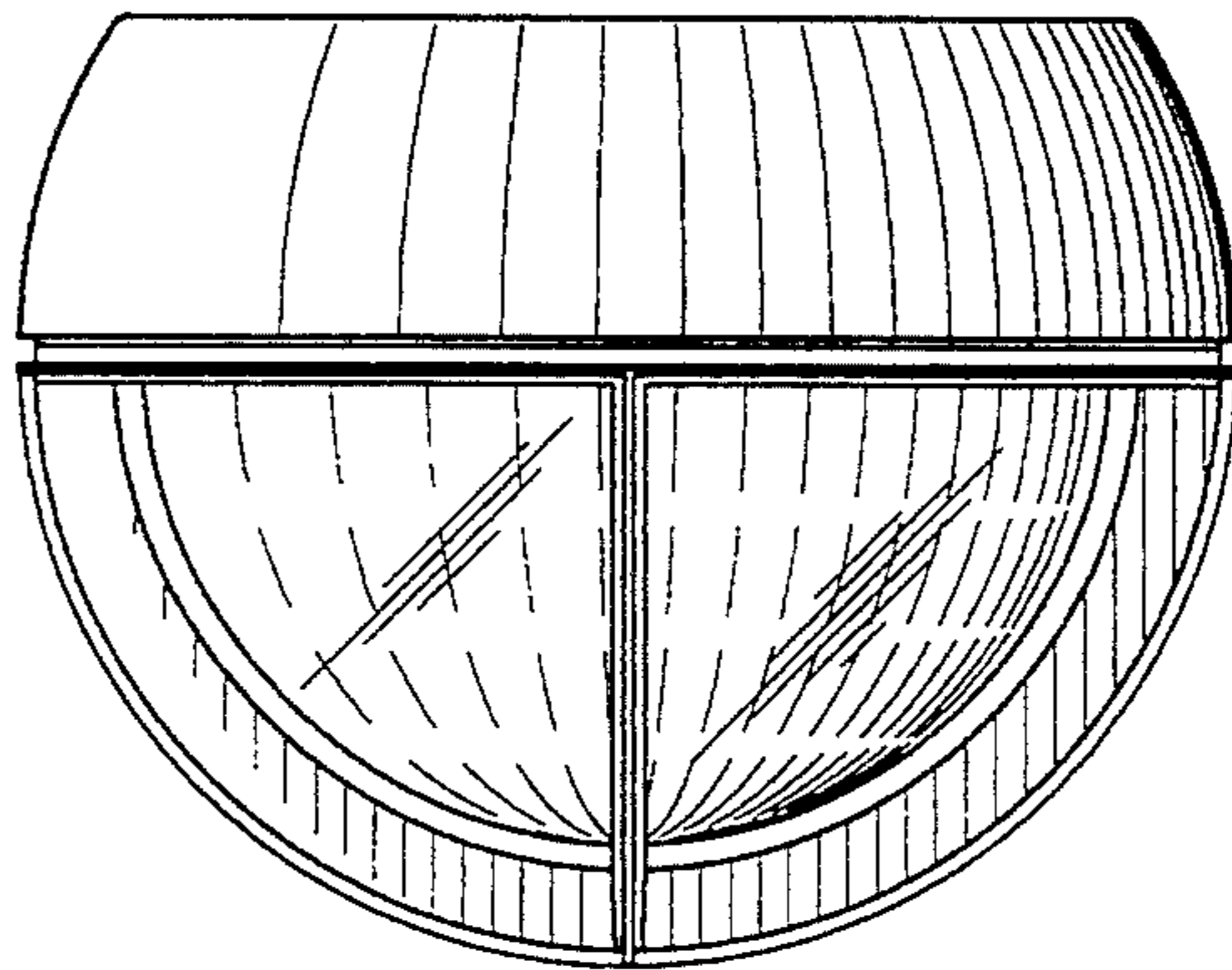


FIG. 83

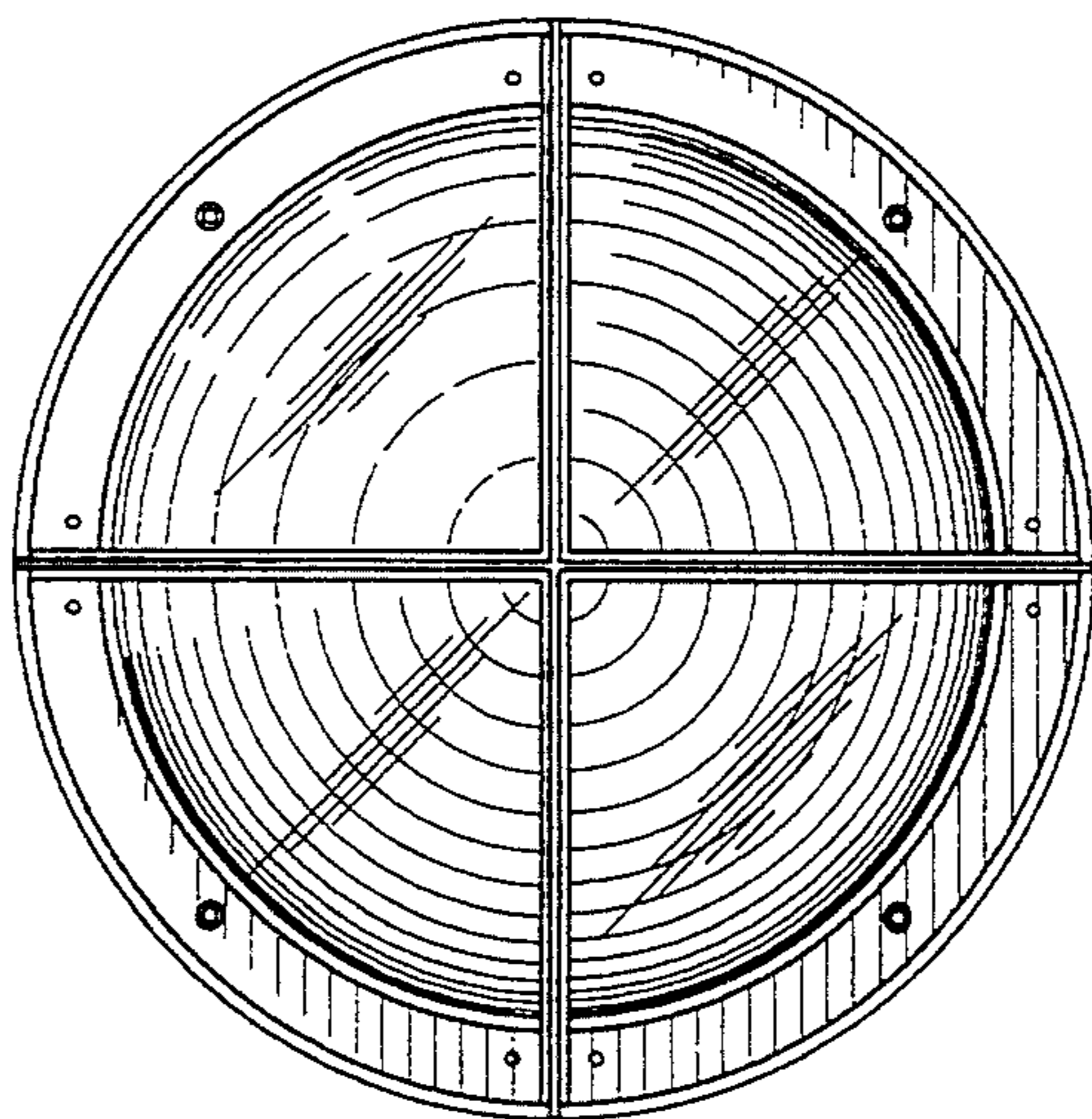


FIG. 84

UNITED STATES PATENT AND TRADEMARK OFFICE
CERTIFICATE OF CORRECTION

PATENT NO. : Des. 361,400
DATED : August 15, 1995
INVENTOR(S) : Wayne W. Compton

It is certified that error appears in the above-identified patent and that said Letters Patent is hereby corrected as shown below:

Title page, Item [73] Assignee should read --Kim Lighting, Inc., City of Industry, Calif.--

Signed and Sealed this
Twelfth Day of March, 1996



BRUCE LEHMAN

Attest:

Attesting Officer

Commissioner of Patents and Trademarks