



US00D361399S

United States Patent [19]

[11] Patent Number: **Des. 361,399**

Carbone et al.

[45] Date of Patent: **** Aug. 15, 1995**

[54] FLASHLIGHT

[75] Inventors: **Richard Carbone, Southbury; Bryan deBlois, West Haven, both of Conn.**

[73] Assignee: **Black & Decker Inc., Newark, Del.**

[**] Term: **14 Years**

[21] Appl. No.: **26,809**

[22] Filed: **Aug. 5, 1994**

[52] U.S. Cl. **D26/43**

[58] Field of Search **D26/37-50;**
362/157, 158, 183, 184, 187-202

4,495,550	1/1985	Visciano .
4,803,605	2/1989	Schallet et al. .
4,839,599	6/1989	Fischer .
4,903,178	2/1990	Englot et al. .
5,103,384	4/1992	Drohan .
5,154,483	3/1992	Glassford .
5,163,752	4/1992	Drohan .
5,268,826	10/1992	Greene .
5,276,596	1/1994	Krenzel .

FOREIGN PATENT DOCUMENTS

004397	11/1984	Germany .
8907549	10/1989	Germany .
9100685	1/1991	Germany .
9307238	9/1993	Germany .
604541	7/1983	Japan .
609211	9/1983	Japan .
644196	1/1985	Japan .
650703	5/1985	Japan .
669446	12/1985	Japan .
670458	1/1986	Japan .
671712	2/1986	Japan .
671733	2/1986	Japan .
671734	2/1986	Japan .
685931	8/1986	Japan .
685936	8/1986	Japan .
685937	8/1986	Japan .
694405	12/1986	Japan .
852350	11/1992	Japan .

[56] References Cited

U.S. PATENT DOCUMENTS

D. 147,258	8/1947	Becker .
D. 152,584	2/1949	Becker .
D. 166,073	3/1952	Dunkelberger .
D. 190,295	5/1961	Becker et al. .
D. 192,935	5/1962	Becker et al. .
D. 240,322	6/1976	Staub .
D. 281,820	12/1985	Oba et al. .
D. 283,645	4/1986	Tanaka et al. .
D. 291,010	7/1987	Fenne .
D. 292,131	9/1987	Fenne .
D. 296,478	6/1988	Powell et al. .
D. 302,325	7/1989	Charet et al. .
D. 304,089	10/1989	Wan .
D. 306,351	2/1990	Charet et al. .
D. 314,246	1/1991	Bache .
D. 321,062	10/1991	Bonbright .
D. 322,681	12/1991	Yuen .
D. 328,146	7/1992	Sinsteden .
D. 329,504	9/1992	Yuen .
D. 334,822	4/1993	Antognazza .
D. 337,839	7/1993	Zeller .
D. 338,542	8/1993	Yuen .
D. 341,220	11/1993	Eagan .
D. 345,811	4/1994	Van Deursen .
1,692,394	11/1928	Sundh 362/198
2,467,954	4/1949	Becker .
2,581,129	1/1952	Muldoon .
2,648,762	8/1953	Dunkelberger .
3,103,723	9/1963	Becker .
3,111,277	11/1963	Grimsley .
3,393,311	7/1968	Dahl .
3,393,312	7/1968	Dahl .
3,731,084	5/1973	Trevorrow .

OTHER PUBLICATIONS

PS For Kids—Editors of Popular Science Magazine pp. 28 and 29 Fall-1992.

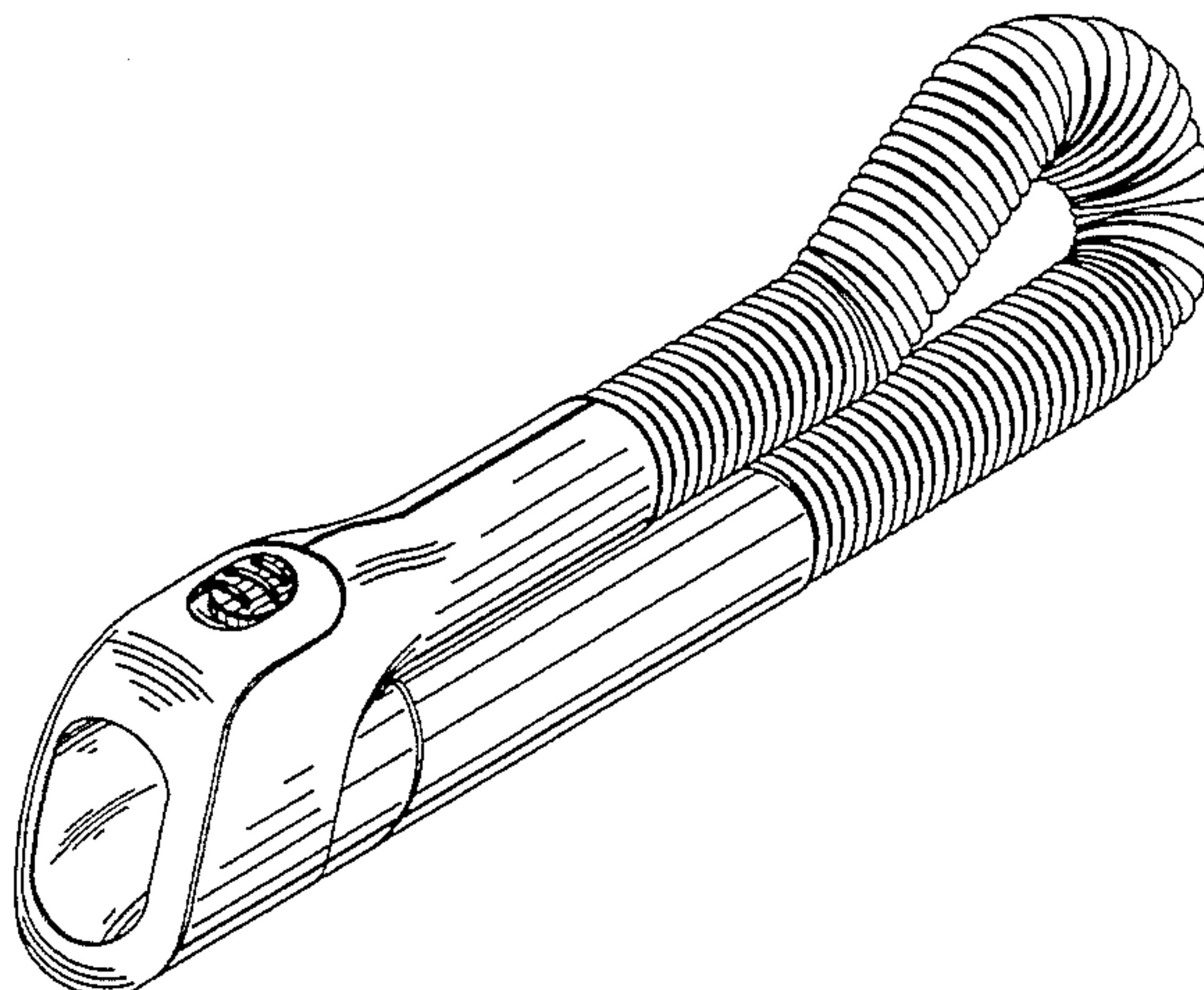
Primary Examiner—Susan J. Lucas
Attorney, Agent, or Firm—Barry E. Deutsch

[57] CLAIM

The ornamental design for a flashlight, as shown and described.

DESCRIPTION

FIG. 1 is a perspective view taken from the front, top, and right side of a flashlight showing our new design; FIG. 2 is a right side elevational view thereof; FIG. 3 is a left side elevational view thereof; FIG. 4 is a top plan view thereof; FIG. 5 is a bottom plan view thereof; FIG. 6 is a front elevational view thereof; and, FIG. 7 is a rear elevational view thereof.



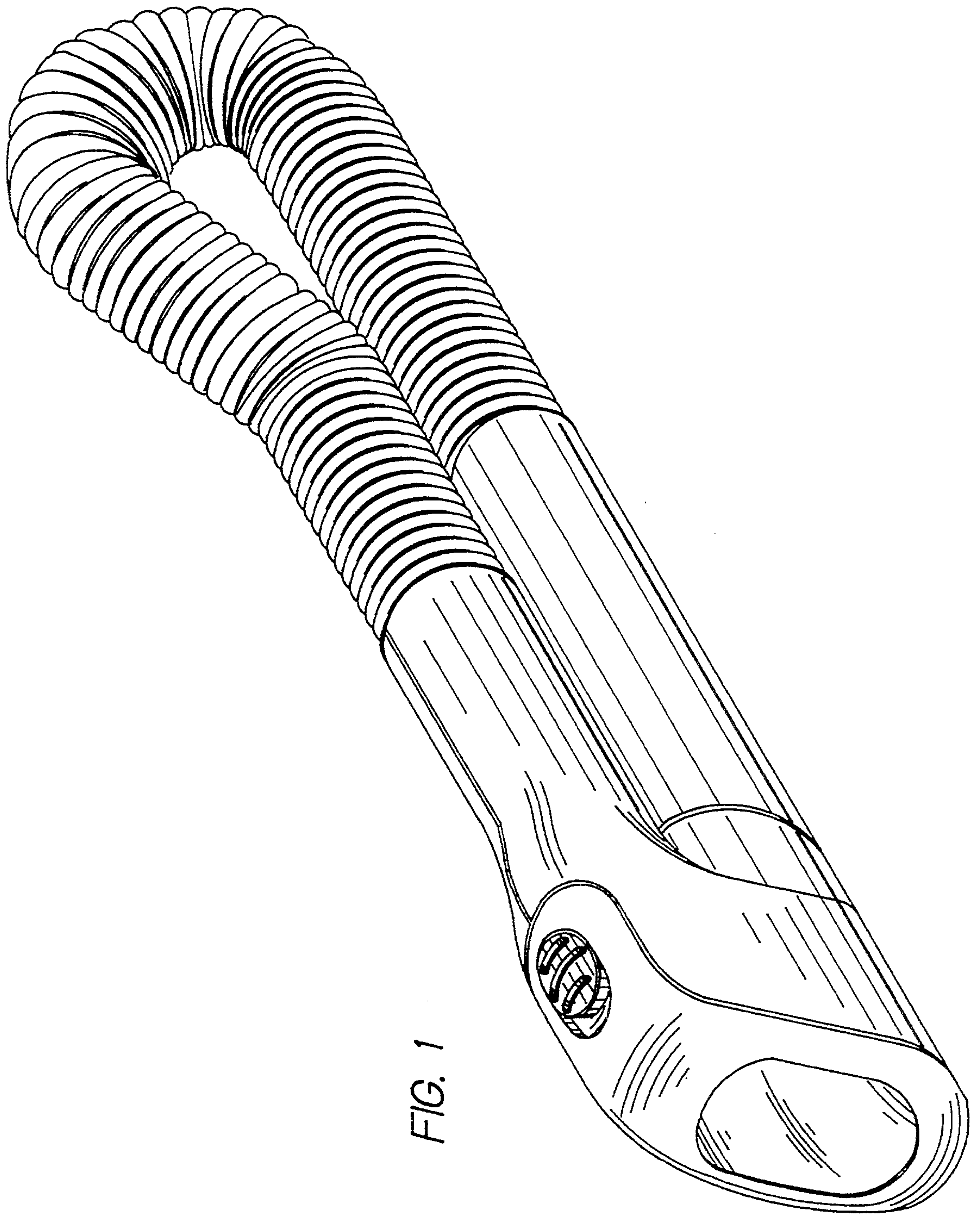


FIG. 1

FIG. 2

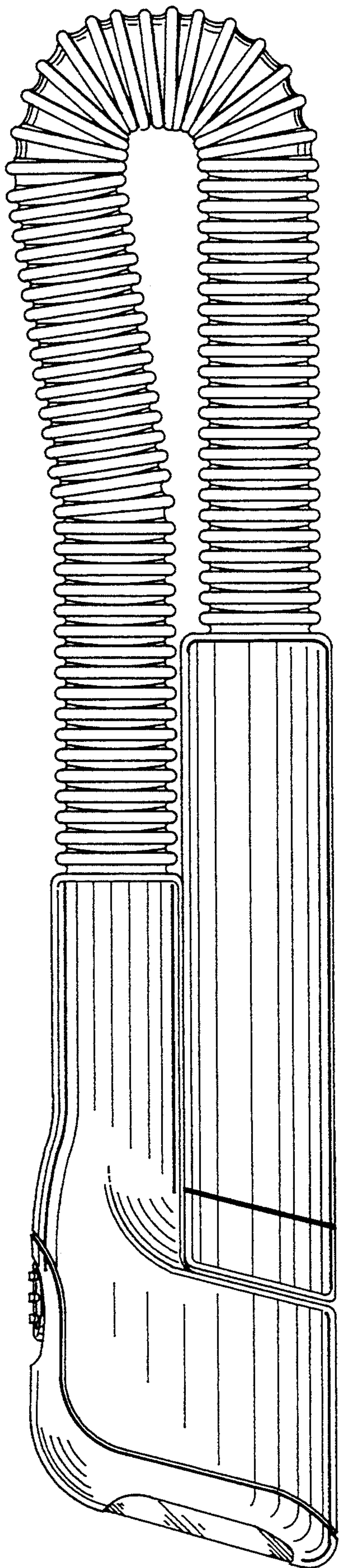


FIG 3

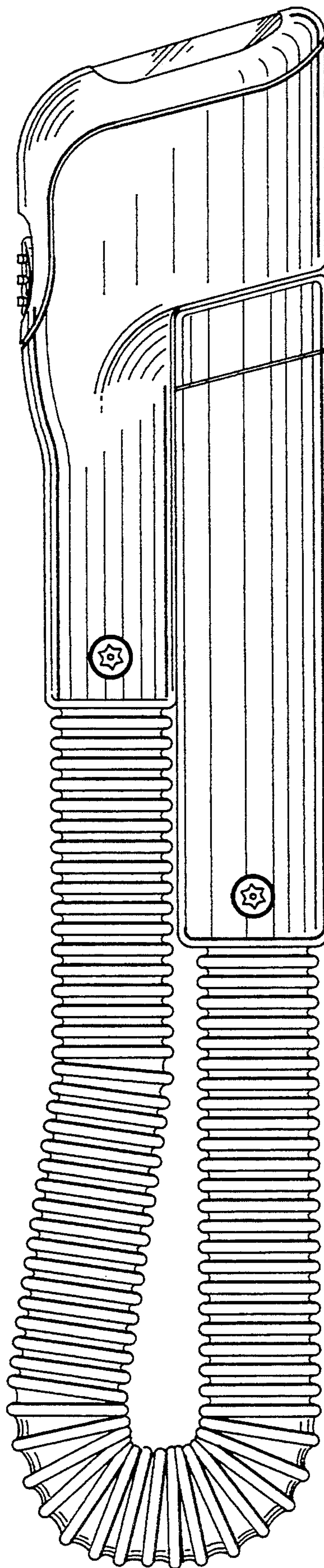


FIG. 4

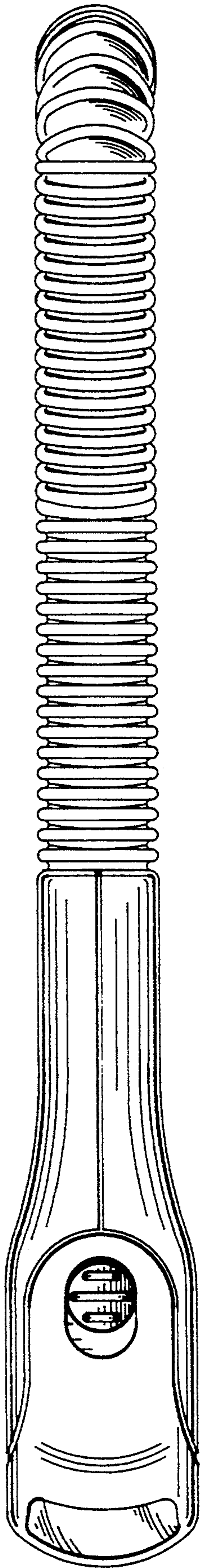


FIG. 5

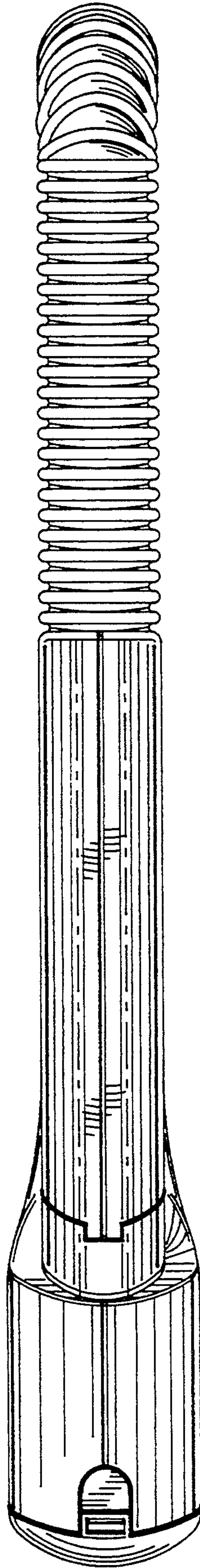


FIG. 6

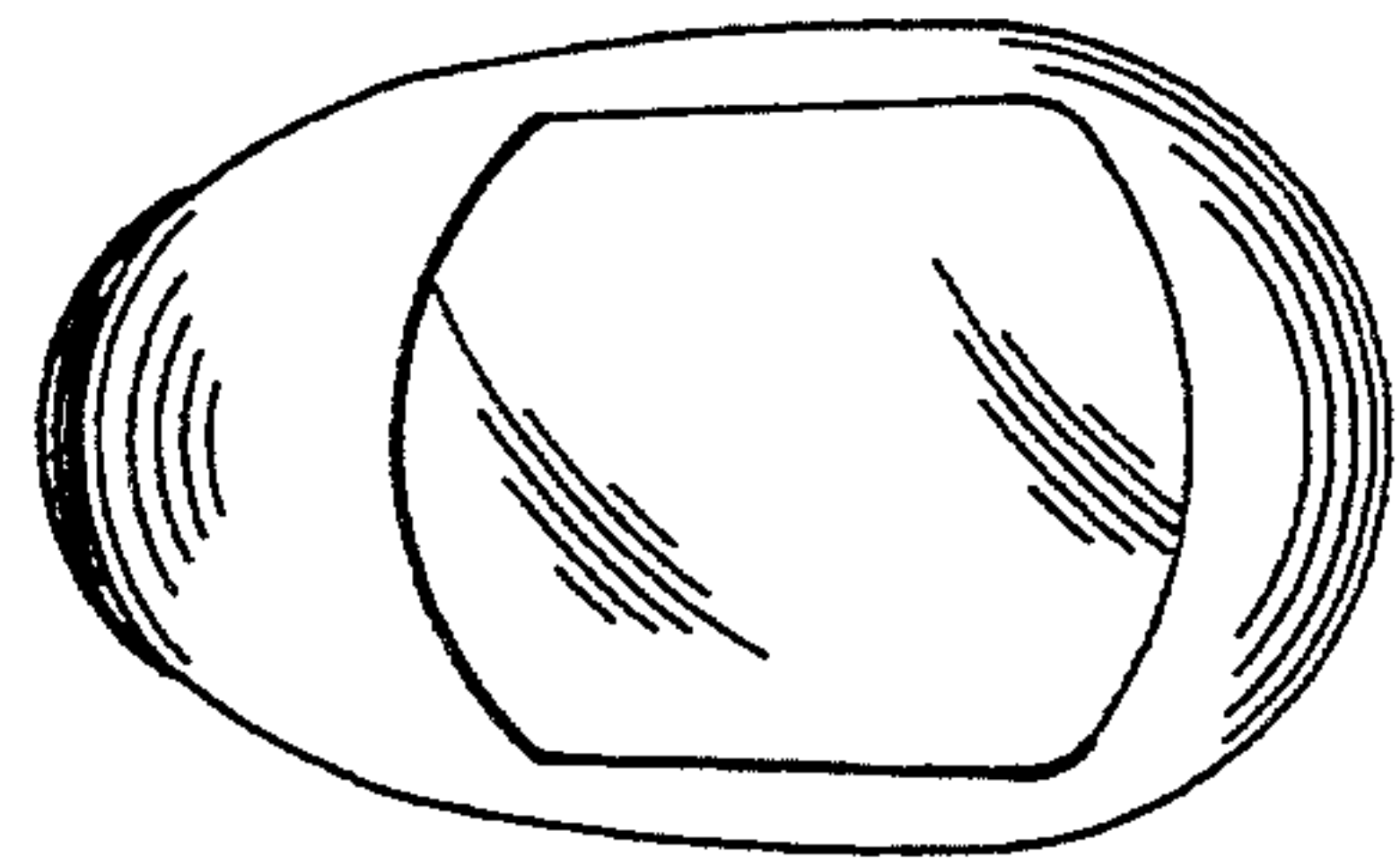


FIG. 7

