



US00D361397S

United States Patent [19]

[11] Patent Number: **Des. 361,397**

Huang

[45] Date of Patent: **** Aug. 15, 1995**

[54] **SEARCHLIGHT FOR DIVING USE**

[76] Inventor: **Ming-Chou Huang**, No. 16, Lane 43, Hua Cheng Road, Hsin Chuang, Taipei Hsien, Taiwan

[**] Term: **14 Years**

[21] Appl. No.: **20,123**

[22] Filed: **Mar. 18, 1994**

[52] U.S. Cl. **D26/45**

[58] Field of Search **D26/37-50;**
362/109, 136, 156-158, 163, 171-173, 178,
181-183, 188-189, 192, 194, 196-197, 200-206,
257, 261-262

[56] **References Cited**

U.S. PATENT DOCUMENTS

D. 204,412	4/1966	Abrams	D26/45
D. 217,980	7/1970	Chee	D26/45
D. 245,282	8/1977	Brinkmann	D26/45
D. 300,470	3/1989	Schmidt	D26/45
D. 342,582	12/1993	Young	D26/45

2,784,305	3/1957	Lawson et al.	D26/45
3,065,352	11/1962	McFarlane	D26/45

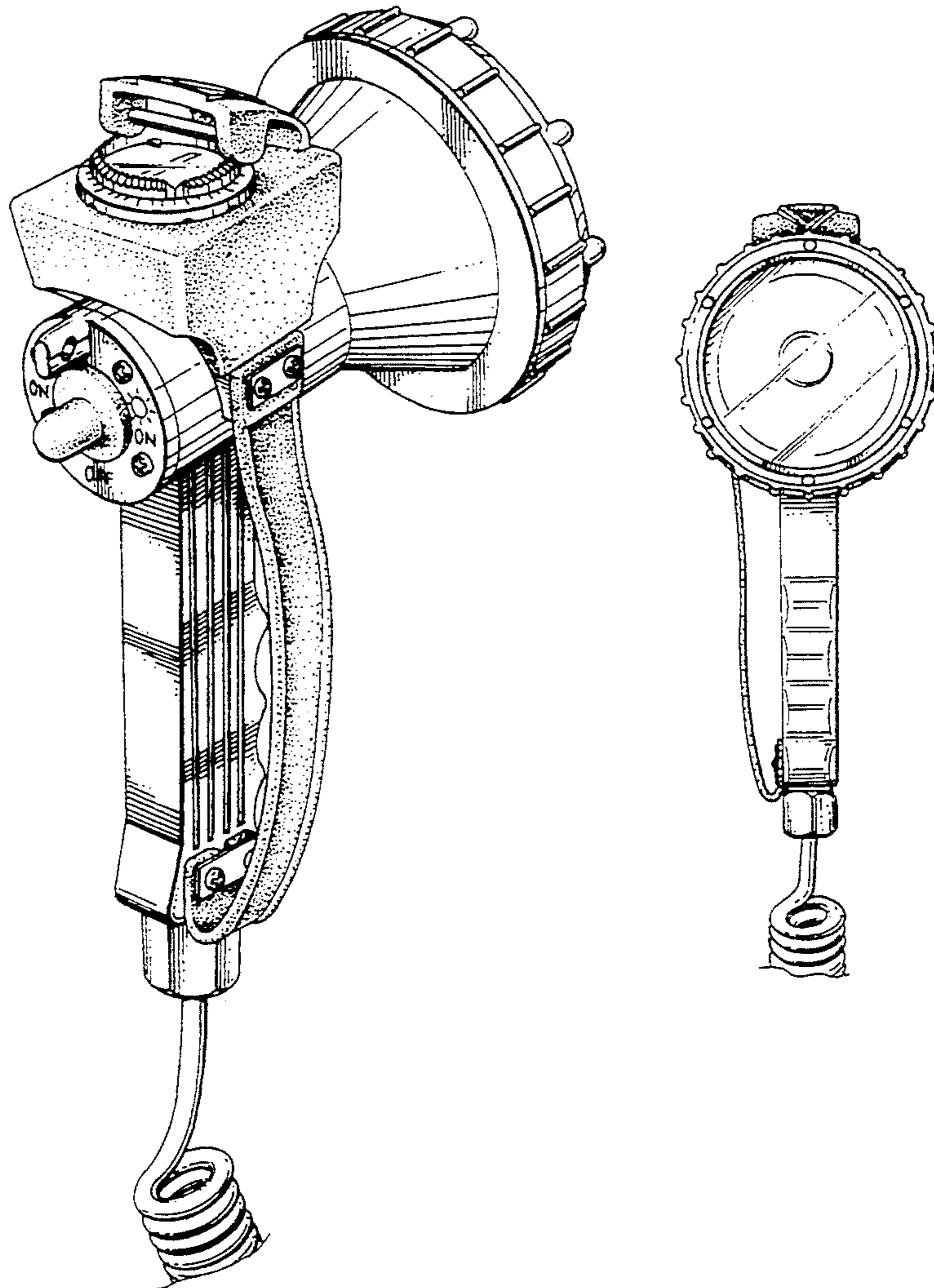
Primary Examiner—Brian N. Vinson
Assistant Examiner—Robin V. Taylor
Attorney, Agent, or Firm—Jacobson, Price, Holman & Stern

[57] **CLAIM**

The ornamental design for a searchlight for diving use, as shown and described.

DESCRIPTION

FIG. 1 is a perspective view of a searchlight for diving use showing my new design;
FIG. 2 is a front elevational view thereof;
FIG. 3 is a rear elevational view thereof;
FIG. 4 is a left side elevational view thereof;
FIG. 5 is a right side elevational view thereof;
FIG. 6 is a top plan view thereof; and,
FIG. 7 is a bottom plan view thereof.
The cord is shown broken-away to indicate indeterminate length.



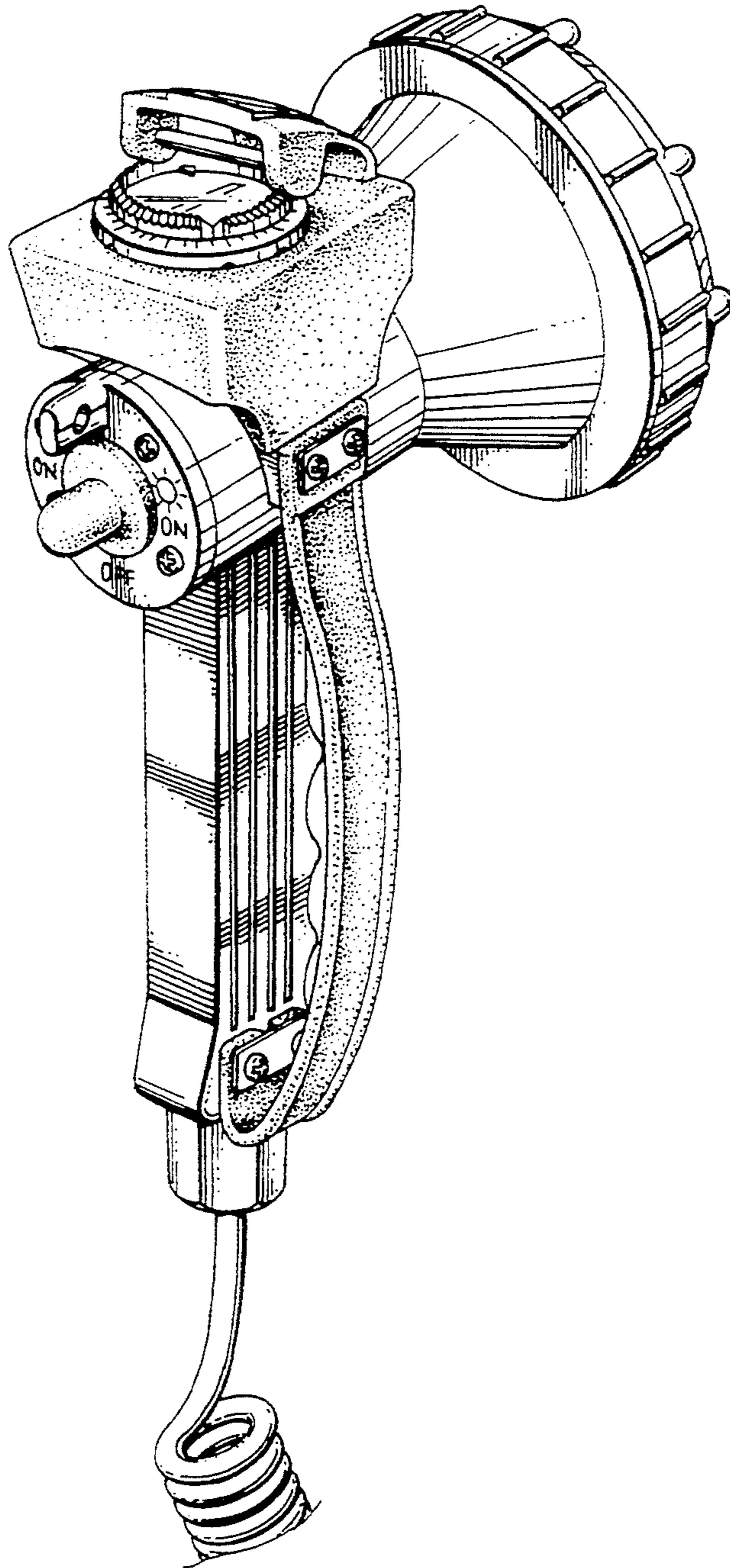


FIG. 1

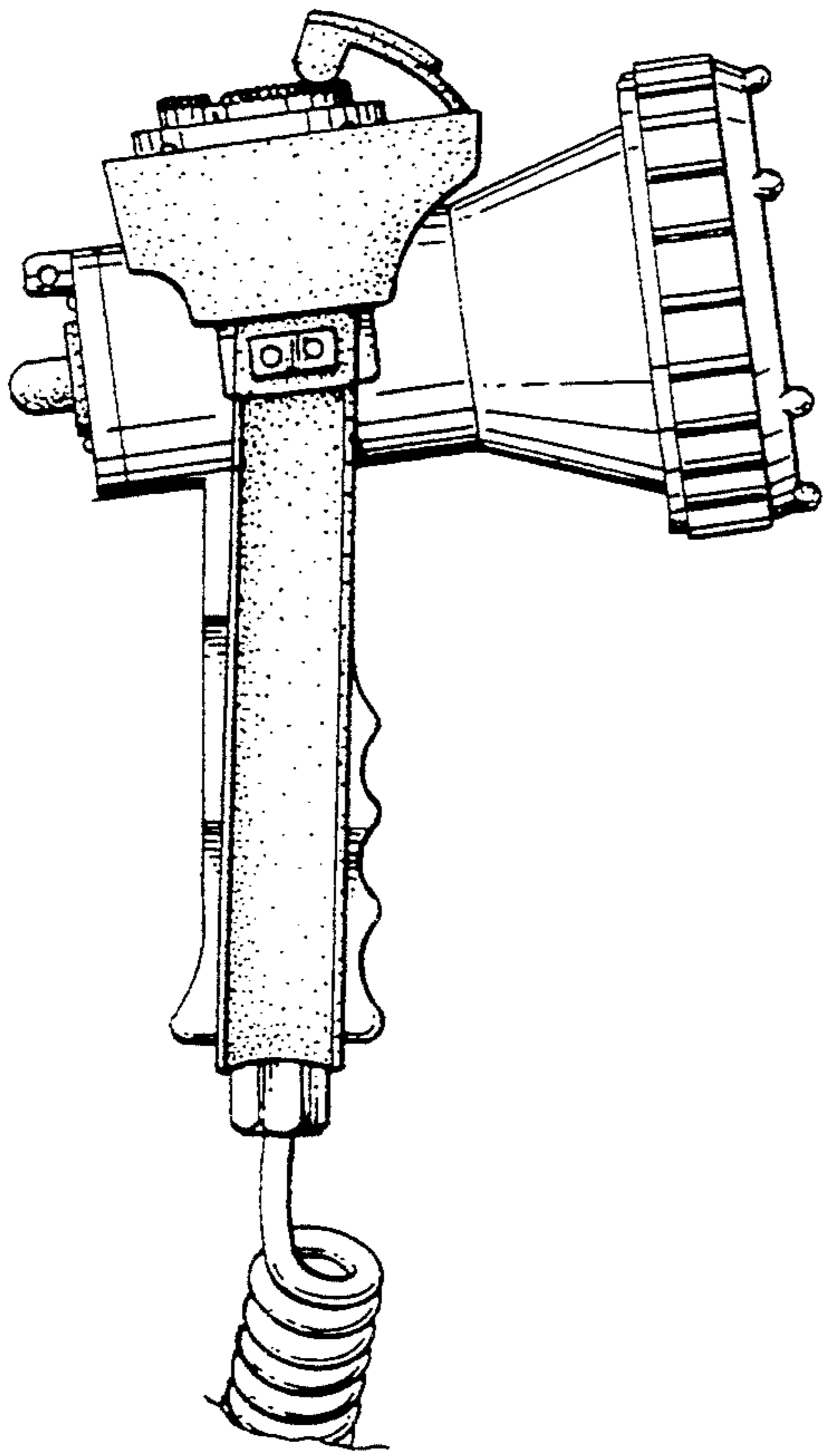


FIG. 2

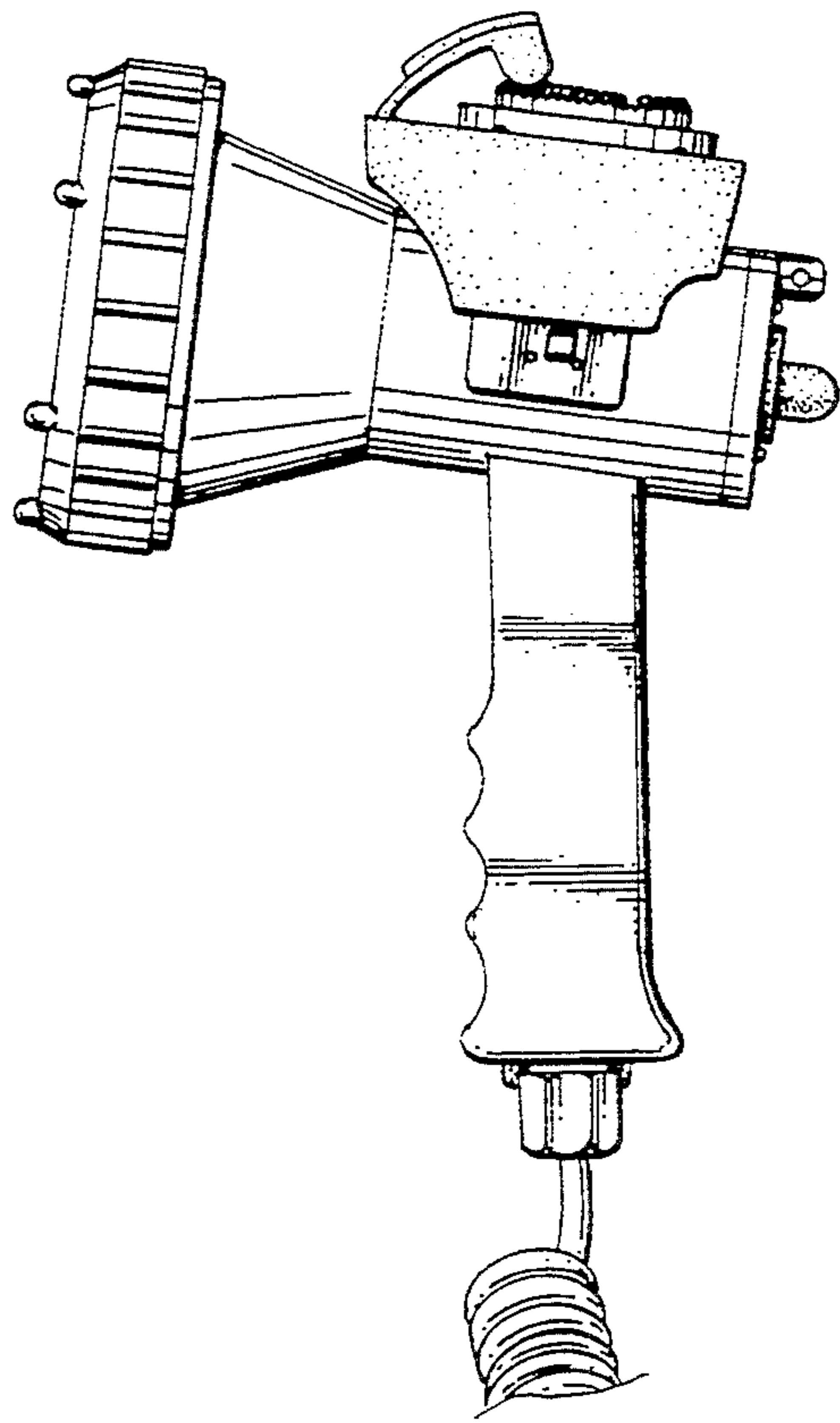


FIG. 3

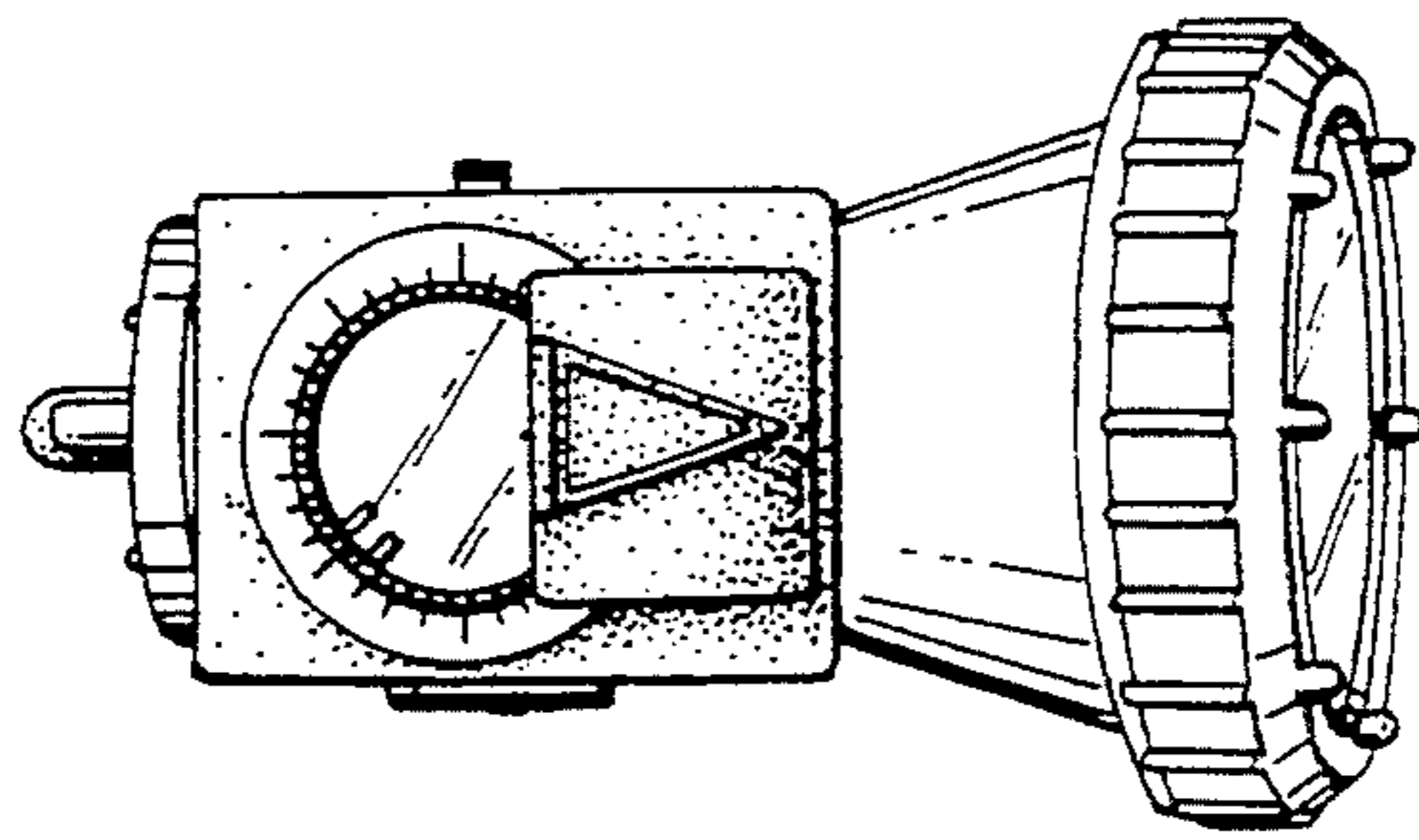


FIG. 6

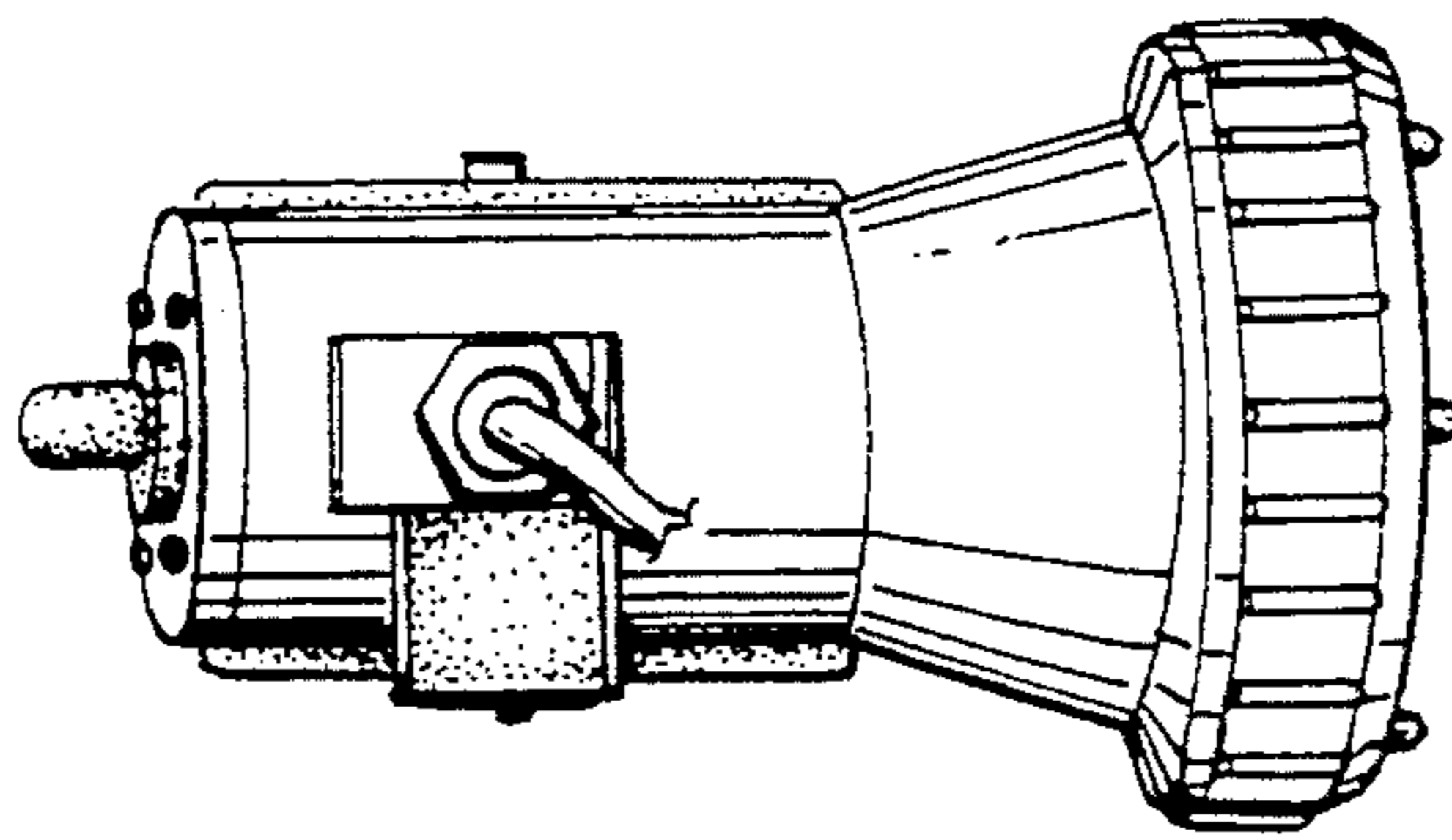


FIG. 7

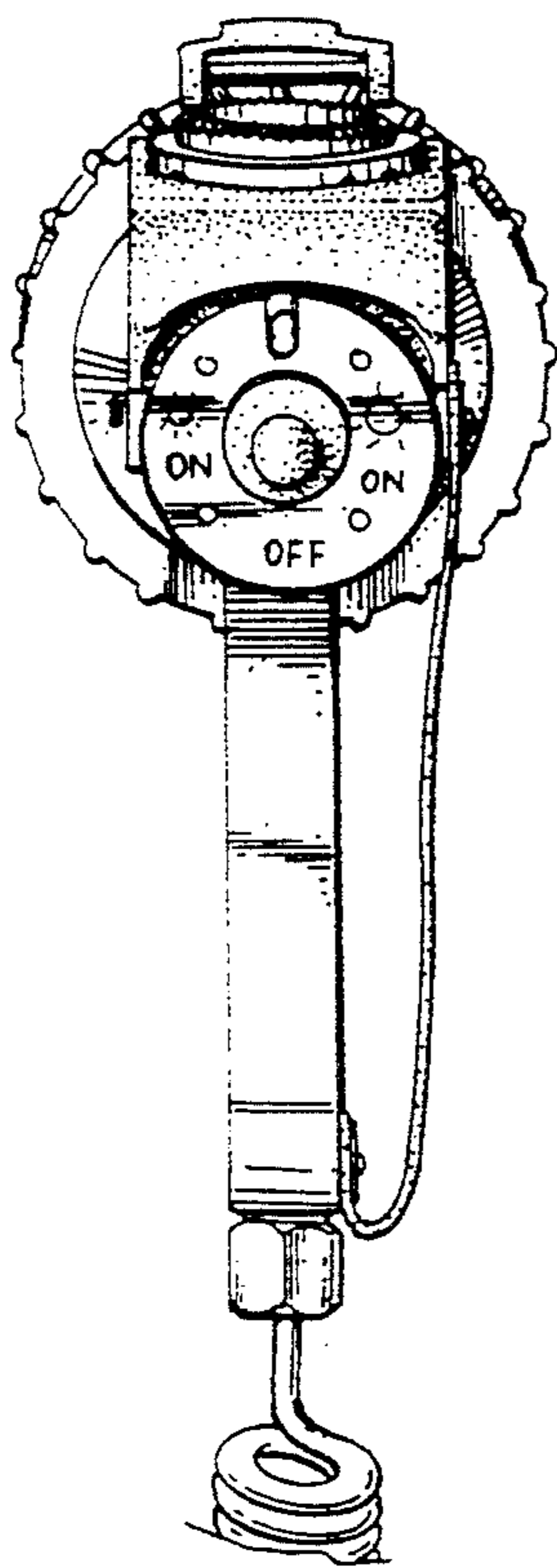


FIG. 4

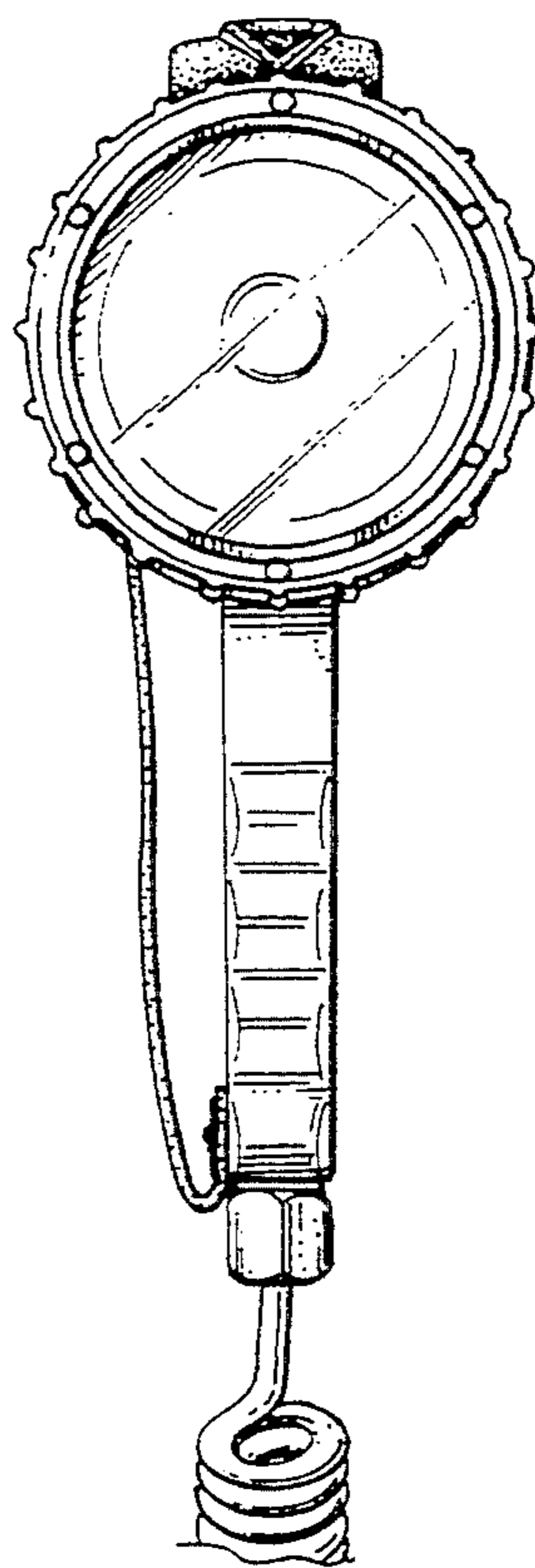


FIG. 5