



US00D361395S

# United States Patent [19]

[11] Patent Number: **Des. 361,395**

Mendel

[45] Date of Patent: **\*\* Aug. 15, 1995**

[54] **VEHICLE BRAKE LIGHT**

D. 321,944 11/1991 Malmgren et al. .... D26/28

[76] Inventor: **Robert R. Mendel**, 54 1/2 N. Summer St., Adams, Mass. 01220-1563

*Primary Examiner*—A. Hugo Word  
*Assistant Examiner*—Marcus Jackson  
*Attorney, Agent, or Firm*—Harpman & Harpman

[\*\*] Term: **14 Years**

[57] **CLAIM**

[21] Appl. No.: **27,774**

The ornamental design for a vehicle brake light, as shown and described.

[22] Filed: **Aug. 31, 1994**

[52] U.S. Cl. .... **D26/28**

[58] Field of Search ..... D26/28-36,  
D26/120, 122; 362/61, 62, 80, 80.1, 81, 82, 83,  
83.2, 83.3, 267, 326, 334

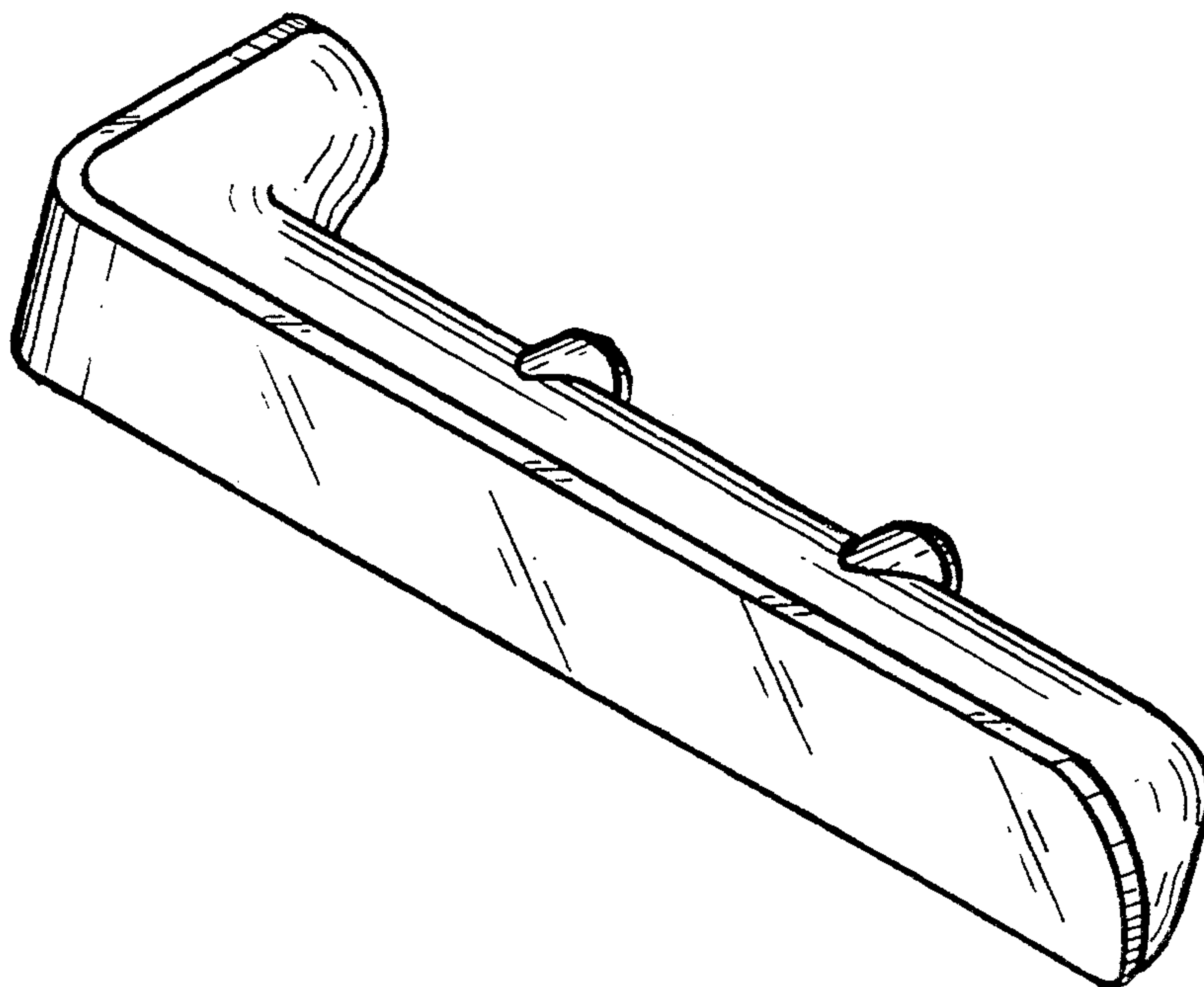
**DESCRIPTION**

FIG. 1 is a perspective view of a vehicle brake light showing my new design;  
FIG. 2 is a front elevational view thereof;  
FIG. 3 is a rear elevational view thereof;  
FIG. 4 is a right side elevational view thereof;  
FIG. 5 is a left side elevational view thereof;  
FIG. 6 is a top plan view thereof; and,  
FIG. 7 is a bottom view thereof.

[56] **References Cited**

**U.S. PATENT DOCUMENTS**

- D. 305,939 2/1990 Iwagami ..... D26/28
- D. 317,658 6/1991 Okano ..... D26/28
- D. 321,943 11/1991 Malmgren et al. .... D26/28



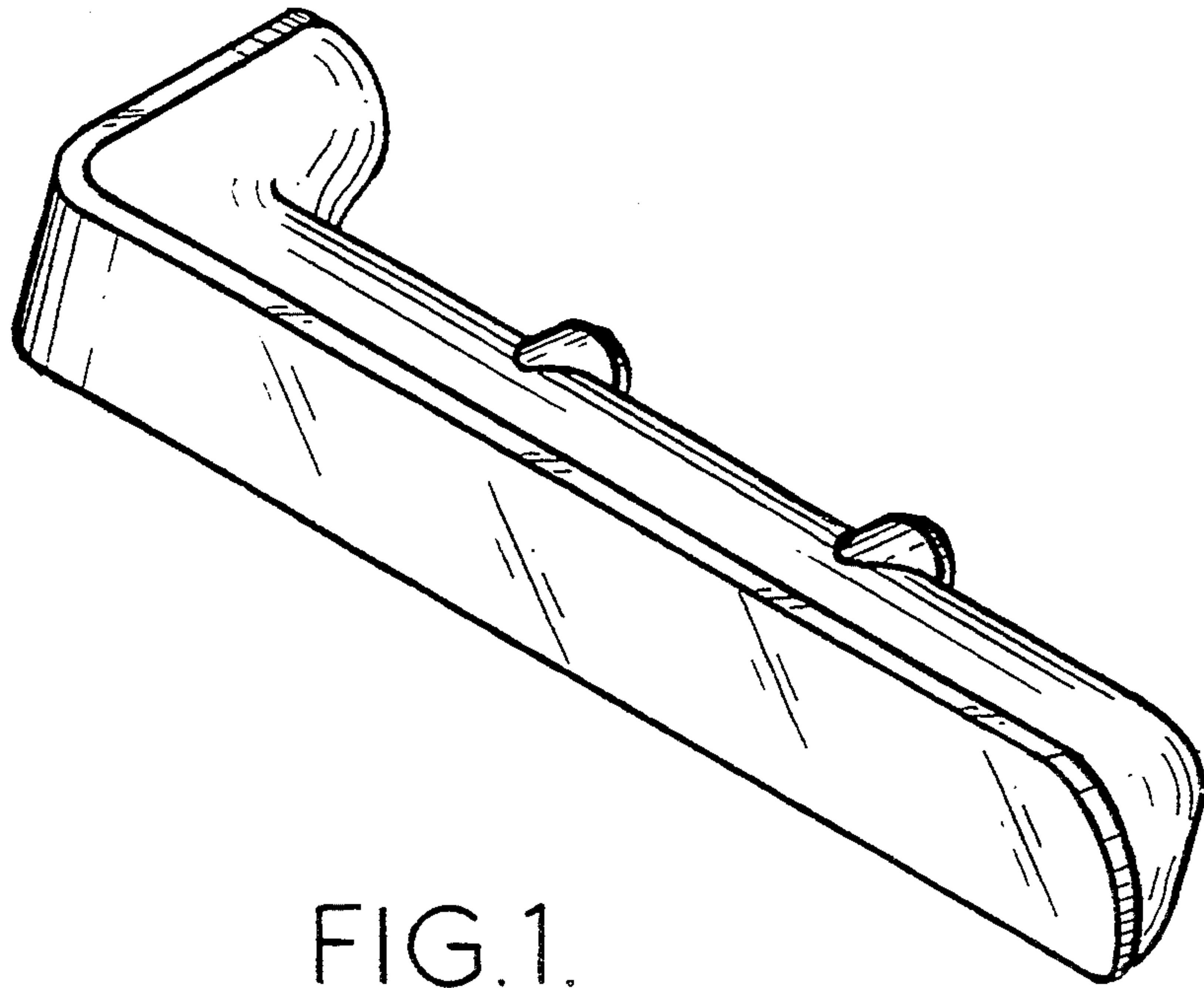


FIG. 1.



FIG. 2.

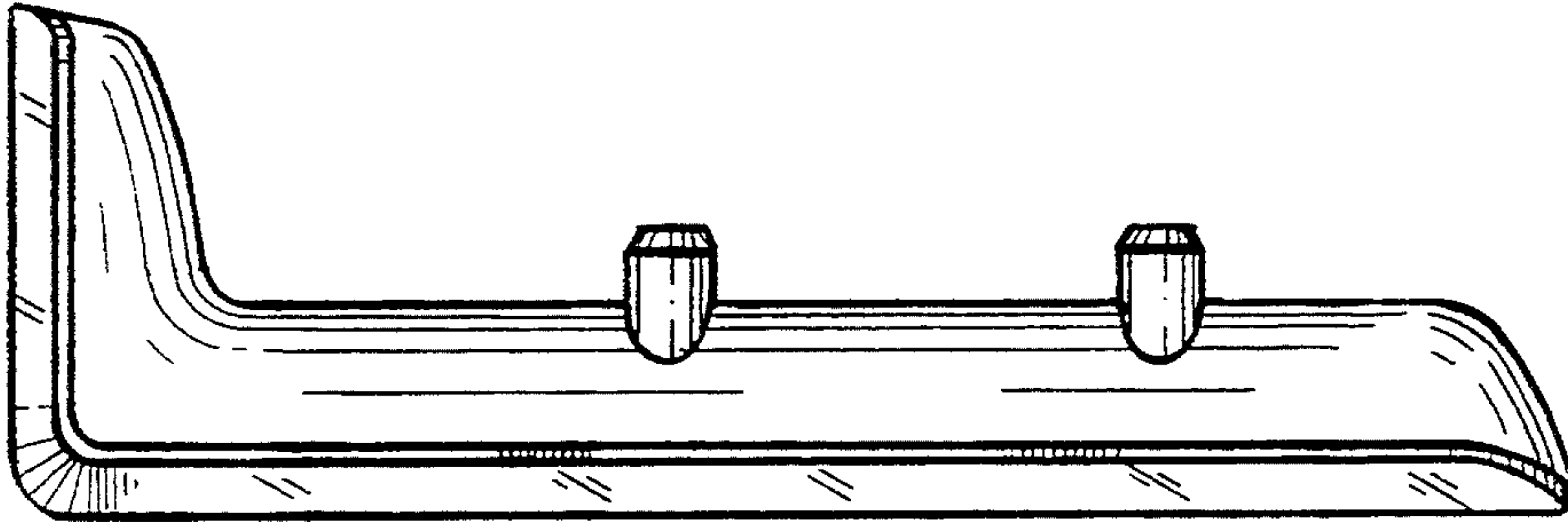


FIG. 6.

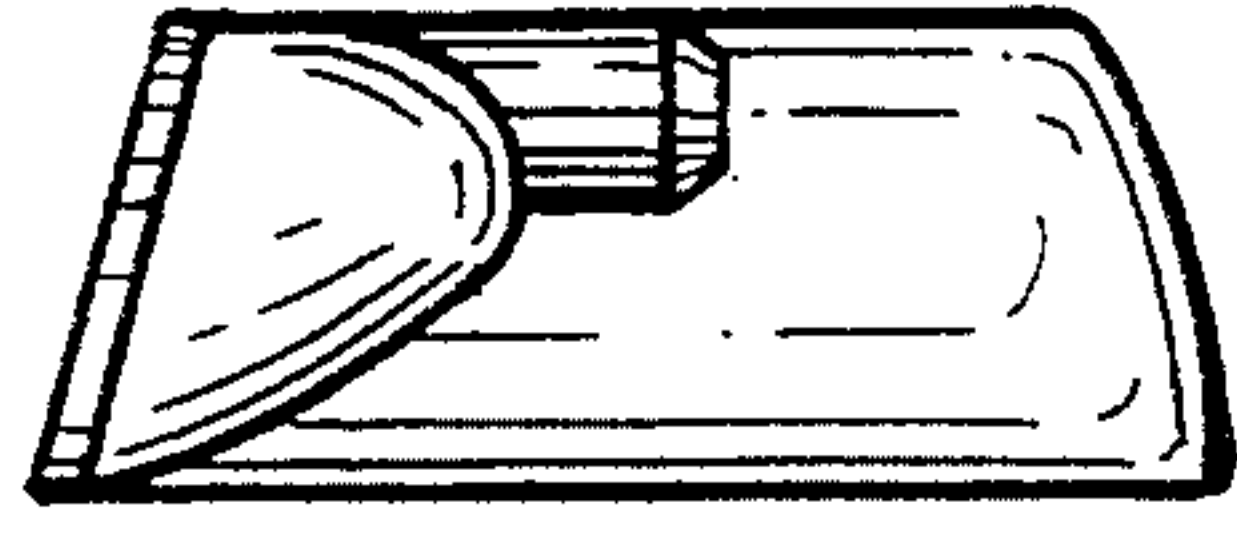


FIG. 4.



FIG. 3.

FIG. 7.

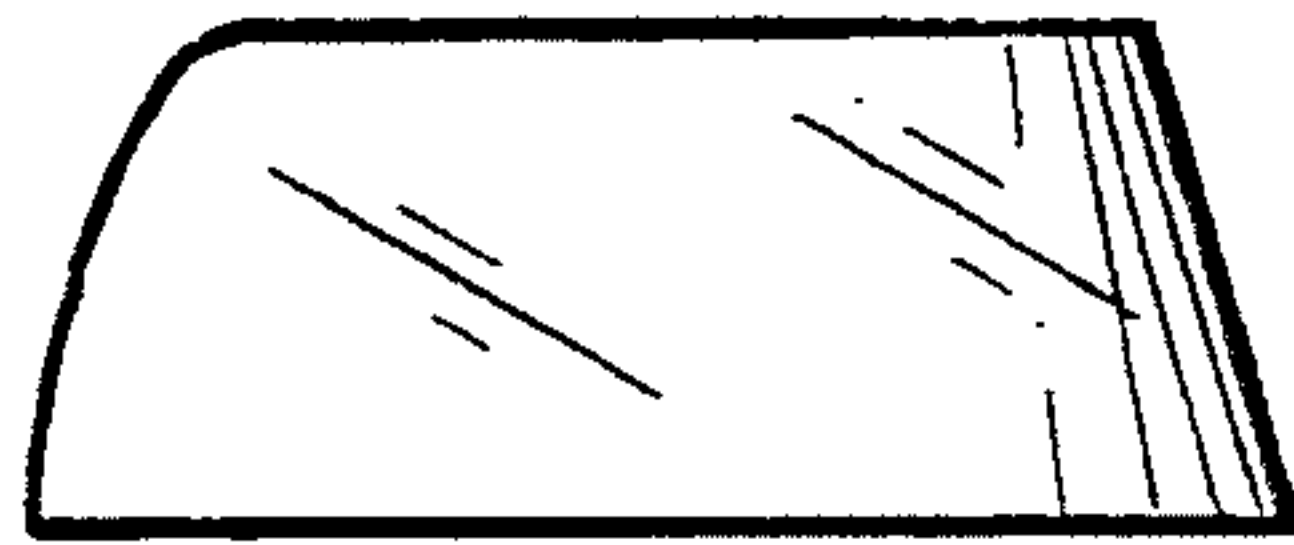
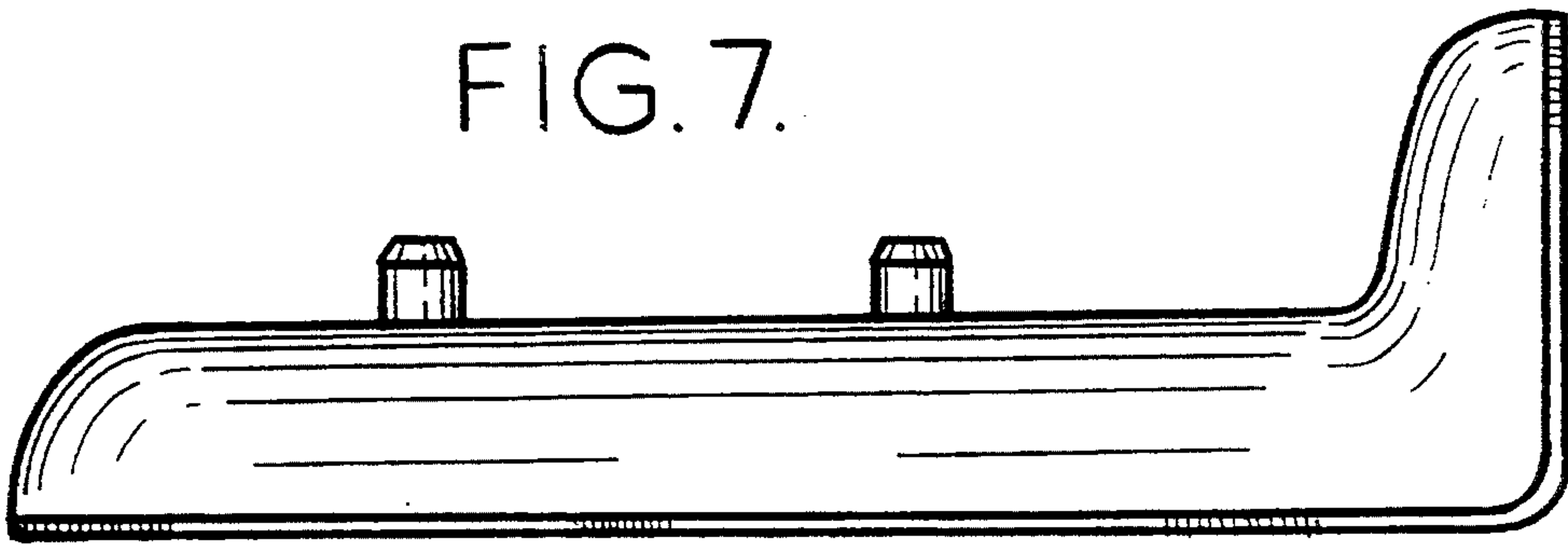


FIG. 5.