



US00D361393S

# United States Patent [19]

[11] Patent Number: **Des. 361,393**

Vakil

[45] Date of Patent: **\*\* Aug. 15, 1995**

[54] **COMBINED FLUORESCENT LIGHT ADAPTOR AND RING TUBE HOLDER**

[75] Inventor: **Usman Vakil**, Walnut, Calif.

[73] Assignee: **Lights of America, Inc.**, Walnut, Calif.

[\*\*] Term: **14 Years**

[21] Appl. No.: **27,862**

[22] Filed: **Aug. 31, 1994**

[52] U.S. Cl. .... **D26/3**

[58] Field of Search ..... D26/2, 3, 26, 75, 79; D13/25; 313/110, 318, 493, 634; 315/41, 53, 56, 59, 62, 65, 70, 75; 362/216, 226

[56] **References Cited**

**U.S. PATENT DOCUMENTS**

D. 262,405	12/1981	Zabransky .....	D26/2
D. 275,949	10/1984	Vakil .....	D26/3
D. 302,860	8/1989	Anema .....	D26/2
D. 321,501	11/1991	Ilemo .....	D26/3
D. 349,775	8/1994	Shalvi .....	D26/3
4,173,730	11/1979	Young et al. ....	315/53

*Primary Examiner*—A. Hugo Word  
*Assistant Examiner*—Marcus Jackson  
*Attorney, Agent, or Firm*—Graham & James

[57] **CLAIM**

The ornamental design for combined fluorescent light adaptor and ring tube holder, as shown and described.

**DESCRIPTION**

FIG. 1 is a perspective view of a combined fluorescent light adaptor and ring tube holder showing my new design;

FIG. 2 is a side elevational view thereof, with the opposite sides being a mirror image, and with the ring tube holder omitted for clarity of illustration only;

FIG. 3 is a top plan view thereof;

FIG. 4 is a bottom plan view thereof;

FIG. 5 is a side elevational view thereof, with the opposite side being a mirror image, and with the fluorescent light adaptor omitted for clarity of illustration only;

FIG. 6 is a top plan view thereof;

FIG. 7 is a front elevational view view thereof, with the rear being a mirror image;

FIG. 8 is a bottom plan view thereof;

FIG. 9 is an exploded perspective view thereof.

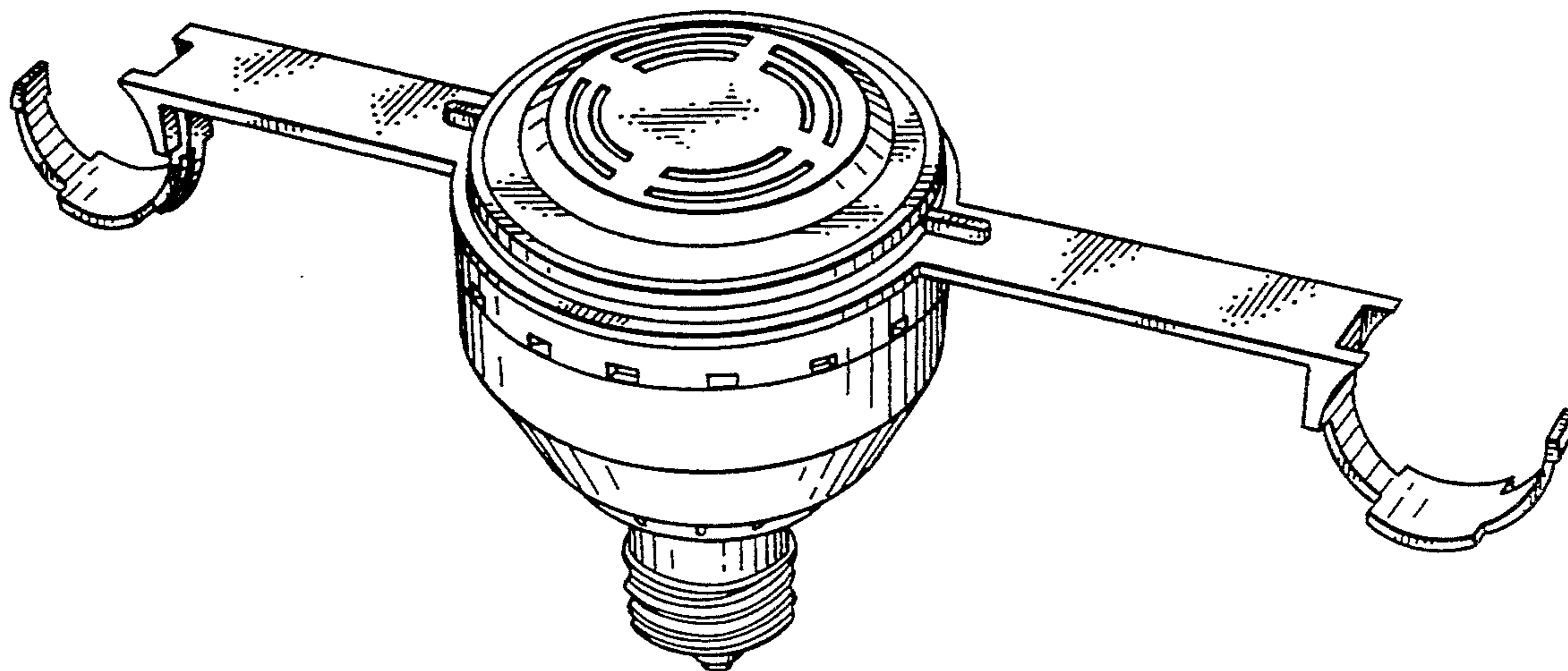


FIG. 1

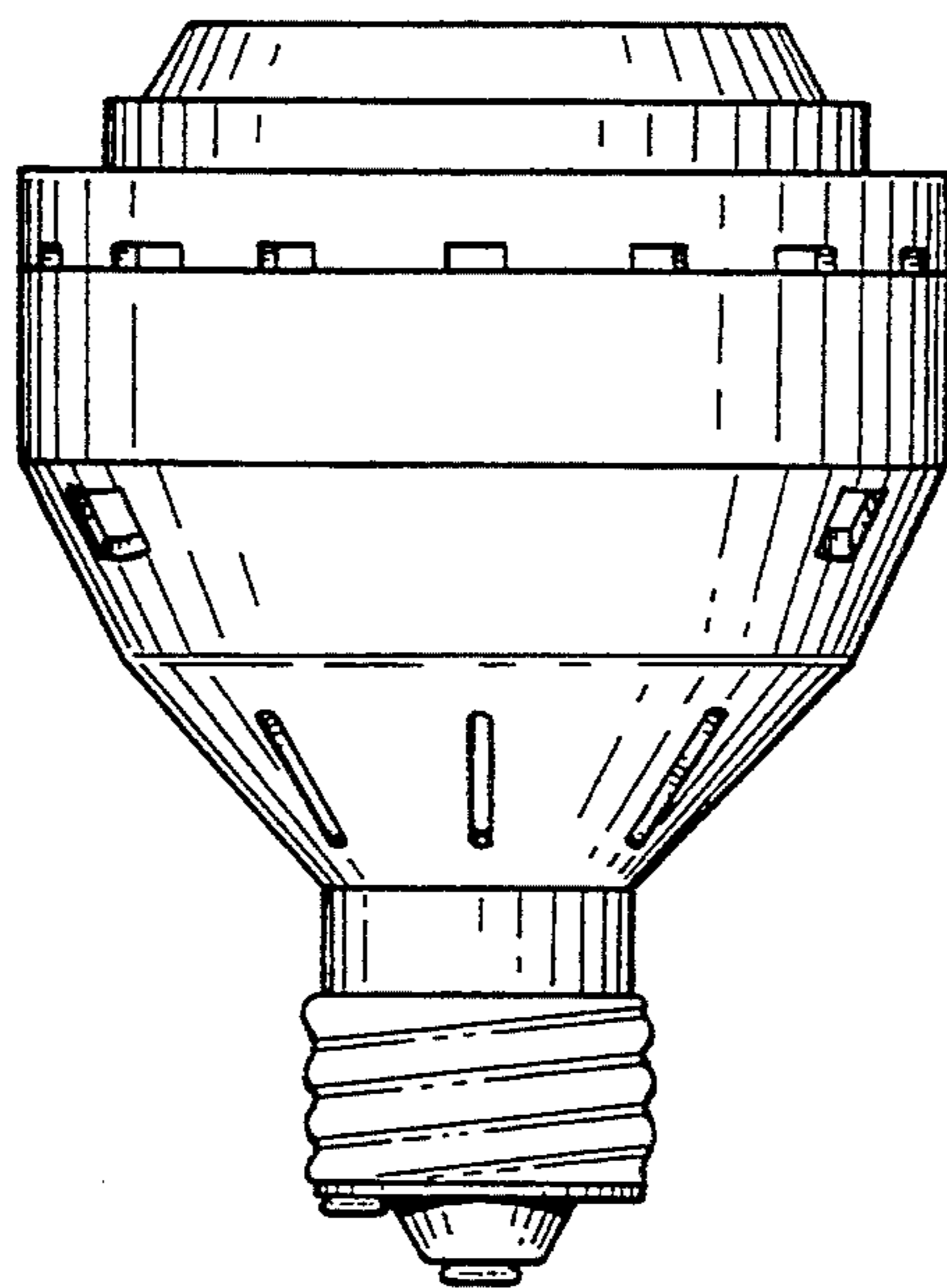
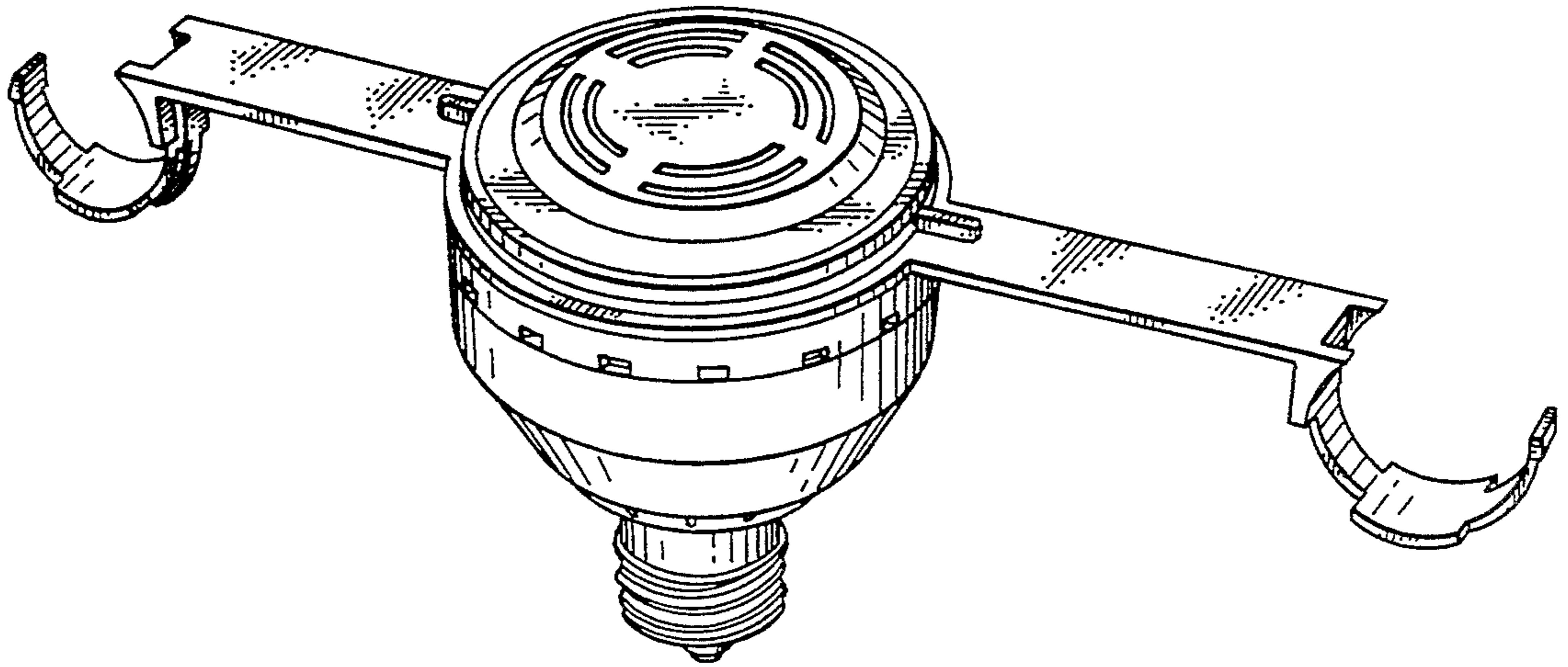


FIG. 2

FIG. 3

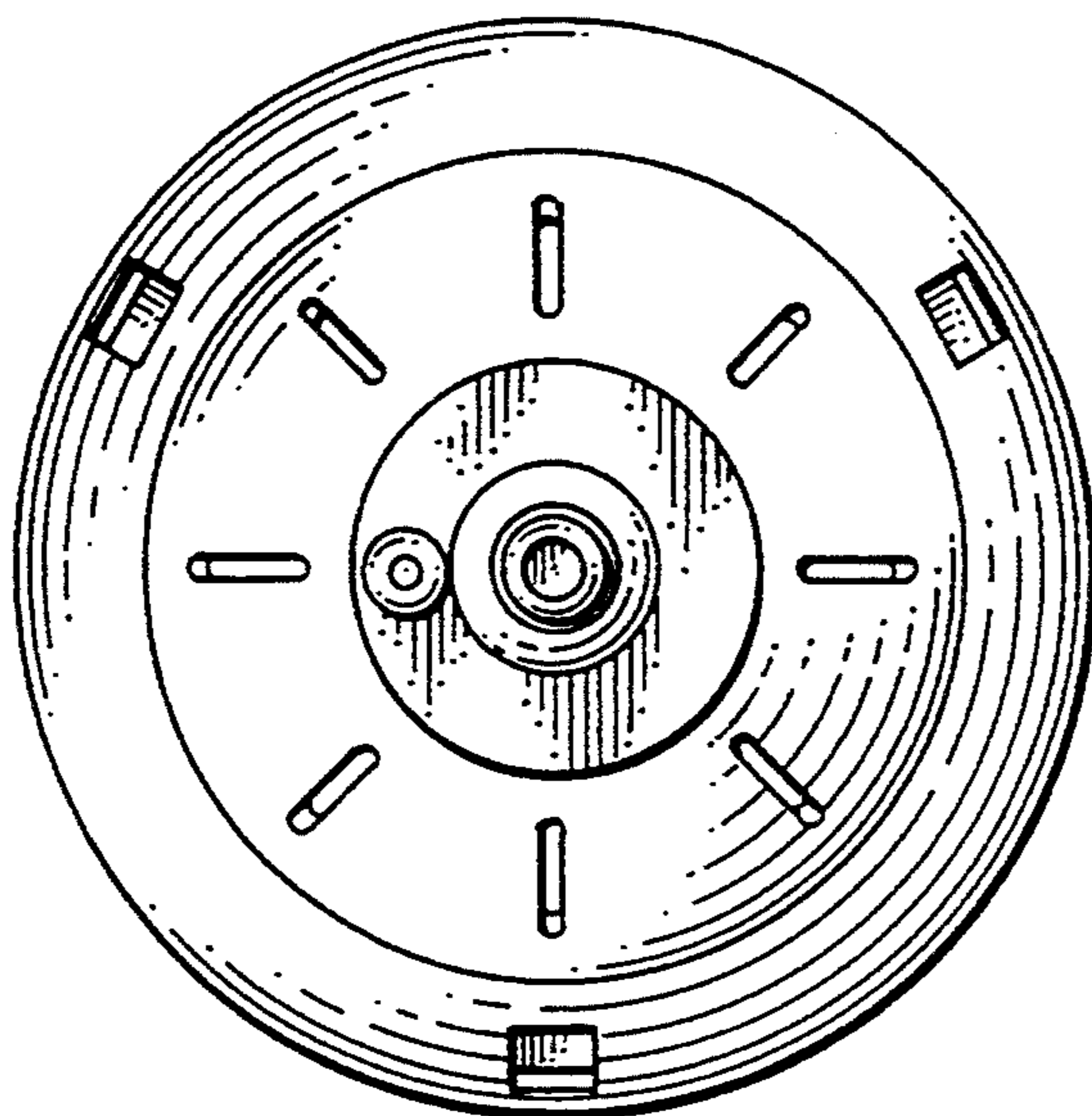
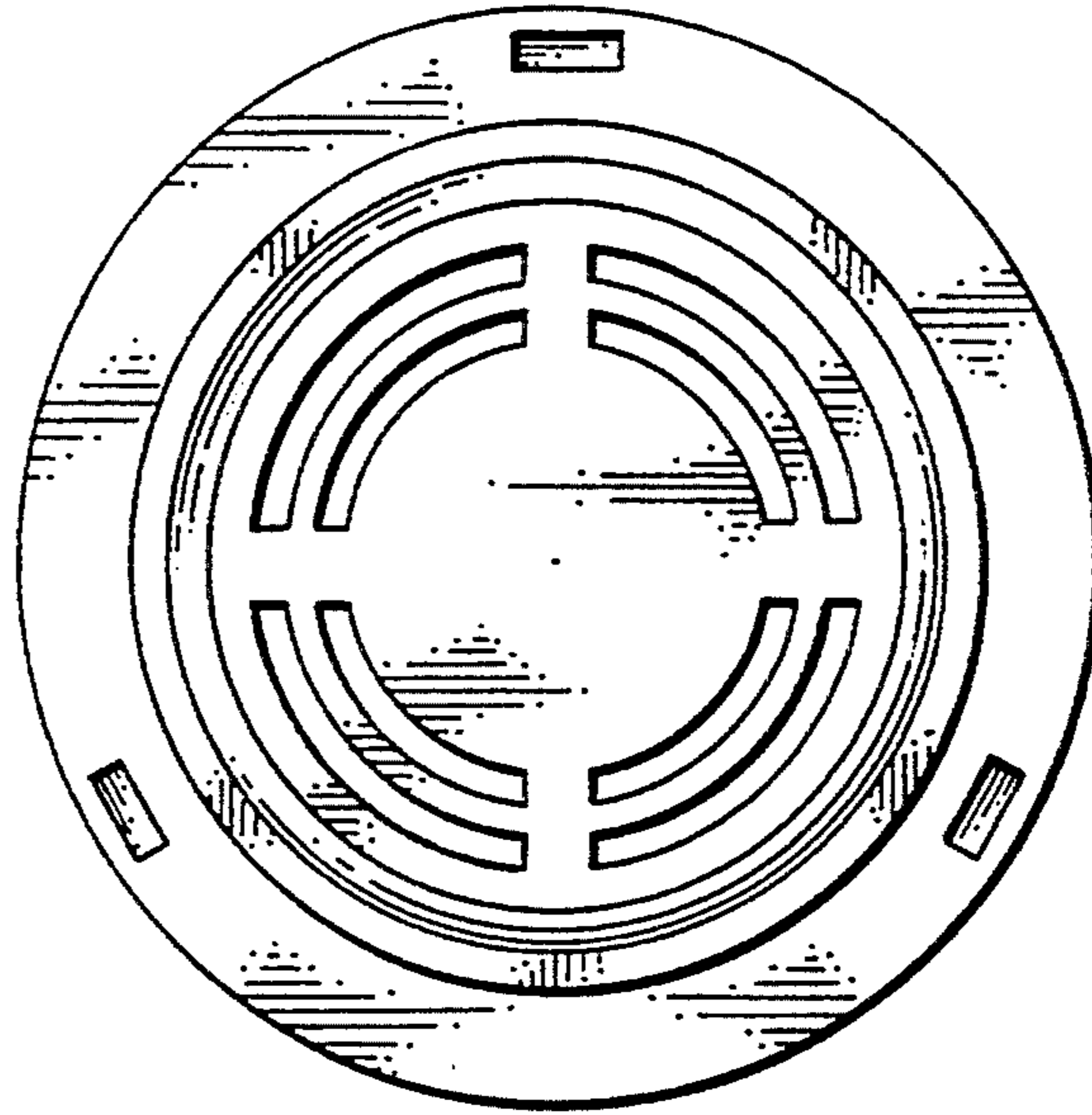


FIG. 4

FIG. 5

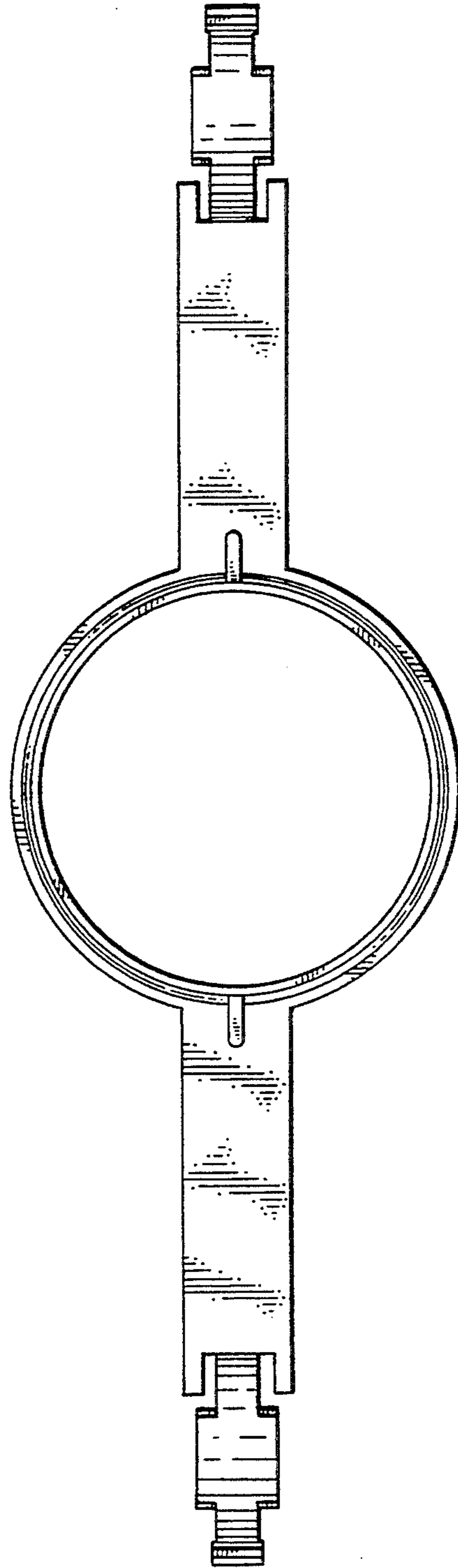
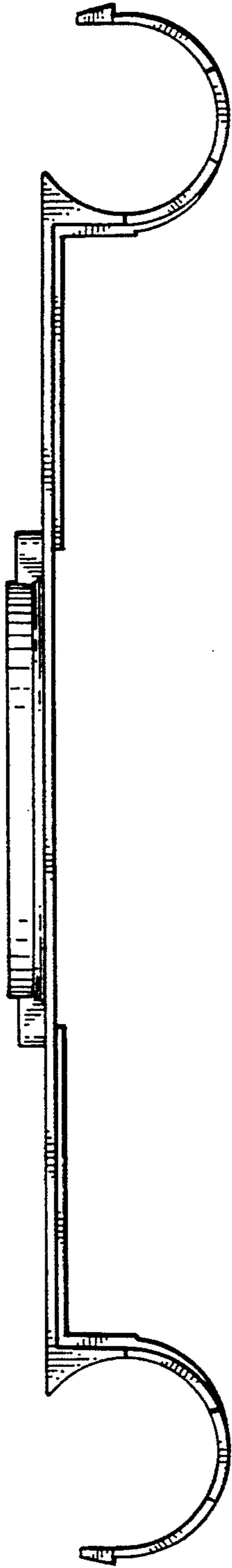


FIG. 6

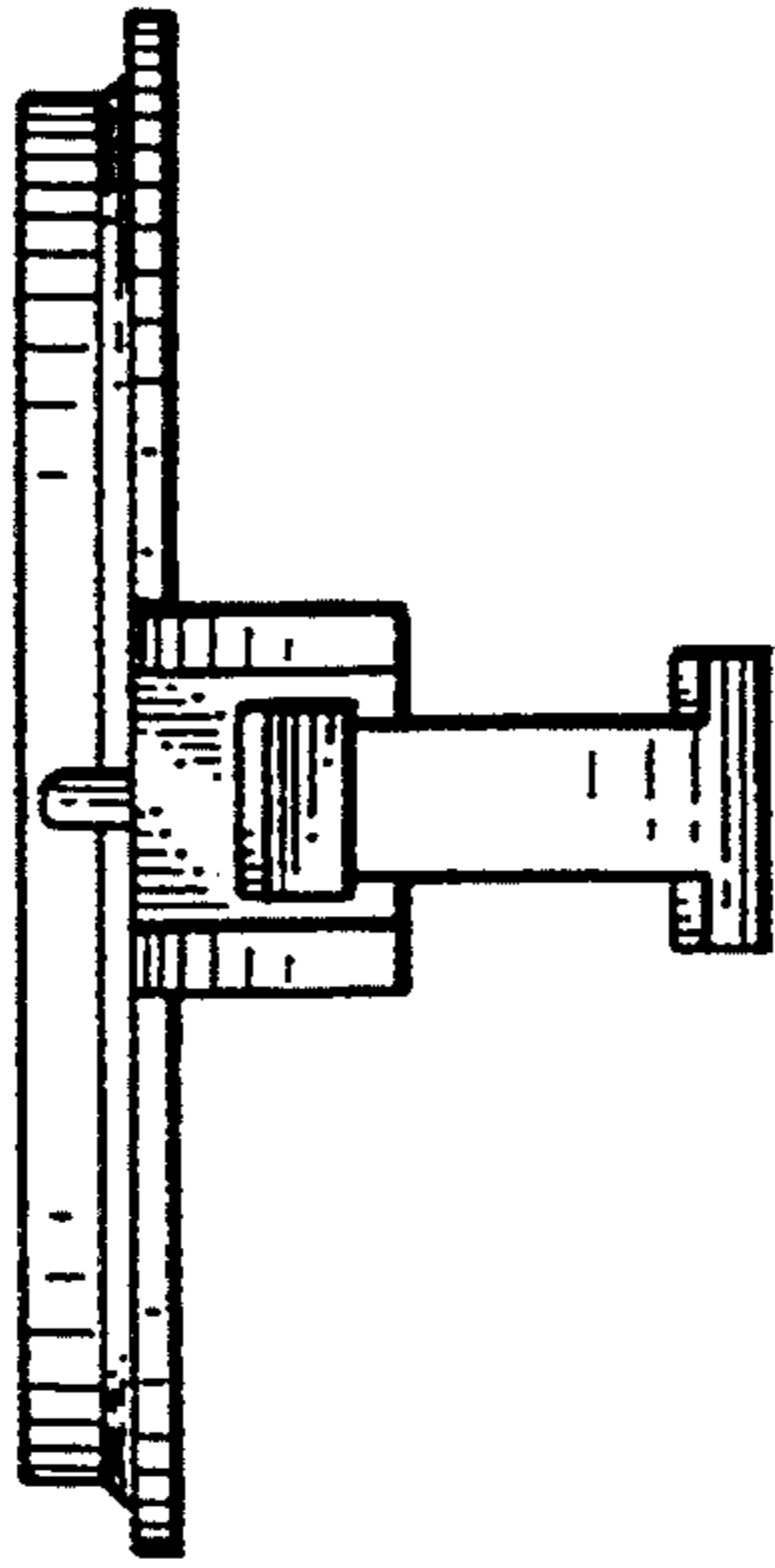


FIG. 7

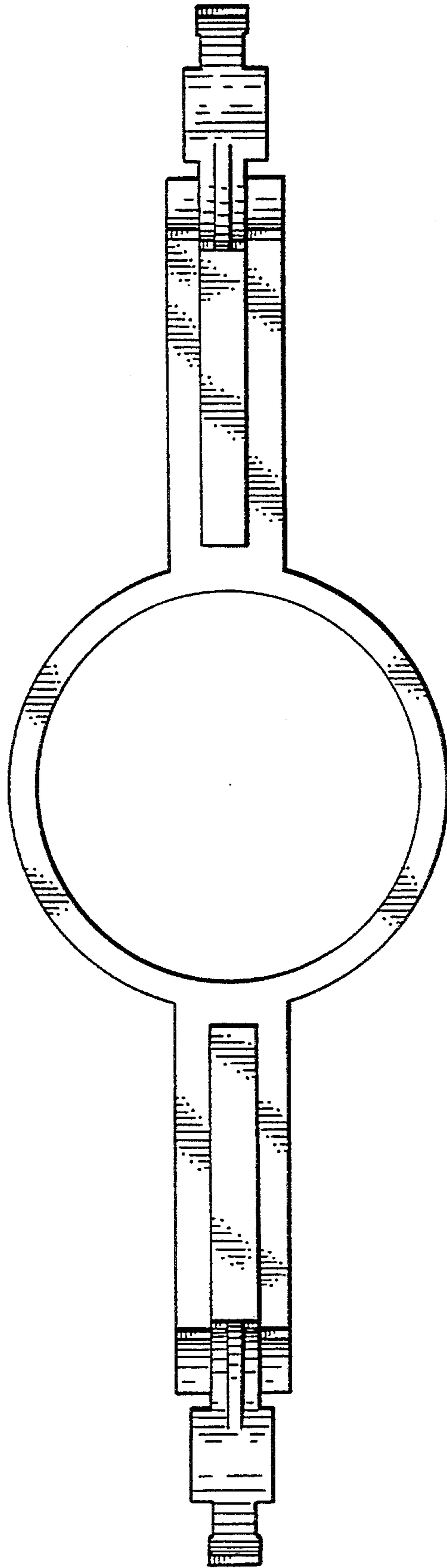


FIG. 8

FIG. 9

