



US00D361387S

# United States Patent [19]

[11] Patent Number: **Des. 361,387**

**Bischel**

[45] Date of Patent: **\*\* Aug. 15, 1995**

[54] COVER UNIT FOR CEILING RAILS

[75] Inventor: **Wesley T. K. Bischel**, Elizabethtown, Pa.

[73] Assignee: **Armstrong World Industries, Inc.**, Lancaster, Pa.

[\*\*] Term: **14 Years**

[21] Appl. No.: **6,147**

[22] Filed: **Mar. 22, 1993**

[52] U.S. Cl. .... **D25/55**

[58] Field of Search ..... D25/121, 125, 58, 119, D25/55; 52/484, 417, 456, 459, 463, 483, 488-489, 475, 495, 476, 502, 144, 145, 716-717, 813, 395

[56] **References Cited**

**U.S. PATENT DOCUMENTS**

D. 228,493	10/1973	Hrusch	.....	D25/55
D. 295,080	4/1988	Willan	.....	D25/55
D. 341,668	11/1993	Herter	.....	D25/58
2,249,106	7/1941	Baumgartl	.....	52/417

3,466,830	9/1969	Smith	.....	D25/58
3,828,506	8/1974	Phillips	.....	D25/58
4,569,175	2/1986	Abciuk	.....	52/463
4,926,606	5/1990	Hanson	.....	52/463
5,040,347	8/1991	Valvis	.....	52/456
5,088,255	2/1992	Emanuel	.....	52/456
5,165,208	11/1992	Lingemann	.....	52/456

*Primary Examiner*—Doris Clark

[57] **CLAIM**

The ornamental design for a cover unit for ceiling rails, as shown and described.

**DESCRIPTION**

FIG. 1 is an enlarged fragmentary front elevational view of a cover unit for ceiling rails showing my new design; and,

FIG. 2 is a cross-sectional view taken along line 2—2 of FIG. 1.

The pattern of the cover unit for ceiling rails is constant throughout its length, and the broken lines showing ceiling panels and a support element are for illustrative purposes only, and do not form any part of the claimed design.

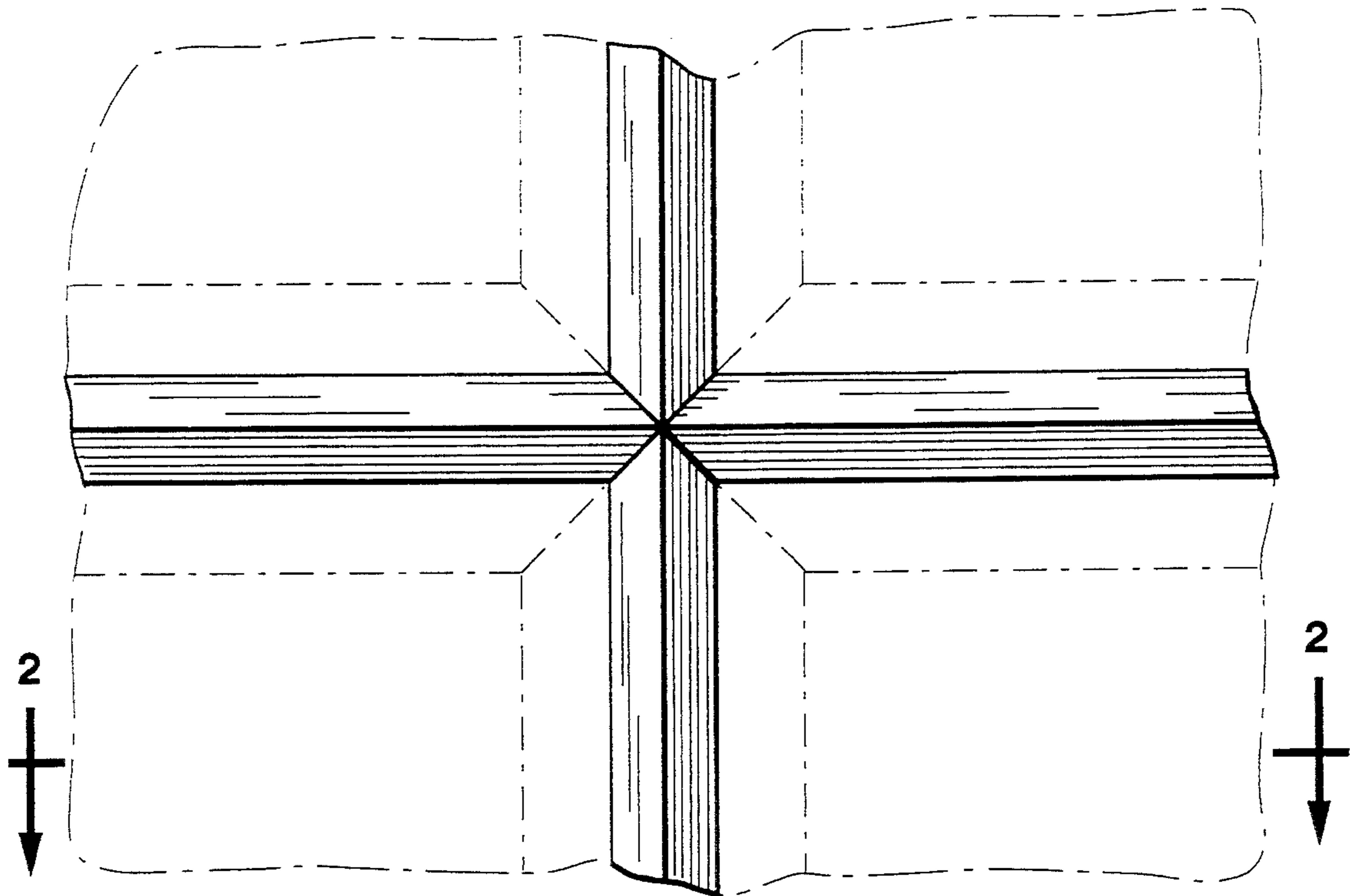


Fig. 1

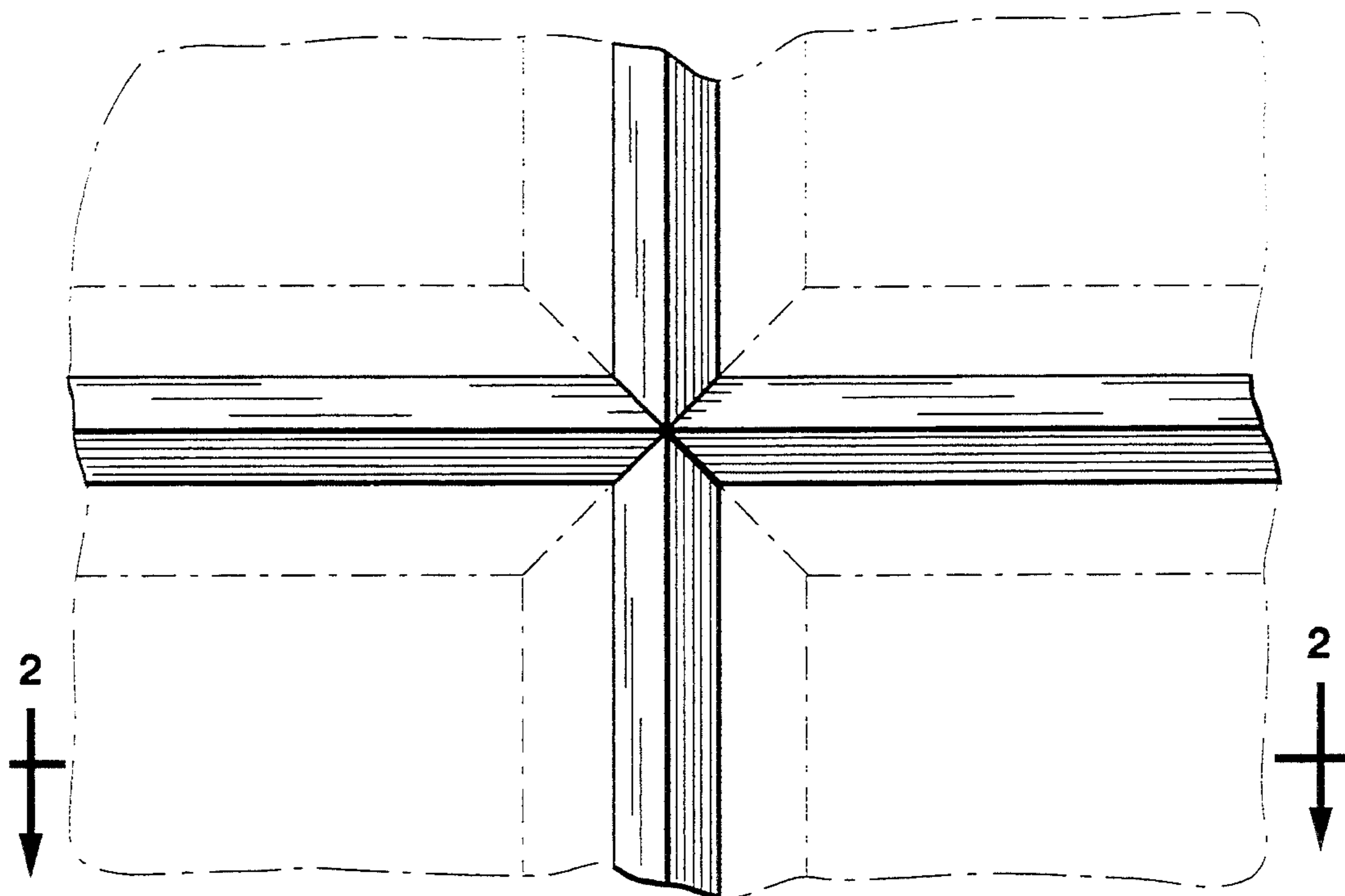


Fig. 2

