



US00D361385S

United States Patent [19]

[11] Patent Number: **Des. 361,385**

Harper

[45] Date of Patent: **** Aug. 15, 1995**

[54] **FEEDER FOR A BABY**
 [75] Inventor: **Debbie K. Harper**, Melbourne, Fla.
 [73] Assignee: **Bailey Ann Industries**, Melbourne, Fla.
 [**] Term: **14 Years**
 [21] Appl. No.: **18,936**
 [22] Filed: **Feb. 17, 1994**
 [52] U.S. Cl. **D24/199**
 [58] Field of Search **D24/199; 248/105, 102, 248/104, 106**

2,522,647 9/1950 Suich 248/104
 2,526,121 10/1950 Curry et al. 248/102
 2,631,288 3/1953 Daust 2/49
 3,905,571 9/1975 Lombardo 248/102
 4,405,106 9/1983 Adler 248/102
 4,726,551 2/1988 Randall et al. 248/102
 4,799,636 1/1989 Johnson 248/102
 4,809,938 3/1989 Skinner et al. 248/102
 4,895,327 1/1990 Malone et al. 248/102
 5,184,796 2/1993 Maher 248/104
 5,217,192 6/1993 Oktayuren 248/102

Primary Examiner—Stella Reid
Attorney, Agent, or Firm—Louis T. Isaf; James A. Witherspoon

[56] **References Cited**
U.S. PATENT DOCUMENTS

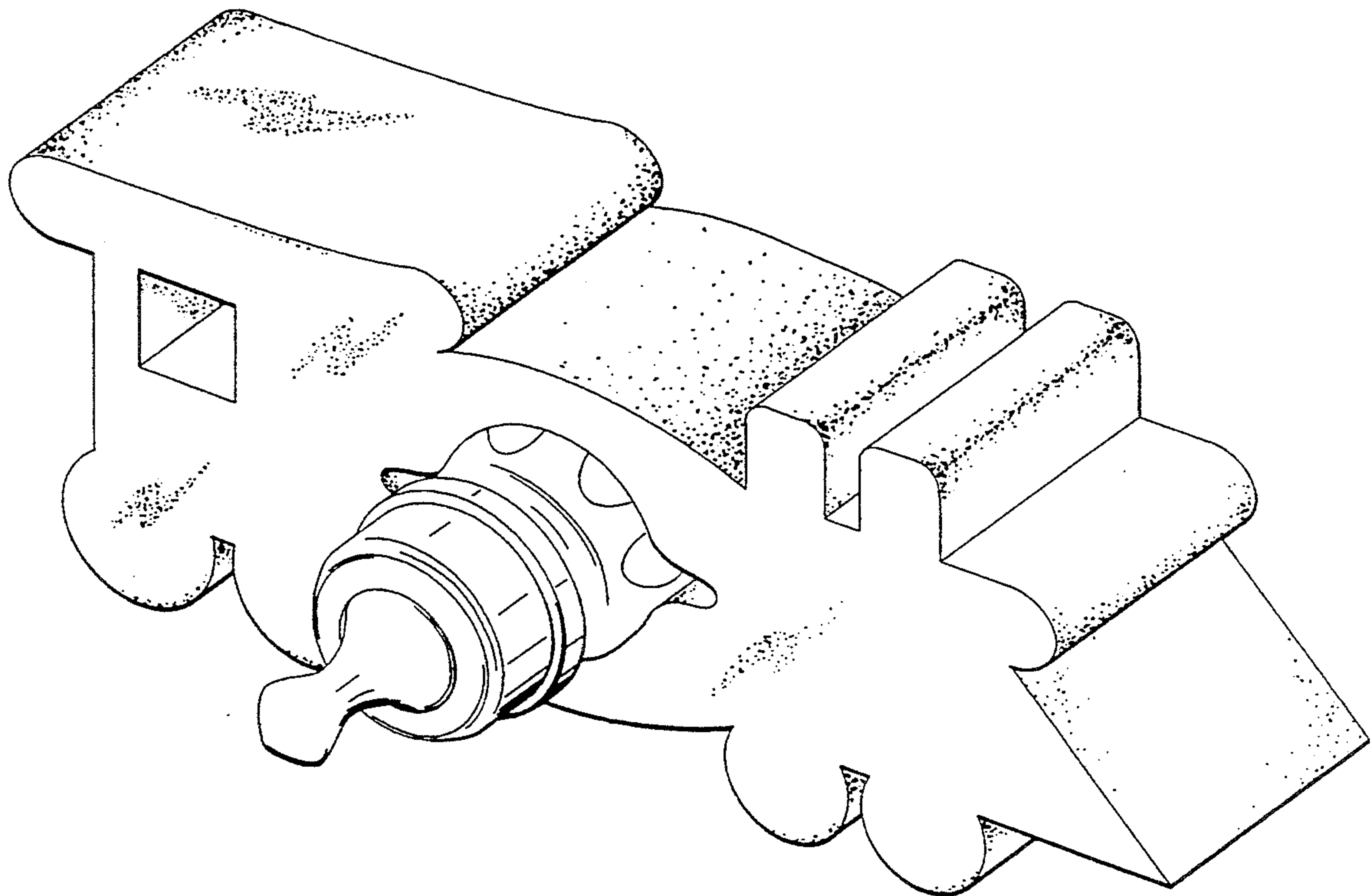
D. 145,611 9/1946 Butterfield D24/199
 D. 153,937 5/1949 Graboi D24/199
 D. 171,644 3/1954 Etienne D24/199
 D. 176,092 11/1955 Allen D24/199
 D. 282,969 3/1986 Sukoff D24/48
 485,098 10/1892 Forshew .
 530,435 12/1894 Lowerre .
 1,617,944 2/1927 Gerstner .
 2,134,746 11/1938 Allen 248/102
 2,344,255 3/1944 Lichter 248/106
 2,465,015 3/1949 Fisher 248/104
 2,510,953 6/1950 Brose et al. 248/102

[57] **CLAIM**

The ornamental design for an feeder for a baby, as shown and described.

DESCRIPTION

FIG. 1 is a perspective view of a feeder for a baby showing my new design;
 FIG. 2 is a front elevational view thereof;
 FIG. 3 is a rear elevational view thereof;
 FIG. 4 is a top plan view thereof;
 FIG. 5 is a left side elevational view thereof;
 FIG. 6 is a right side elevational view thereof; and,
 FIG. 7 is a bottom plan view thereof.



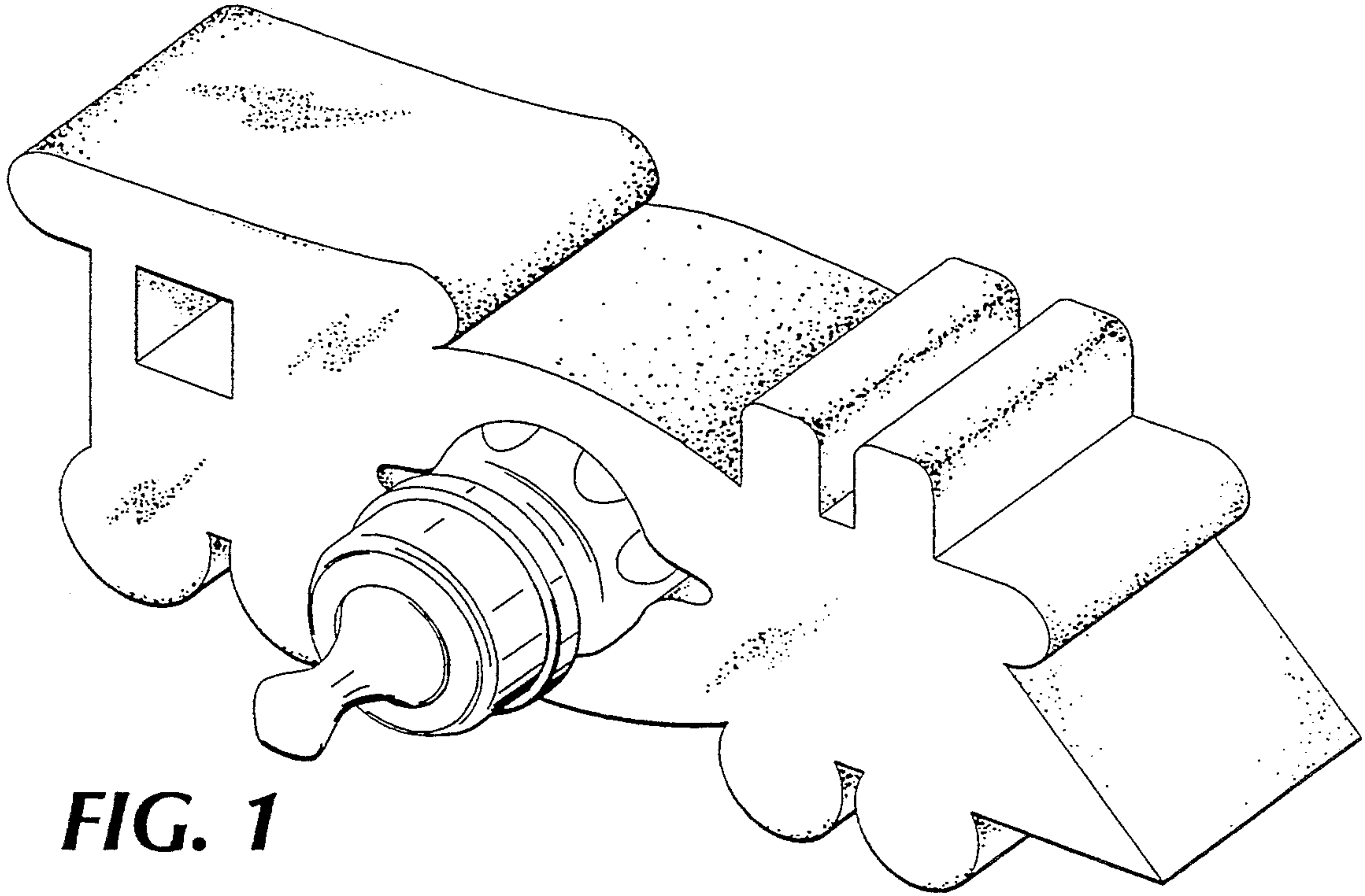


FIG. 1

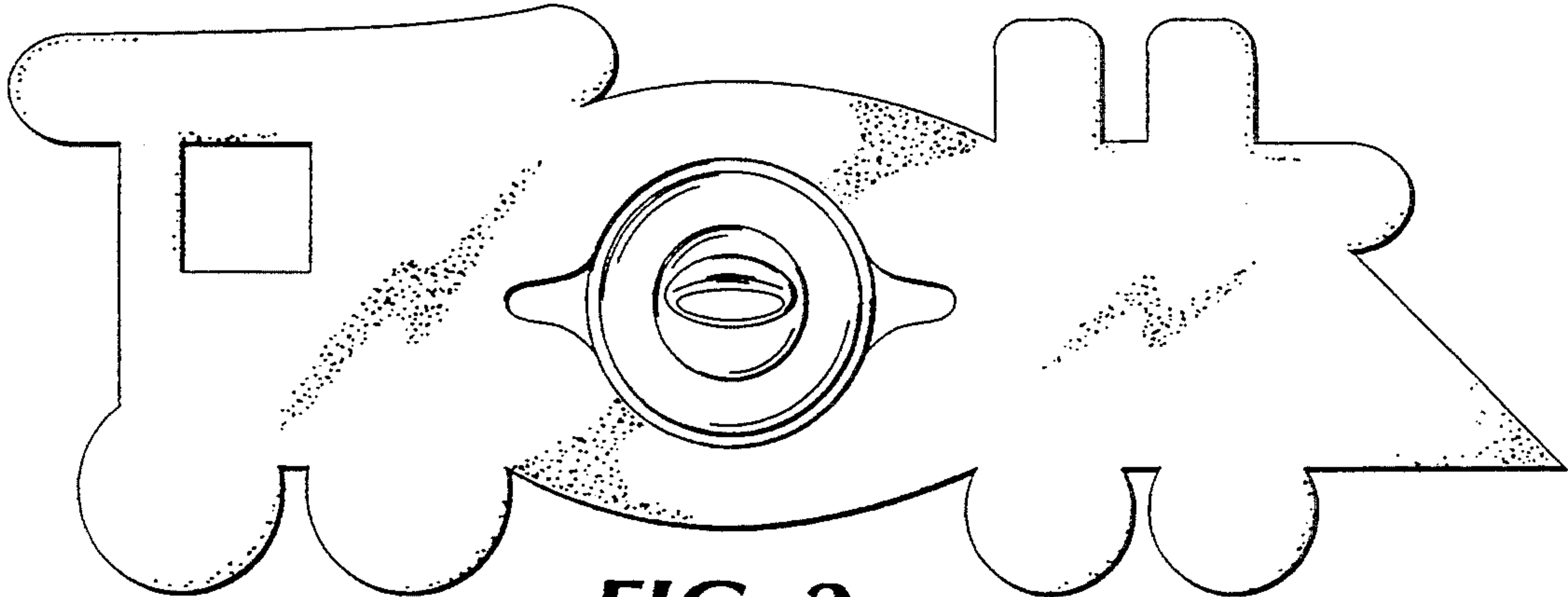


FIG. 2

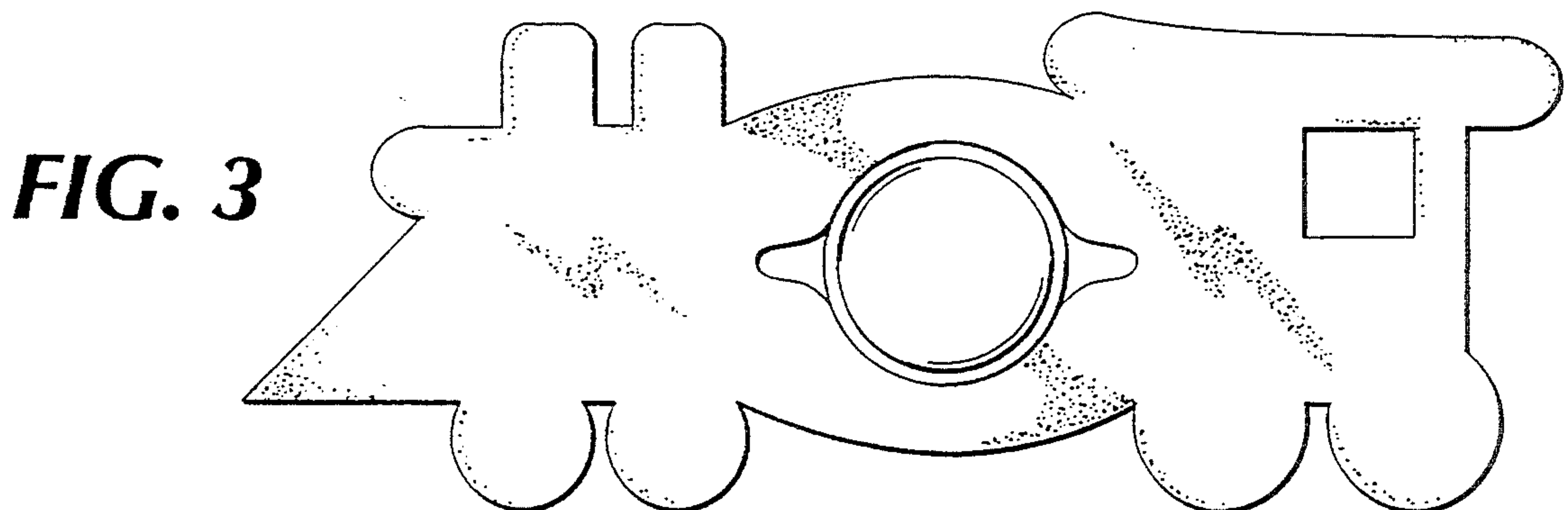


FIG. 3

FIG. 4

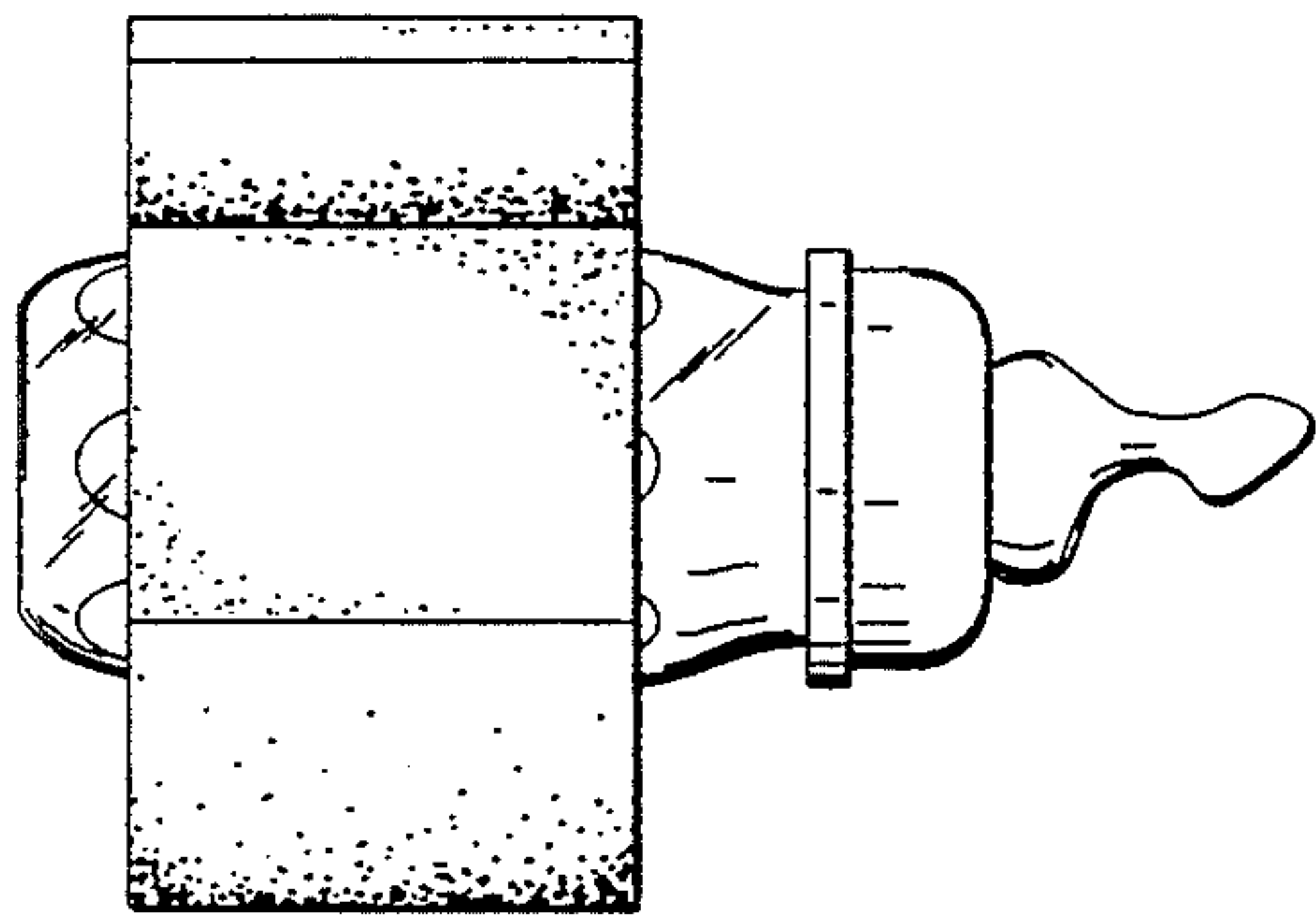
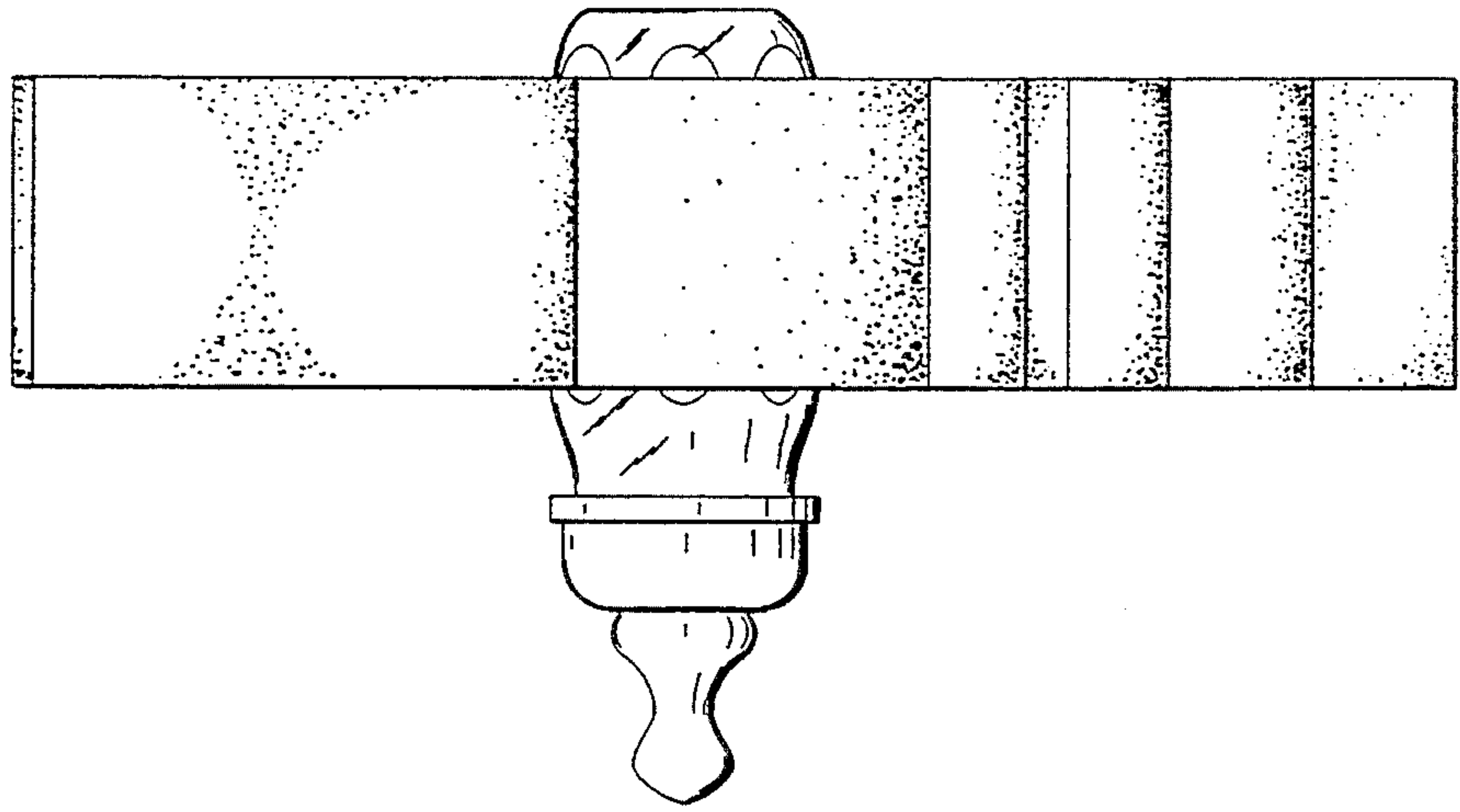


FIG. 5

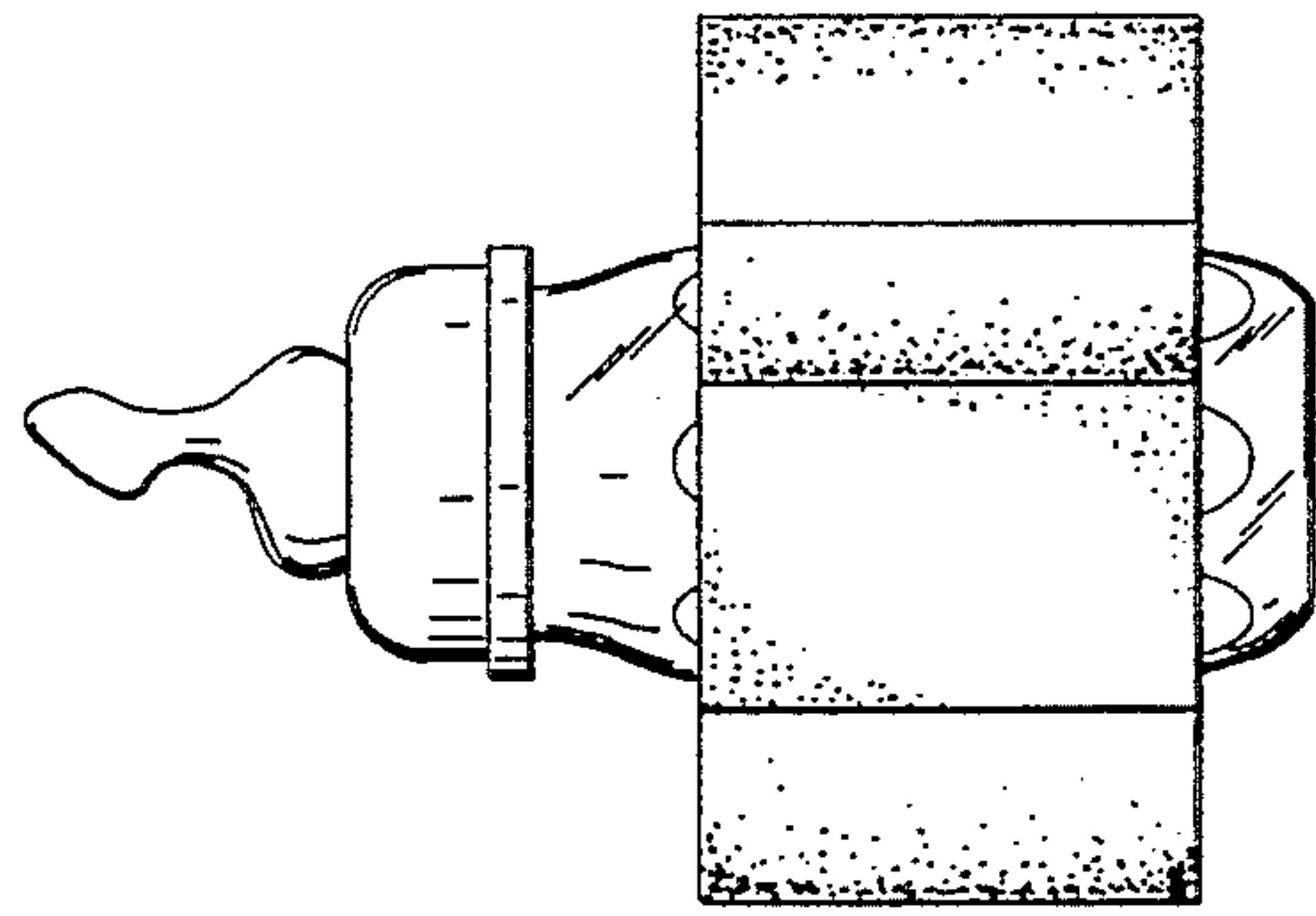


FIG. 6

FIG. 7

