



US00D361383S

# United States Patent [19]

[11] Patent Number: **Des. 361,383**

Lipson et al.

[45] Date of Patent: **\*\* Aug. 15, 1995**

- [54] **PORTABLE LIMB SUPPORT**
- [75] Inventors: **Walda B. Lipson**, White Plains; **Carl Yurdin**, Port Washington, both of N.Y.
- [73] Assignee: **Equip For Independence, Inc.**, White Plains, N.Y.
- [\*\*] Term: **14 Years**
- [21] Appl. No.: **903,548**
- [22] Filed: **Jun. 23, 1992**
- [52] U.S. Cl. .... **D24/183**
- [58] Field of Search ..... **D24/183, 184; 128/845, 128/846; 602/16**

- 1,921,987 8/1933 Ettinger ..... 602/16
- 1,961,118 5/1934 Ettinger ..... 602/16
- 5,000,168 3/1991 Lipson ..... 128/845 X

*Primary Examiner*—Lou Zarfaz  
*Assistant Examiner*—Eric M. Watterson  
*Attorney, Agent, or Firm*—George A. Skoler

### [57] CLAIM

The ornamental design for a portable limb support, as shown and described.

### DESCRIPTION

FIG. 1 is a right side elevational view thereof, the left side being identical;  
 FIG. 2 is a front elevational view thereof;  
 FIG. 3 is a back elevational view thereof;  
 FIG. 4 is a top view thereof;  
 FIG. 5 is a bottom view thereof; and,  
 FIG. 6 is a perspective view thereof.

- [56] **References Cited**
- U.S. PATENT DOCUMENTS**
- 1,904,363 4/1933 Ettinger ..... 602/16

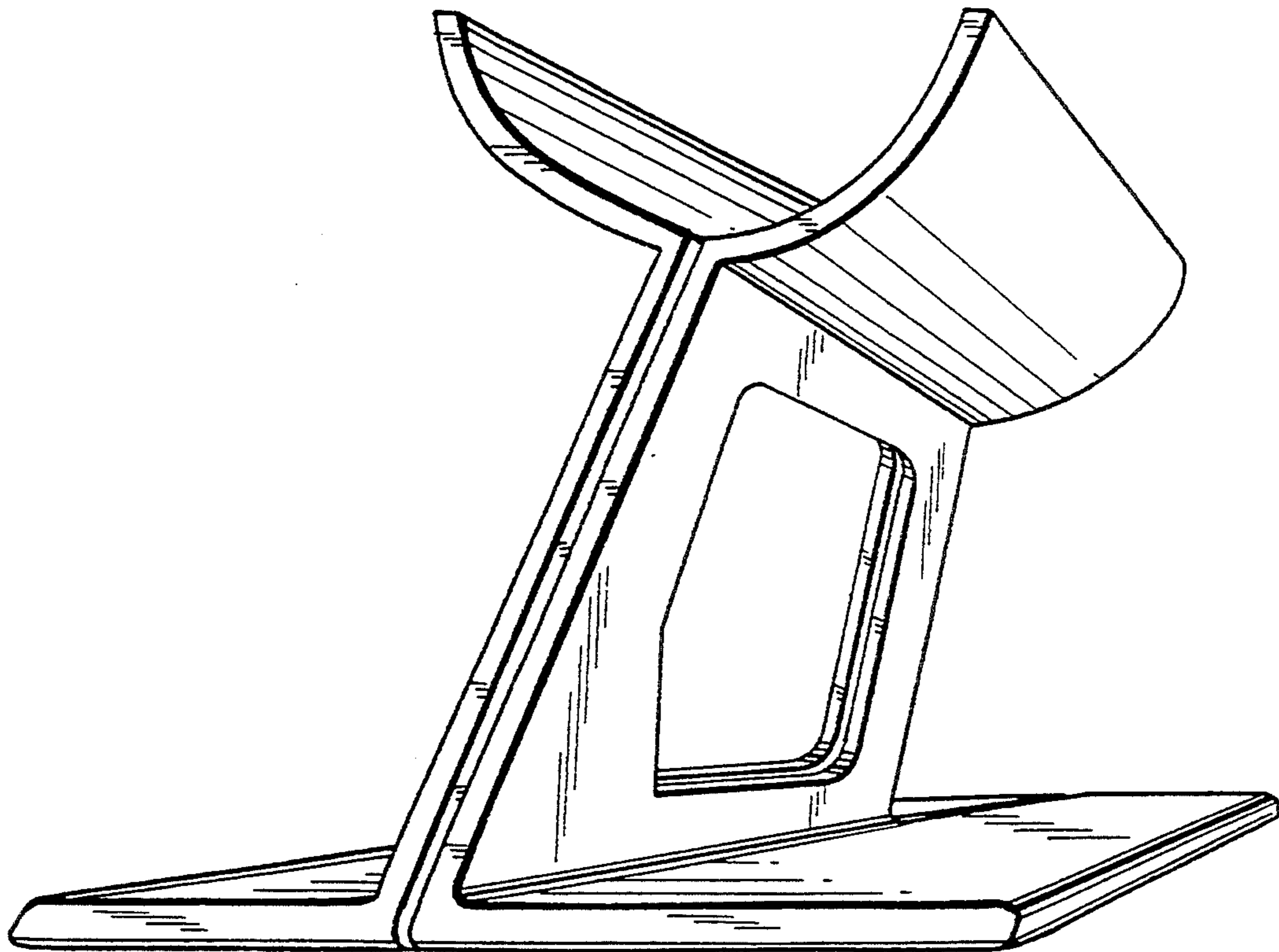


FIG. 1

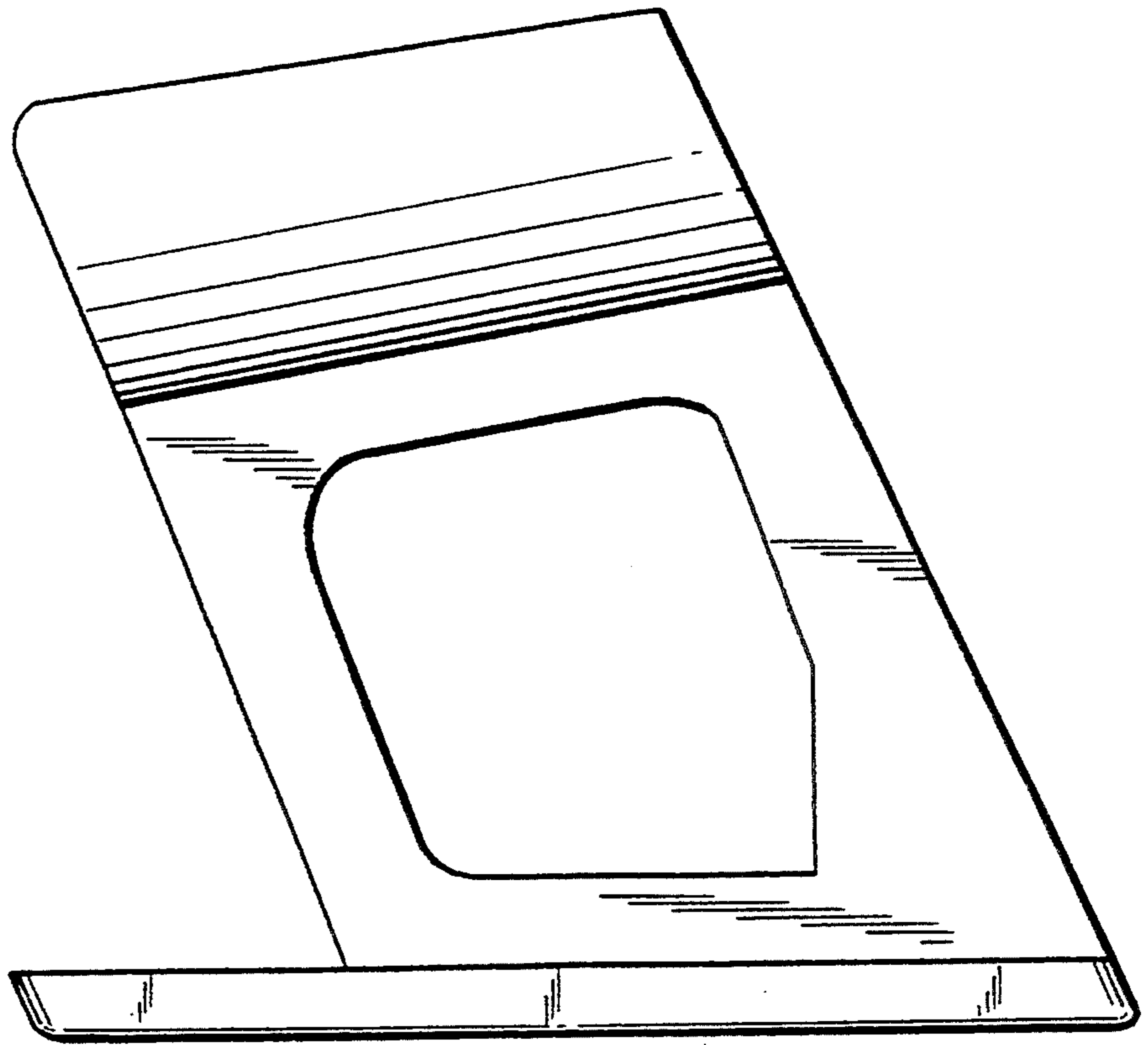


FIG. 2

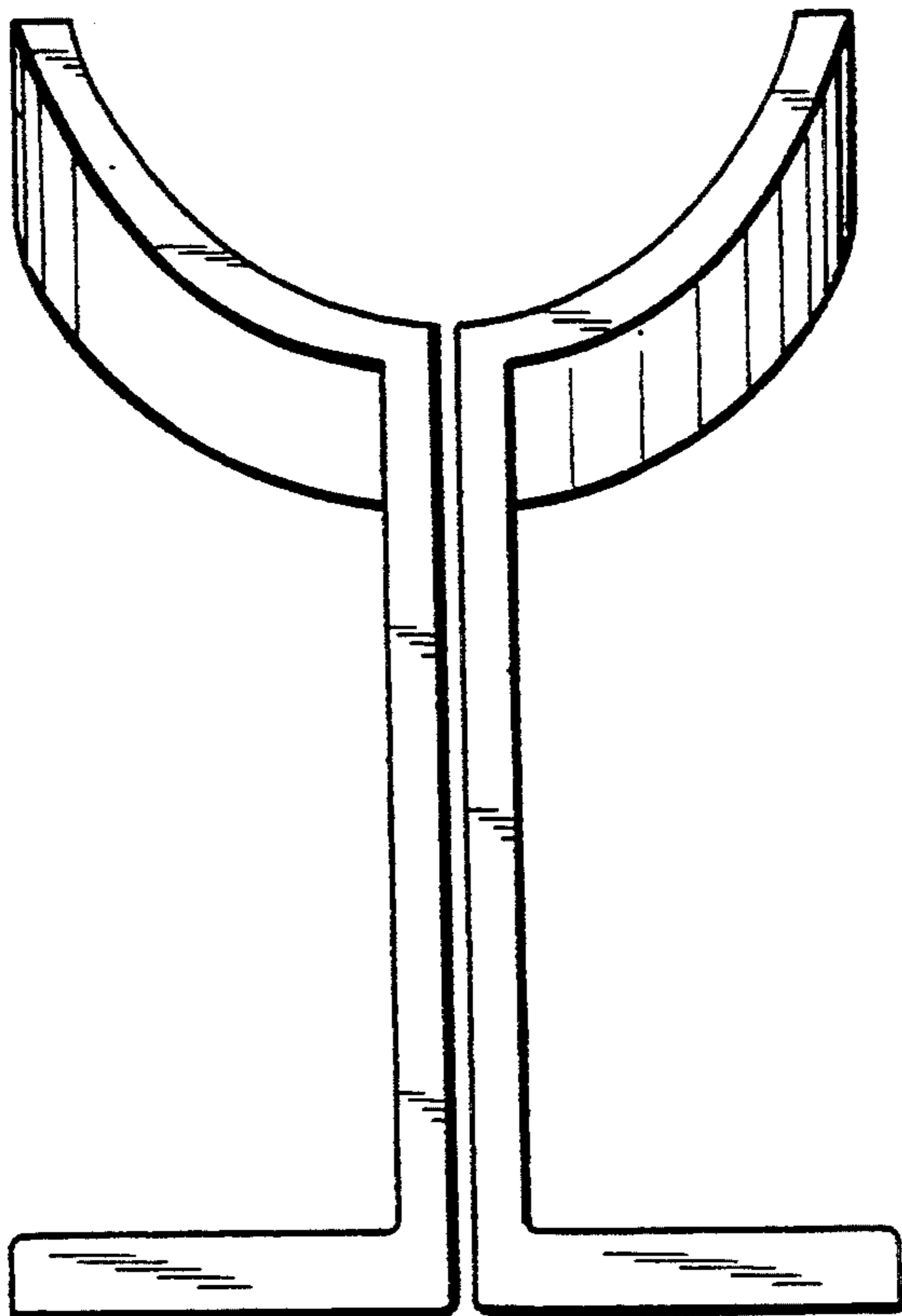


FIG. 3

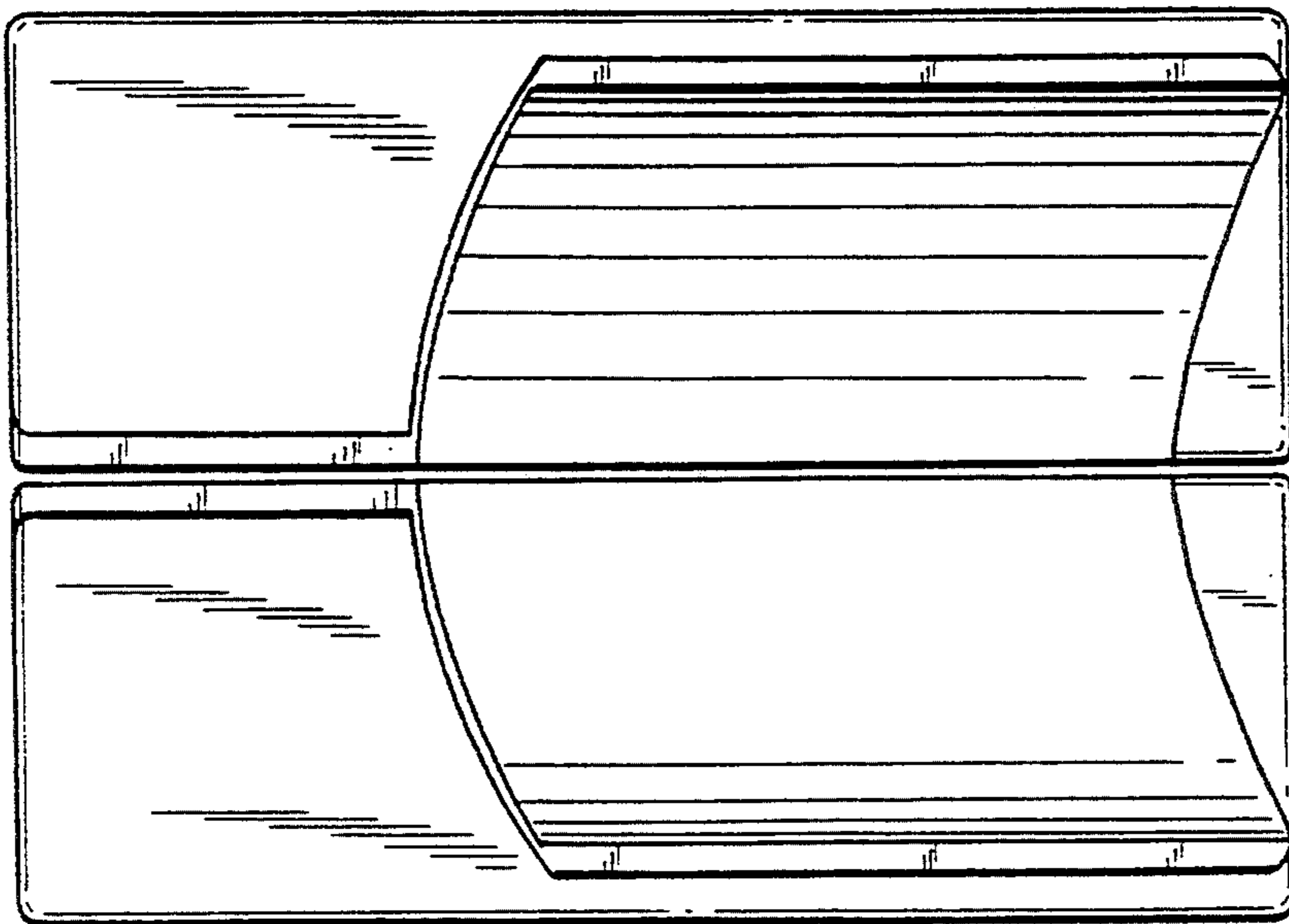
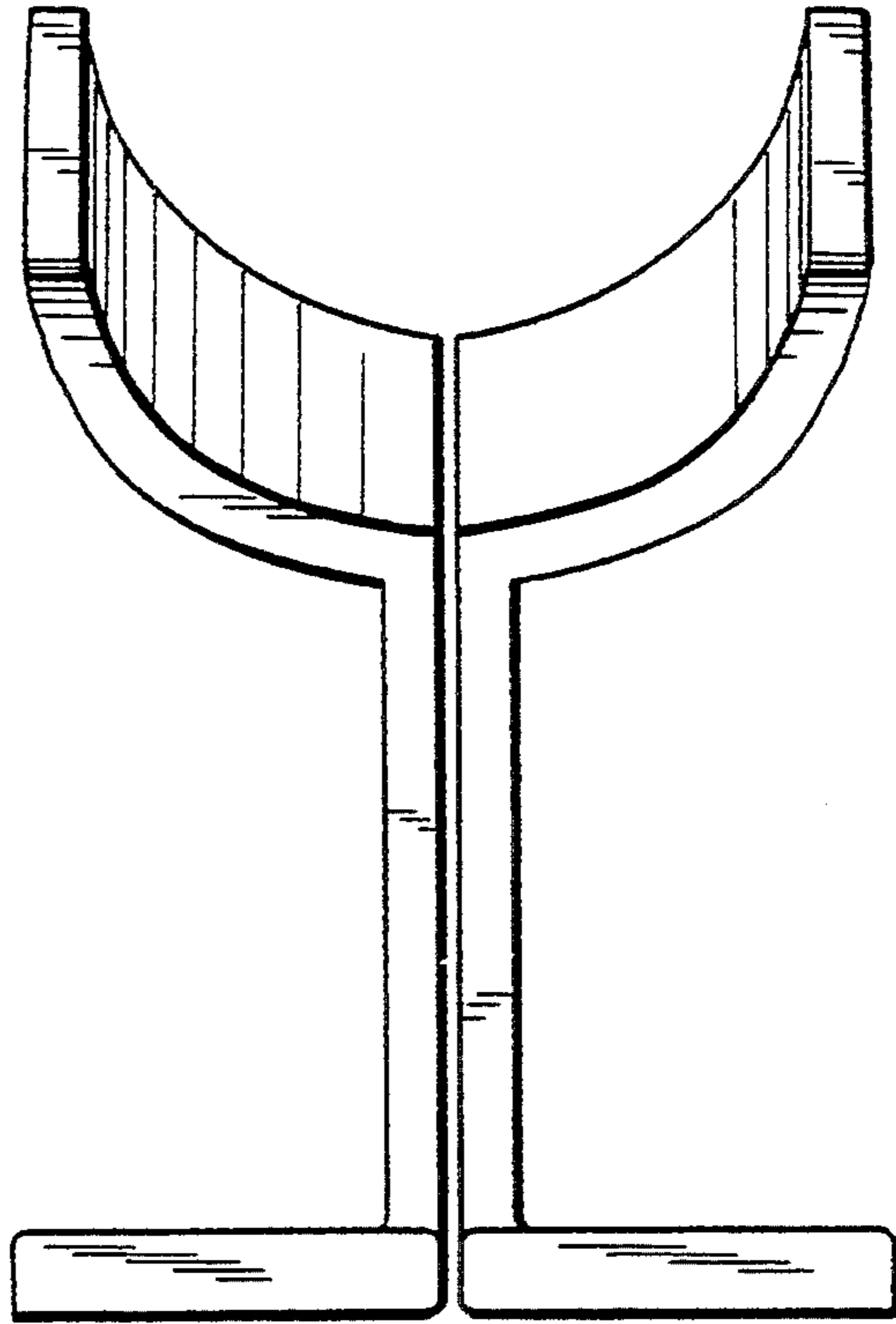


FIG. 4

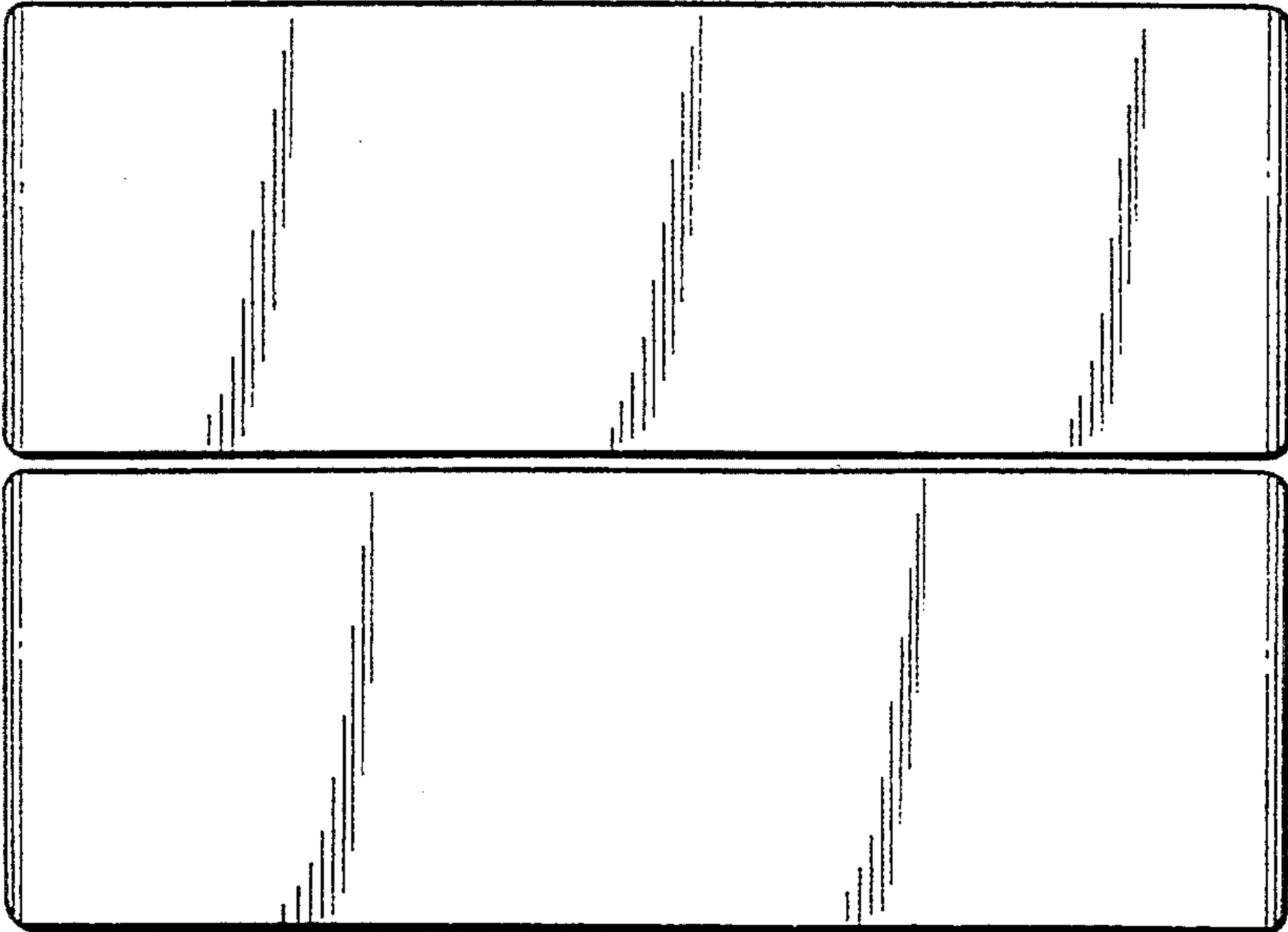


FIG. 5

FIG. 6

