



US00D361382S

United States Patent [19]

[11] Patent Number: **Des. 361,382**

Brunsell et al.

[45] Date of Patent: **** Aug. 15, 1995**

[54] **DENTAL MATERIAL CURING APPARATUS**

[75] Inventors: **Robert E. Brunsell**, Woodbury, Minn.; **John P. Kennedy**, Guelph; **David T. Dobson**, Kitchener, both of Canada

[73] Assignee: **Minnesota Mining and Manufacturing Company**, St. Paul, Minn.

[**] Term: **14 Years**

[21] Appl. No.: **14,158**

[22] Filed: **Oct. 14, 1993**

[52] U.S. Cl. **24/177; D24/152**

[58] Field of Search **D24/176-182, D24/152; 433/126, 118, 228.1, 20, 229**

[56] **References Cited**

U.S. PATENT DOCUMENTS

D. 336,337	6/1993	Dotterman et al.	D24/177
3,712,984	1/1973	Lienhard	250/86
4,385,344	5/1983	Gonser	362/32
4,450,139	5/1984	Bussiere et al.	422/186.3
4,818,231	4/1989	Steiner et al.	433/215
4,888,489	12/1989	Bryan	250/504 H
4,948,215	8/1990	Friedman	350/96.10
5,147,204	9/1992	Patten et al.	433/229

OTHER PUBLICATIONS

Max Brochure, L.D. Caulk Division, Dentsply International, Inc., Copyright 1988.

Visilux 2 Brochure, 3M Company, Copyright 1987.

Visilux 2 Field Service Handbook, 3M Company, pp. 2-1 to 2-5 and 6-1 to 6-5, Copyright Sep. 1990.

Translux CL Brochure, Kulzer & Co GmbH, Copyright 1984.

Teledyne Getz Brochure, Teledyne, Inc., Copyright 1984.

Visilux 2, Instructions for Use, 3M Company, Copyright date Jan. 1990.

Vivalux Brochure, Ivoclar Vivadent, Ivoclar North America, Inc.

ParaPost XT Brochure, Coltene Whaledent.

GC Unifast LC brochure, GC International Corporation, copyright 1989.

Primary Examiner—Kay H. Chin

Attorney, Agent, or Firm—Gary L. Griswold; Walter N. Kirn; James D. Christoff

[57] **CLAIM**

The ornamental design for a dental material curing apparatus, as shown and described.

DESCRIPTION

FIG. 1 is a top, front and right side perspective view of a dental material curing apparatus showing our new design, on a reduced scale;

FIG. 2 is a plan view thereof;

FIG. 3 is a left side elevational view thereof;

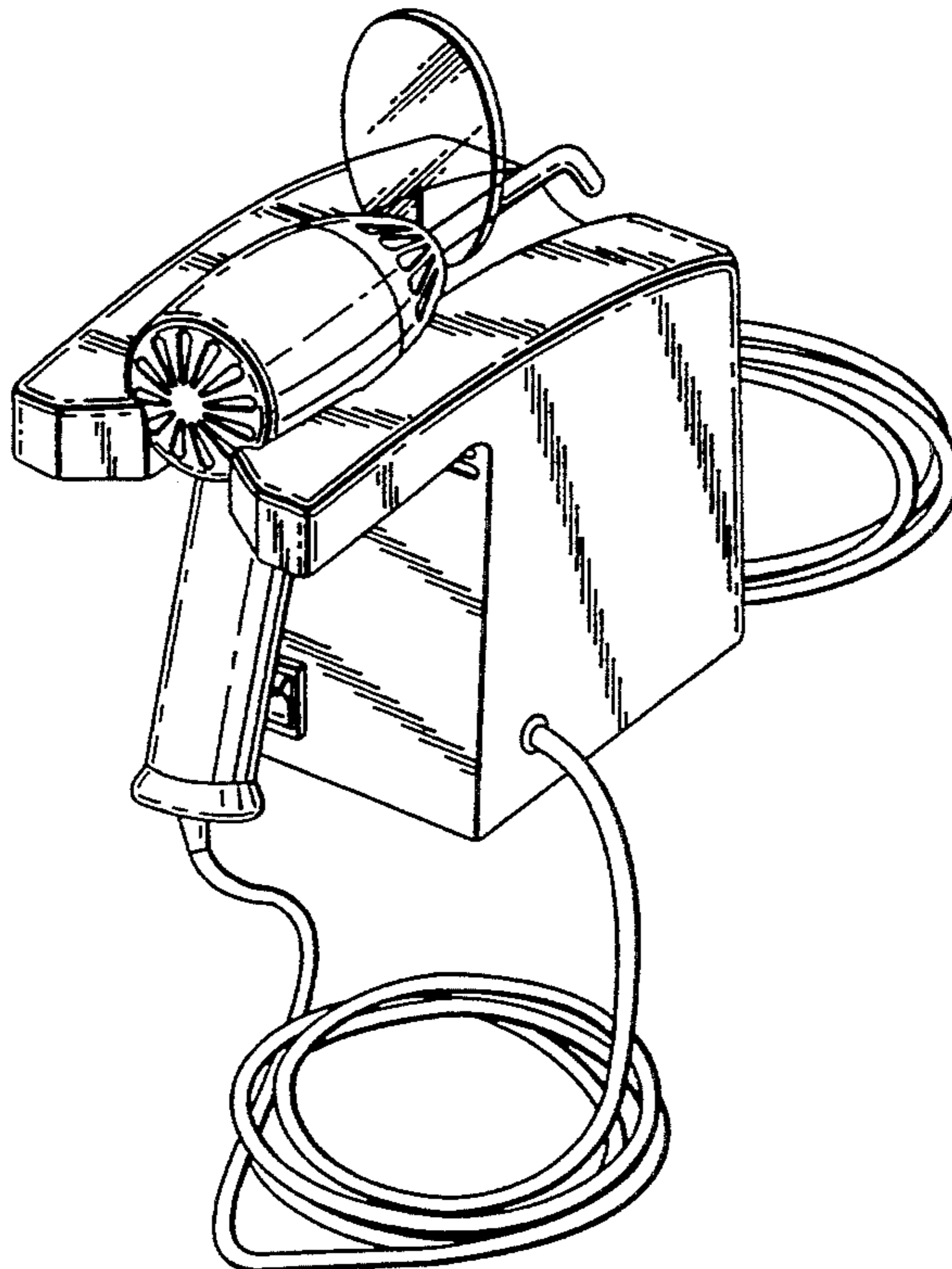
FIG. 4 is a right side elevational view thereof;

FIG. 5 is a bottom view thereof;

FIG. 6 is a front elevational view thereof; and,

FIG. 7 is a rear elevational view thereof.

The cords are omitted in FIGS. 2 through 7 for convenience of illustration.



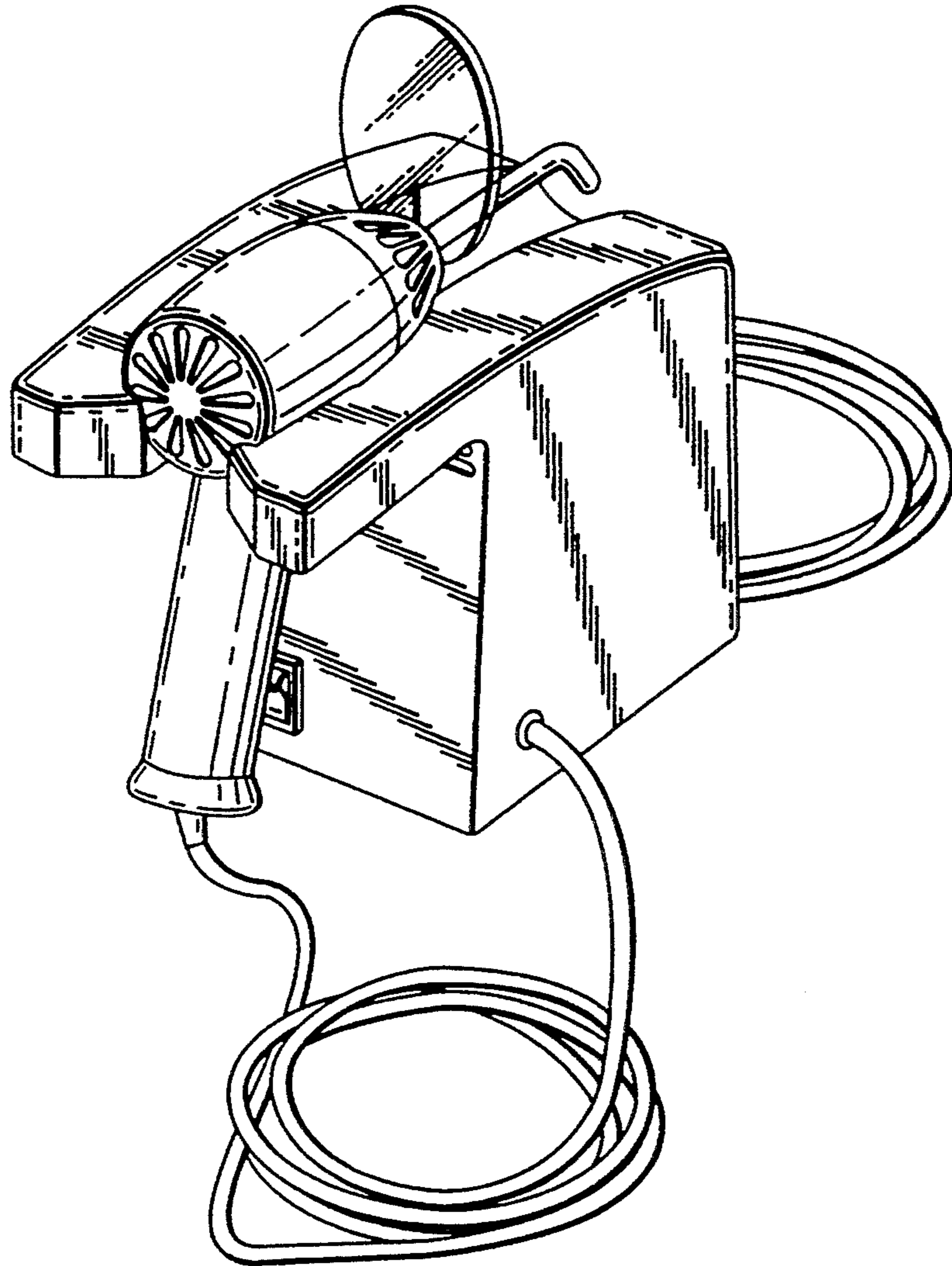


Fig. 1

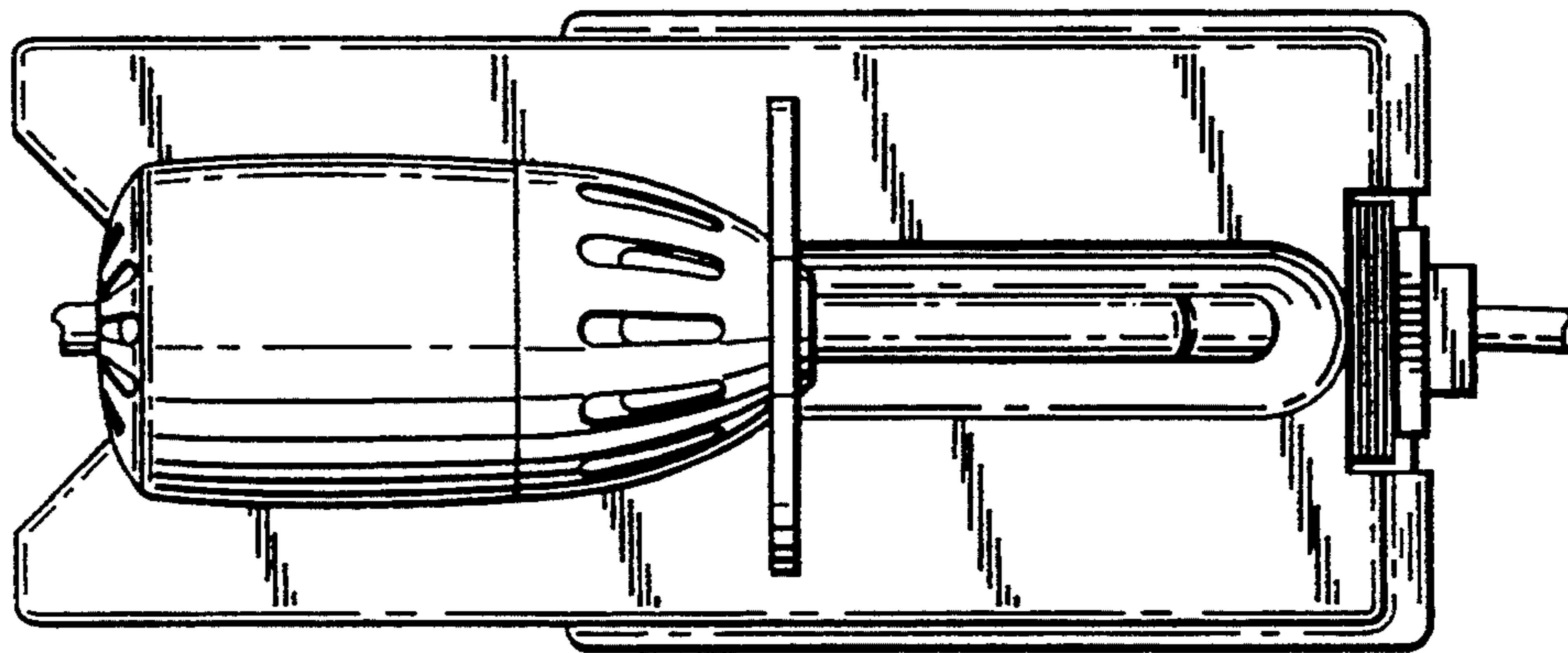


Fig. 2

Fig. 3

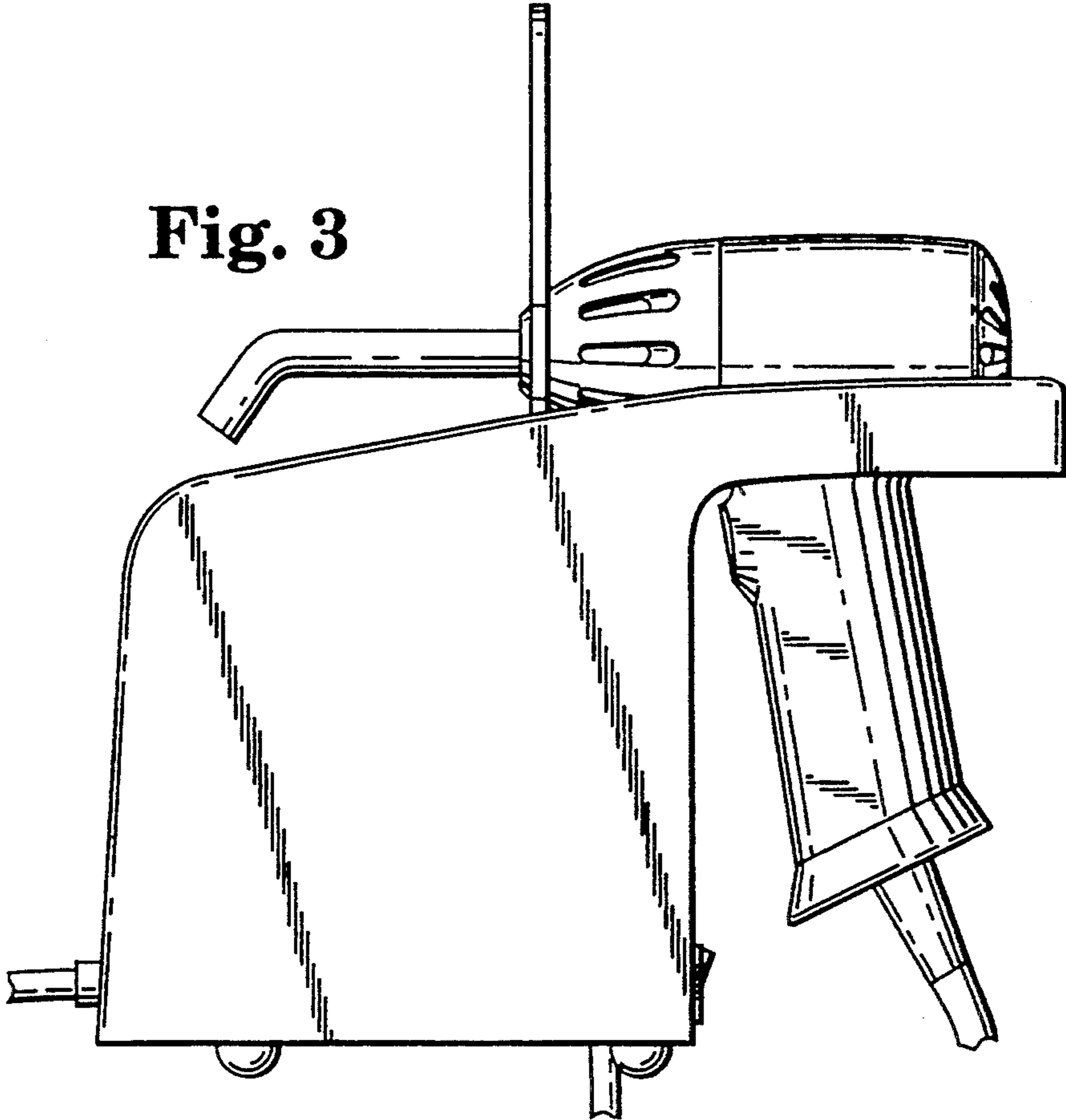
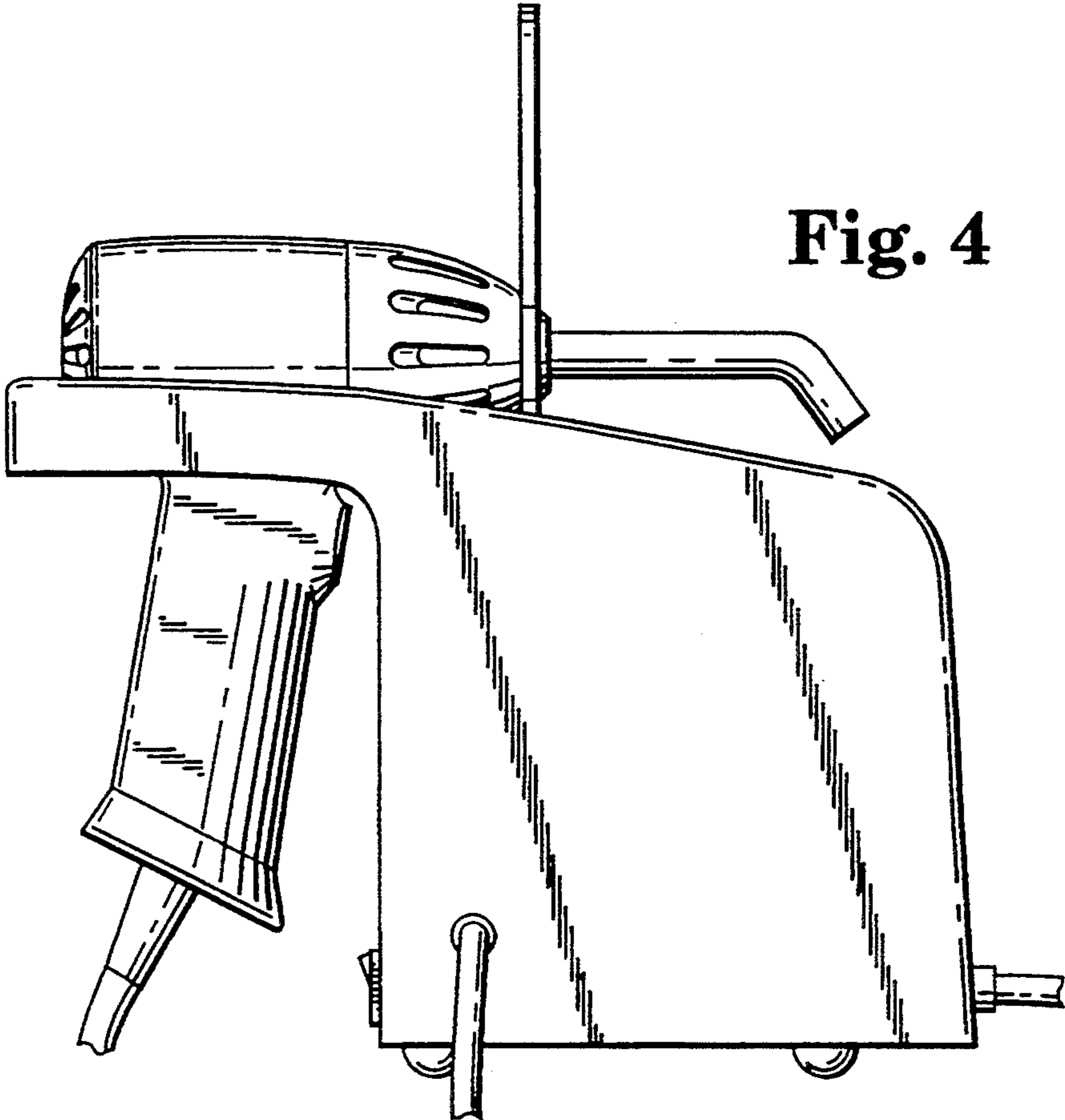


Fig. 4



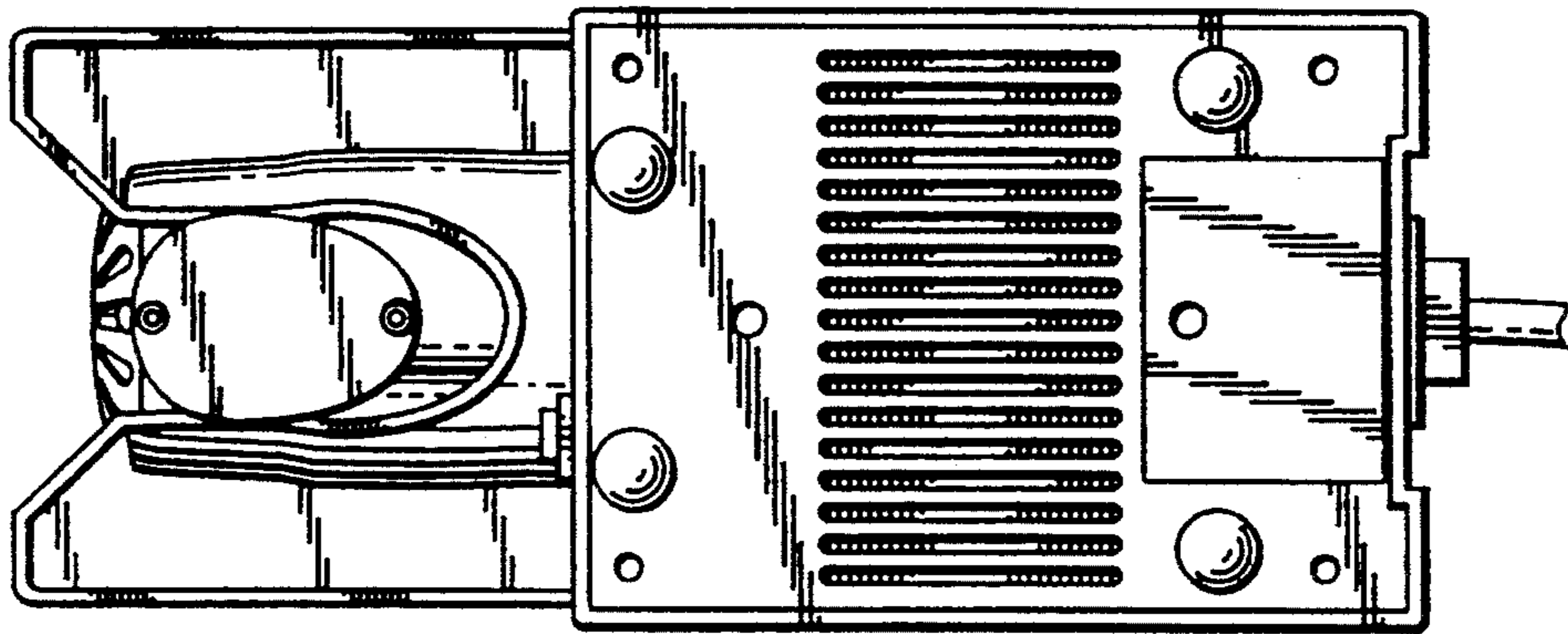


Fig. 5

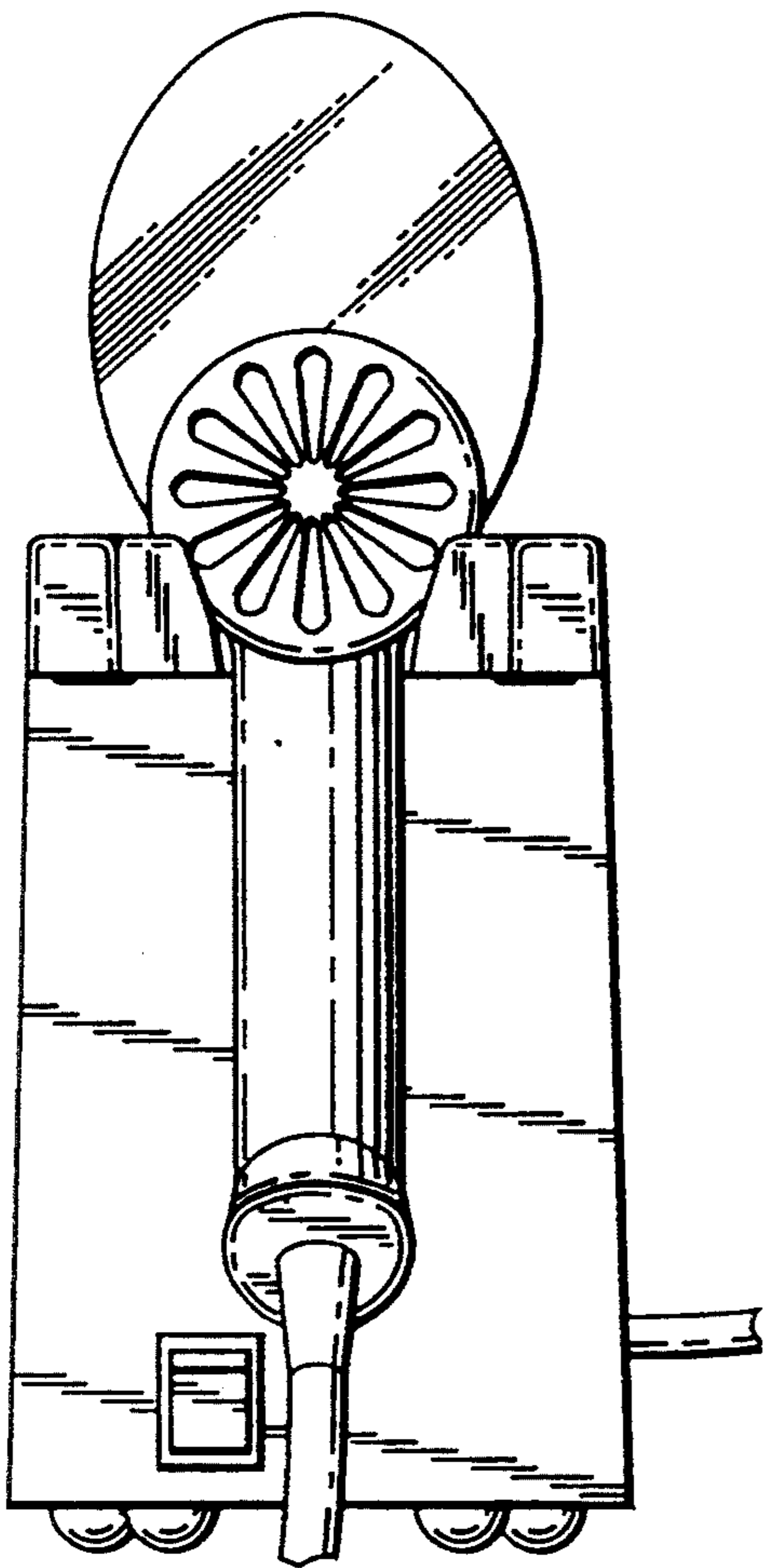


Fig. 6

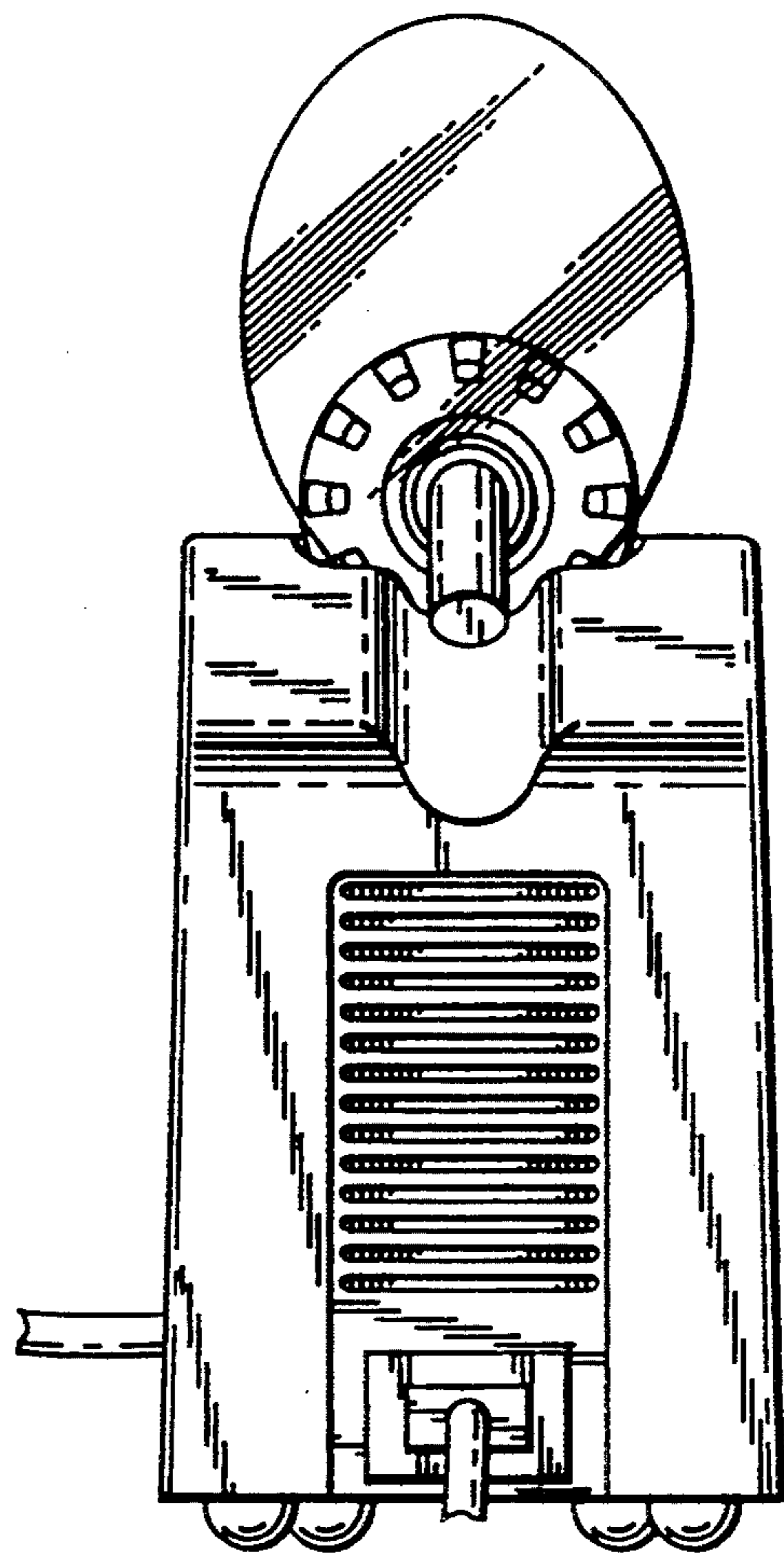


Fig. 7