



US00D361381S

# United States Patent [19]

[11] Patent Number: **Des. 361,381**

Koros et al.

[45] Date of Patent: **\*\* Aug. 15, 1995**

## [54] COMBINED SPINE AND STERNUM RETRACTOR FRAME

[76] Inventors: **Tibor Koros; Gabriel Koros**, both of 610 Flinn Ave., Moorpark, Calif. 93021

[\*\*] Term: **14 Years**

[21] Appl. No.: **20,172**

[22] Filed: **Mar. 17, 1994**

[52] U.S. Cl. .... **D24/135**

[58] Field of Search ..... **D24/135; 128/20, 17, 128/19**

### [56] References Cited

#### U.S. PATENT DOCUMENTS

D. 319,502	8/1991	Michelson .	
4,702,230	10/1987	Pelta .....	D24/135 X
4,865,019	9/1989	Phillips .....	128/20
4,989,587	2/1991	Farley .....	128/20
5,067,477	11/1991	Santangelo .....	128/20
5,088,472	2/1992	Fakhrui .....	128/20
5,167,223	12/1992	Koros et al. ....	128/20

## FOREIGN PATENT DOCUMENTS

3834358 4/1990 Germany ..... 128/20

*Primary Examiner*—Louis S. Zarfes

*Assistant Examiner*—I. Simmons

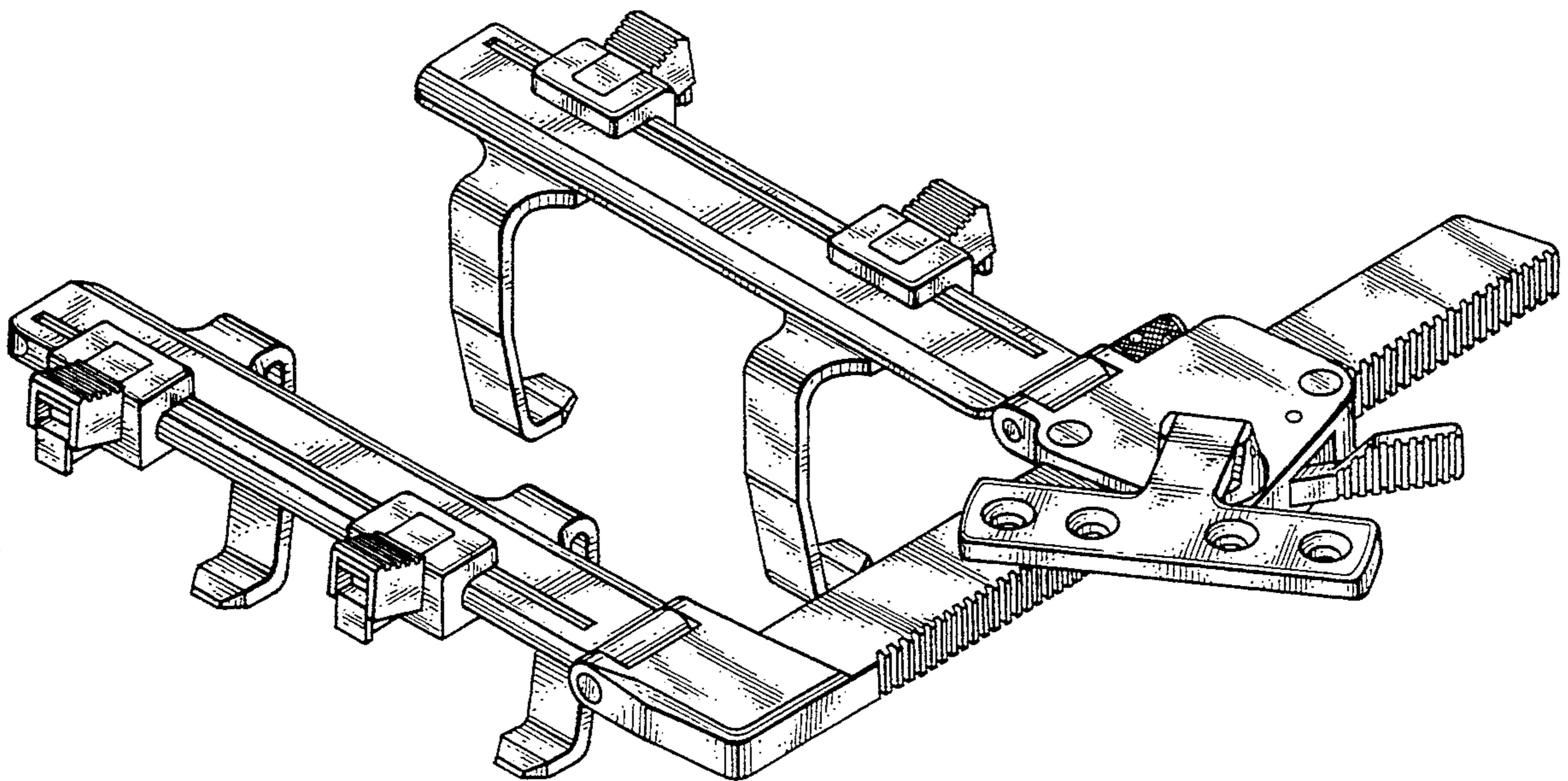
*Attorney, Agent, or Firm*—Richard D. Slehofer

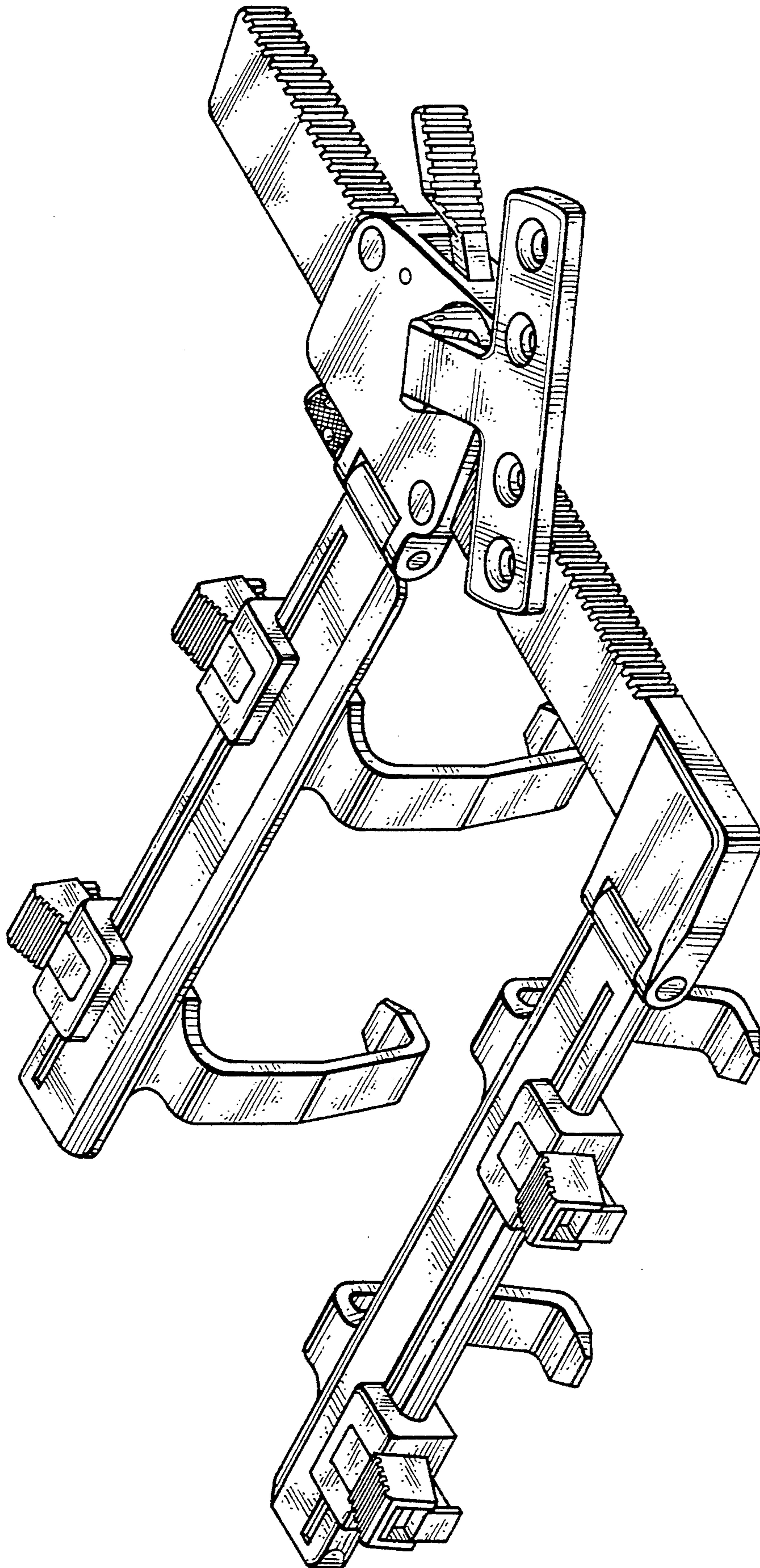
### [57] CLAIM

The ornamental design for a combined spine and sternum retractor frame, as shown and described.

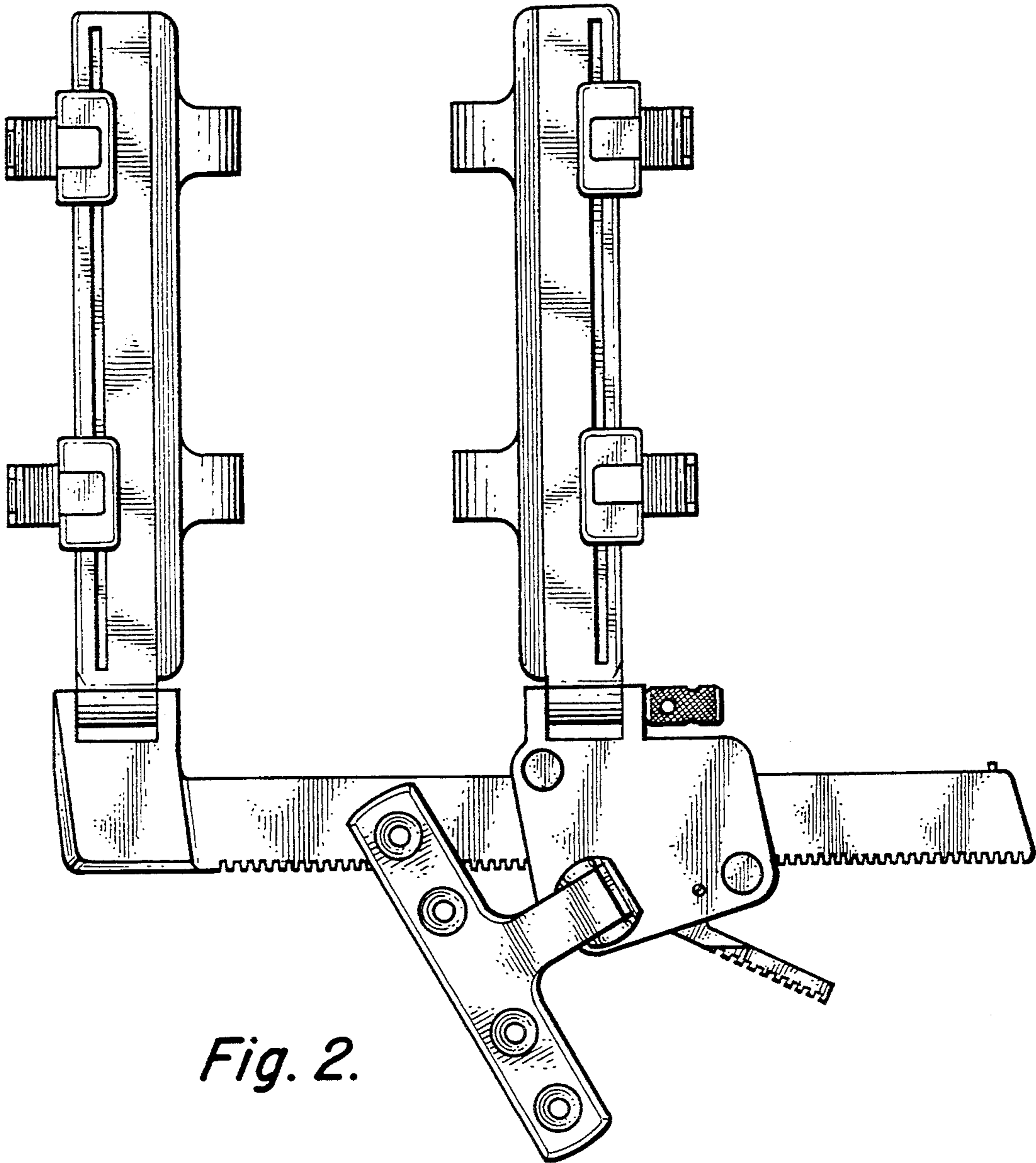
### DESCRIPTION

FIG. 1 is an isometric view of a combined spine and sternum retractor frame showing the top, the left side, and the front of our new design; FIG. 2 is a top plan view thereof; FIG. 3 is a front elevational view thereof; FIG. 4 is a rear elevational view thereof; FIG. 5 is a left side elevational view thereof; FIG. 6 is a right side elevational view thereof; FIG. 7 is a bottom plan view thereof; and, FIG. 8 is an enlarged cross-sectional view taken along line 8—8 of FIG. 5.

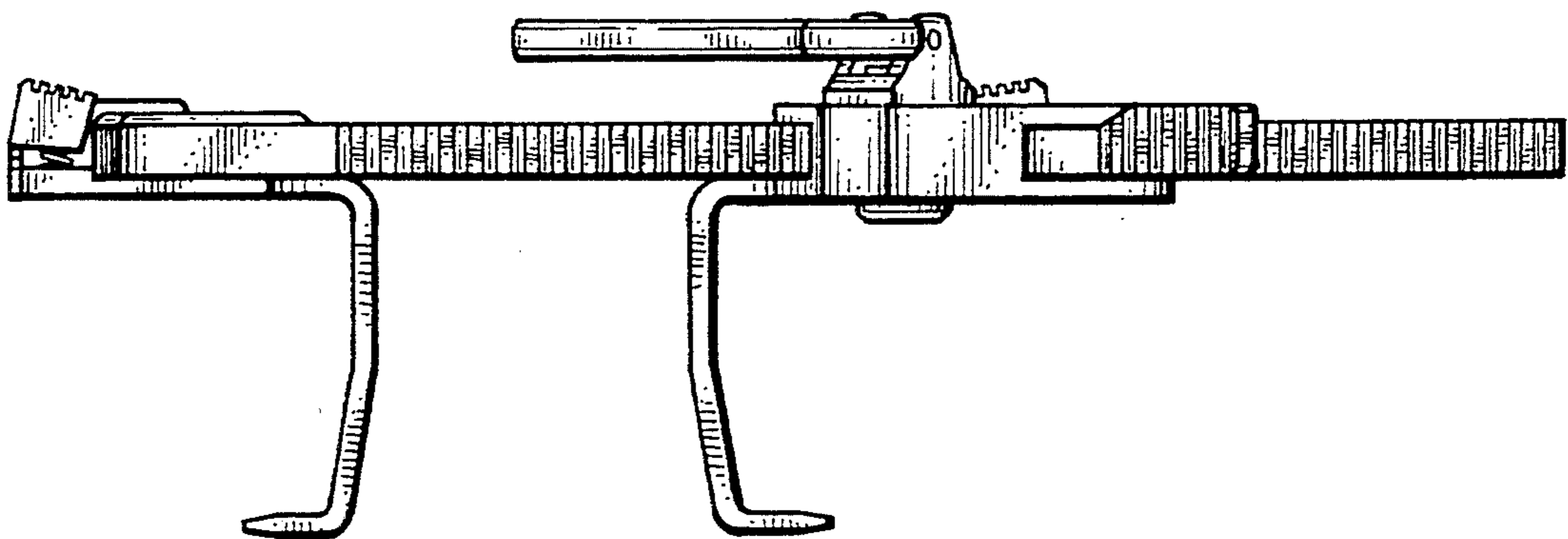




*Fig. 1.*



*Fig. 2.*



*Fig. 3.*

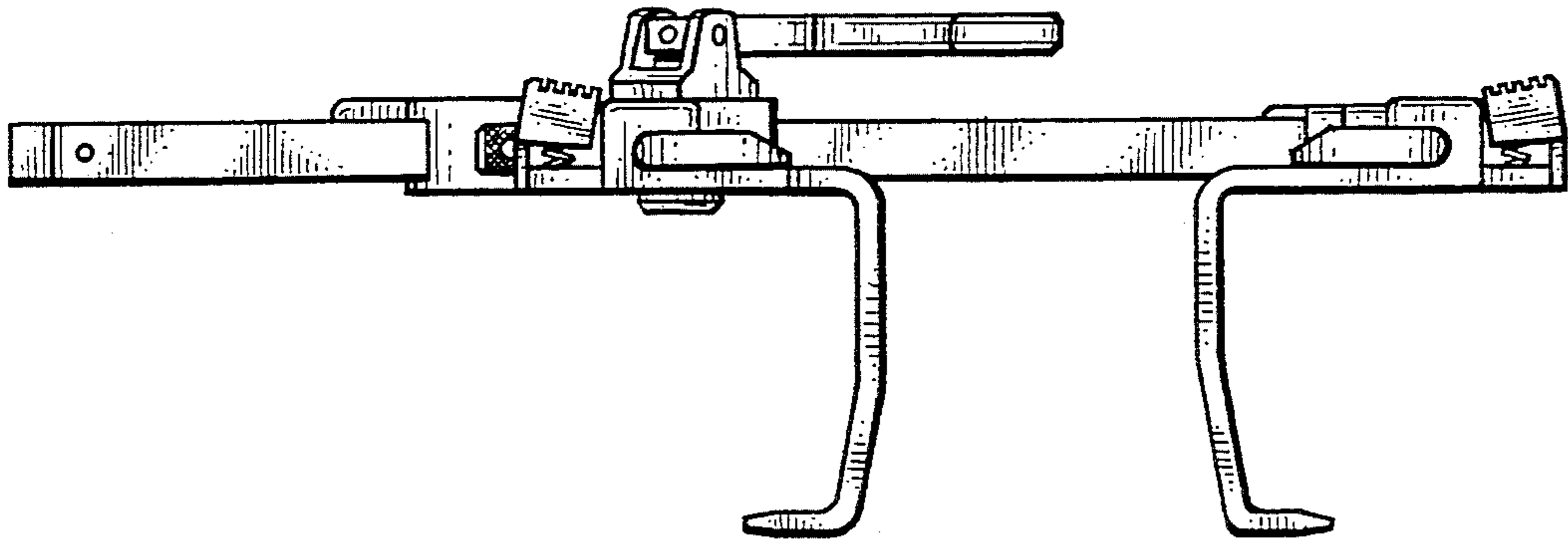


Fig. 4.

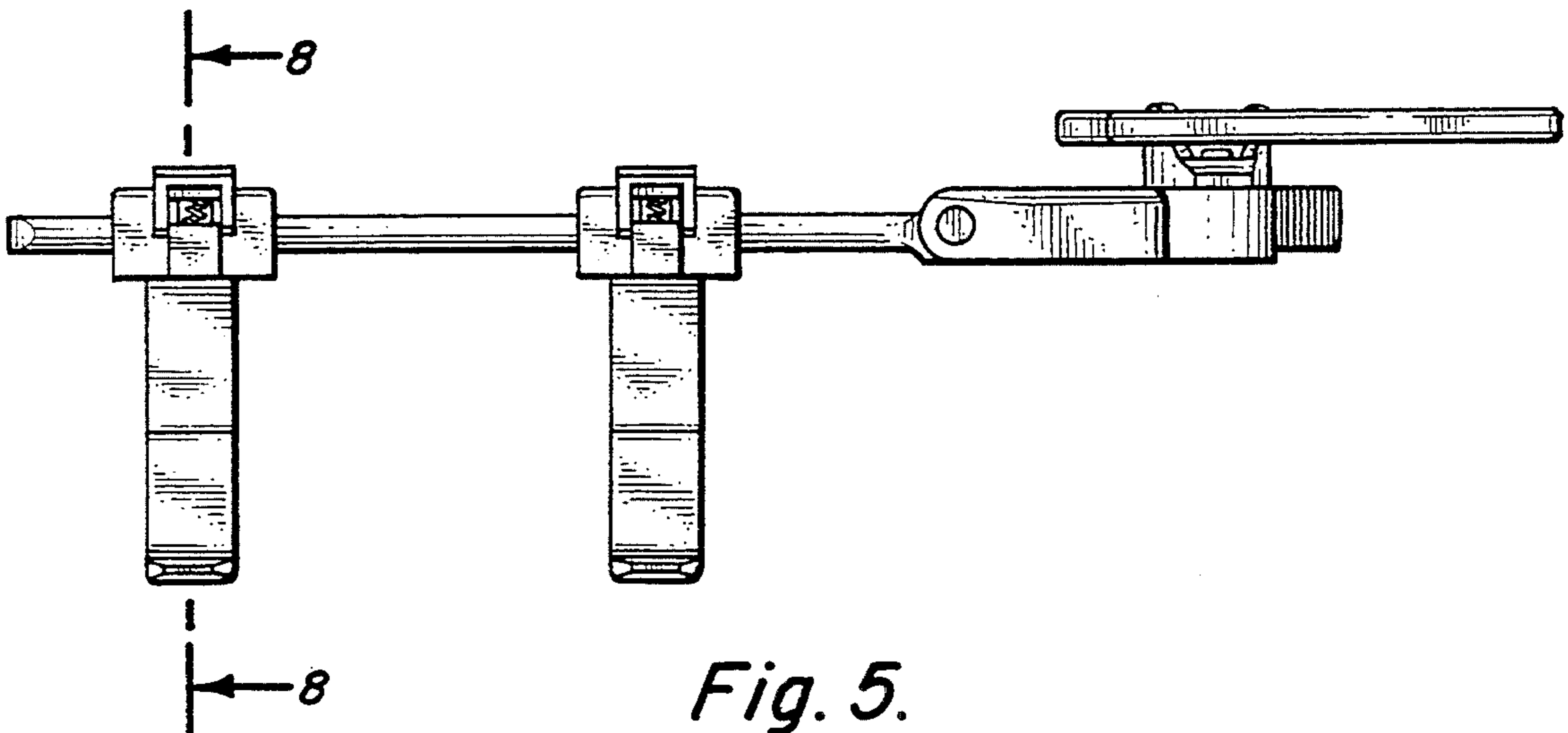


Fig. 5.

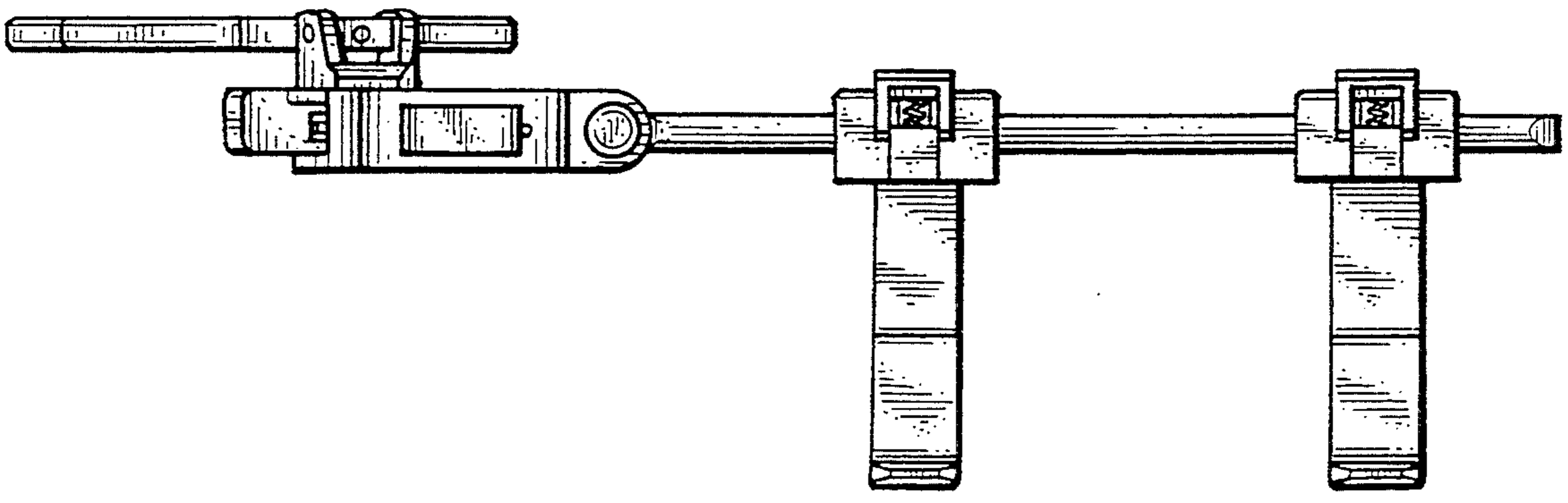
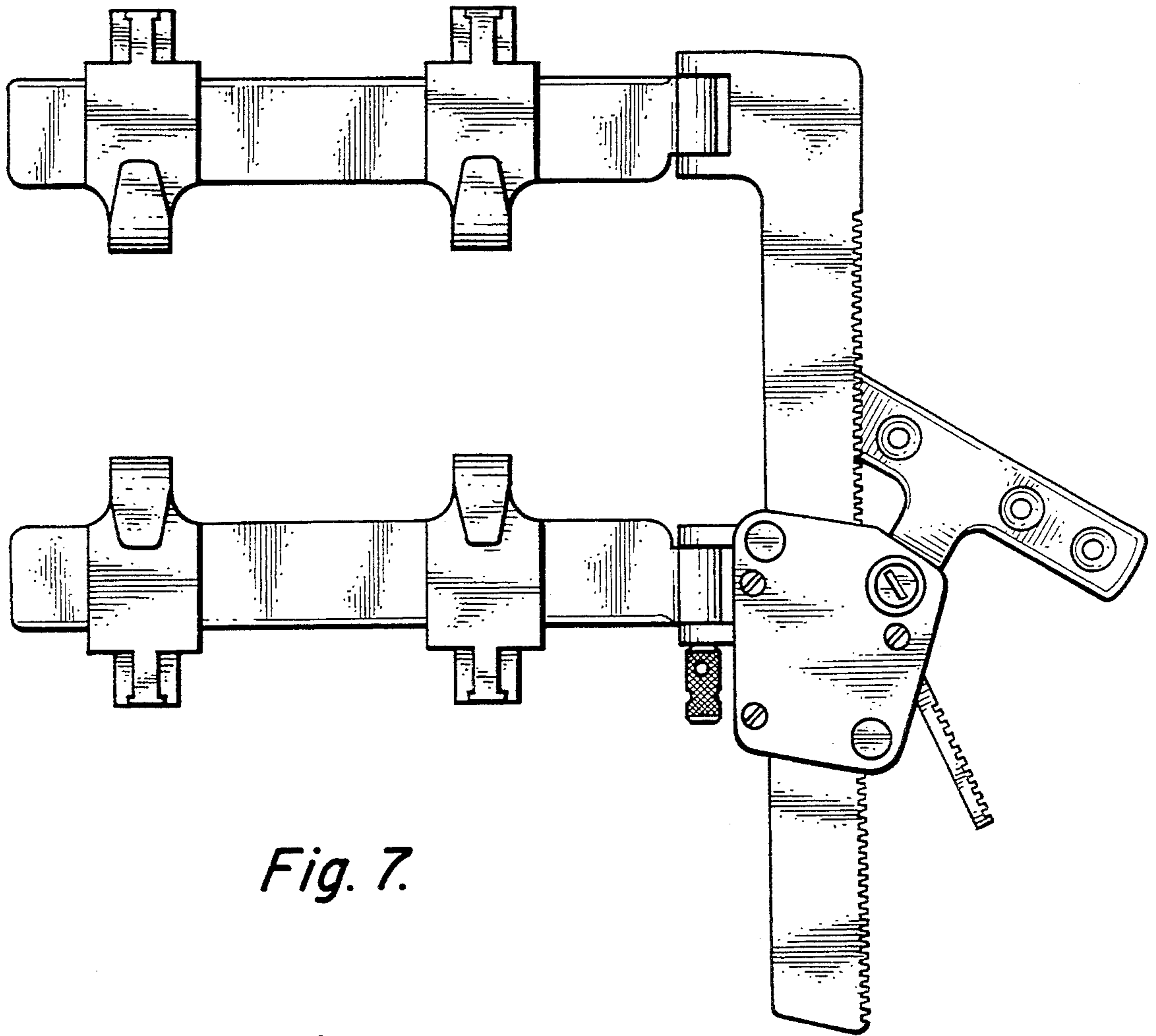
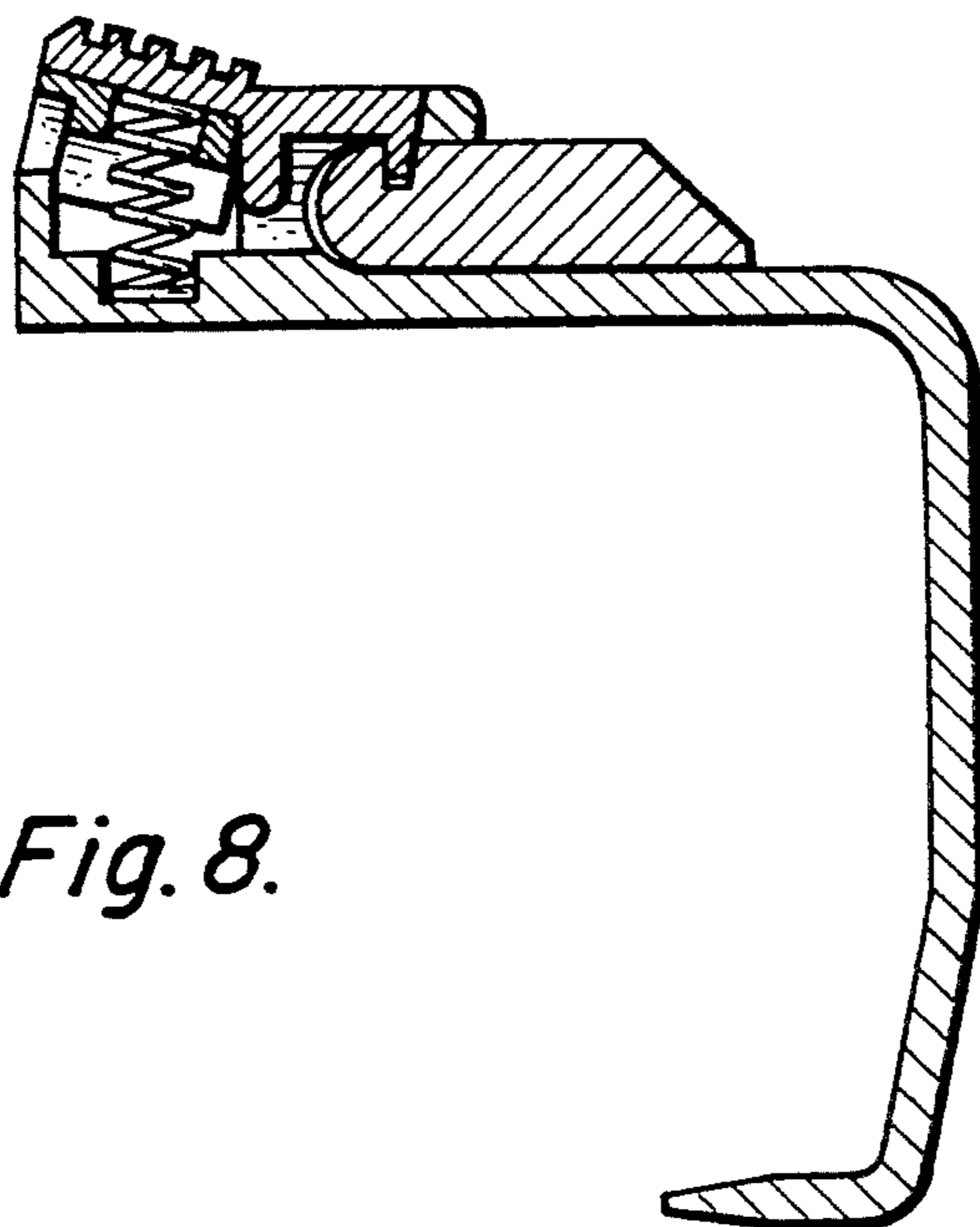


Fig. 6.



*Fig. 7.*



*Fig. 8.*