



US00D361379S

# United States Patent [19]

Sancoff et al.

[11] Patent Number: Des. 361,379

[45] Date of Patent: \*\* Aug. 15, 1995

[54] **INFUSION PUMP**

[75] Inventors: **Gregory E. Sancoff**, Rancho Sante Fe; **Mark C. Doyle**, San Diego; **Frederic P. Field**, Solana Beach, all of Calif.

[73] Assignee: **River Medical, Inc.**, San Diego, Calif.

[\*\*] Term: **14 Years**

[21] Appl. No.: **15,663**

[22] Filed: **Nov. 23, 1993**

4,237,881	12/1980	Beigler et al. .	
4,379,453	4/1983	Baron .	
4,507,116	3/1985	Leibinsohn .	
4,614,515	9/1986	Tripp et al. .	
4,675,020	6/1987	McPhee .	
4,784,652	11/1988	Wikstrom .	
4,898,209	2/1990	Zbed .	
4,902,278	2/1990	Maget et al. .	
4,923,095	5/1990	Dorfman et al. .	
5,080,652	1/1992	Sancoff et al. .	
5,090,963	2/1992	Gross et al. ....	604/132
5,106,374	4/1992	Apperson et al. .	
5,242,406	9/1993	Gross et al. ....	604/132
5,306,257	4/1994	Zoeb .....	604/131
5,328,464	7/1994	Kriesel et al. ....	604/247 X
5,354,278	10/1994	Kriesel .....	604/132

### Related U.S. Application Data

[63] Continuation-in-part of Ser. No. 105,327, Aug. 6, 1993, Pat. No. 5,398,851, and a continuation-in-part of Ser. No. 105,284, Aug. 6, 1993, Pat. No. 5,397,303.

[52] U.S. Cl. .... **D24/111; D24/129; D24/162**

[58] Field of Search ..... **D24/111, 108, 115, 121, D24/224, 162; 128/DIG. 13, DIG. 12; 604/140, 141, 142, 143, 153, 151, 150, 23, 83, 131, 82, 123, 132**

[56] **References Cited**

### U.S. PATENT DOCUMENTS

Re. 24,918	1/1961	Mills .	
D. 324,911	3/1992	Sancoff et al. ....	D24/111
D. 339,193	9/1993	Thompson et al. ....	D24/111
1,731,767	10/1929	Cramer .	
2,815,152	12/1957	Mills .	
3,023,750	3/1962	Baron .	
3,096,000	7/1963	Staley .	
3,178,075	4/1965	Riedl et al. .	
3,662,929	5/1972	Sims .	
3,840,009	10/1974	Michaels et al. .	
3,894,538	7/1975	Richter .	

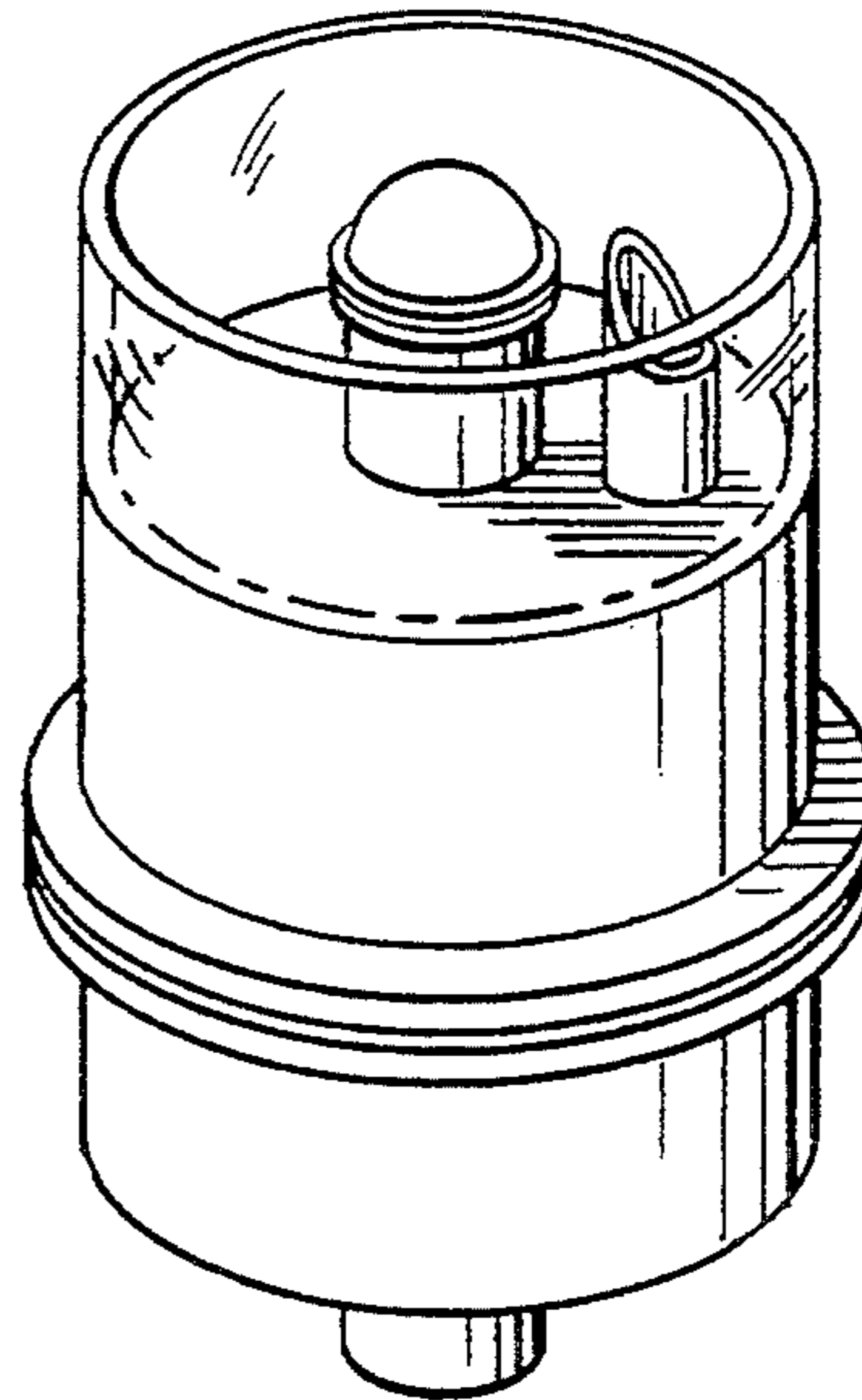
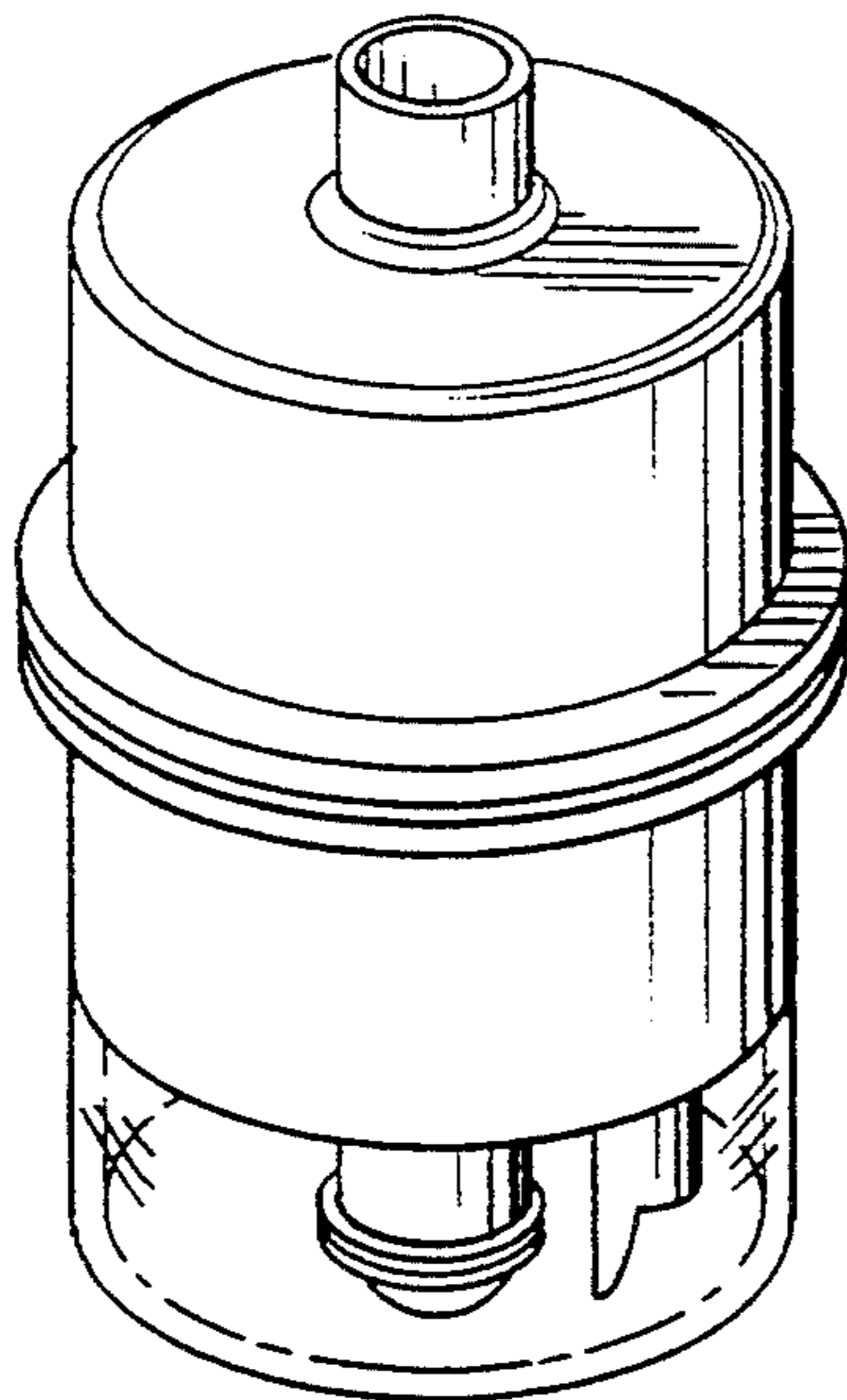
*Primary Examiner*—Louis S. Zarfaz  
*Assistant Examiner*—I. Simmons  
*Attorney, Agent, or Firm*—Knobbe, Martens, Olson & Bear

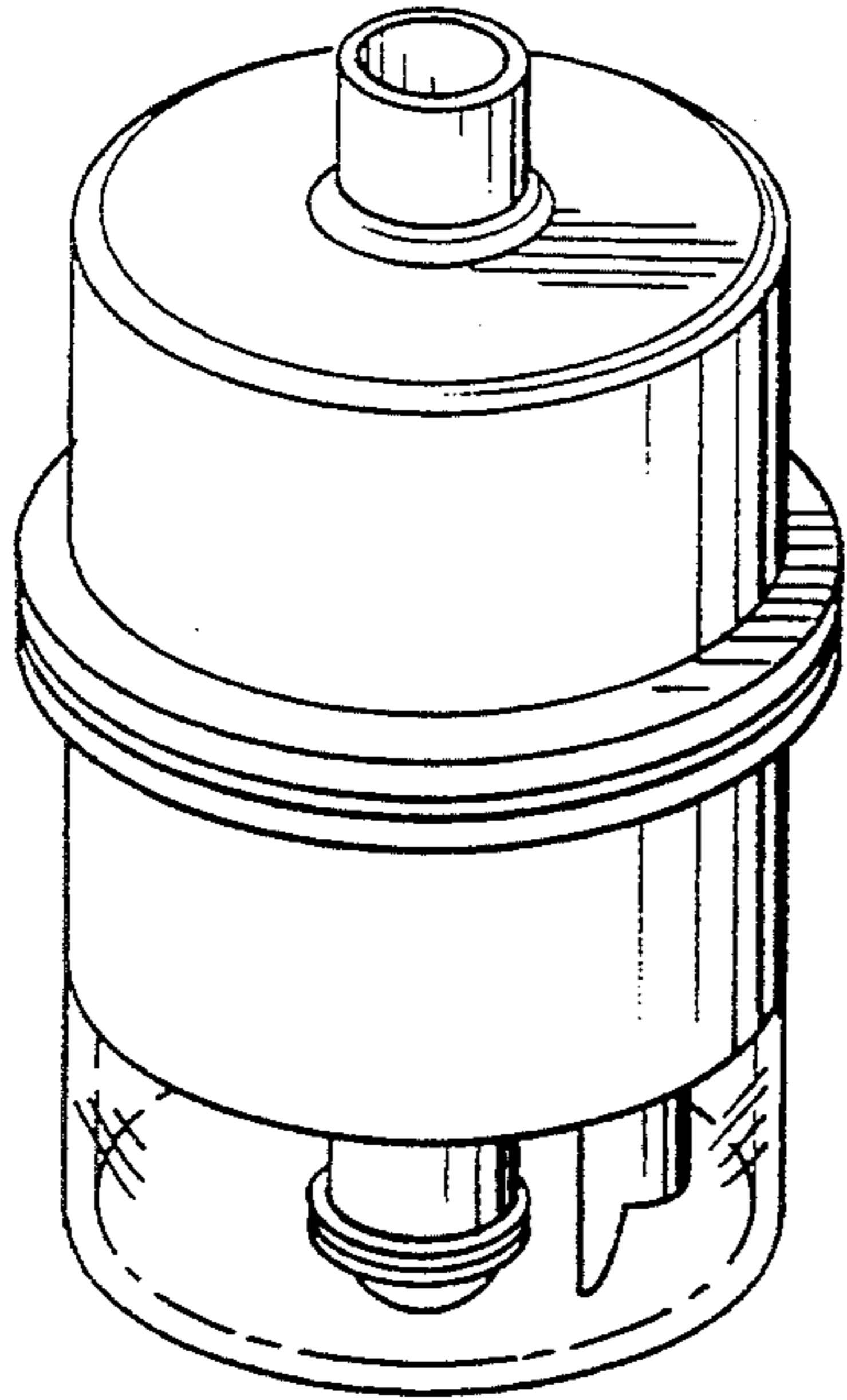
[57] **CLAIM**

The ornamental design for an infusion pump, as shown and described.

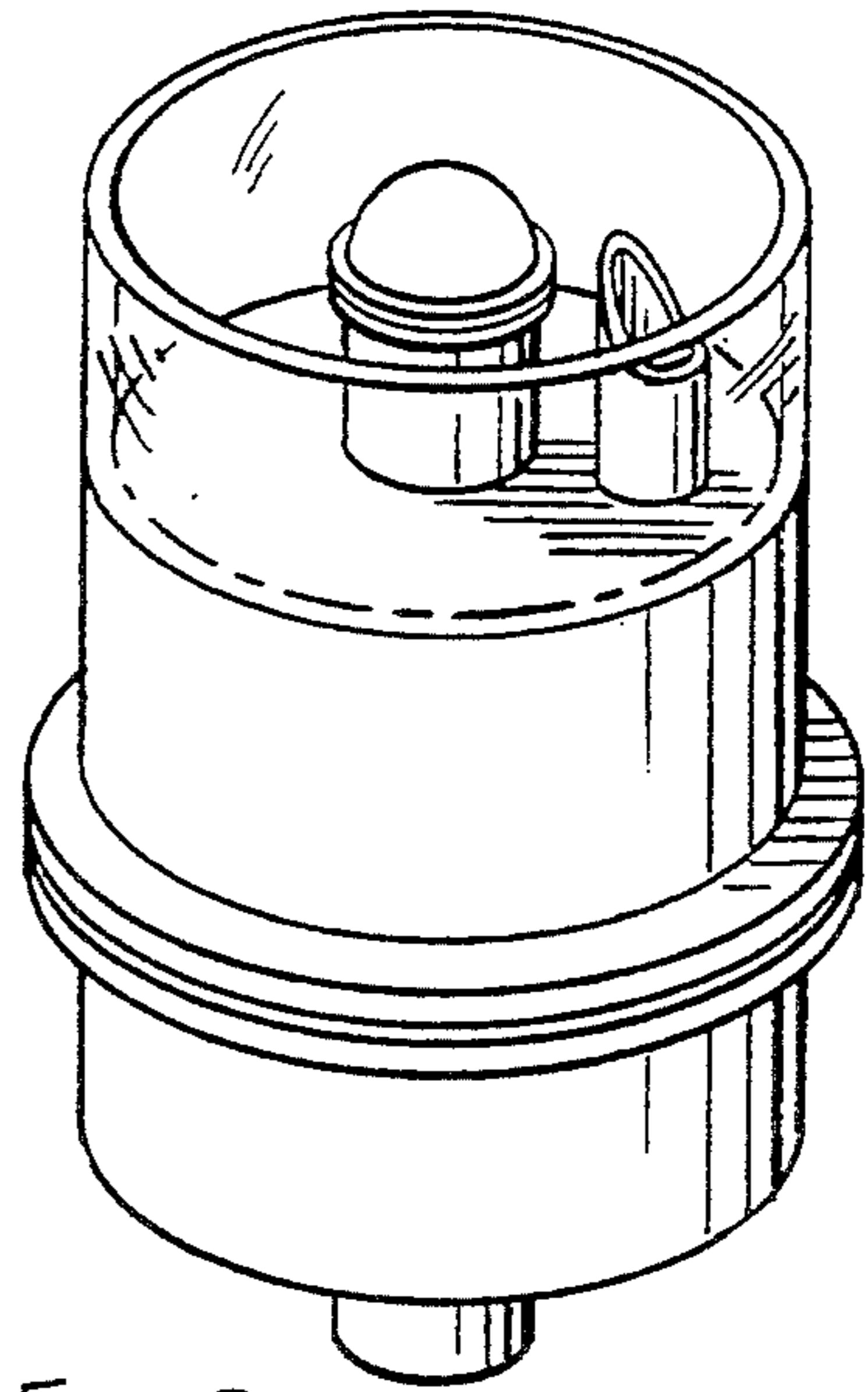
### DESCRIPTION

FIG. 1 is a top perspective view of the infusion pump of the present invention;  
FIG. 2 is a bottom perspective view of the infusion pump of the present invention;  
FIG. 3 is a top elevational view of the infusion pump of the present invention;  
FIG. 4 is a bottom elevational view of the infusion pump of the present invention;  
FIG. 5 is a side elevational view of the infusion pump of the present invention; and,  
FIG. is a side elevational view of the infusion pump of the present invention, rotated ninety degrees on its axis relative to FIG. 5.

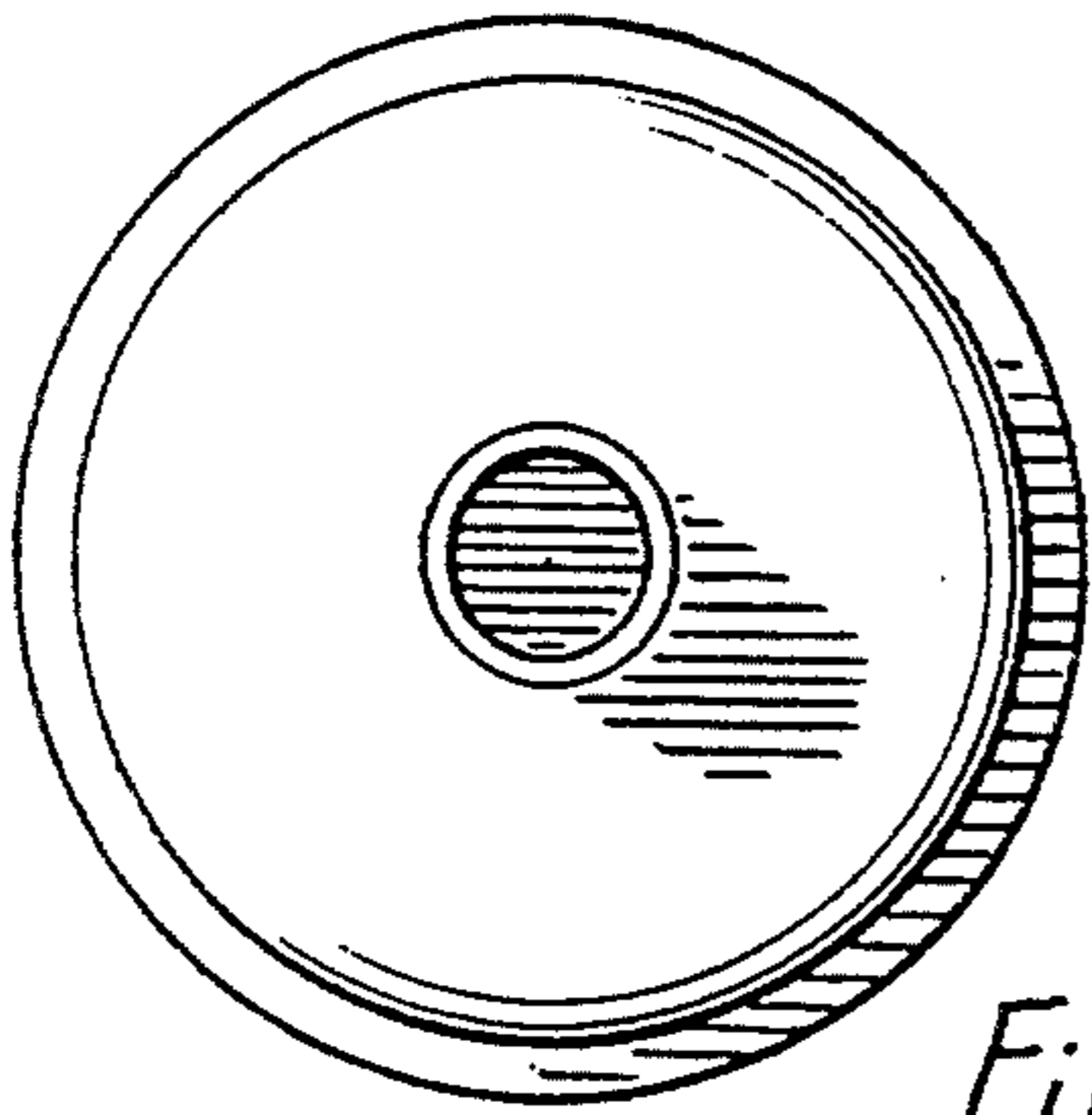




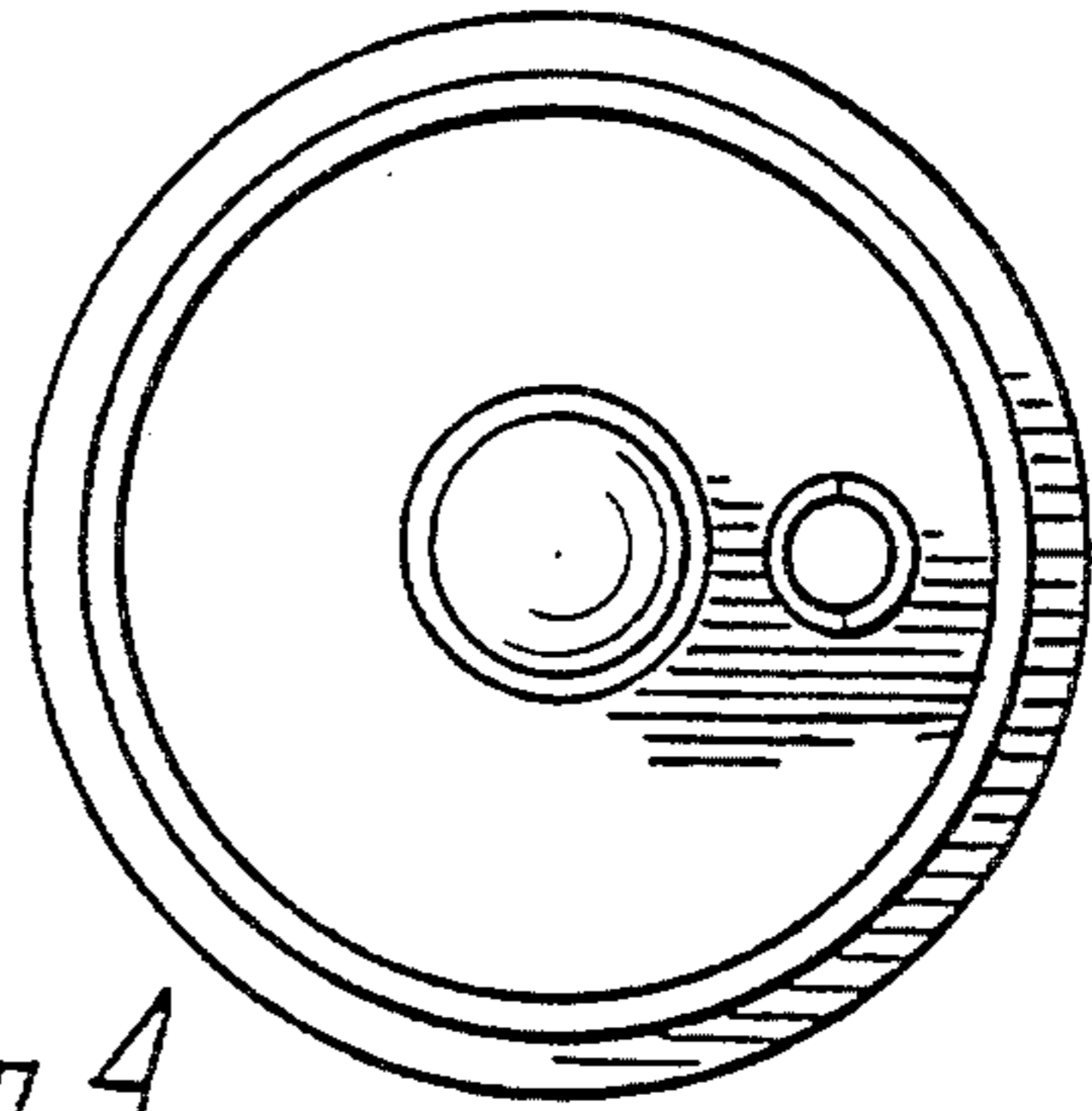
*Fig. 1*



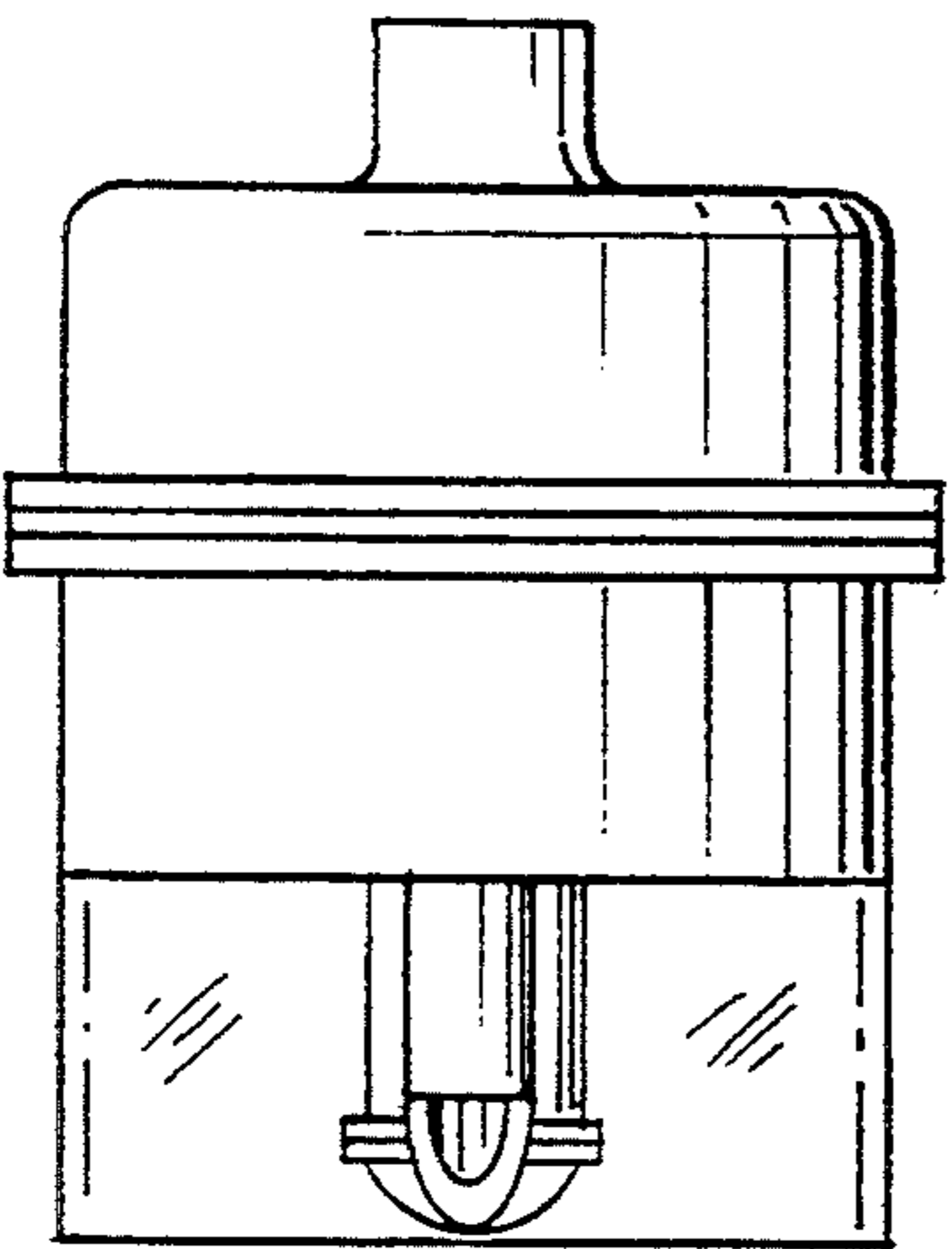
*Fig. 2*



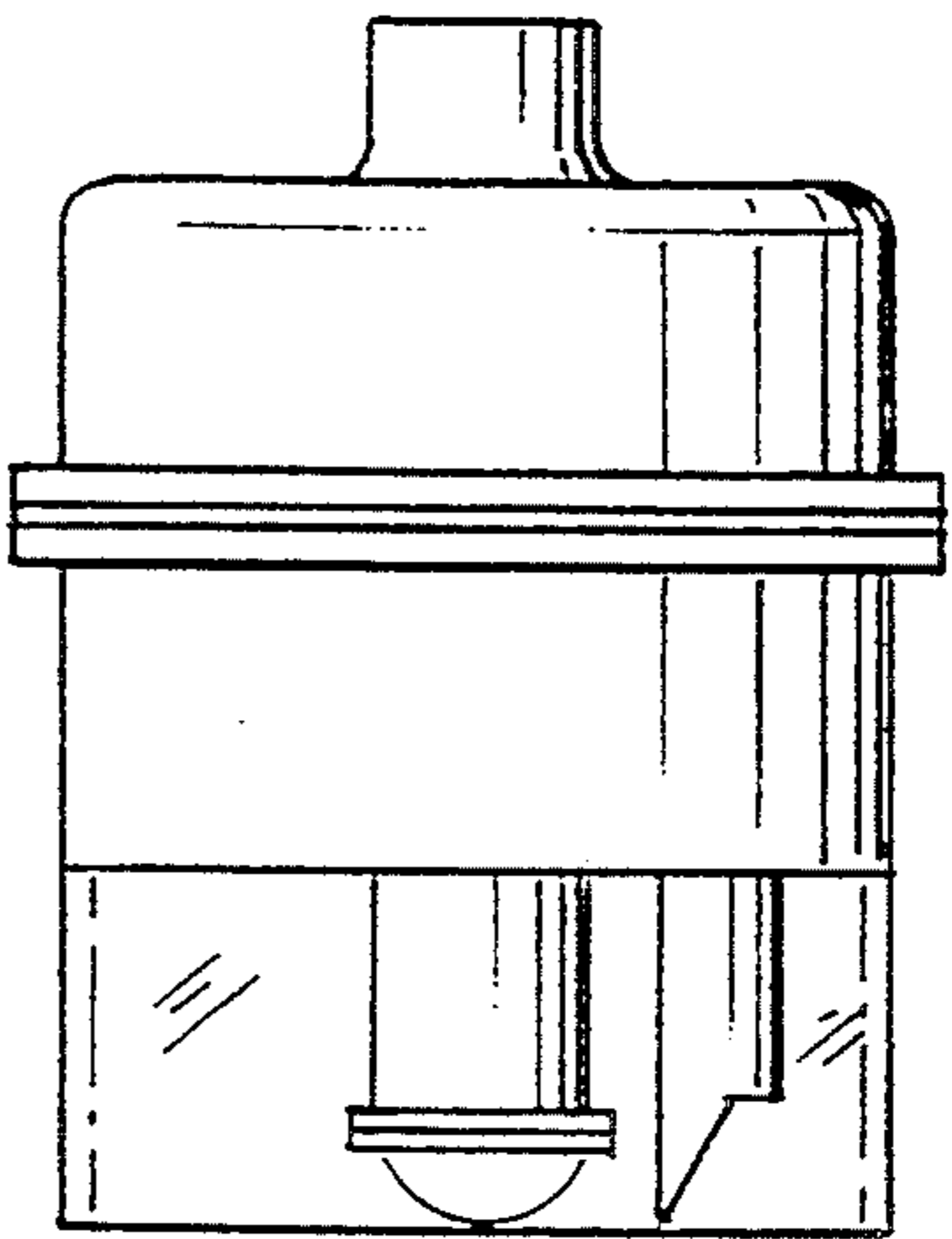
*Fig. 3*



*Fig. 4*



*Fig. 5*



*Fig. 6*