



US00D361376S

United States Patent [19]

[11] Patent Number: **Des. 361,376**

Isabelle et al.

[45] Date of Patent: **** Aug. 15, 1995**

[54] **FRONT PORTION OF A KITCHEN HOOD**

[75] Inventors: **Paul Isabelle; Aldo Balatti**, both of St-Augustin de Desmaures; **Claude Labrecque**, Mont St-Hilaire, all of Canada

[73] Assignee: **Venmar Ventilation Inc.**, Drummondville, Canada

[**] Term: **14 Years**

[21] Appl. No.: **12,261**

[22] Filed: **Aug. 27, 1993**

[30] **Foreign Application Priority Data**

Aug. 26, 1993 [CA]	Canada	26-08-93-1
[52] U.S. Cl.		D23/372; D7/406
[58] Field of Search		D23/372; 126/299 D, 126/299 R; D7/406

[56] **References Cited**

U.S. PATENT DOCUMENTS

3,075,335	1/1963	Bandlow	126/299 D
3,690,245	9/1972	Ferlise et al.	126/299 D

FOREIGN PATENT DOCUMENTS

1107388	5/1961	Germany	126/299 D
---------	--------	---------	-----------

Primary Examiner—Lisa P. Lichtenstein
Attorney, Agent, or Firm—Ronald S. Kosie; Robert Brouillette

[57] **CLAIM**

The ornamental design for a front portion of a kitchen hood, as shown and described.

DESCRIPTION

FIG. 1 is a perspective view of the front portion of a kitchen hood;

FIG. 2 is a front view of the front portion of a kitchen hood;

FIG. 3 is a plan view of the front portion of a kitchen hood;

FIG. 4 is a right elevation view of the front portion of a kitchen hood;

FIG. 5 is a bottom view of the front portion of a kitchen hood;

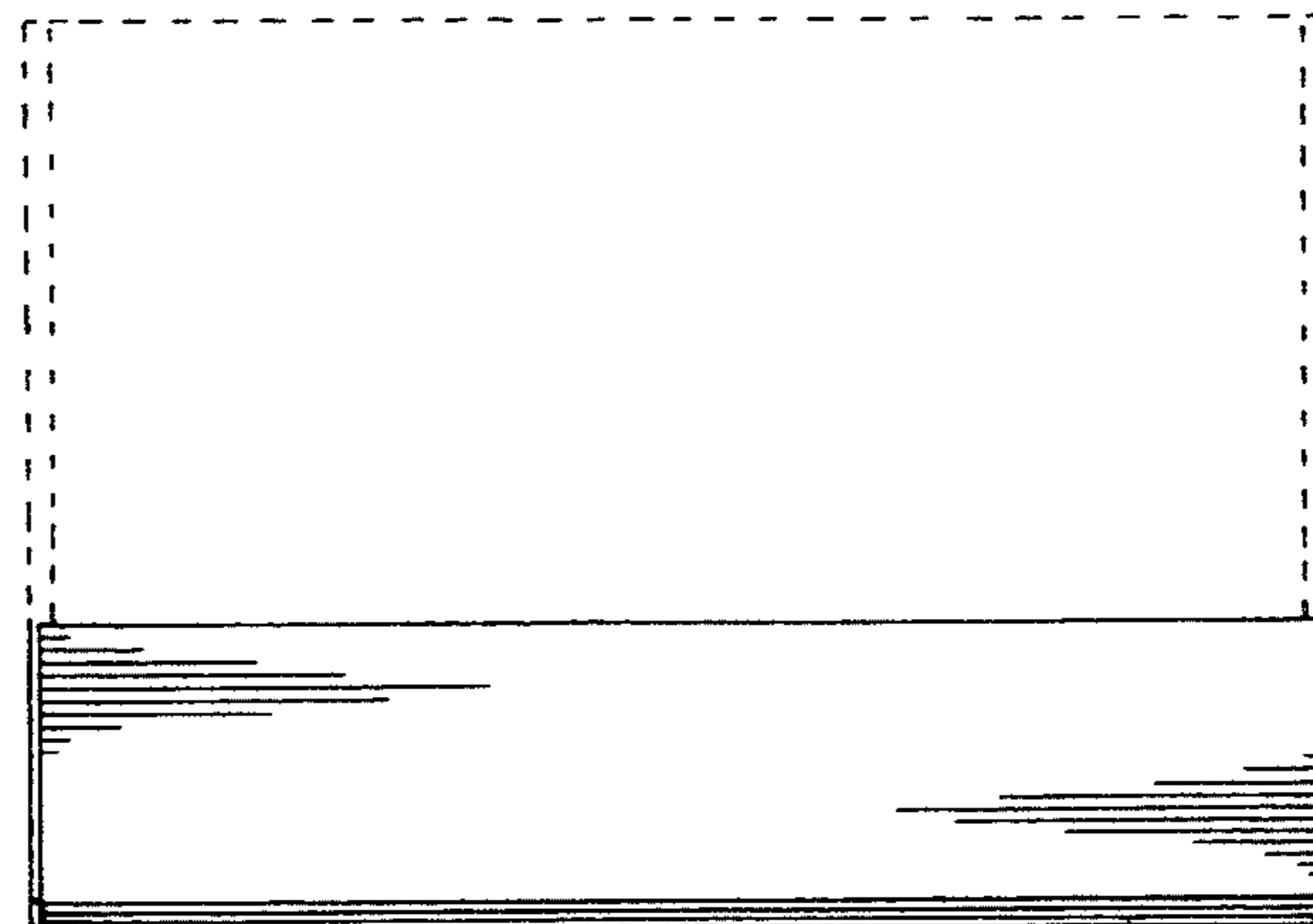
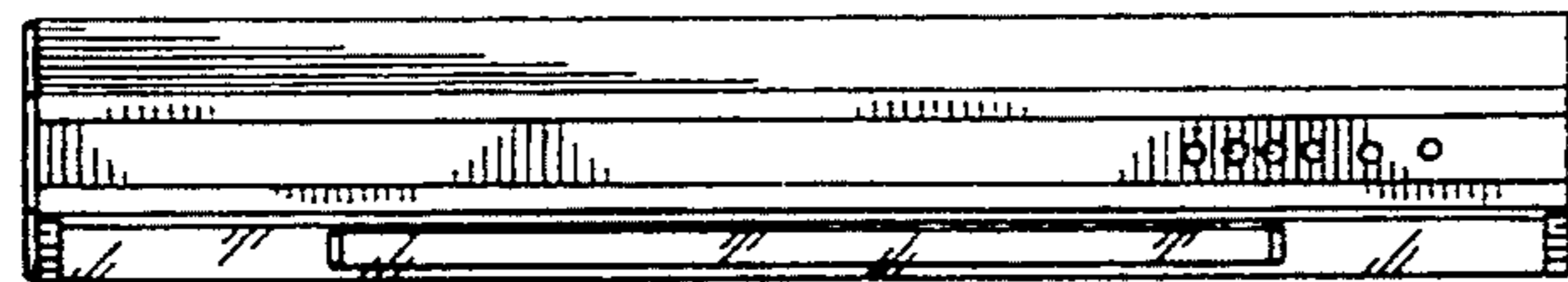
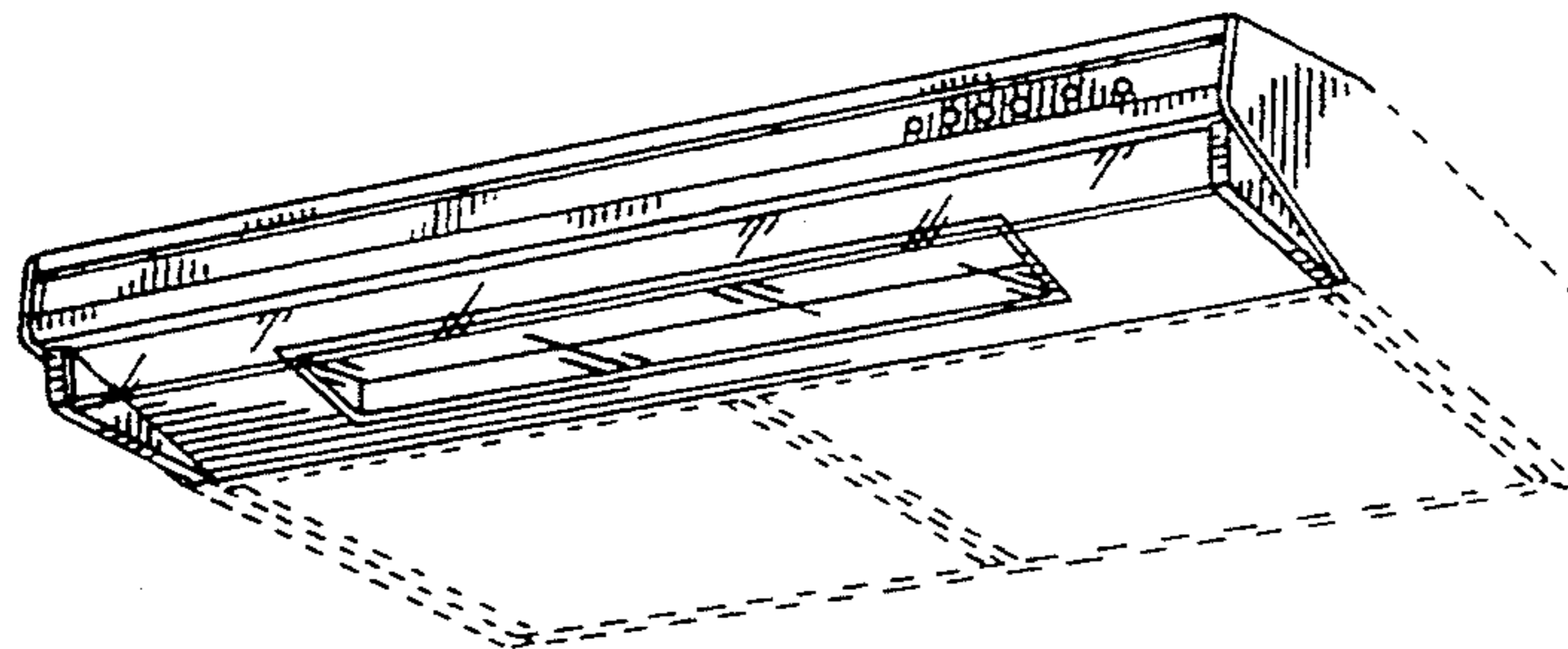
FIG. 6 is a bottom view of the front portion of a kitchen hood showing a second embodiment of our new design;

FIG. 7 is a front view of the front portion of a kitchen hood;

FIG. 8 is a plan view of the front portion of a kitchen hood of FIG. 6;

FIG. 9 is a right elevation view of the front portion of a kitchen hood of FIG. 6; and,

FIG. 10 is a bottom view of the front portion of a kitchen hood of FIG. 6.



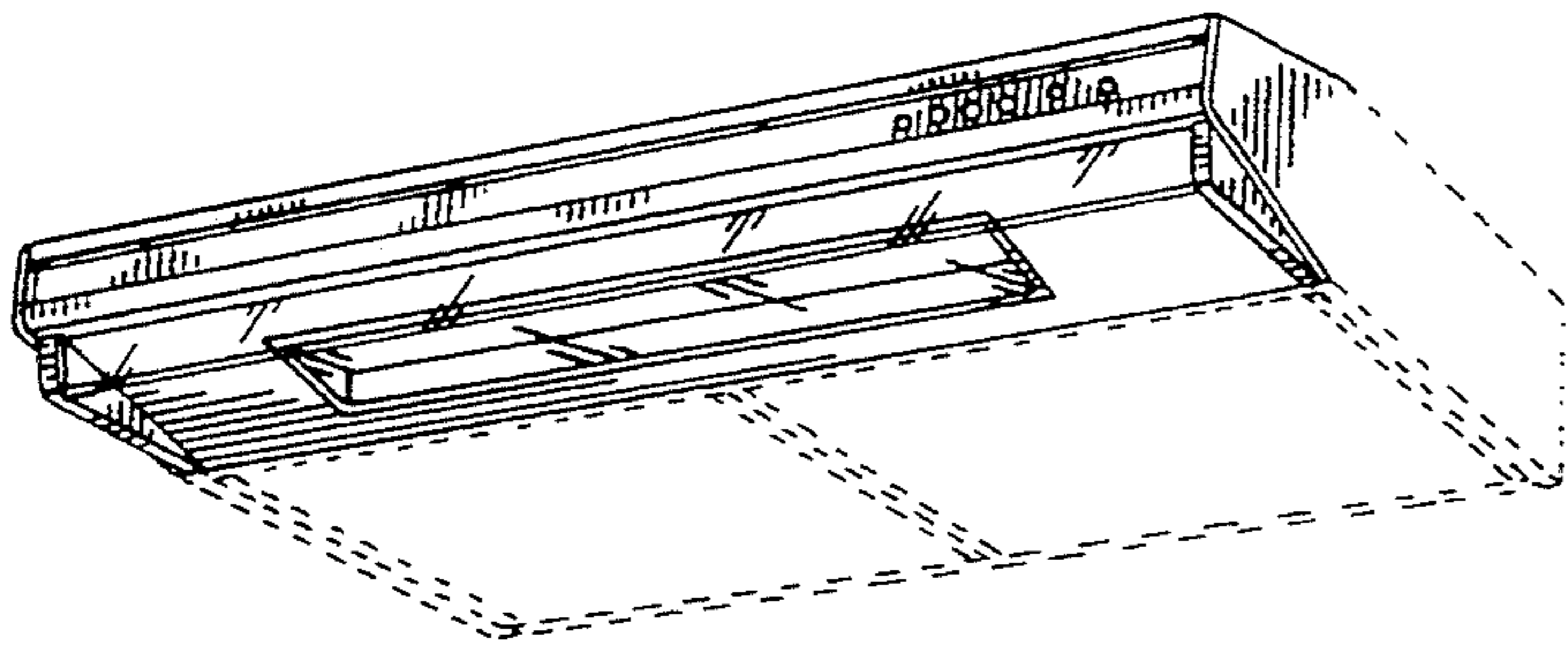


FIG. 1

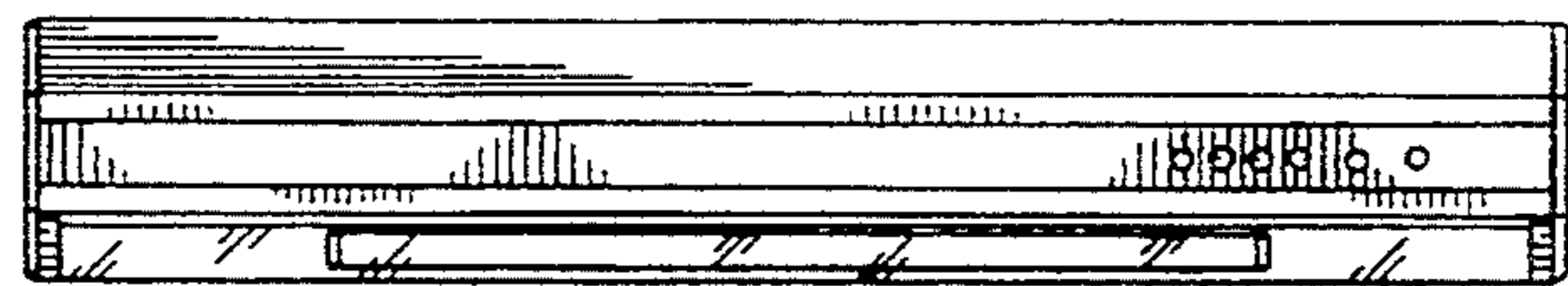


FIG. 2



FIG. 4

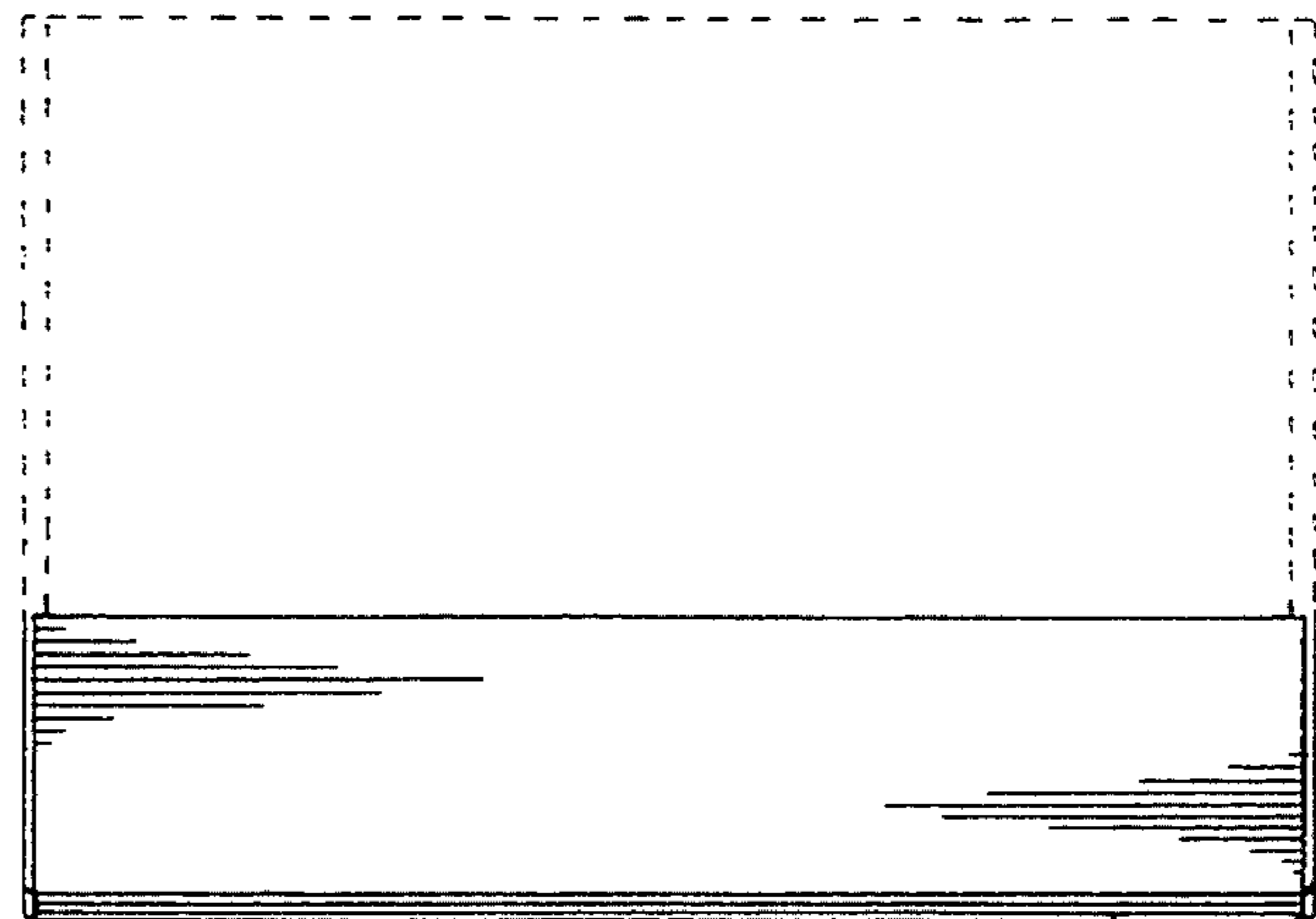


FIG. 3

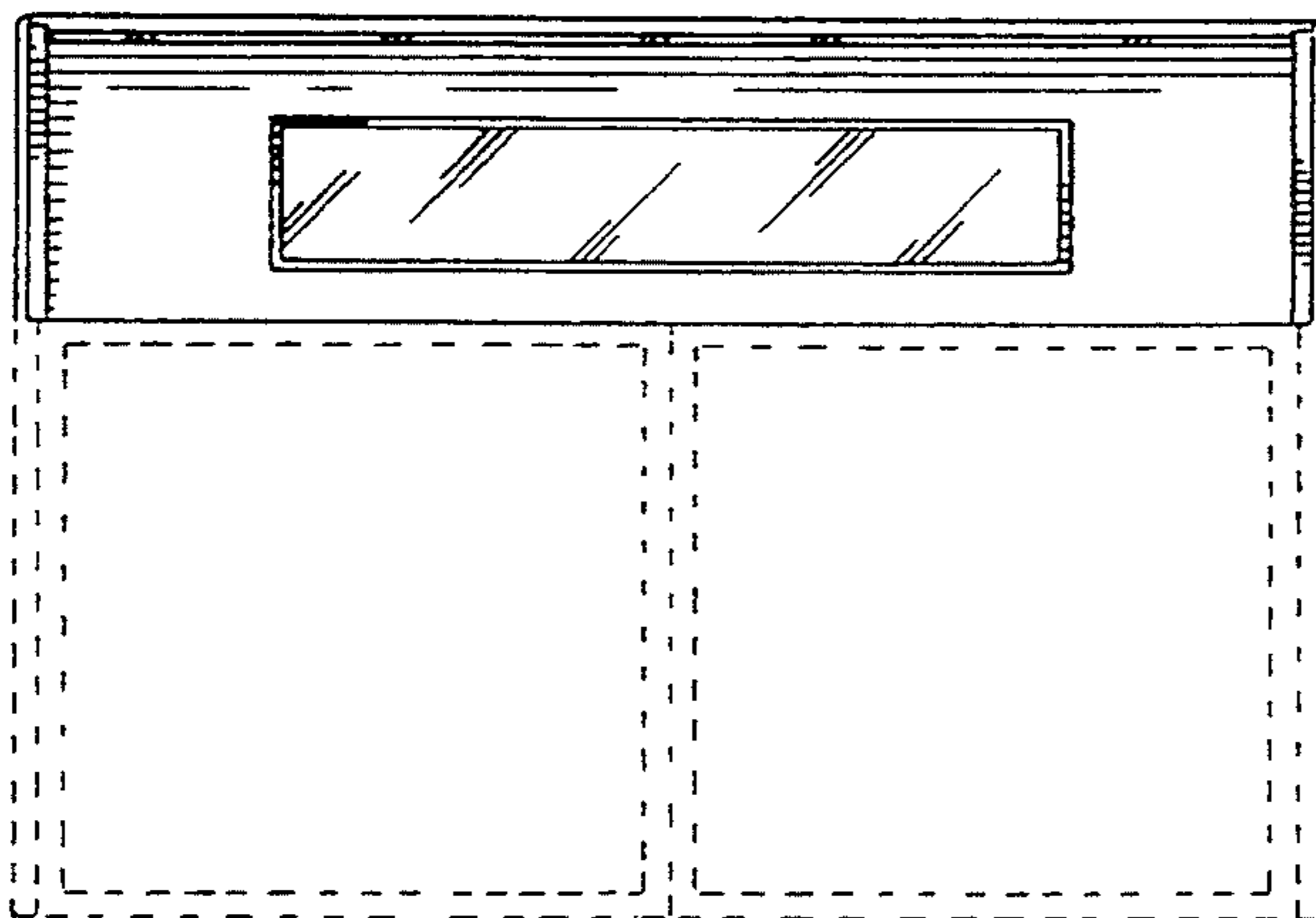


FIG. 5

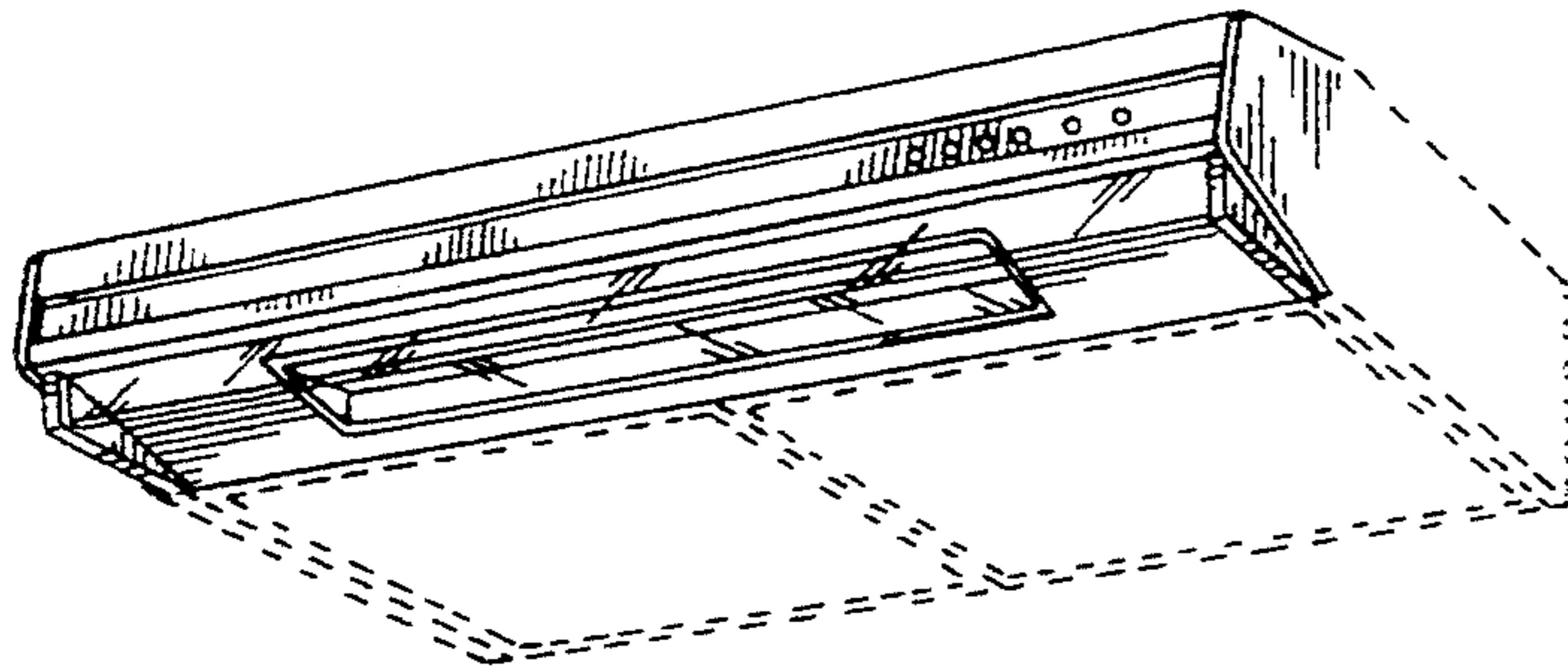


FIG. 6

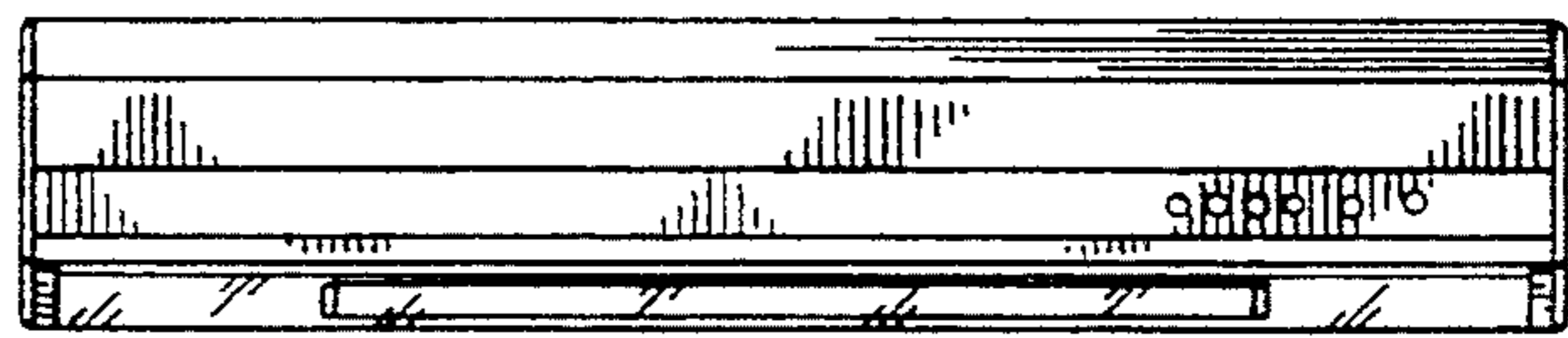


FIG. 7



FIG. 9

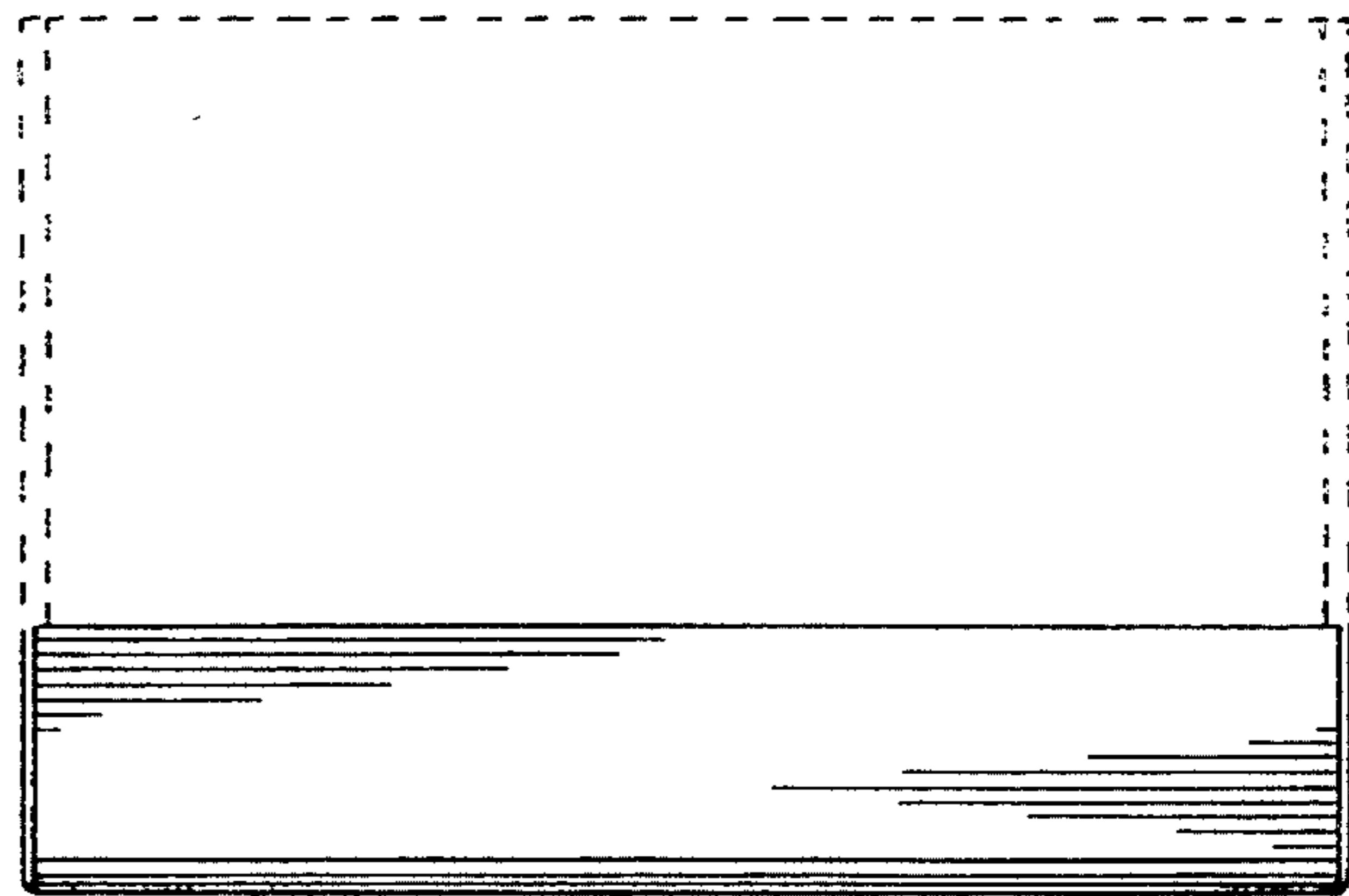


FIG. 8

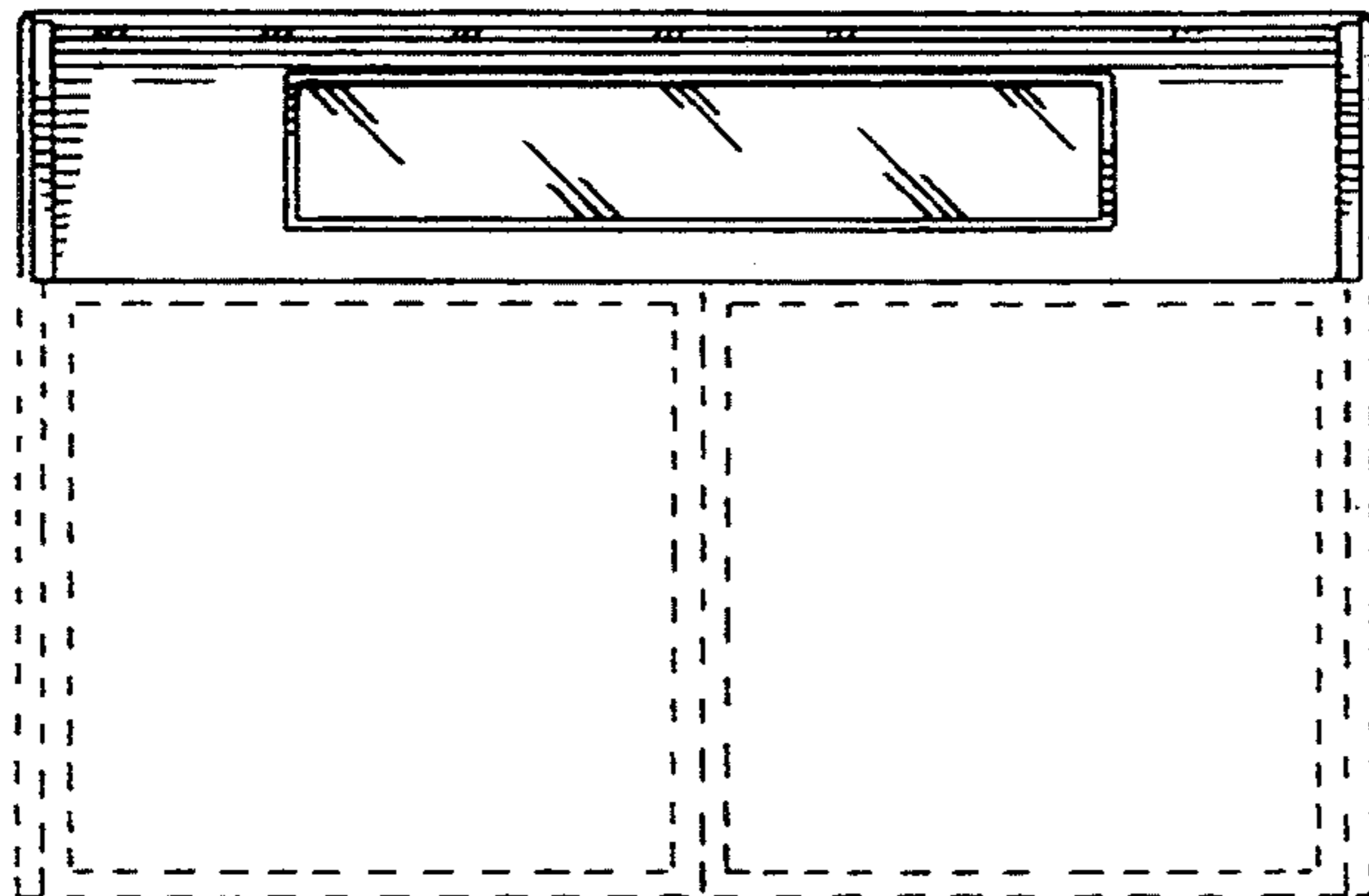


FIG. 10