



US00D361372S

United States Patent [19]

[11] Patent Number: Des. 361,372

Enthoven

[45] Date of Patent: ** Aug. 15, 1995

- [54] DESIGN FOR A LAVATORY
- [75] Inventor: Axel Enthoven, Wijnegen, Belgium
- [73] Assignee: American Standard Inc., Piscataway, N.J.
- [**] Term: 14 Years
- [21] Appl. No.: 13,209
- [22] Filed: Sep. 20, 1993
- [52] U.S. Cl. D23/293.1
- [58] Field of Search D23/284-293.1

Primary Examiner—Louis S. Zarfaz
Assistant Examiner—Eric Watterson
Attorney, Agent, or Firm—Elaine Brenner Robinson;
 Ann M. Knab

[57] CLAIM

The ornamental design for a lavatory, as shown and described.

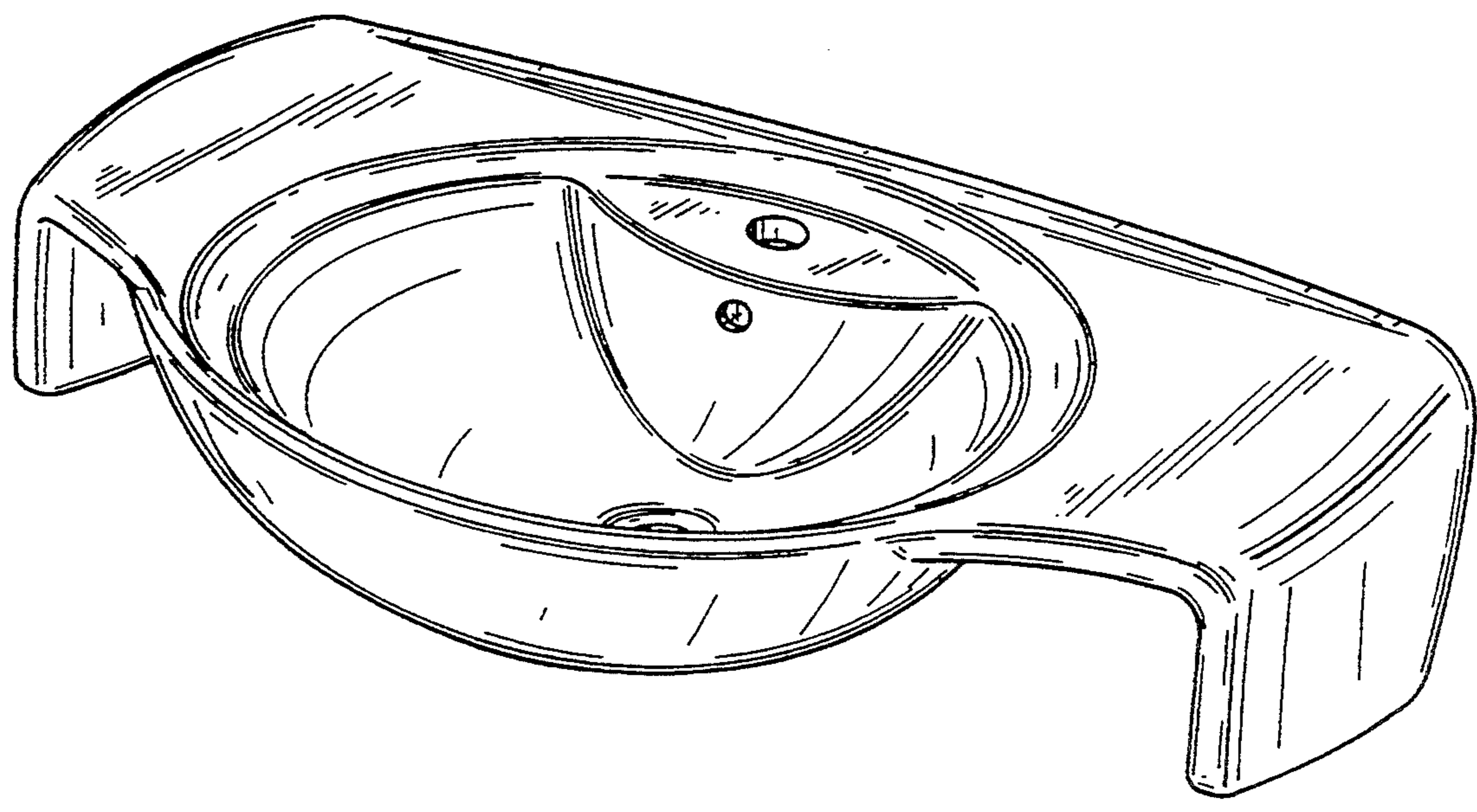
DESCRIPTION

FIG. 1 is a top, front and right side perspective view of a design for a lavatory showing my new design;
 FIG. 2 is a left side elevational view thereof, the right side being a mirror image of the left side;
 FIG. 3 is a front elevational view thereof;
 FIG. 4 is a top plan view thereof;
 FIG. 5 is a bottom plan view thereof;
 FIG. 6 is a rear elevational view thereof;
 FIG. 7 is a top, front and right side perspective view of a second embodiment thereof;
 FIG. 8 is a left side elevational view of FIG. 7, the right side being a mirror image of the left side;
 FIG. 9 is a front elevational view of FIG. 7;
 FIG. 10 is a top plan view of FIG. 7;
 FIG. 11 is a bottom plan view of FIG. 7; and,
 FIG. 12 is a rear elevational view of FIG. 7.

[56] **References Cited**

U.S. PATENT DOCUMENTS

D. 202,411	9/1965	Niemann	D23/293.1
D. 215,291	9/1969	Owings	D23/293.1
D. 218,520	8/1970	Audino et al.	D23/293.1
D. 222,465	10/1971	Anderson	D23/293.1
D. 238,070	12/1975	Ganger	D23/293.1
D. 246,050	10/1977	Garasi	D23/293.1
D. 260,678	9/1981	Hiller	D23/293.1
D. 312,123	11/1990	Enthoven	D23/293.1
D. 319,691	9/1991	Yvetot	D23/293.1
D. 332,996	2/1993	Hart et al.	D23/293.1
4,991,241	2/1991	Bergmann	4/619



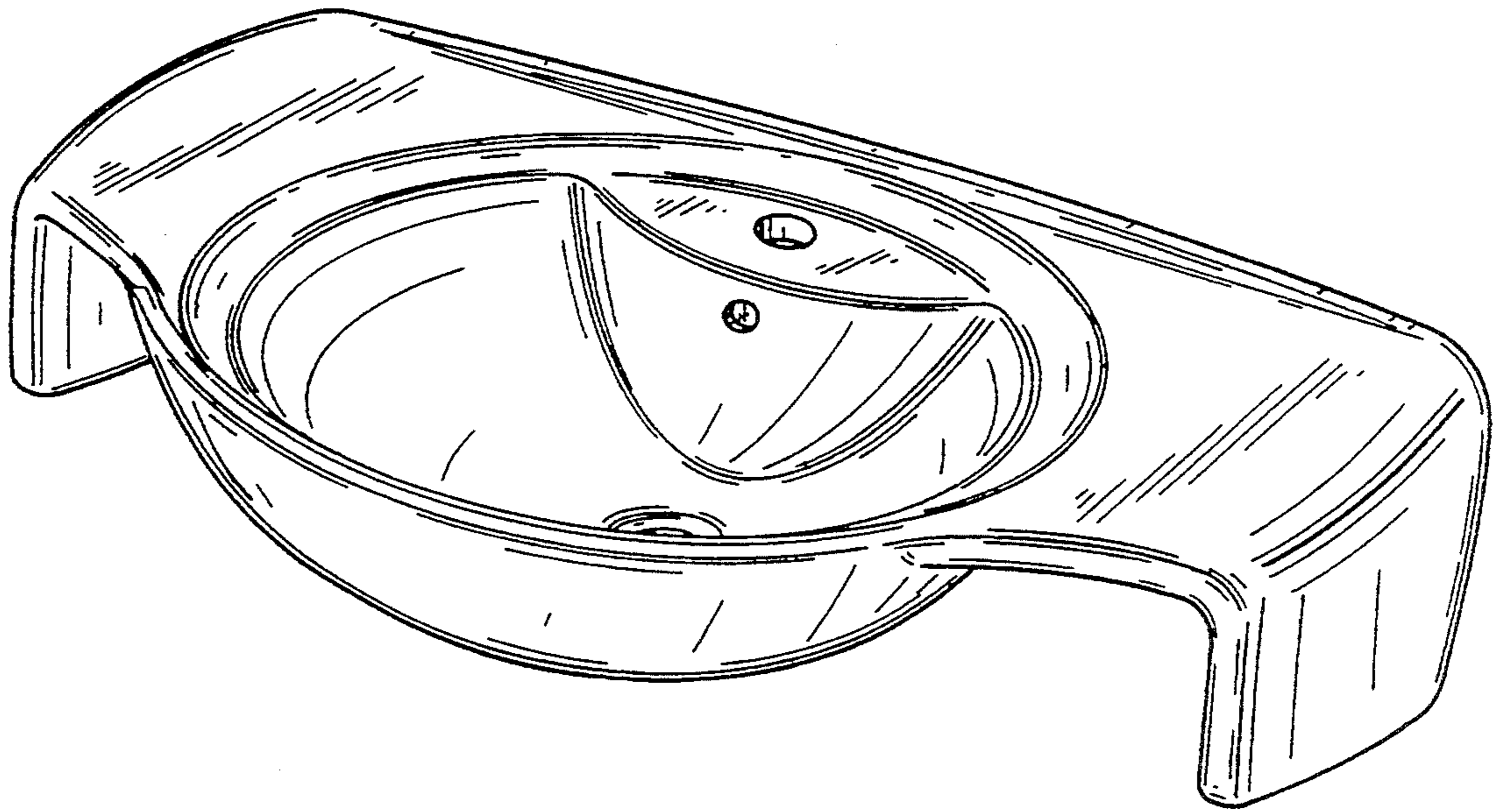


FIG. 1

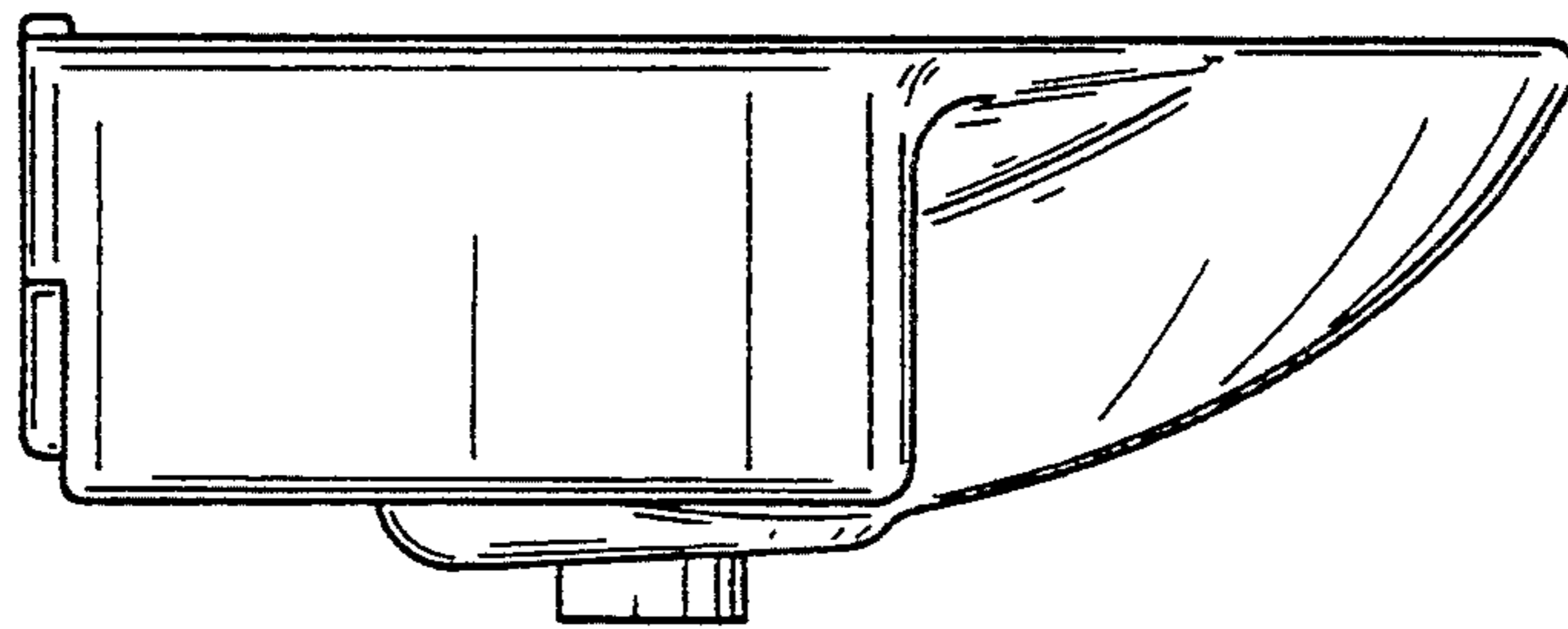


FIG. 2

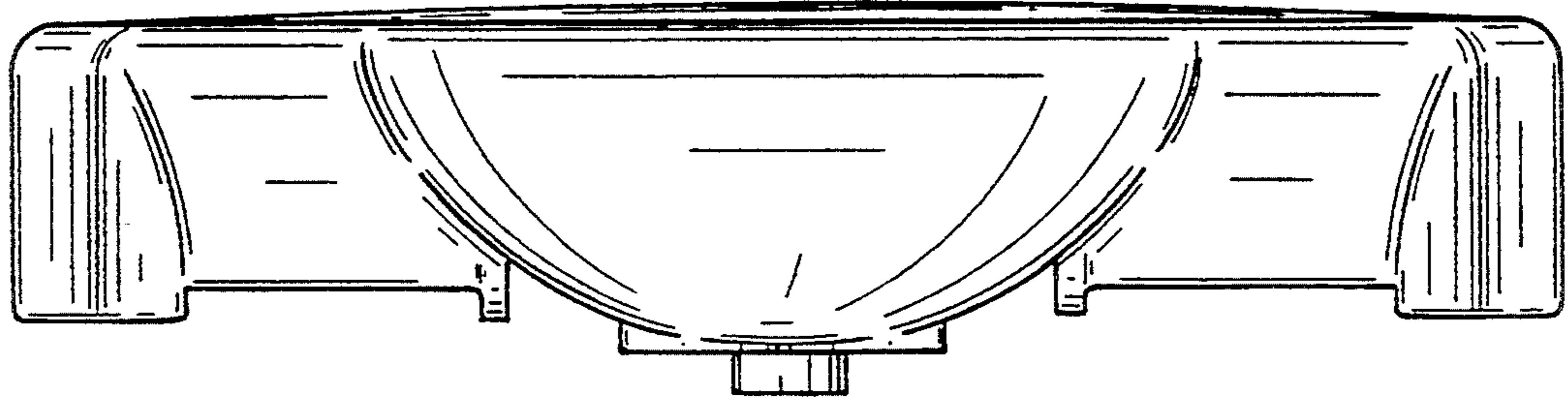


FIG. 3

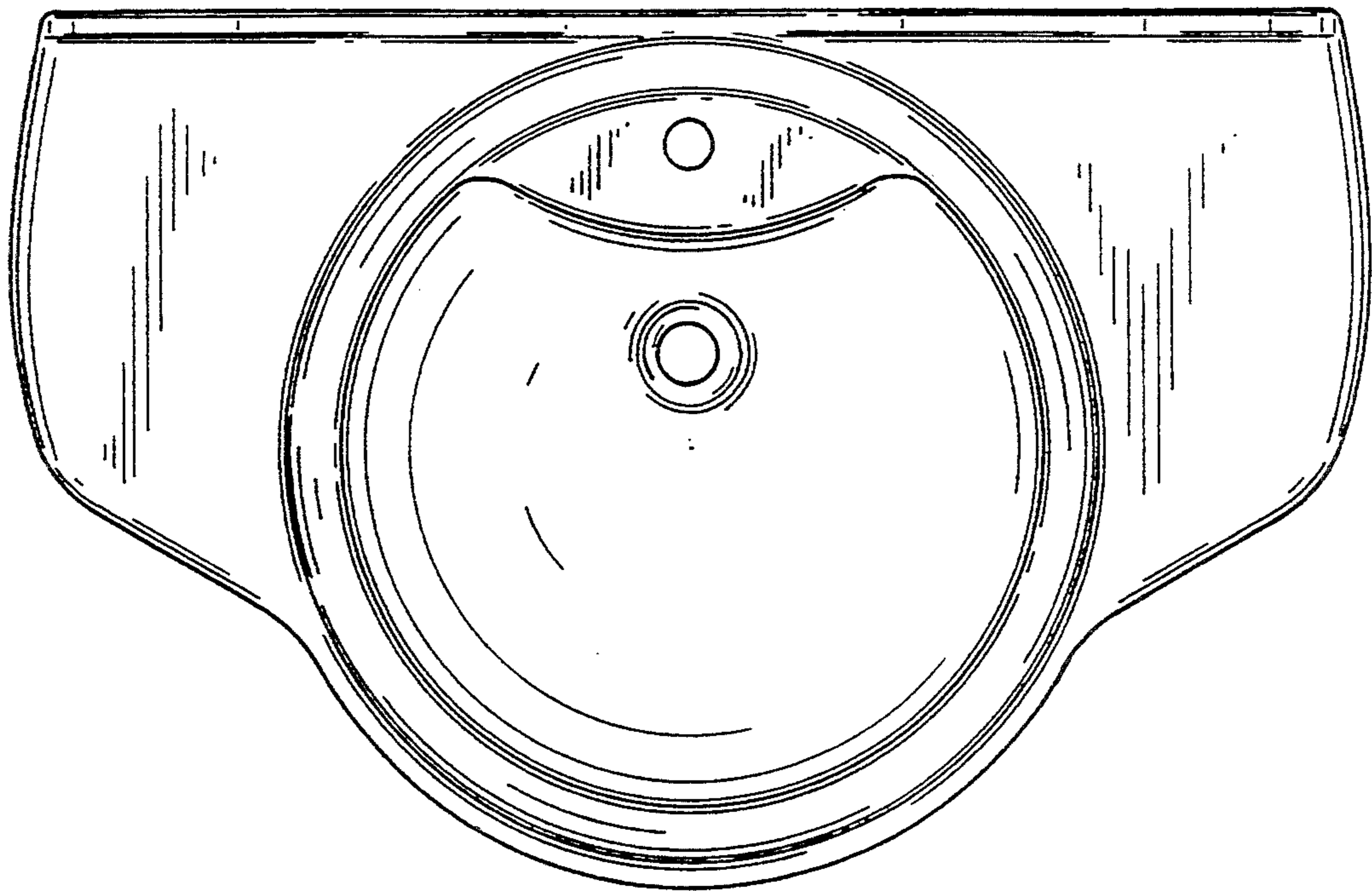


FIG. 4

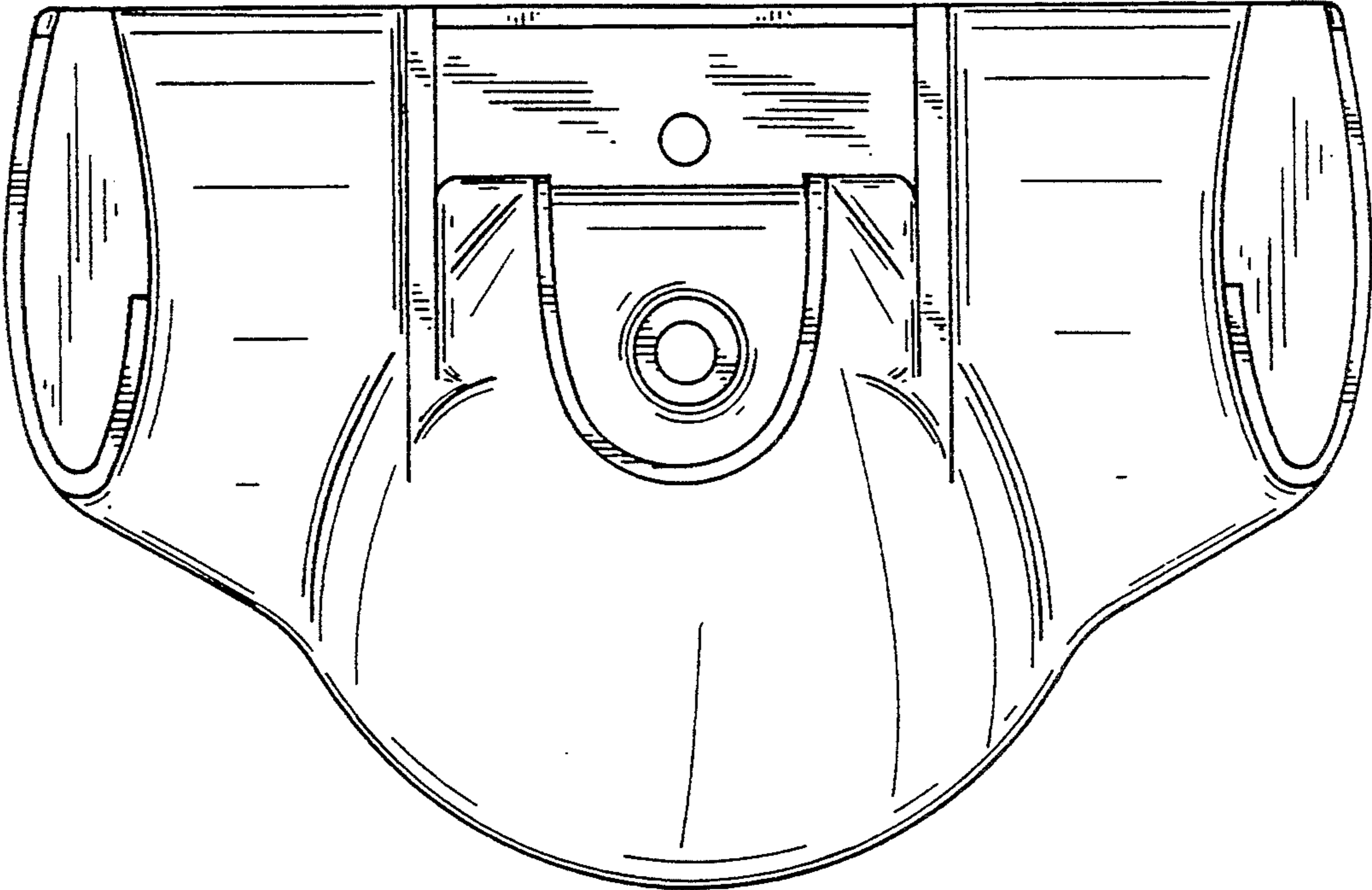


FIG. 5

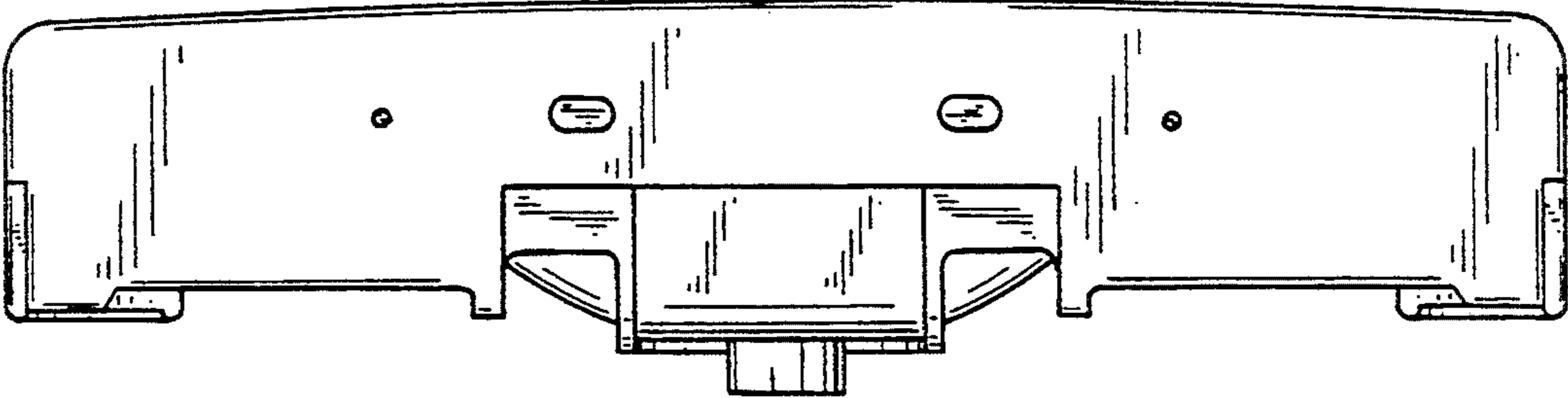


FIG. 6

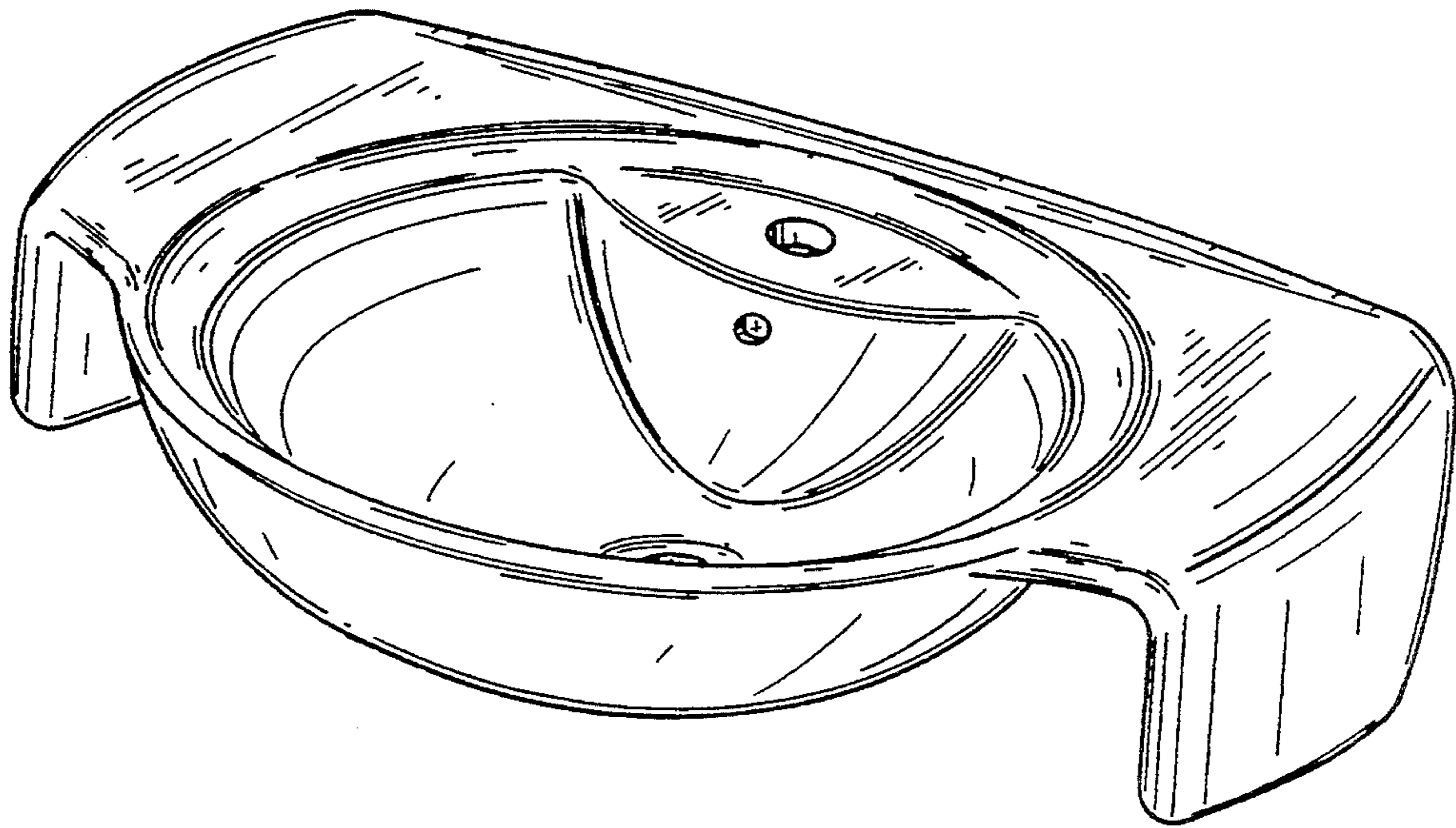


FIG. 7

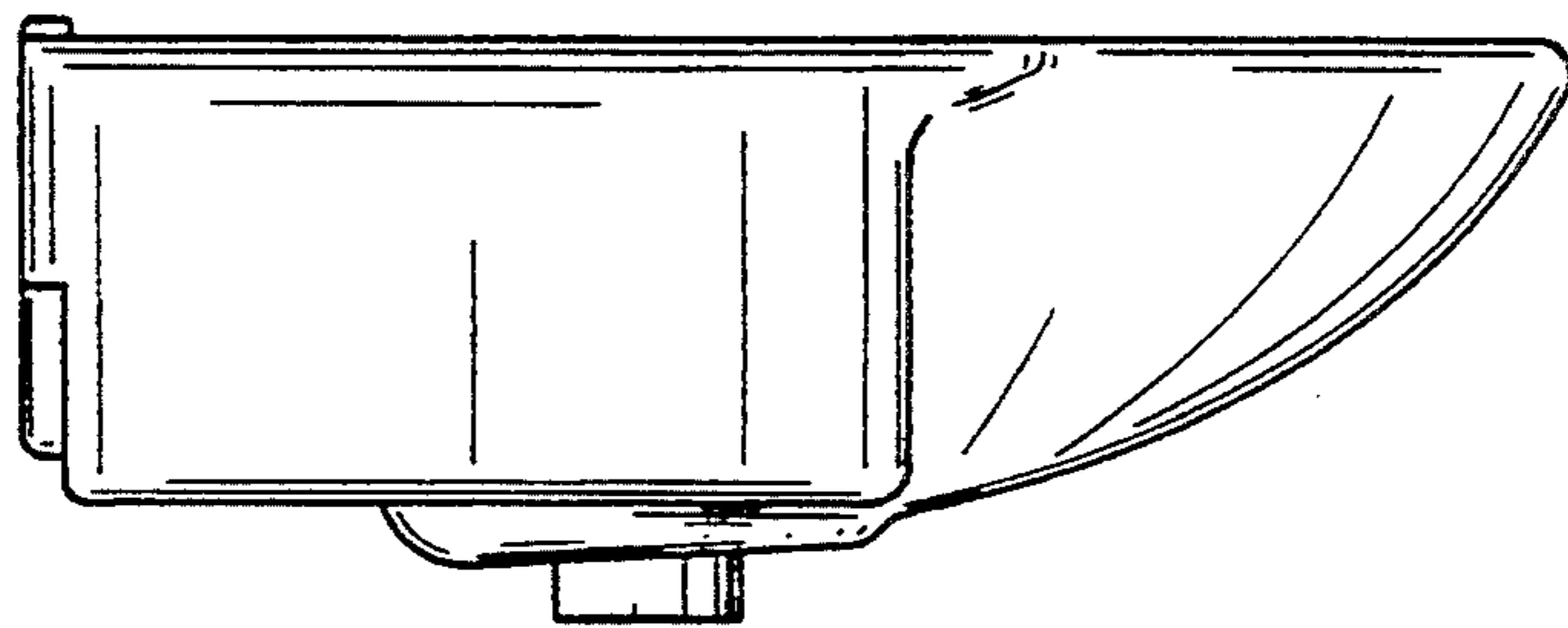


FIG. 8

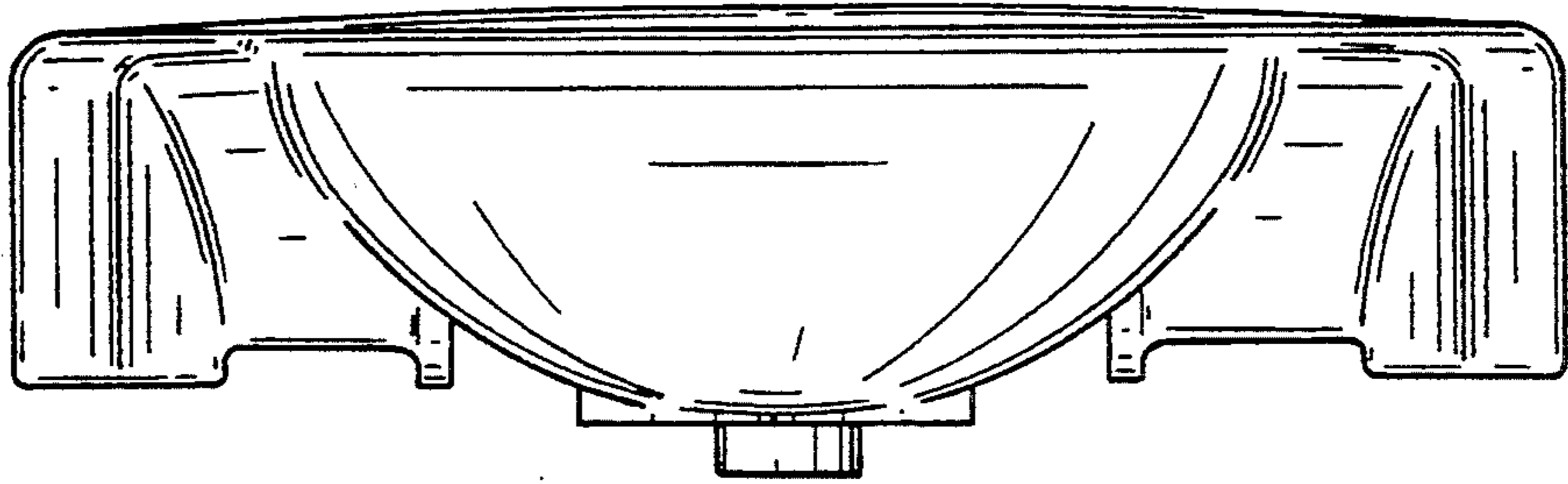


FIG. 9

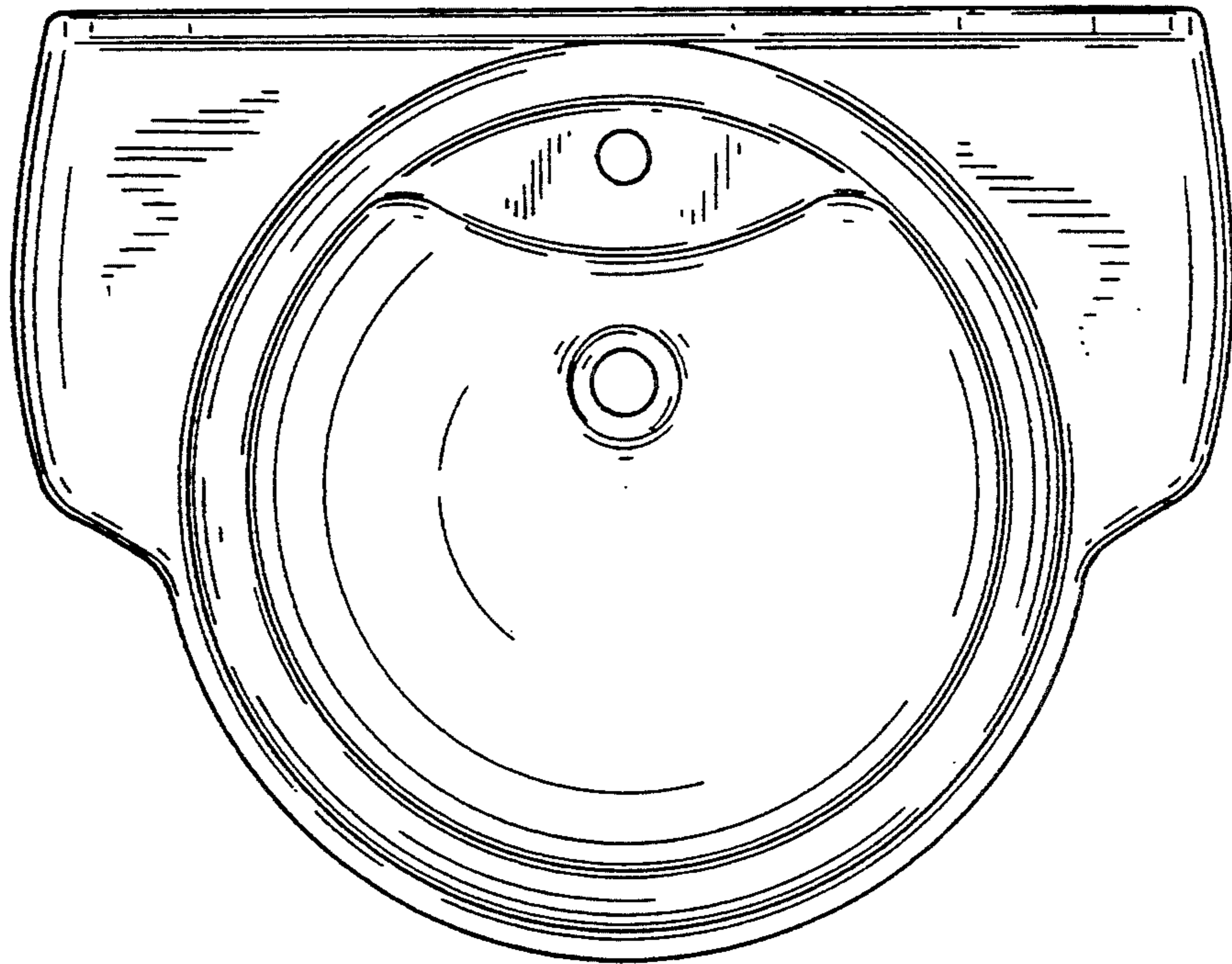


FIG. 10

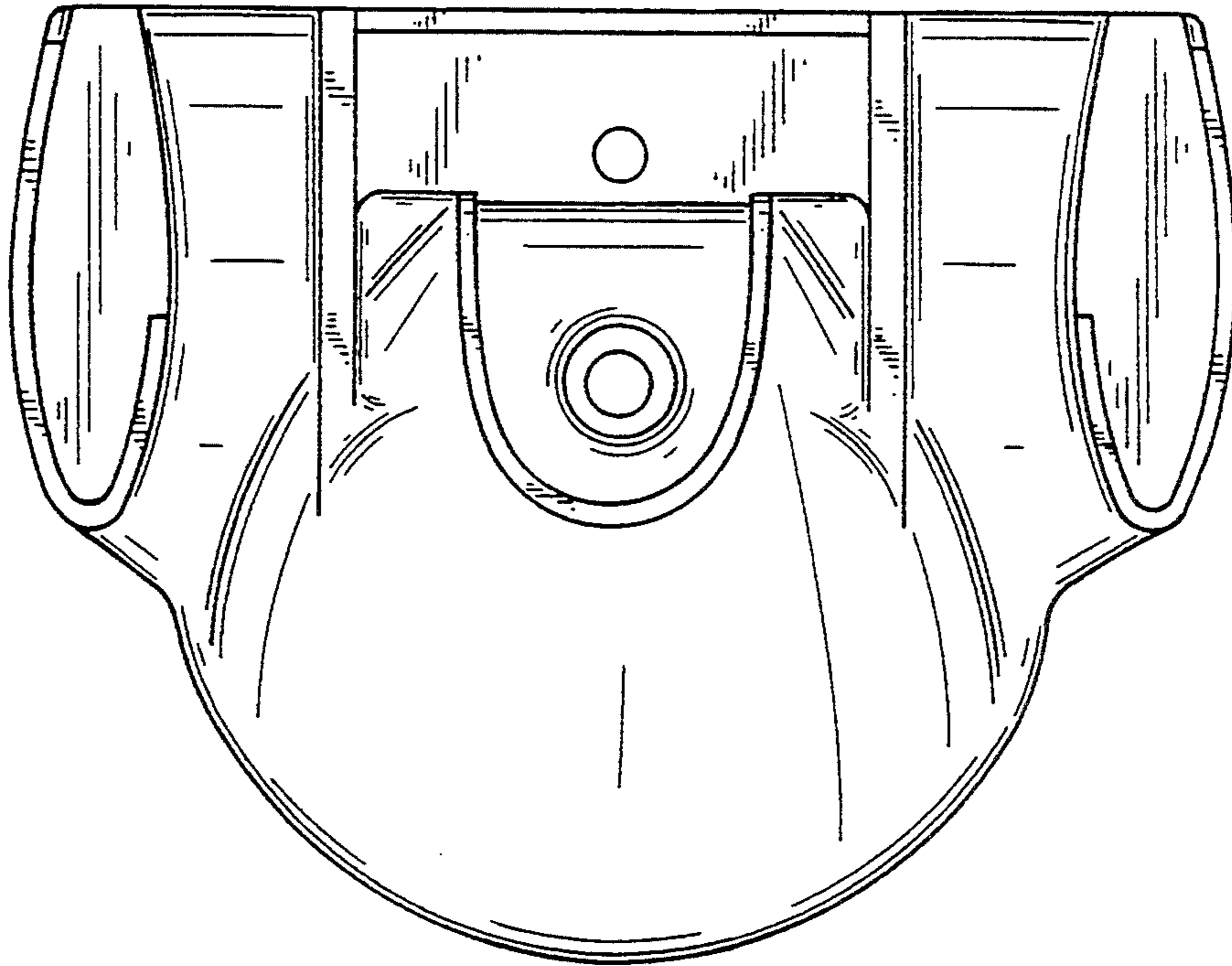


FIG. 11

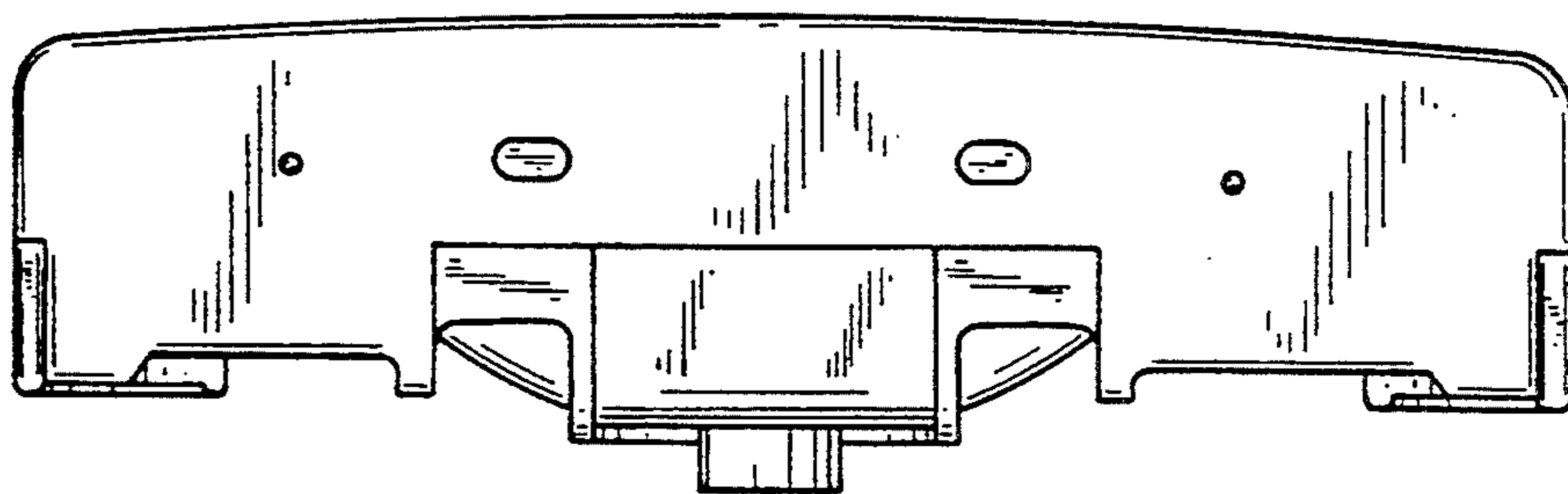


FIG. 12