



US00D361369S

United States Patent [19]

[11] Patent Number: **Des. 361,369**

Garner

[45] Date of Patent: **** Aug. 15, 1995**

[54] **TOILET SEAT HANDLE**

3,191,193 6/1965 Bogenberger D23/311 X
5,058,215 10/1991 Sims 4/246.1

[75] Inventor: **Mike Garner, Stockton, Calif.**

Primary Examiner—Stella Reid
Assistant Examiner—Eric Watterson
Attorney, Agent, or Firm—Walter A. Hackler

[73] Assignee: **Auberge Products, Stockton, Calif.**

[**] Term: **14 Years**

[57] **CLAIM**

[21] Appl. No.: **19,059**

The ornamental design for the toilet seat handle, as shown and described.

[22] Filed: **Feb. 22, 1994**

[52] U.S. Cl. **D23/252**

[58] Field of Search **D23/250-254,**
D23/303-312; D8/300, 305, 307, 311; 4/246.1,
246.3, 661

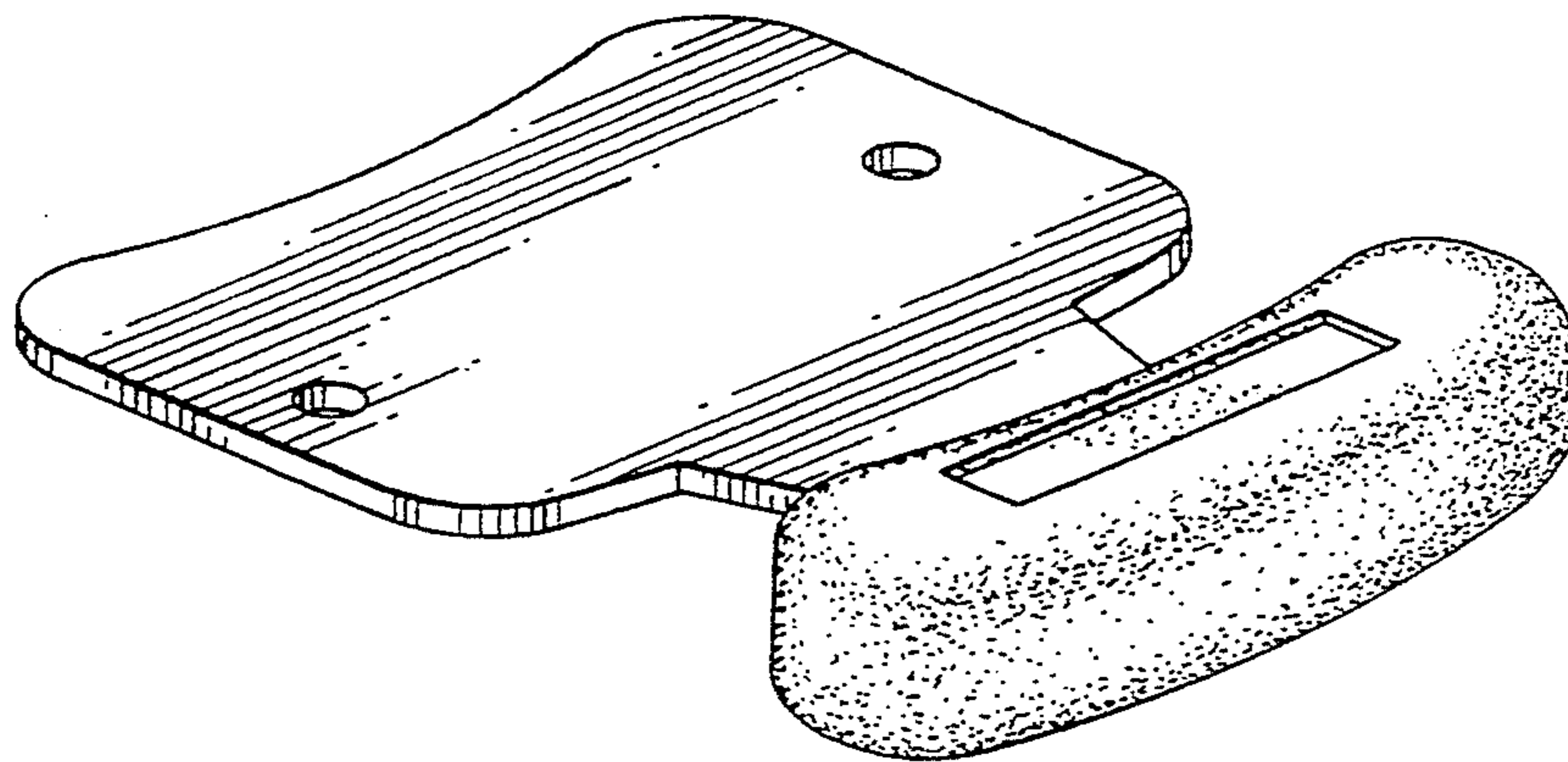
DESCRIPTION

FIG. 1 is a perspective view of the right side, top and front of the present invention;
FIG. 2 is a front view of the present invention;
FIG. 3 is a bottom view of the present invention the top side view being a mirror image thereof;
FIG. 4 is a side view of the present invention the opposite side being a mirror image thereof; and,
FIG. 5 is a rear view of the present invention.

[56] References Cited

U.S. PATENT DOCUMENTS

D. 237,797 11/1975 Hermann D23/311 X
D. 245,095 7/1977 Murray D23/309 X



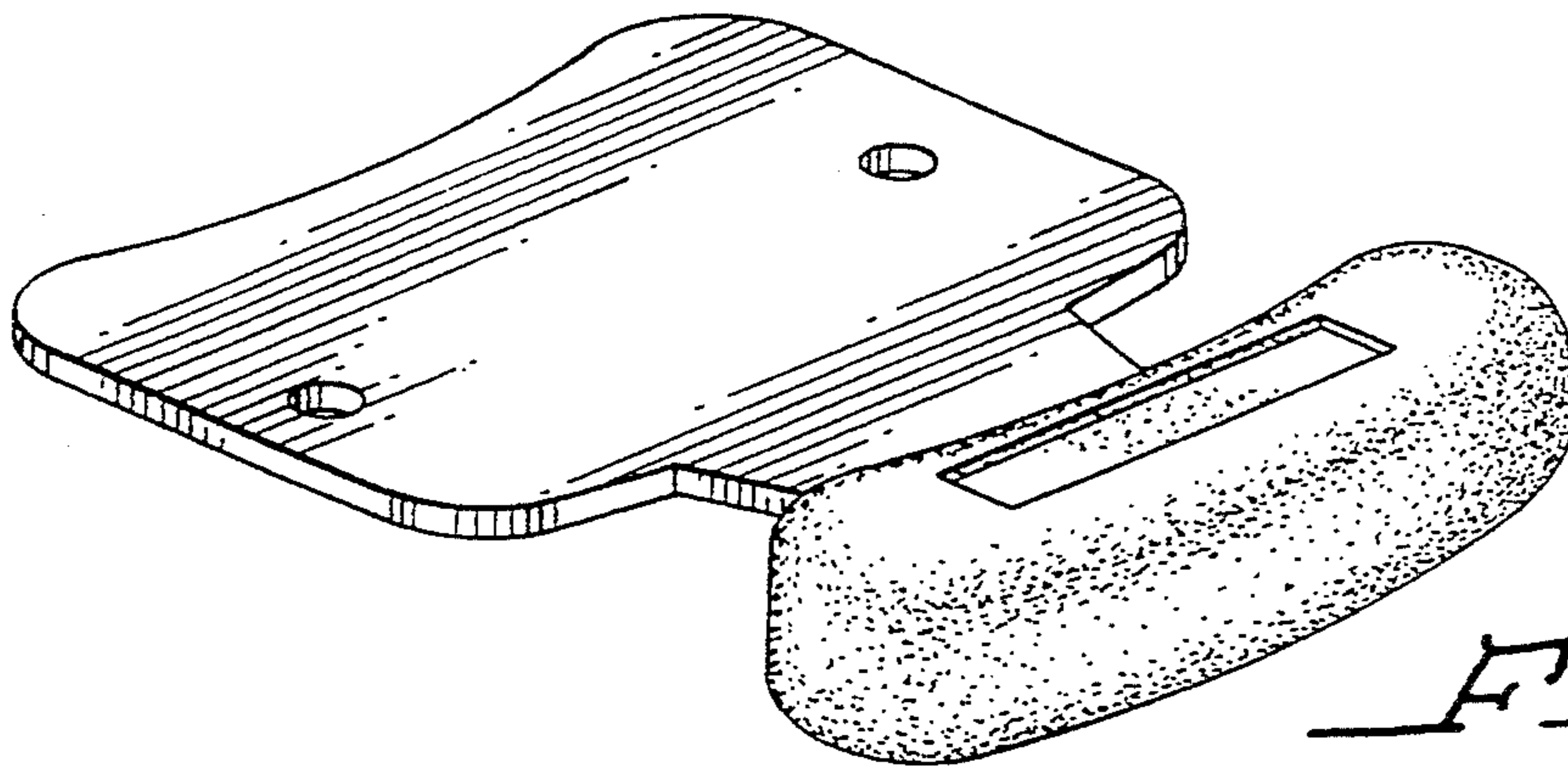


FIG. 1.

FIG. 2.

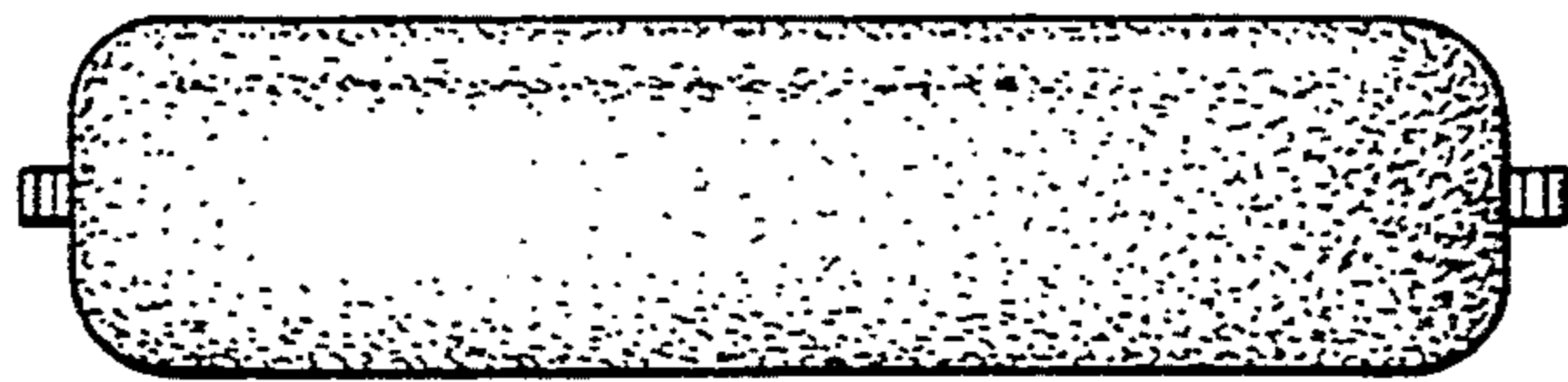


FIG. 3.

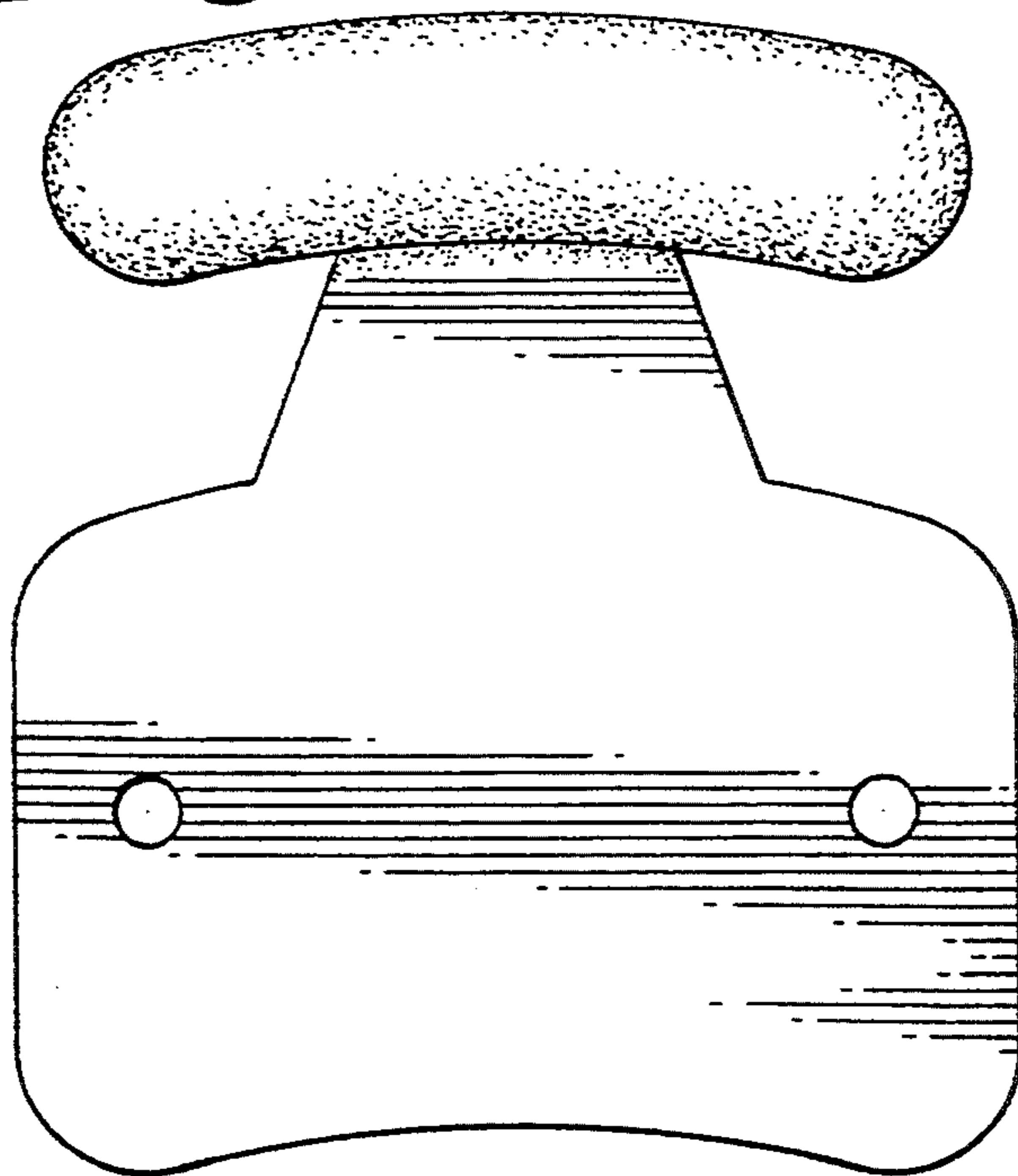


FIG. 4.

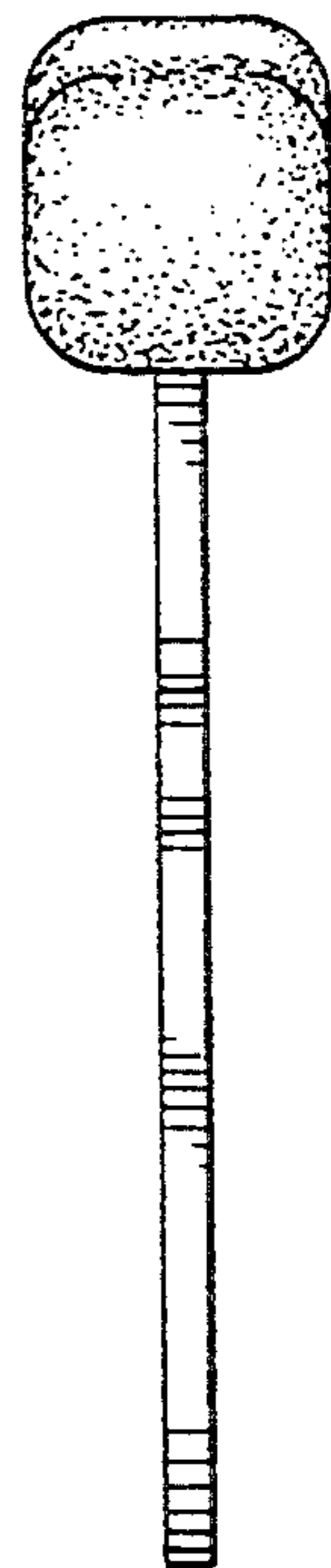


FIG. 5.

