



US00D361367S

United States Patent [19]

[11] Patent Number: **Des. 361,367**

Shair

[45] Date of Patent: **** Aug. 15, 1995**

[54] **TOY HELICOPTER PYROTECHNIC DEVICE**

[75] Inventor: **Sai Fan Shair, Hong Kong, Hong Kong**

[73] Assignee: **Shiu Fung Fireworks Company Limited, Kowloon, Hong Kong**

[**] Term: **14 Years**

[21] Appl. No.: **17,415**

[22] Filed: **Jan. 12, 1994**

[52] U.S. Cl. **D22/112; D21/82; D21/87**

[58] Field of Search **D21/82, 85, 87, 90; 446/34, 36, 37, 40-44; D22/112; 102/355, 359**

[56] **References Cited**

U.S. PATENT DOCUMENTS

- D. 149,803 5/1946 Fhagen .
- D. 247,985 5/1978 Breneman .
- D. 281,708 12/1985 Mariol .
- D. 284,594 7/1986 Fisher .
- D. 287,529 12/1986 Diedericks, Jr. D22/112
- D. 287,738 1/1987 Bollinger et al. D21/90
- D. 295,057 4/1988 Lau .
- D. 306,749 3/1990 Sheldon .
- 1,280,803 10/1918 Miners .

- 1,554,065 9/1925 Blair .
- 1,667,180 4/1928 Willson 102/355
- 1,899,518 2/1933 Moore 102/355
- 2,174,202 9/1939 Cimososi .
- 2,398,391 4/1946 Orkin .
- 2,443,298 6/1948 Brown .
- 2,443,299 6/1948 Brown .
- 2,622,367 12/1952 Tom 446/42
- 3,737,903 6/1973 Suetake et al. .

Primary Examiner—Theodore M. Shooman
Assistant Examiner—Dominic Simone
Attorney, Agent, or Firm—Darby & Darby

[57] **CLAIM**

The ornamental design for a toy helicopter pyrotechnic device, as shown and described.

DESCRIPTION

FIG. 1 is right side elevational view of a toy helicopter pyrotechnic device showing my new design, the left side being a mirror image;

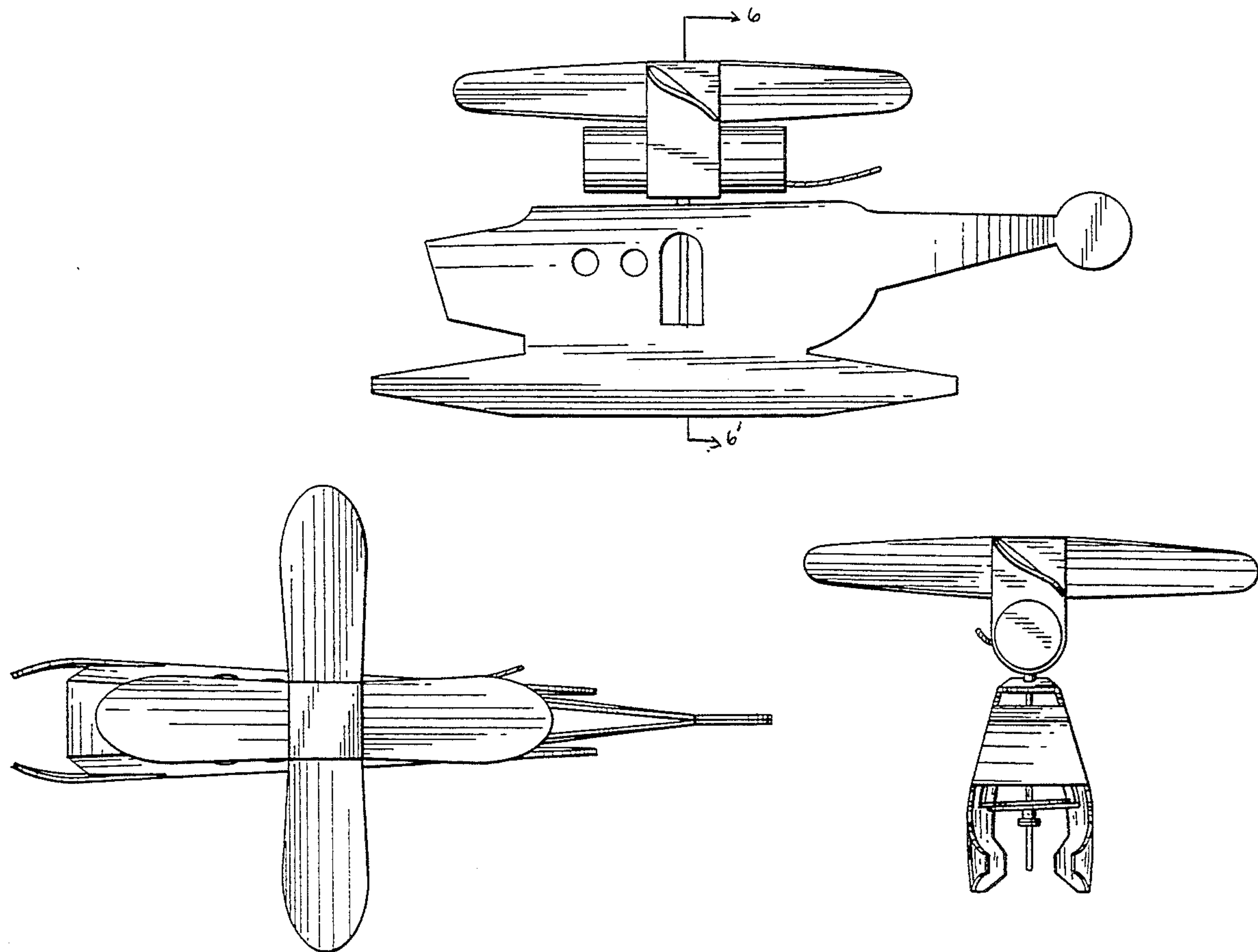
FIG. 2 is a top plan view thereof;

FIG. 3 is a front elevational view thereof;

FIG. 4 is a rear elevational view thereof;

FIG. 5 is a bottom plan view thereof; and,

FIG. 6 is a sectional view taken along line 6—6' of FIG. 1.



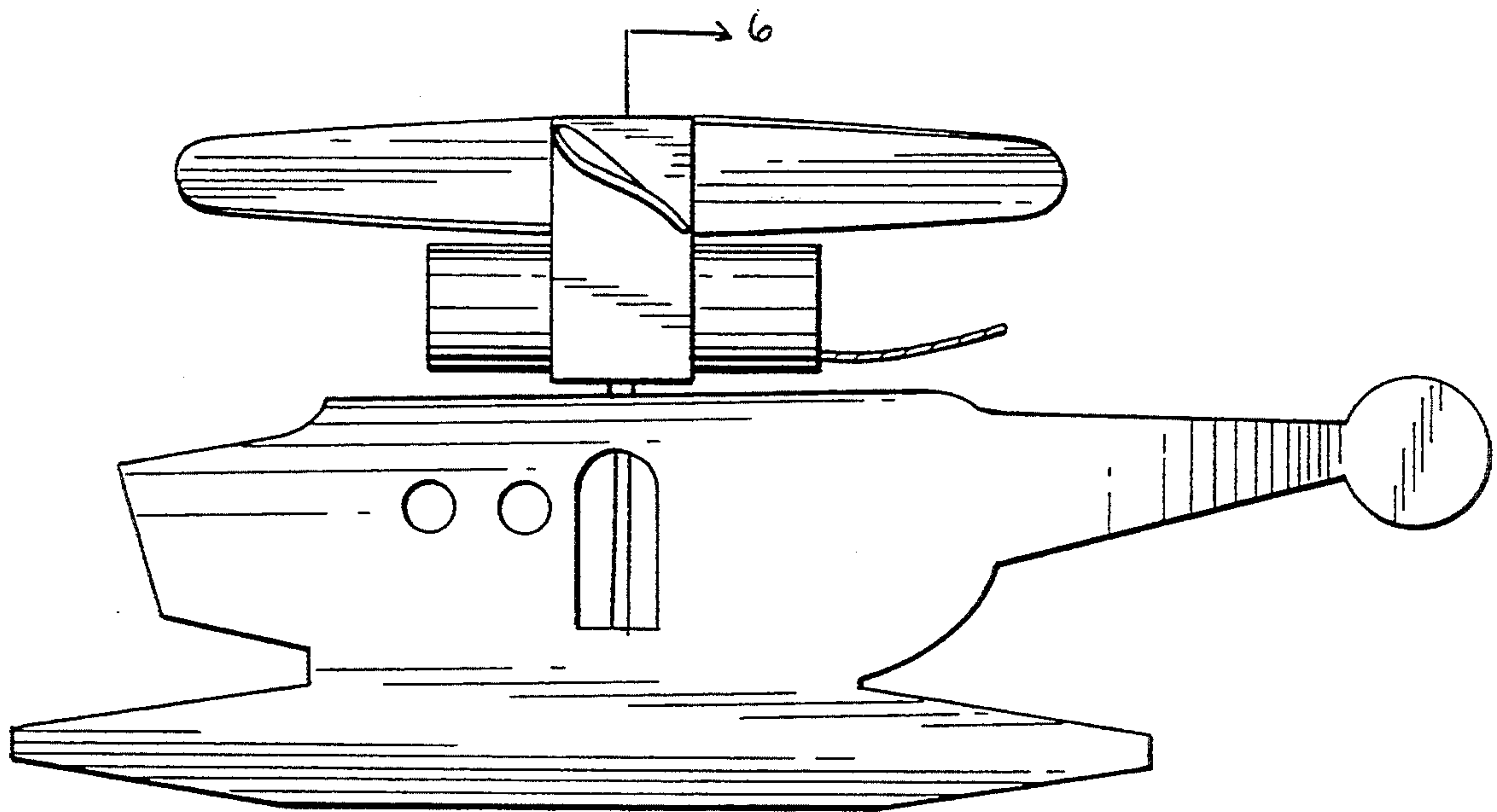


FIG. 1

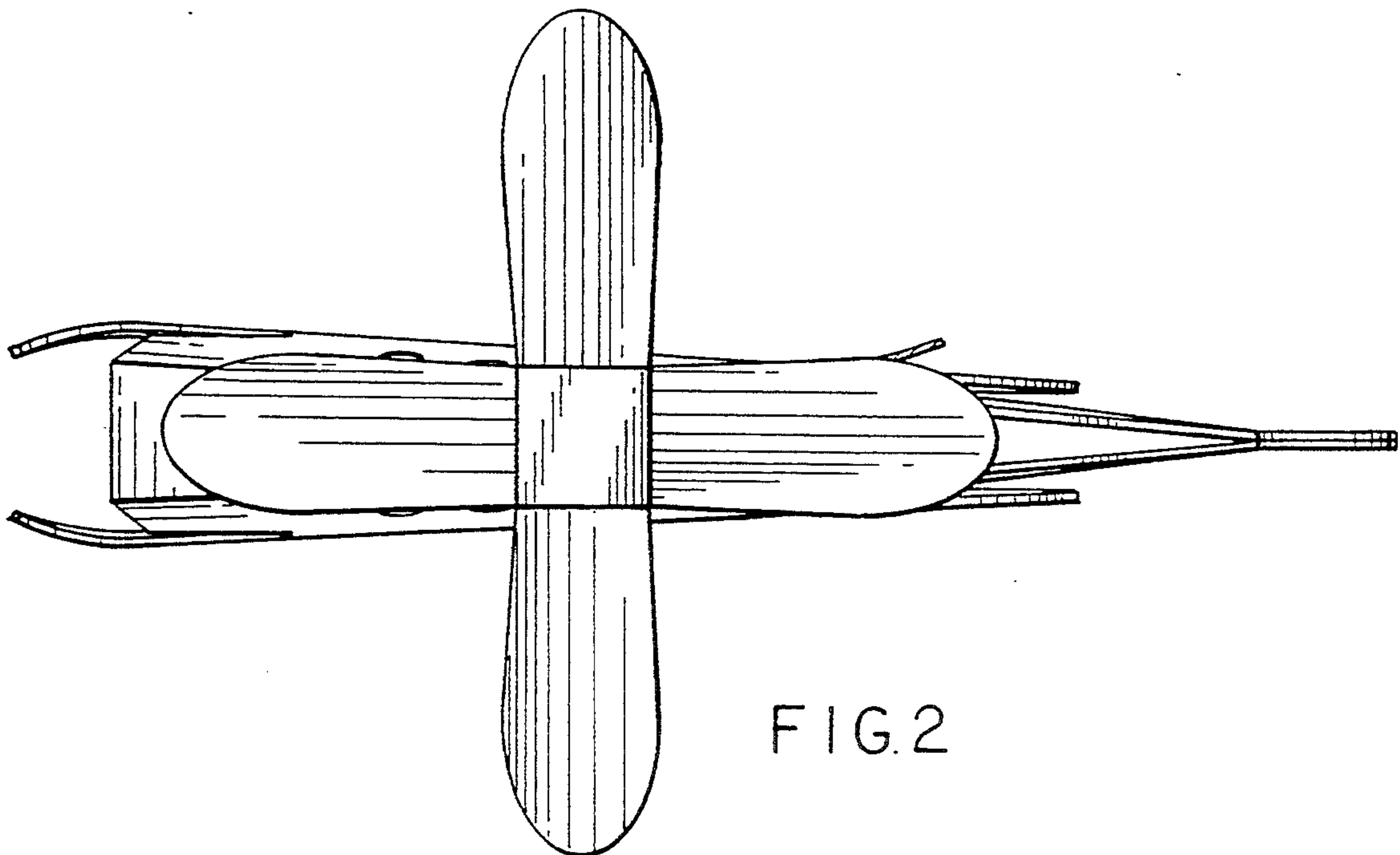


FIG. 2

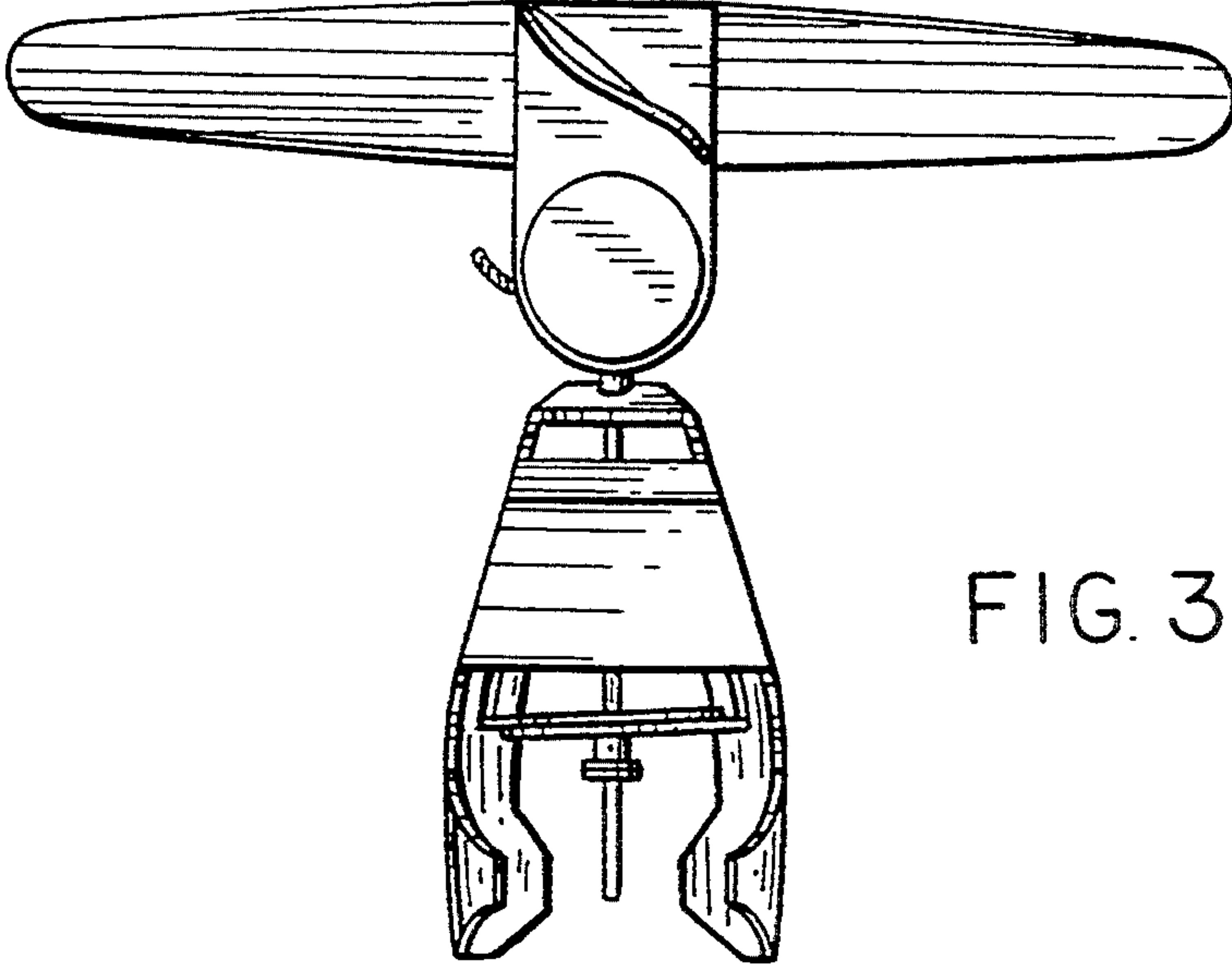


FIG. 3

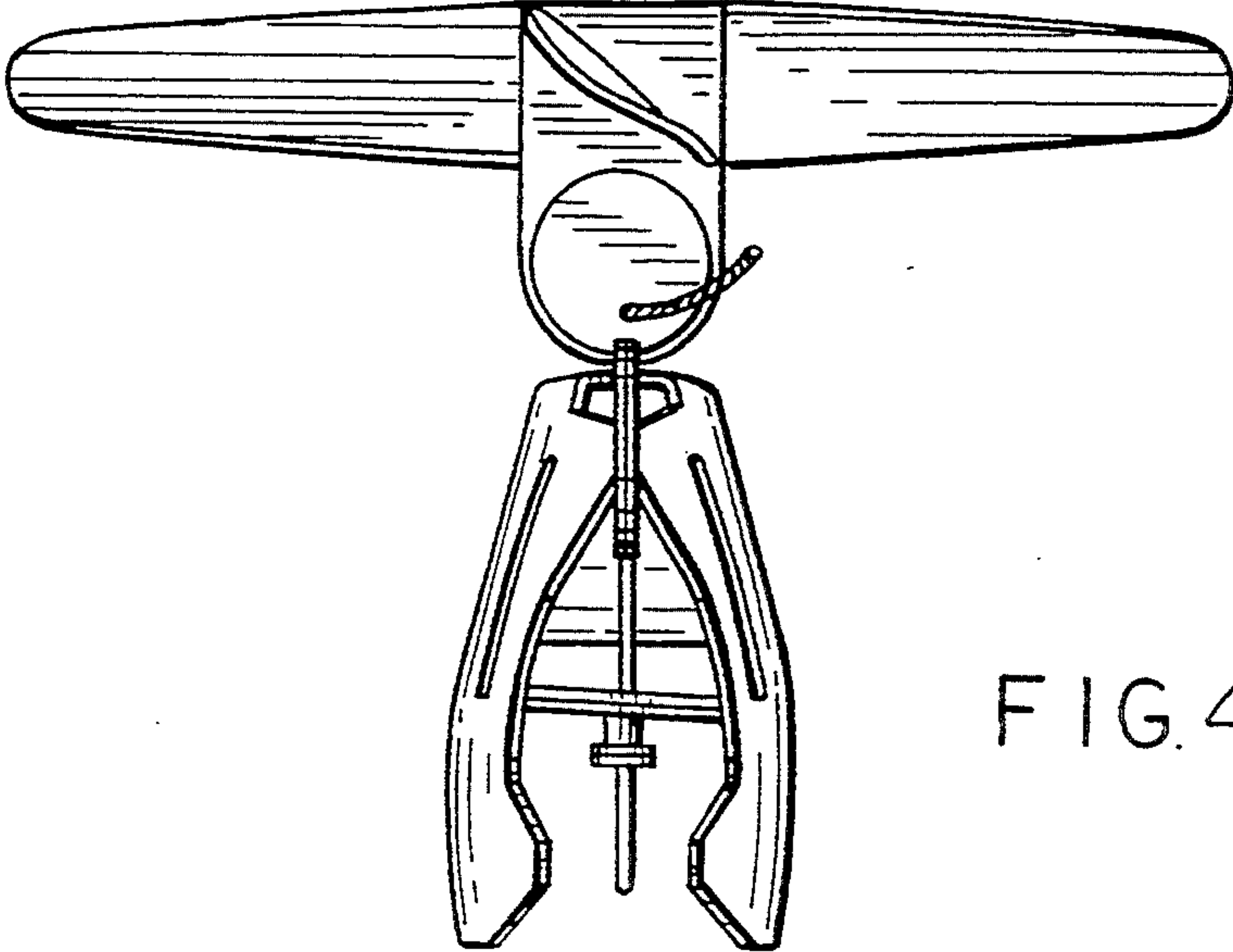


FIG. 4

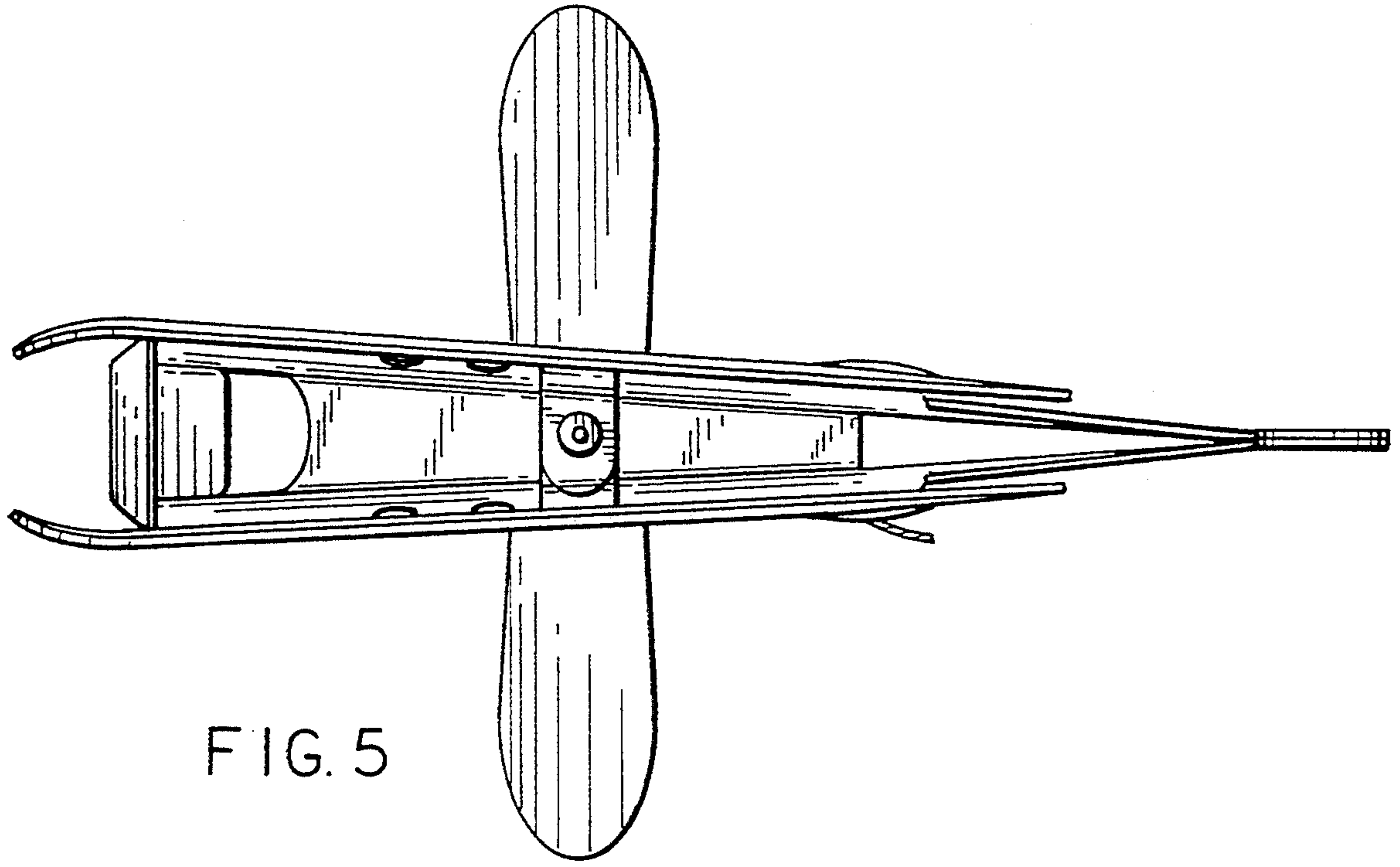


FIG. 5

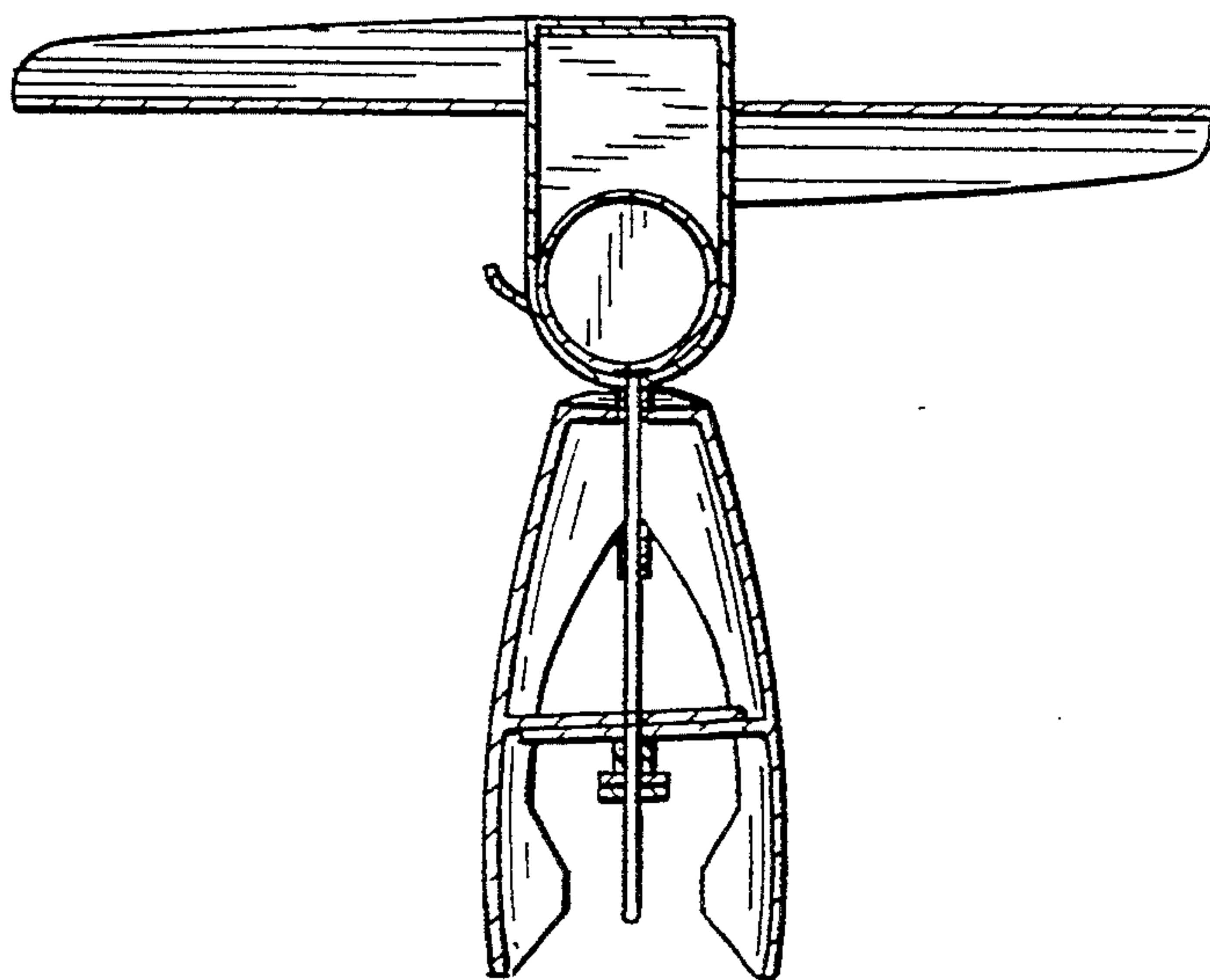


FIG. 6