



US00D361366S

United States Patent [19]

[11] Patent Number: Des. 361,366

Emerson

[45] Date of Patent: ** Aug. 15, 1995

[54] **ADJUSTABLE REAR SIGHT FOR A FIREARM**

[75] Inventor: Ashley C. Emerson, Fort Worth, Tex.

[73] Assignee: Miniature Machine Corp., Ft. Worth, Tex.

[**] Term: 14 Years

[21] Appl. No.: 17,375

[22] Filed: Jan. 12, 1994

[52] U.S. Cl. D22/109

[58] Field of Search D22/109, 110; 42/100, 42/101, 103; 33/233, 251-261, 241

[56] **References Cited**

U.S. PATENT DOCUMENTS

D. 247,856	5/1978	Korzeniewski	D22/109
D. 273,217	3/1984	Swenson	D22/109
D. 277,774	2/1985	Ruffino	D22/109
D. 301,512	6/1989	Novak	D22/109
D. 305,561	1/1990	Novak	D22/109
D. 351,449	10/1994	Dagley	D22/109

Primary Examiner—Doris V. Coles
Attorney, Agent, or Firm—Charles W. McHugh

[57] **CLAIM**

The ornamental design for an adjustable rear sight for a firearm, as shown and described.

DESCRIPTION

FIG. 1 is a perspective view of the adjustable rear sight for a firearm, showing my new design, with the adjustable sighting element being shown in its lowest possible position;

FIG. 2 is a left side elevational view thereof;

FIG. 3 is a rear elevational view thereof;

FIG. 4 is a top plan view thereof;

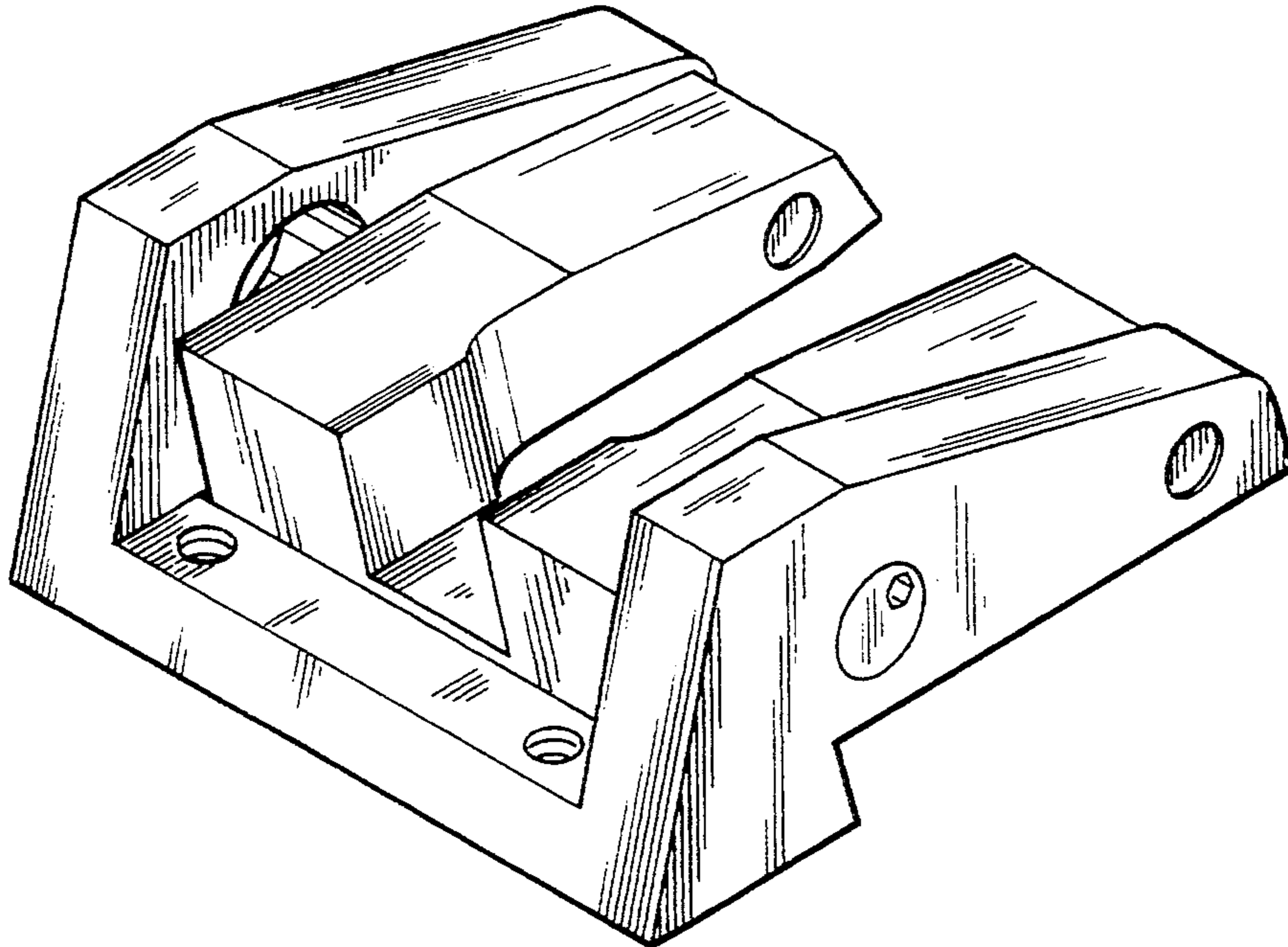
FIG. 5 is a right side elevational view thereof;

FIG. 6 is a front elevational view thereof;

FIG. 7 is a bottom plan view thereof;

FIG. 8 is a rear elevational view, showing the adjustable sighting element in its highest possible position; and,

FIG. 9 is a perspective view of the adjustable rear sight for a firearm, showing the adjustable sighting element in its highest possible position.



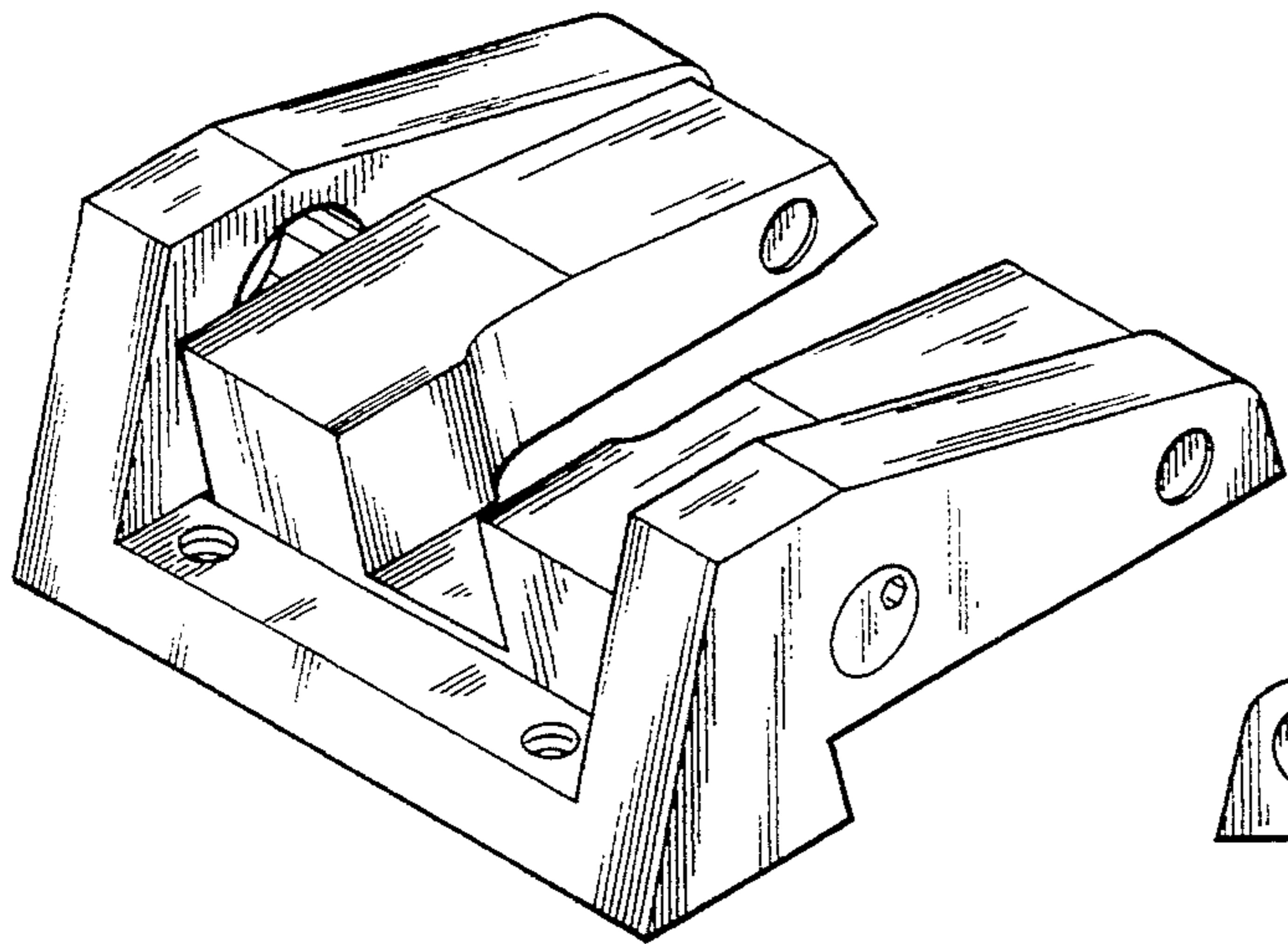


FIG. 1

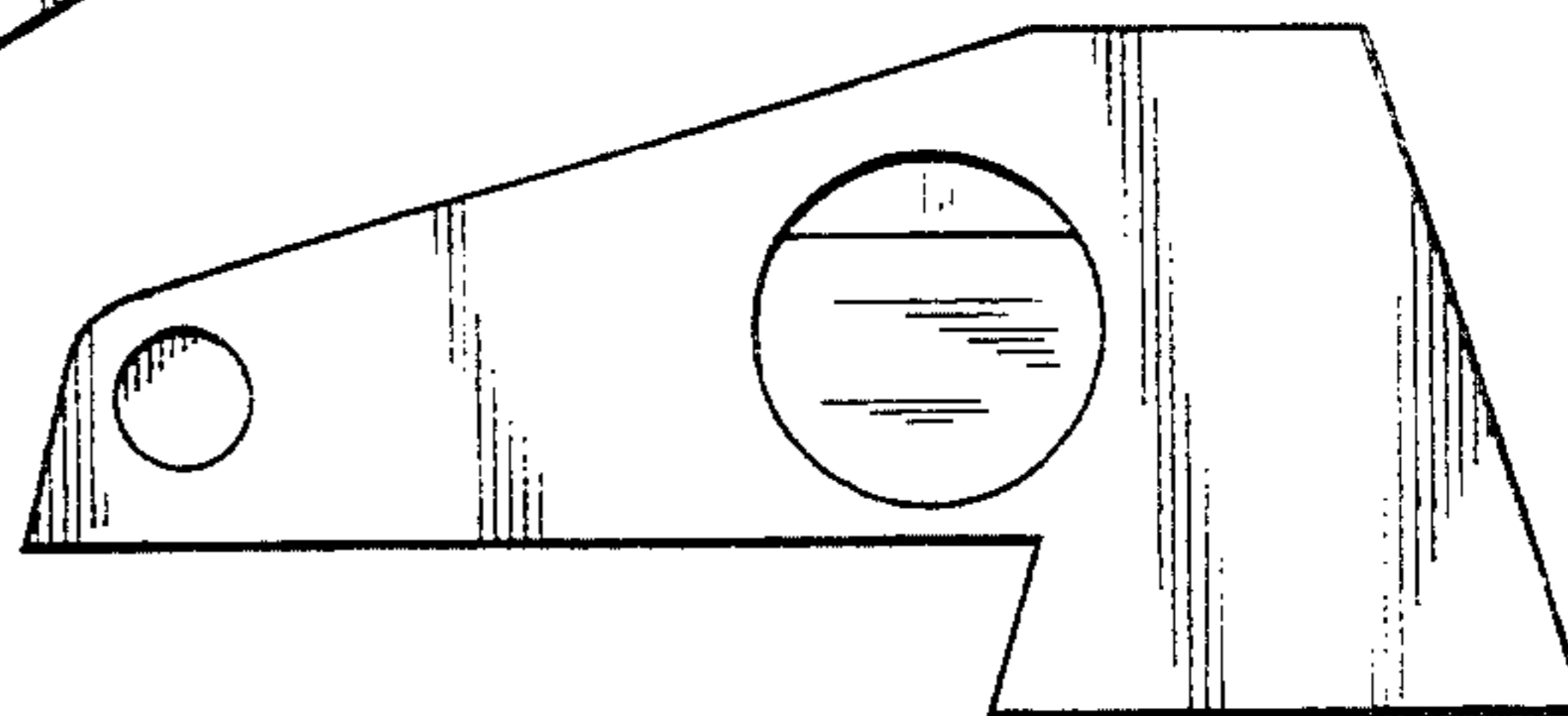


FIG. 2

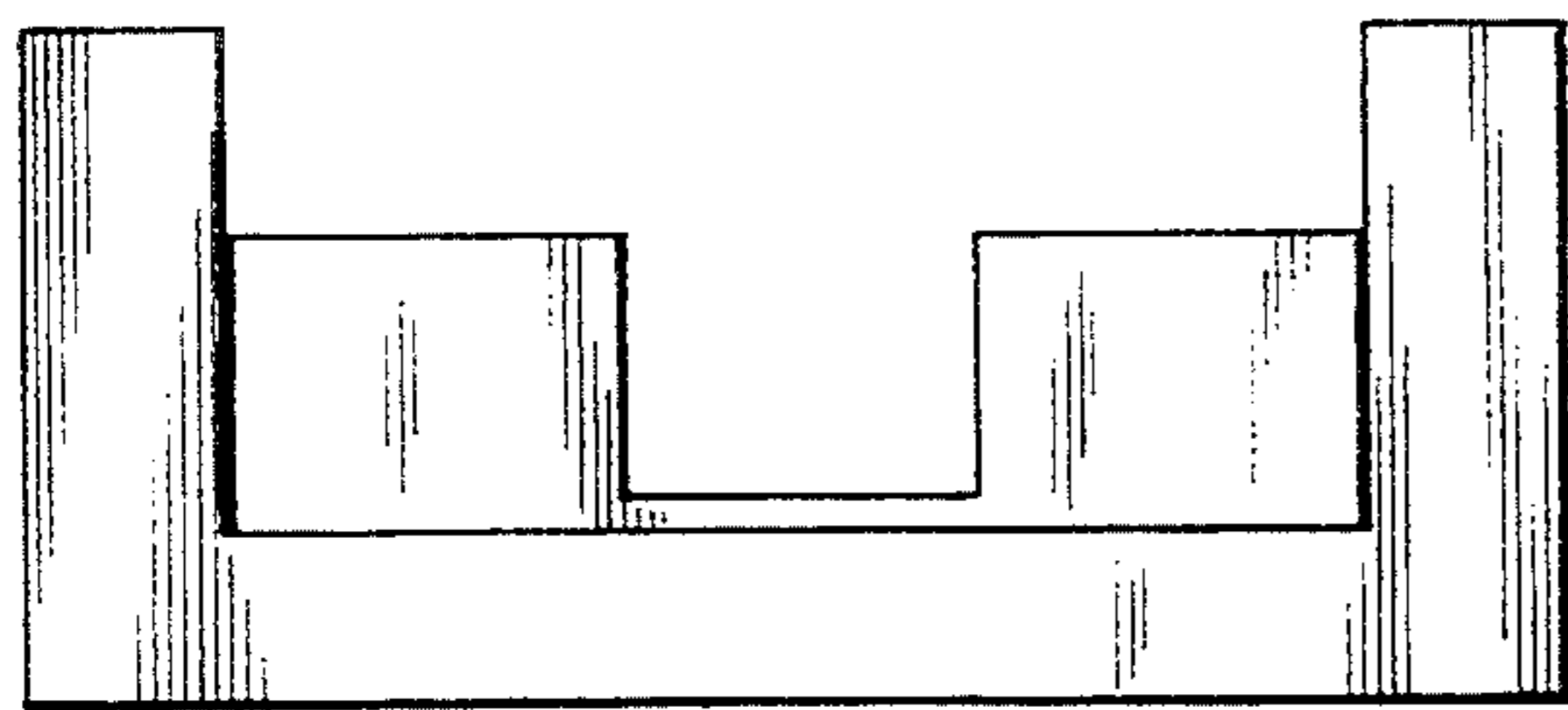


FIG. 3

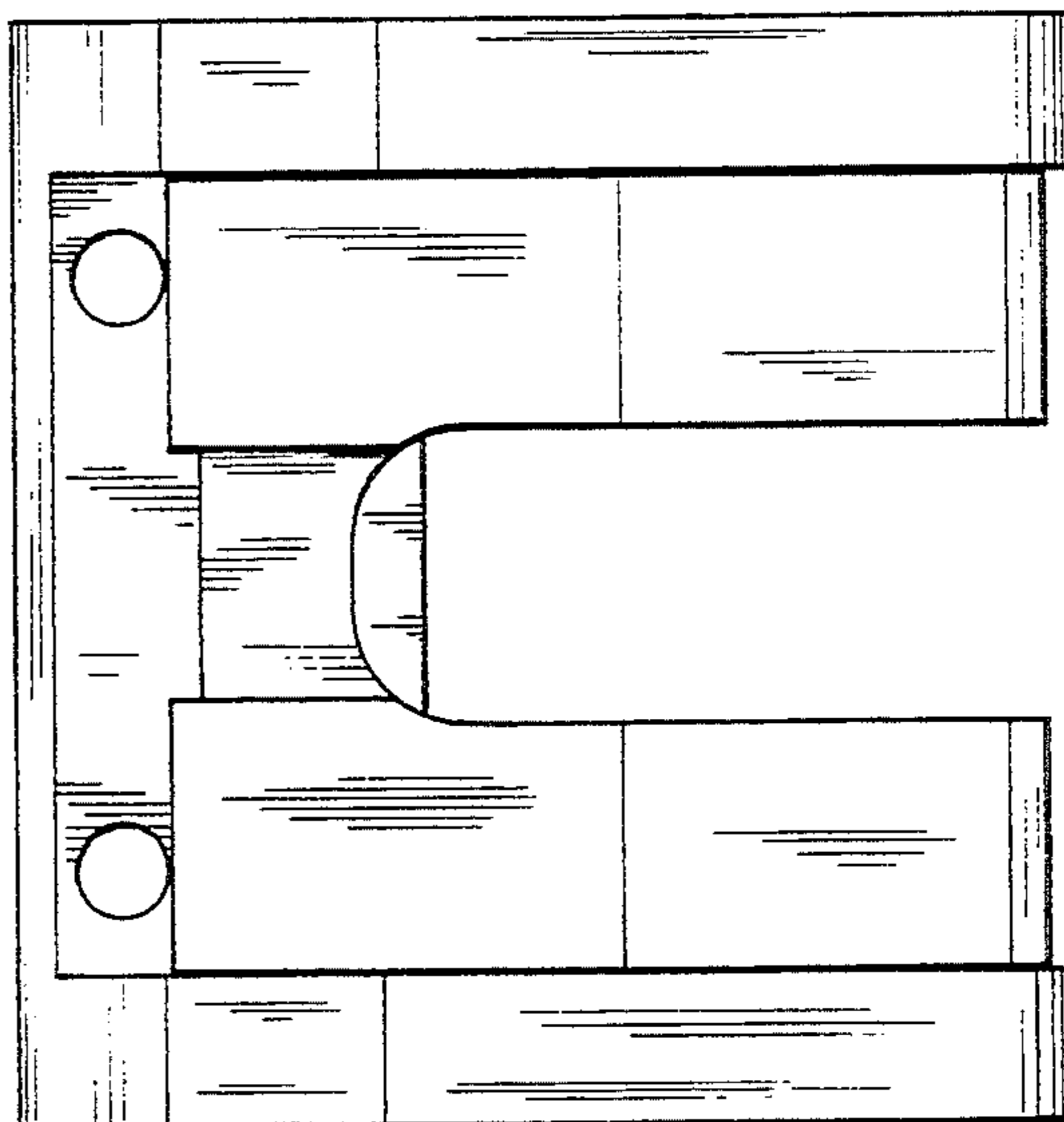


FIG. 4

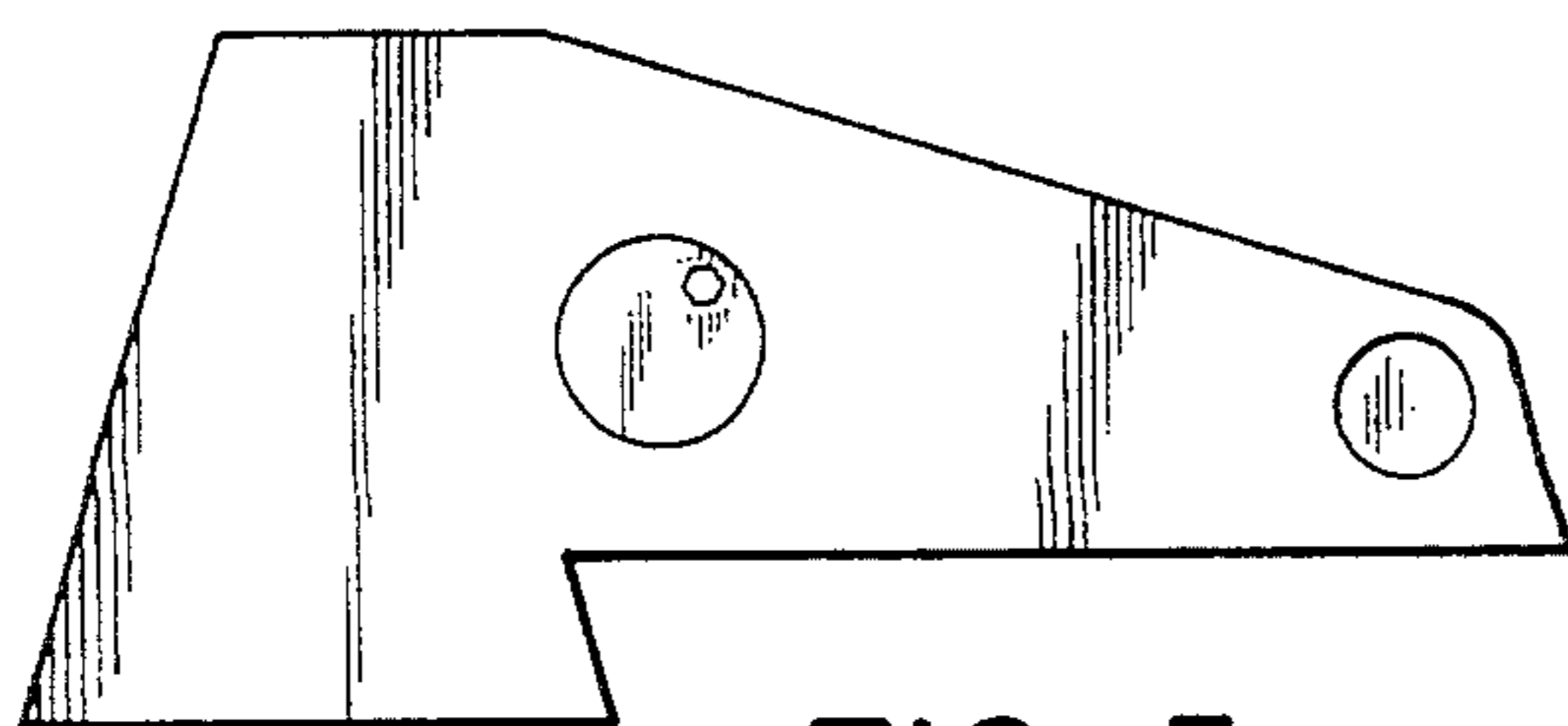


FIG. 5

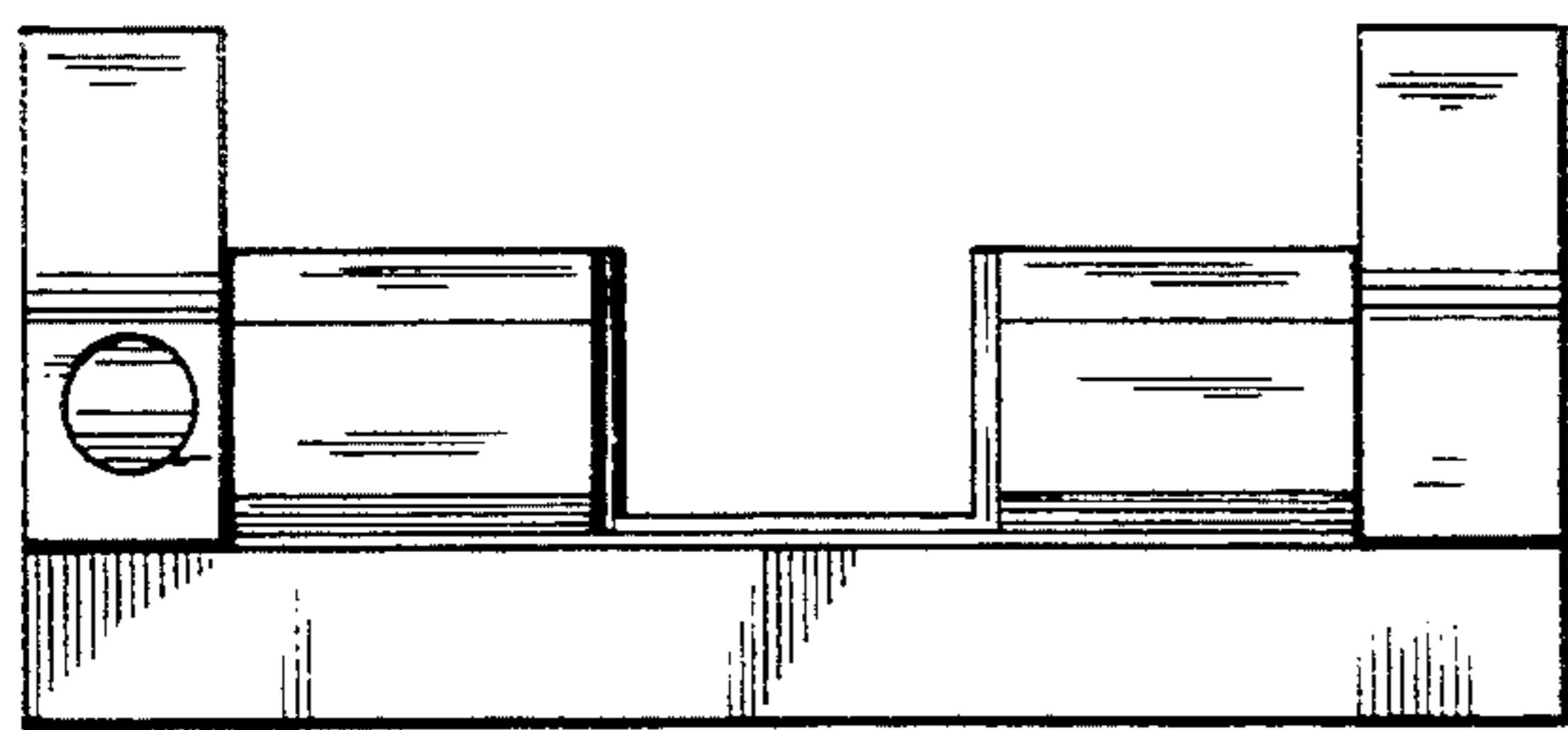


FIG. 6

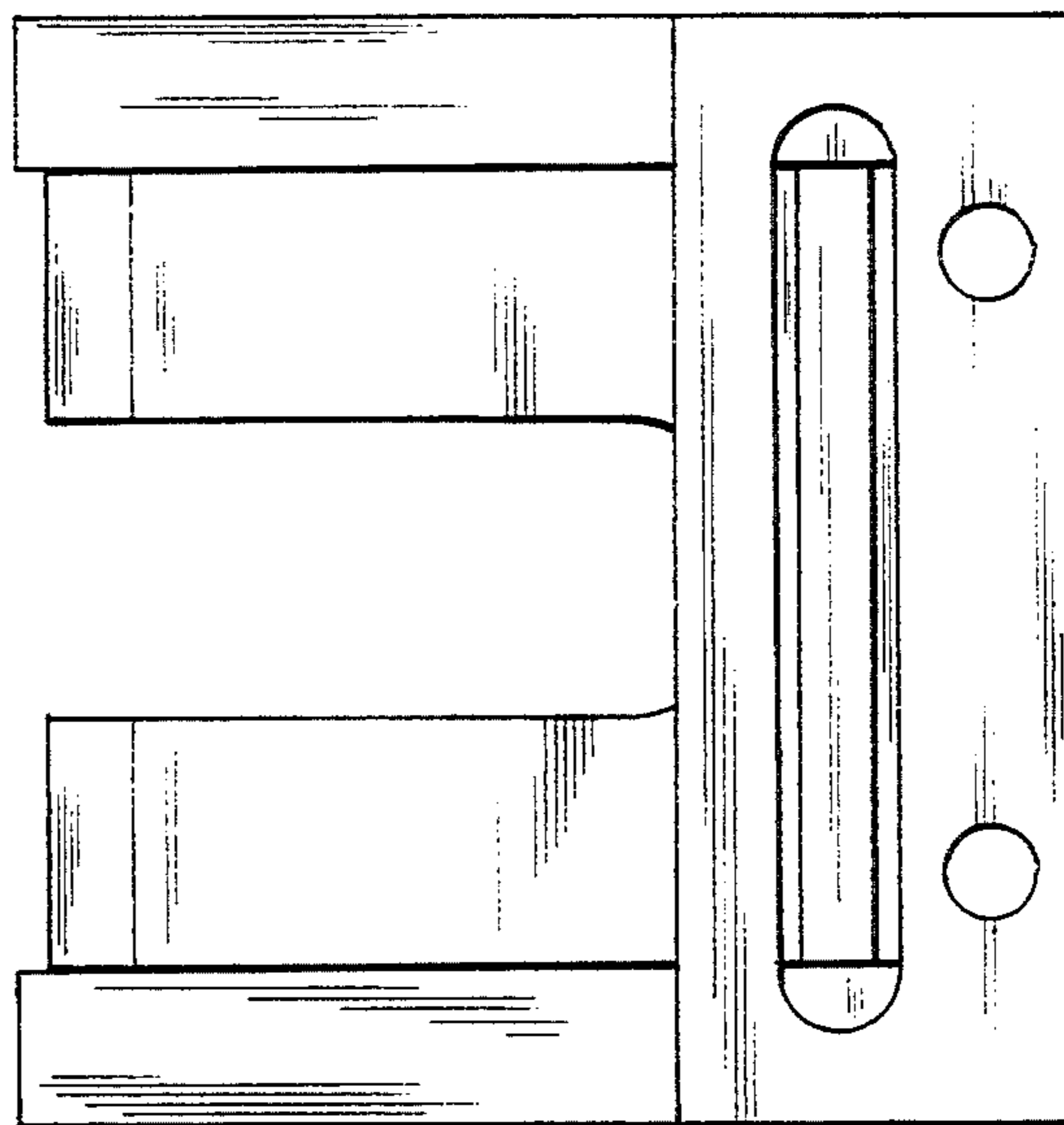


FIG. 7

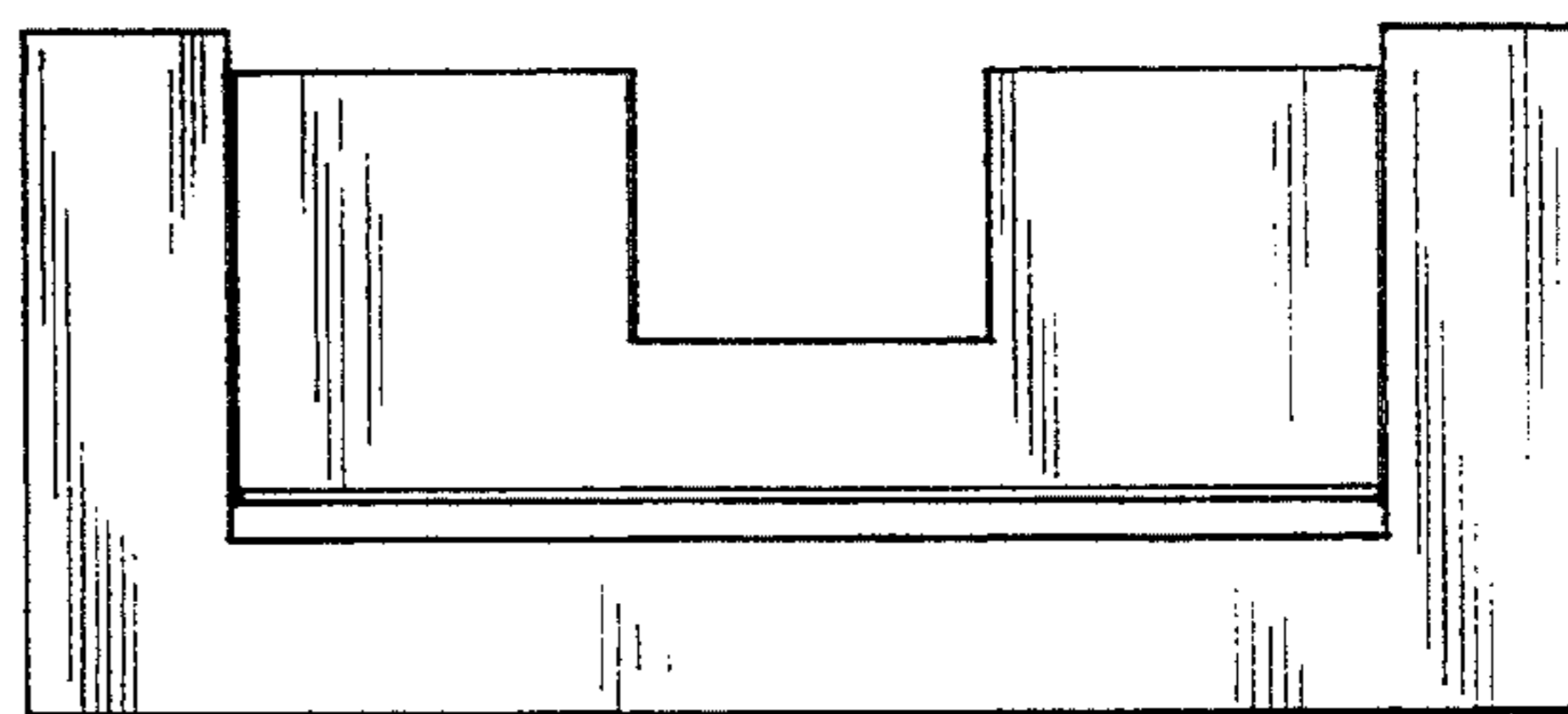


FIG. 8

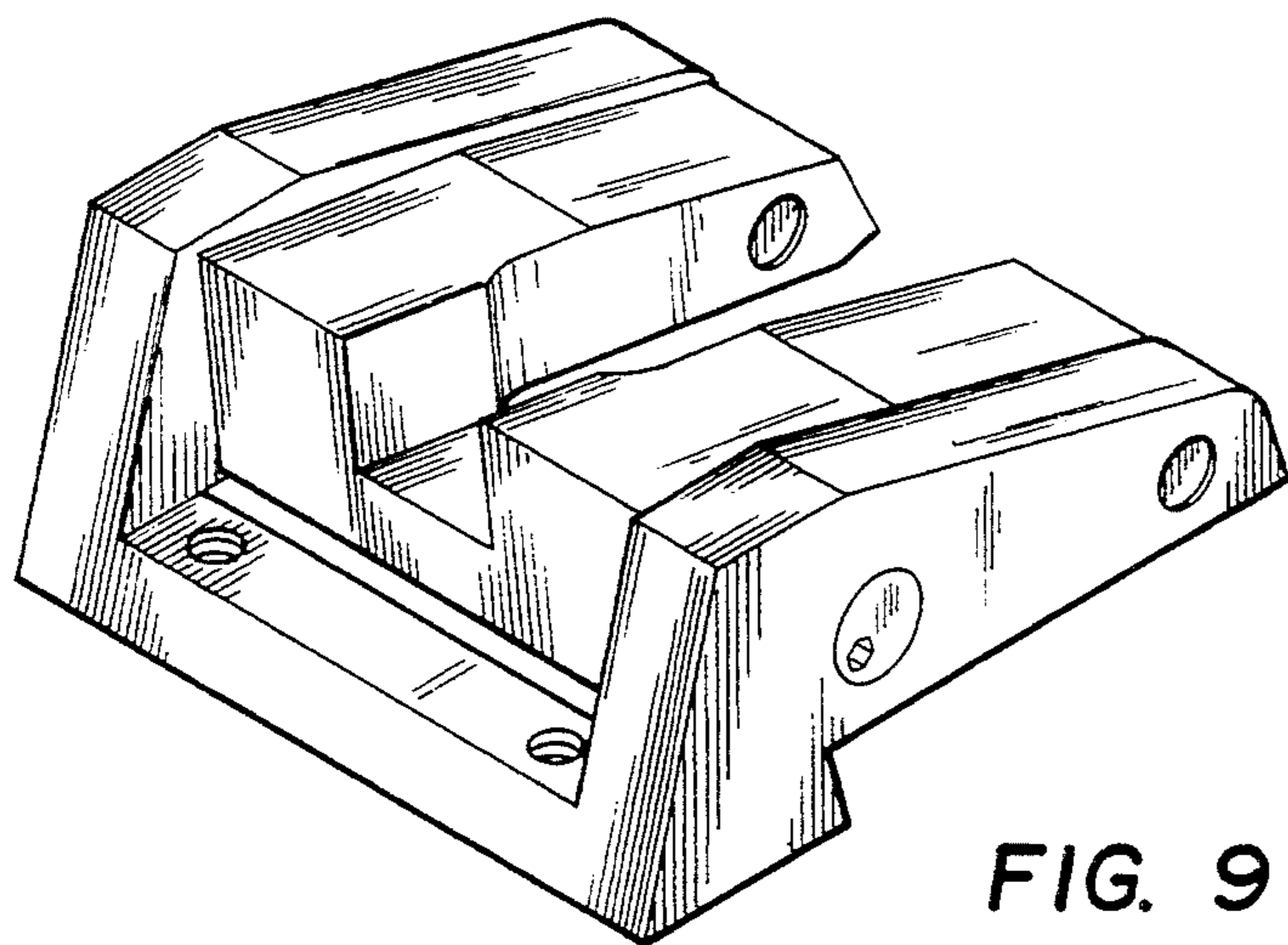


FIG. 9