



US00D361363S

United States Patent [19]

[11] Patent Number: **Des. 361,363**

Sandberg et al.

[45] Date of Patent: **** Aug. 15, 1995**

[54] CABANA

[76] Inventors: **Blake R. Sandberg**, 2033 Commodore, Newport Beach, Calif. 92660; **Brian W. Sandberg**, 444 Cabrillo Ter., Corona del Mar, Calif. 92662

[**] Term: **14 Years**

[21] Appl. No.: **18,134**

[22] Filed: **Jan. 31, 1994**

[52] U.S. Cl. **D21/253**

[58] Field of Search D21/114, 118, 253, 242-244; D25/13, 19, 56; 446/423, 476, 478; 135/89, 100-101, 103-106, 115, 900, 902; 52/2.18; 482/35, 36

[56] **References Cited**

U.S. PATENT DOCUMENTS

D. 347,458	5/1994	Cunard et al.	D21/243
595,875	12/1897	Ernest	D25/56
2,015,321	9/1935	Shelton	135/106
2,027,984	1/1936	Kapp	135/106
2,818,875	1/1958	Denn	D25/56
4,558,713	12/1985	Hagler	135/106
5,035,253	7/1991	Bortles	135/89
5,224,507	7/1993	Vosse	135/104
5,226,440	7/1993	Fuhrman	135/106

OTHER PUBLICATIONS

Brochure, Hartman-IPL, Inc., Huntersville, N.C.
Brochure, Triconfort Inc., Huntersville, N.C.
Brochure, Basta Sole Umbrellas, Oakland, Calif.
Brochure, "Shade Concepts", Cencon International, Inc., Irvine, Calif.

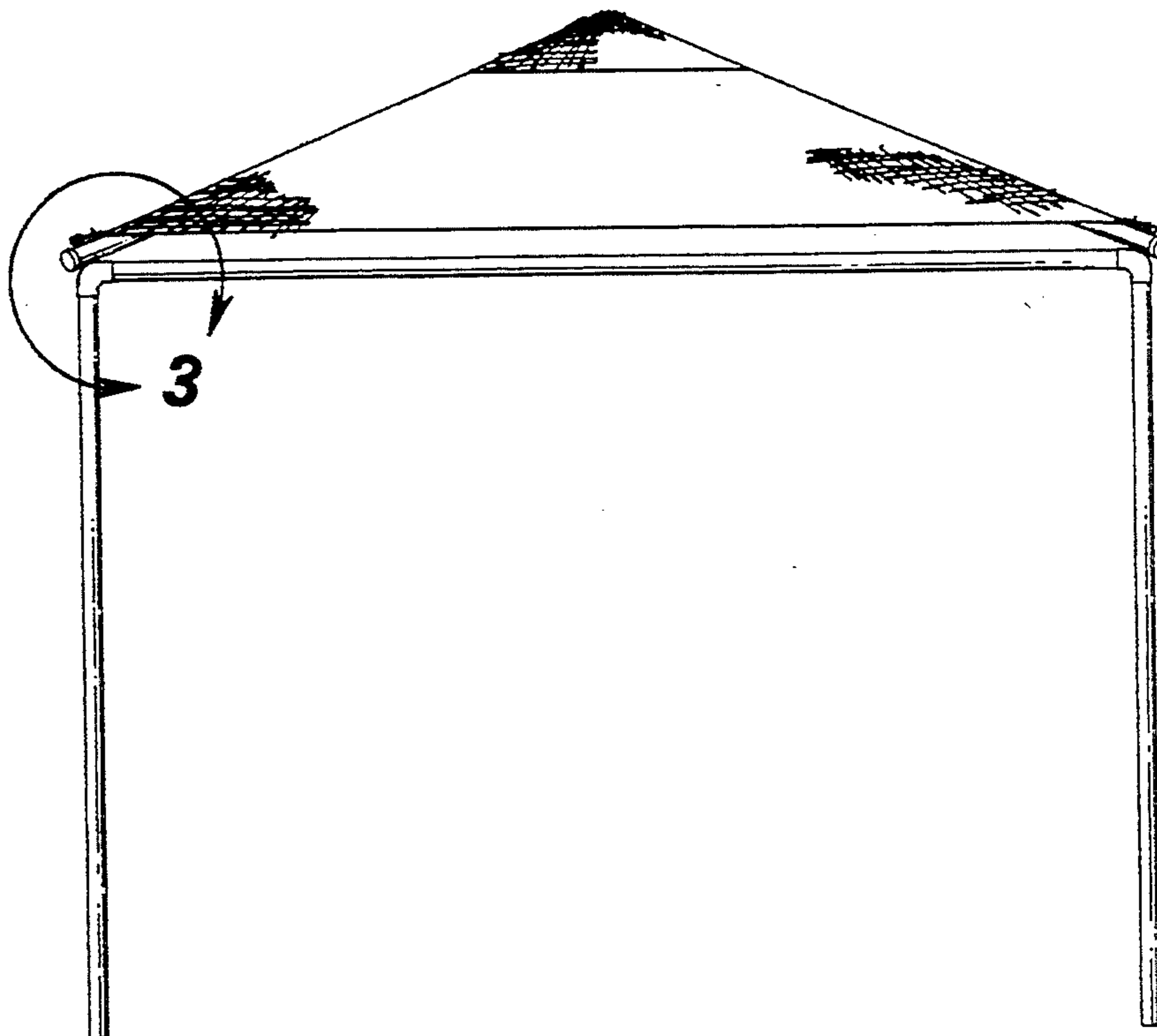
Primary Examiner—Prabhakar G. Deshmukh
Assistant Examiner—R. Barkai
Attorney, Agent, or Firm—Knobbe, Martens, Olson & Bear

[57] **CLAIM**

The ornamental design for a cabana, as shown and described.

DESCRIPTION

FIG. 1 is a top plan view of a cabana showing our new design;
FIG. 2 is a side elevational view thereof, the other three sides being identical;
FIG. 3 is a partial and enlarged side elevational view of the embodiment shown in FIG. 2;
FIG. 4 is a bottom plan view thereof;
FIG. 5 is a top plan view of a second embodiment of the design shown in FIGS. 1-4;
FIG. 6 is a side elevational view thereof, the other three sides being identical;
FIG. 7 is a partial and enlarged side elevational view of the embodiment shown in FIG. 6; and,
FIG. 8 is a bottom plan view thereof.



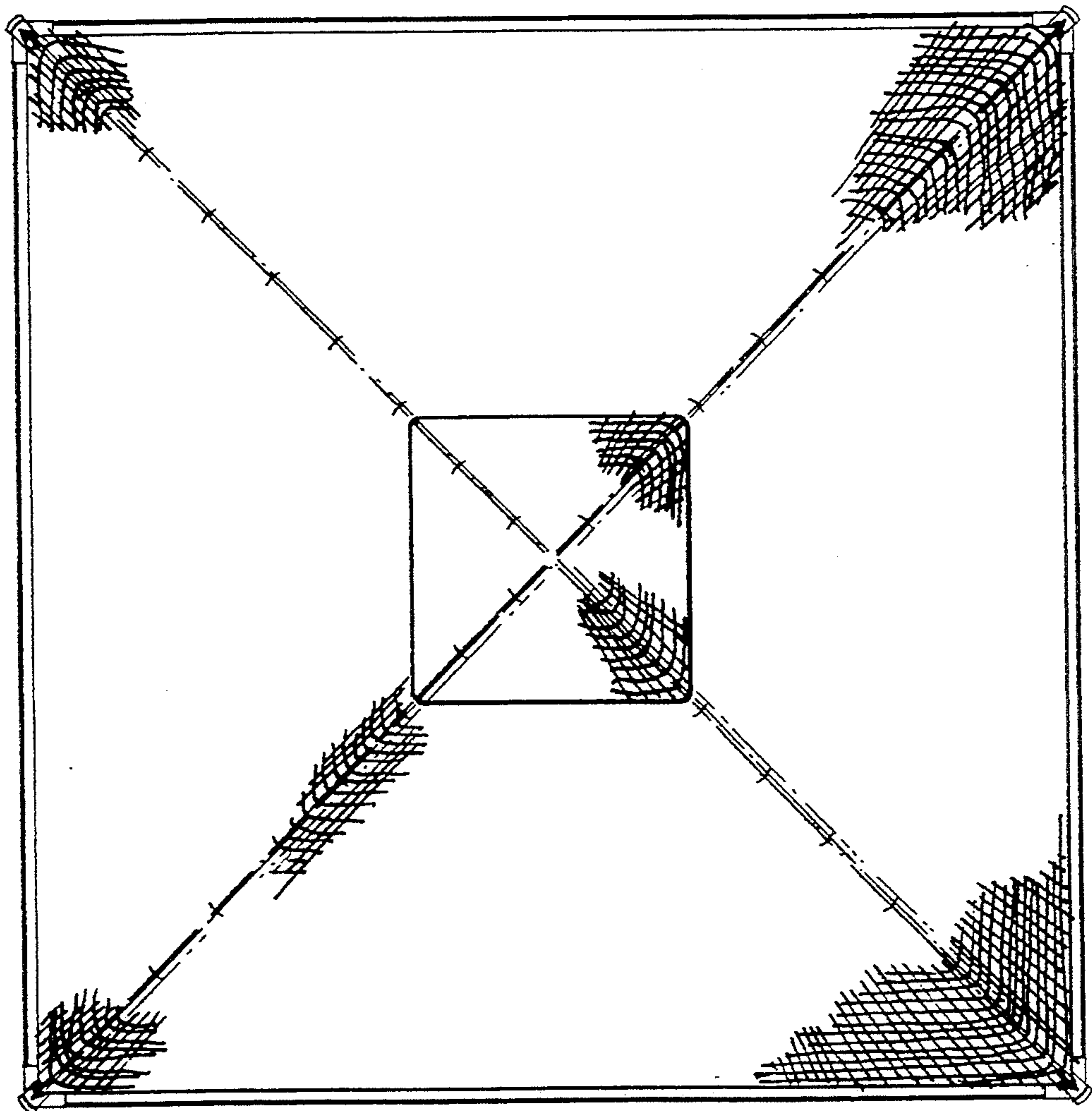


FIG. 1

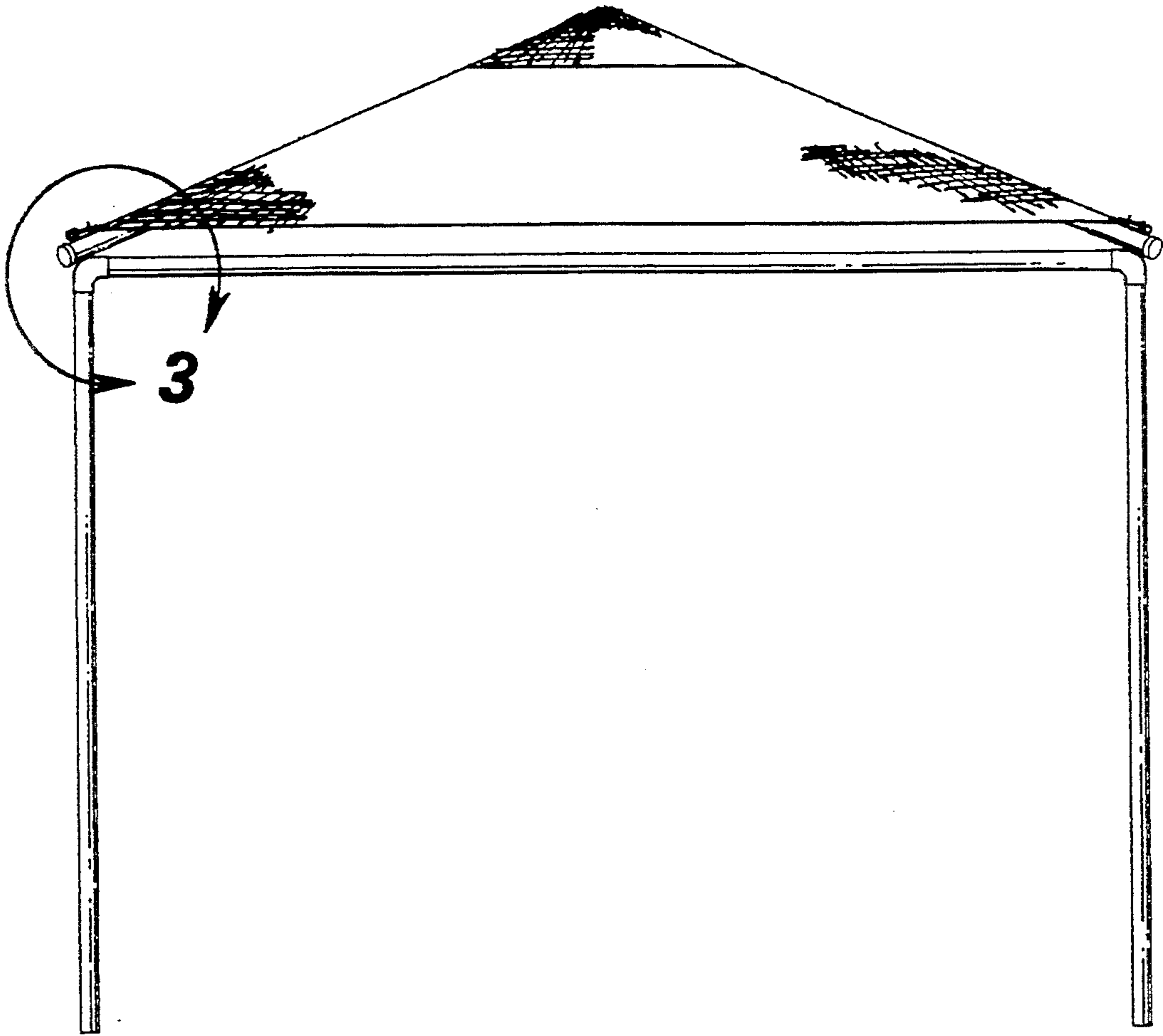


FIG. 2

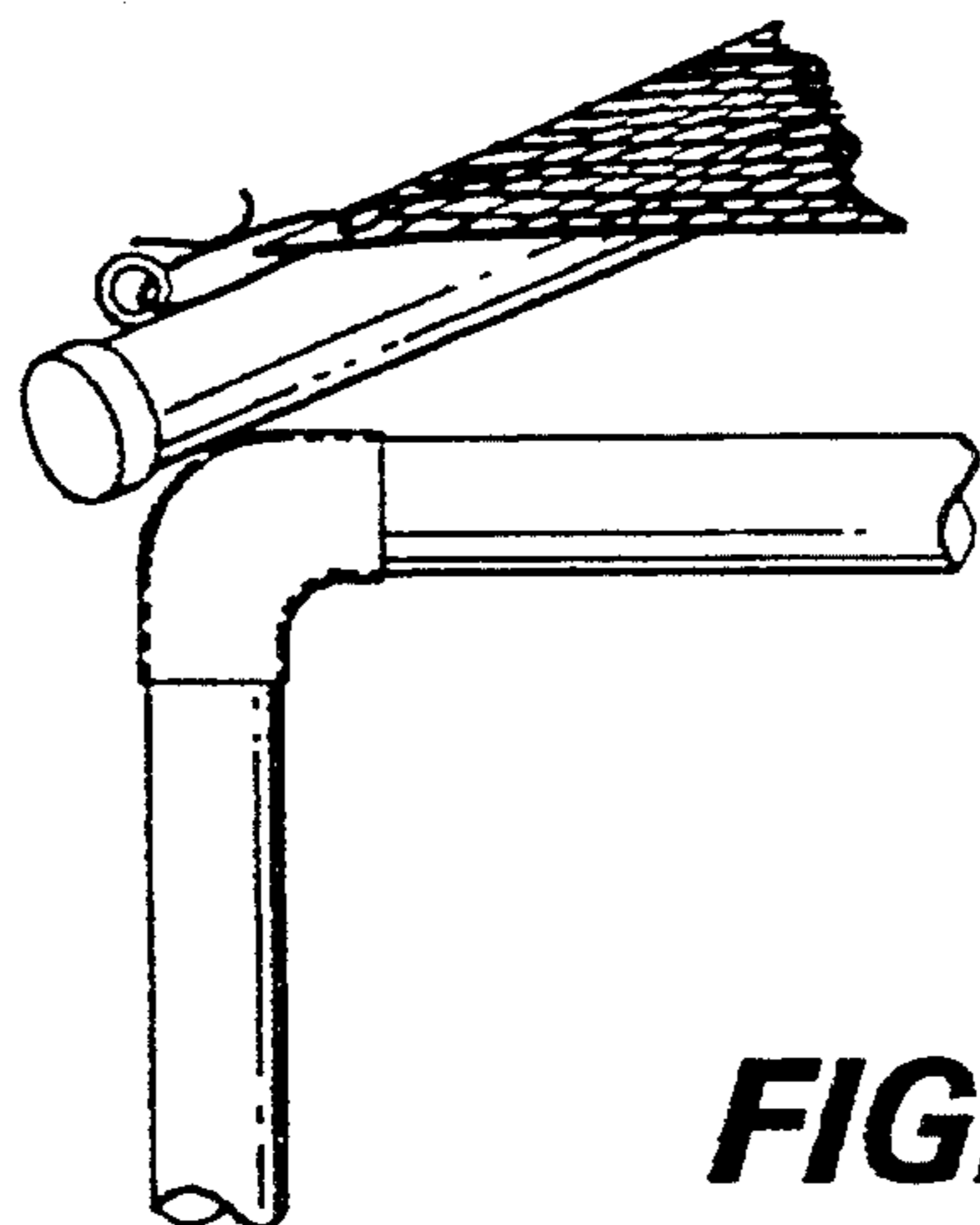


FIG. 3

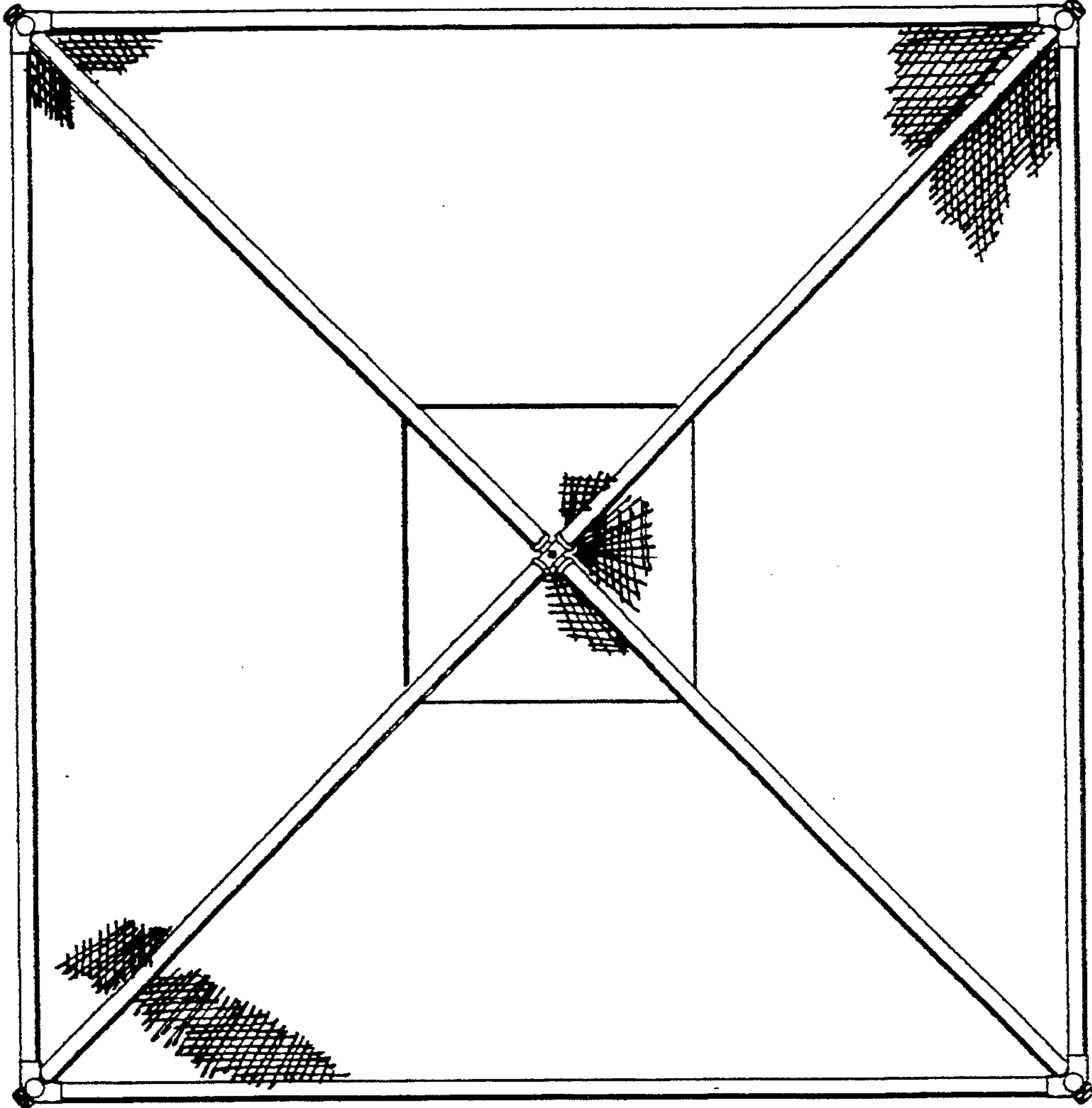


FIG. 4

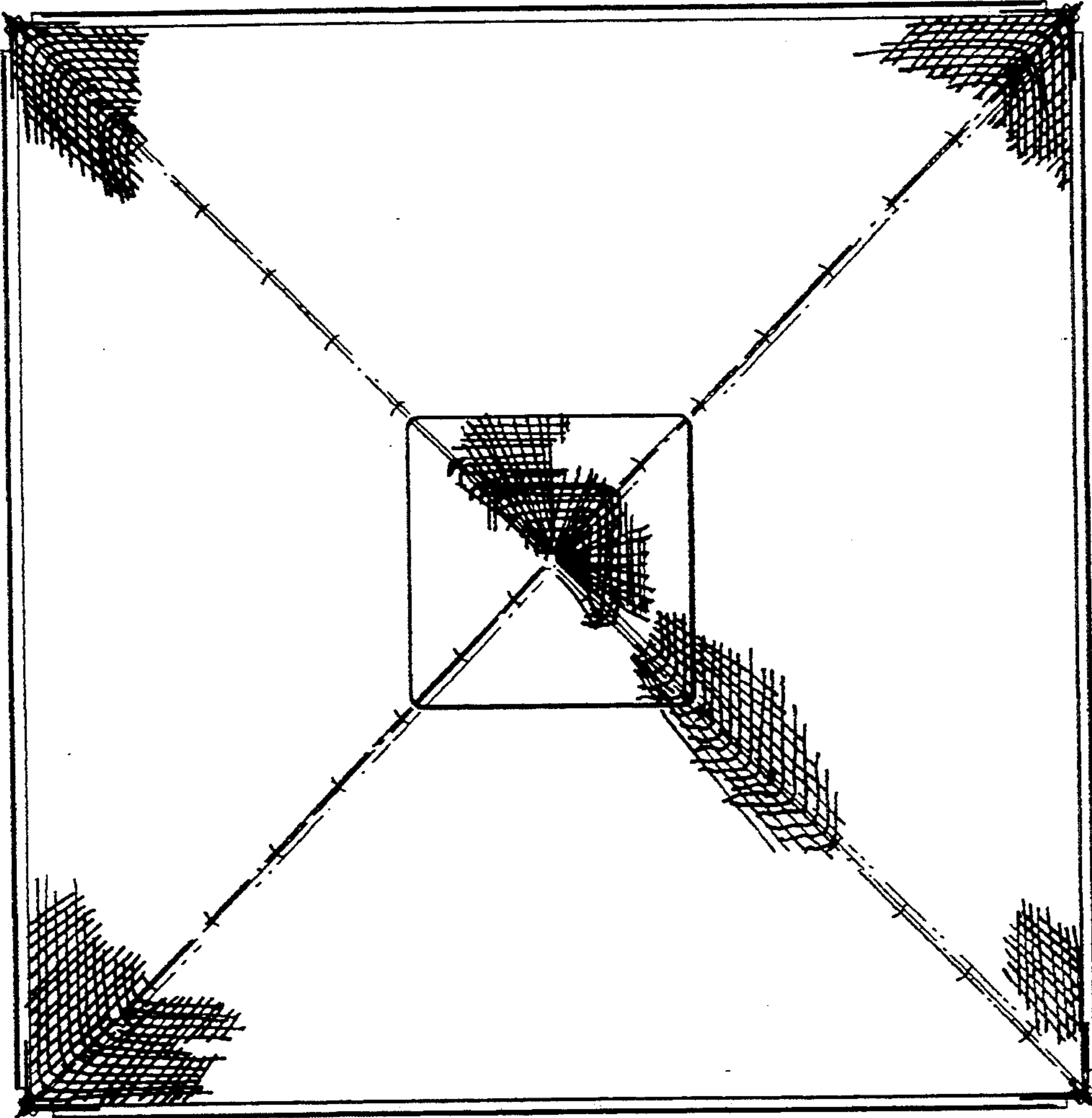


FIG. 5

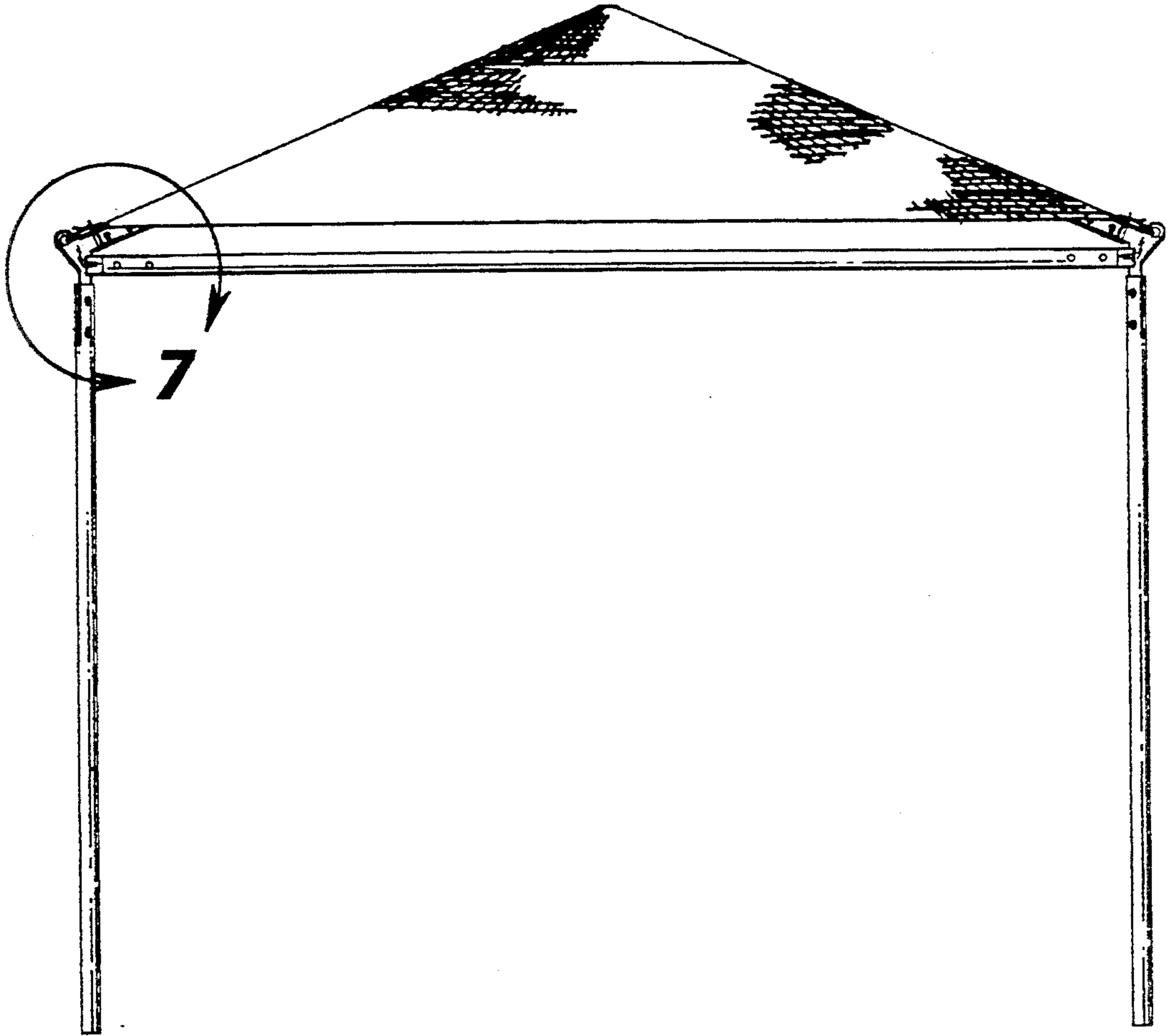


FIG. 6

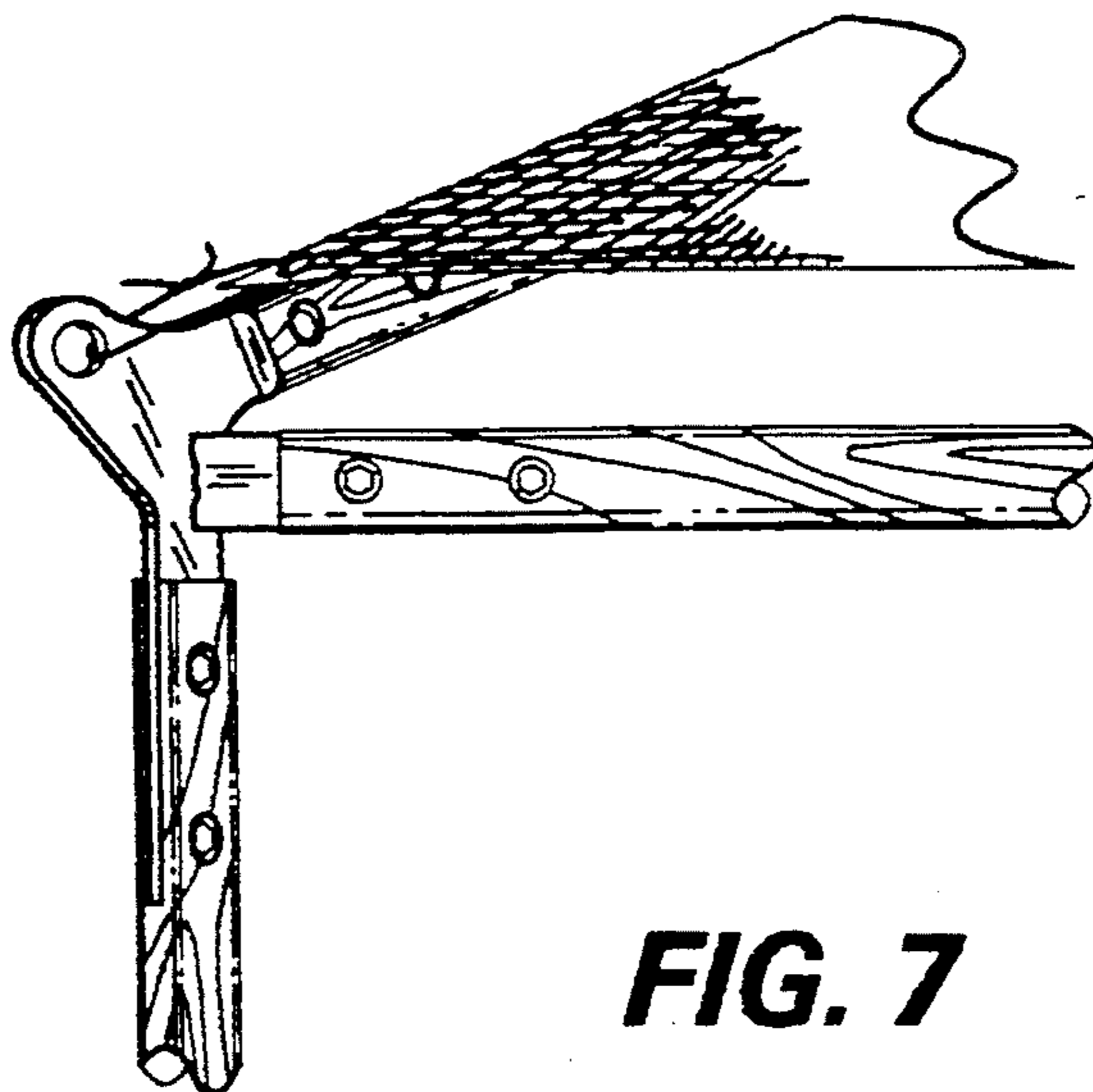


FIG. 7

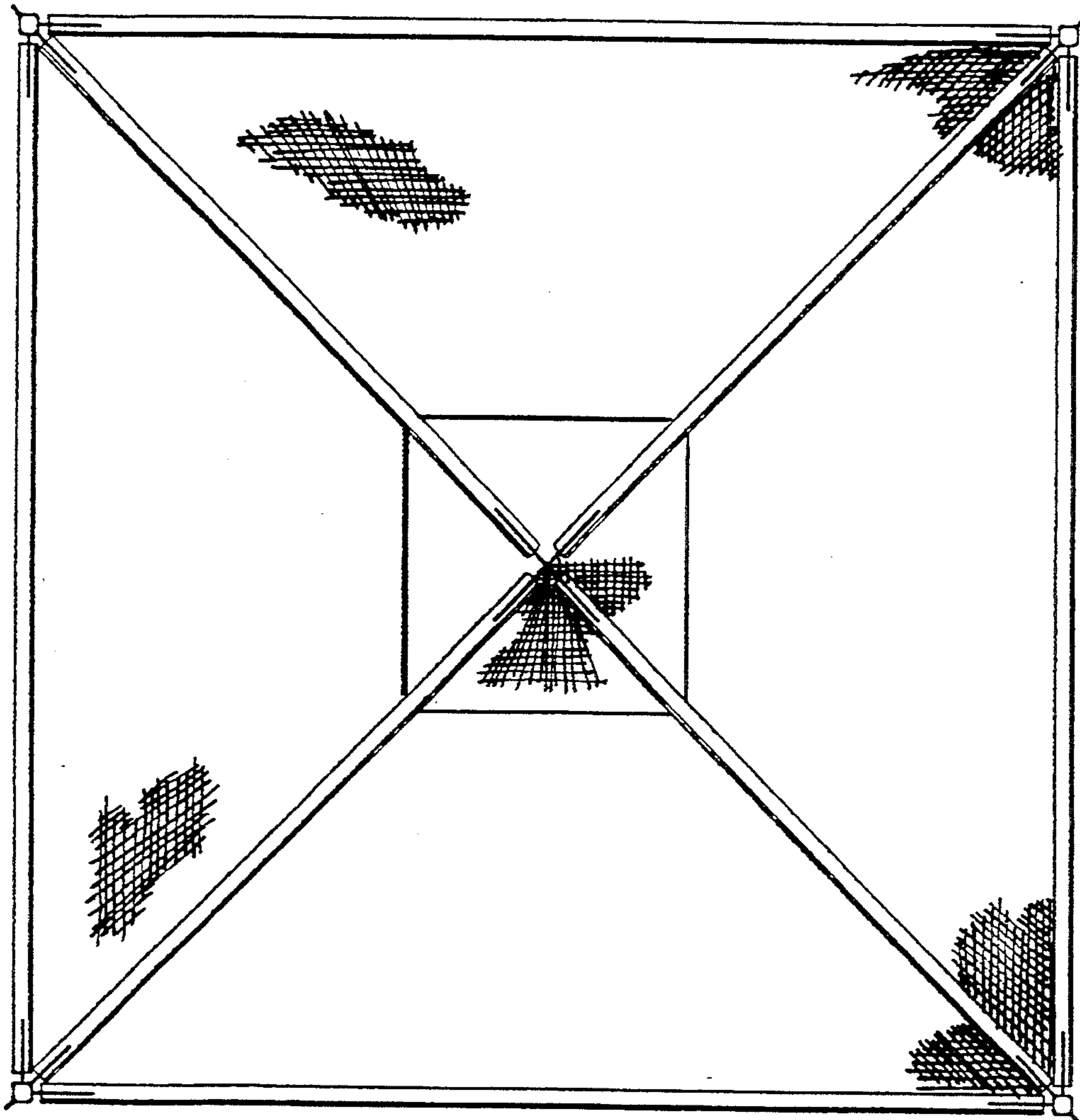


FIG. 8