



US00D361362S

United States Patent [19]
Hoard

[11] **Patent Number: Des. 361,362**

[45] **Date of Patent: ** Aug. 15, 1995**

[54] **LIFE BELT**

[76] Inventor: **Walter L. Hoard**, Rte. 3 Box 412,
Everett, Pa. 15537

[**] Term: **14 Years**

[21] Appl. No.: **21,779**

[22] Filed: **Apr. 25, 1994**

[52] U.S. Cl. **D21/238**

[58] Field of Search **D21/238; D2/627, 628,
D2/630; 441/113, 94, 108**

[56] **References Cited**

U.S. PATENT DOCUMENTS

| | | | |
|------------|--------|---------------|---------|
| D. 302,874 | 8/1989 | Bossart | D21/238 |
| 1,759,711 | 5/1930 | Price | 441/113 |
| 3,148,393 | 9/1964 | McCuaig | 441/113 |
| 4,842,562 | 6/1989 | Supal . | |

5,022,879 6/1991 Di Forte .

5,114,041 5/1992 Di Forte .

5,178,569 1/1993 Wang .

5,180,321 1/1993 Brown 441/113

Primary Examiner—Kay H. Chin

[57] **CLAIM**

The ornamental design for the life belt, as shown and described.

DESCRIPTION

FIG. 1 is a front elevational view of the life belt showing a use of my new design;
FIG. 2 is a rear elevational view thereof;
FIG. 3 is a left side elevational view thereof;
FIG. 4 is a right side elevational view thereof;
FIG. 5 is a top plan view thereof;
FIG. 6 is a bottom plan view thereof; and,
FIG. 7 is a perspective view thereof.

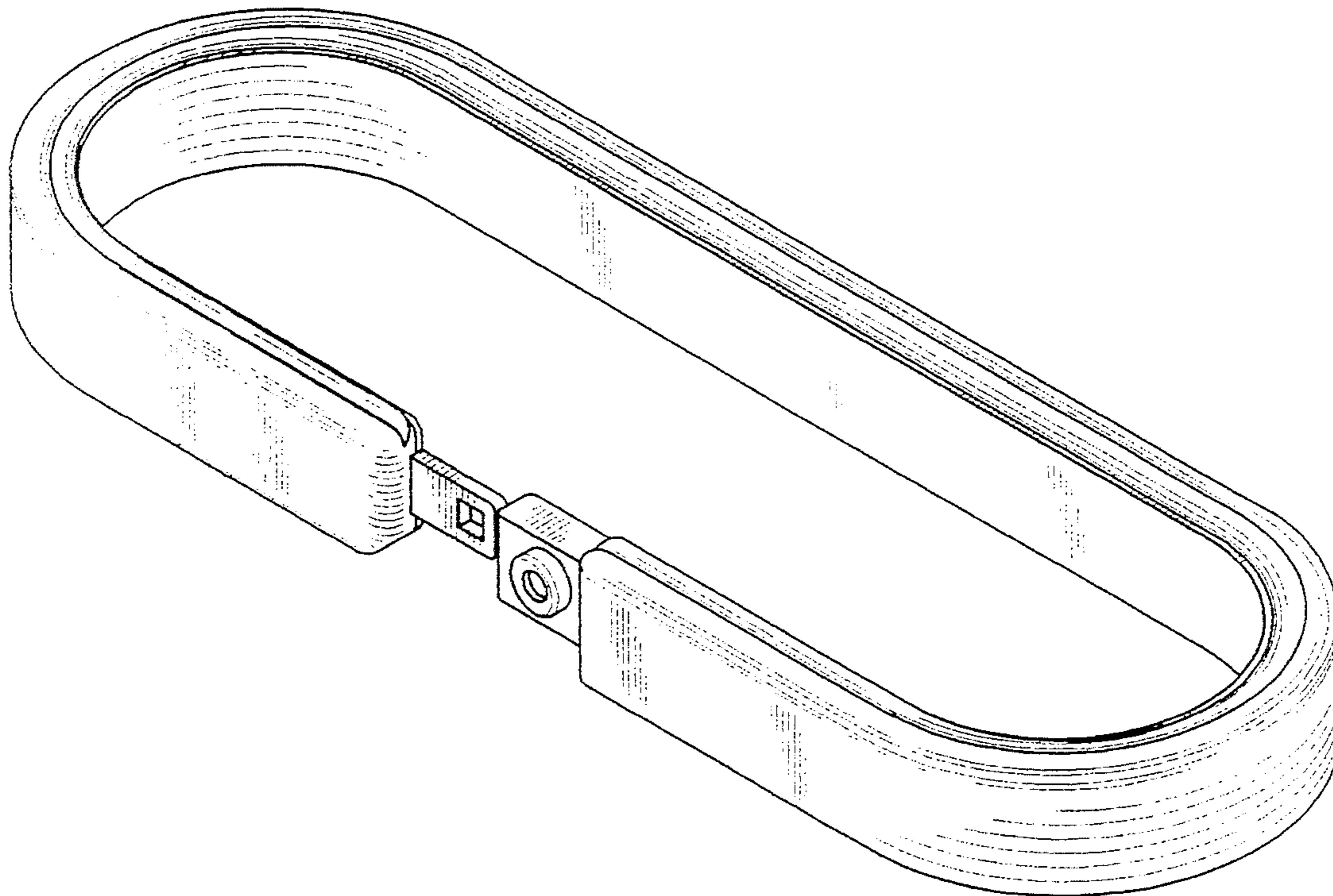


FIG. 1

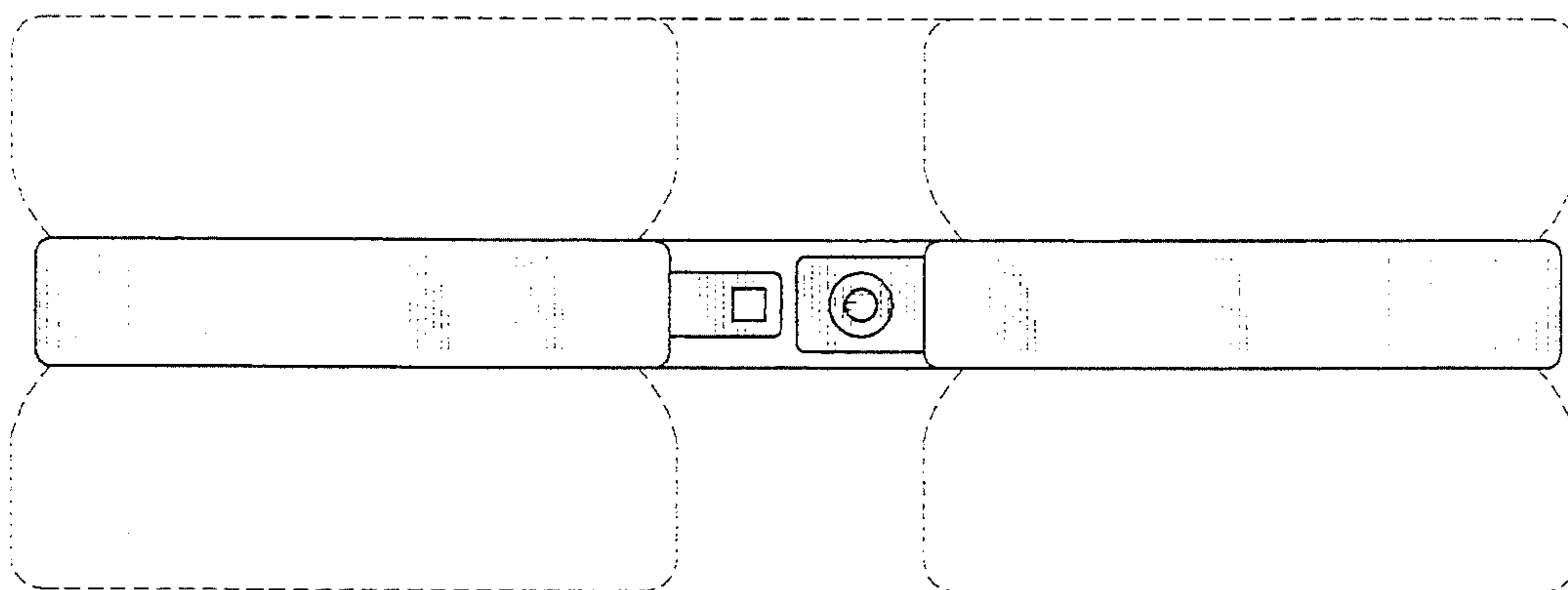


FIG. 2

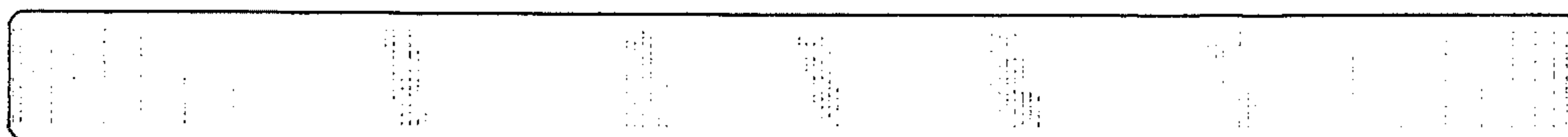


FIG. 3



FIG. 4



FIG. 5

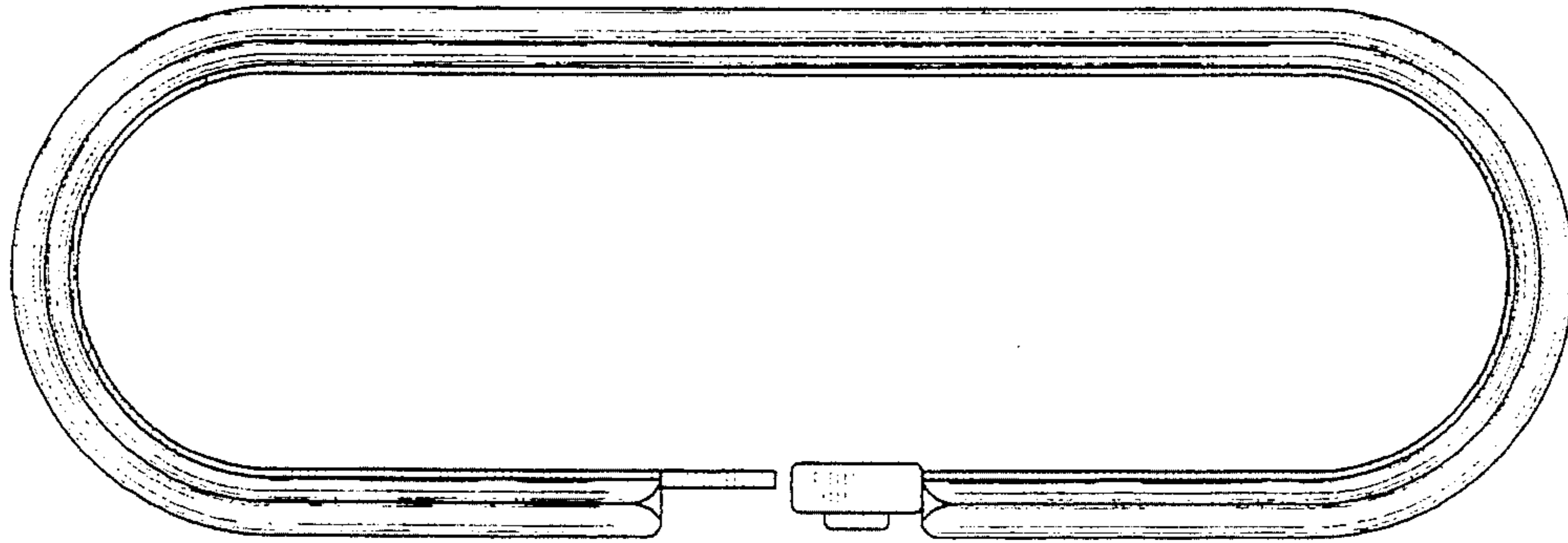


FIG. 6

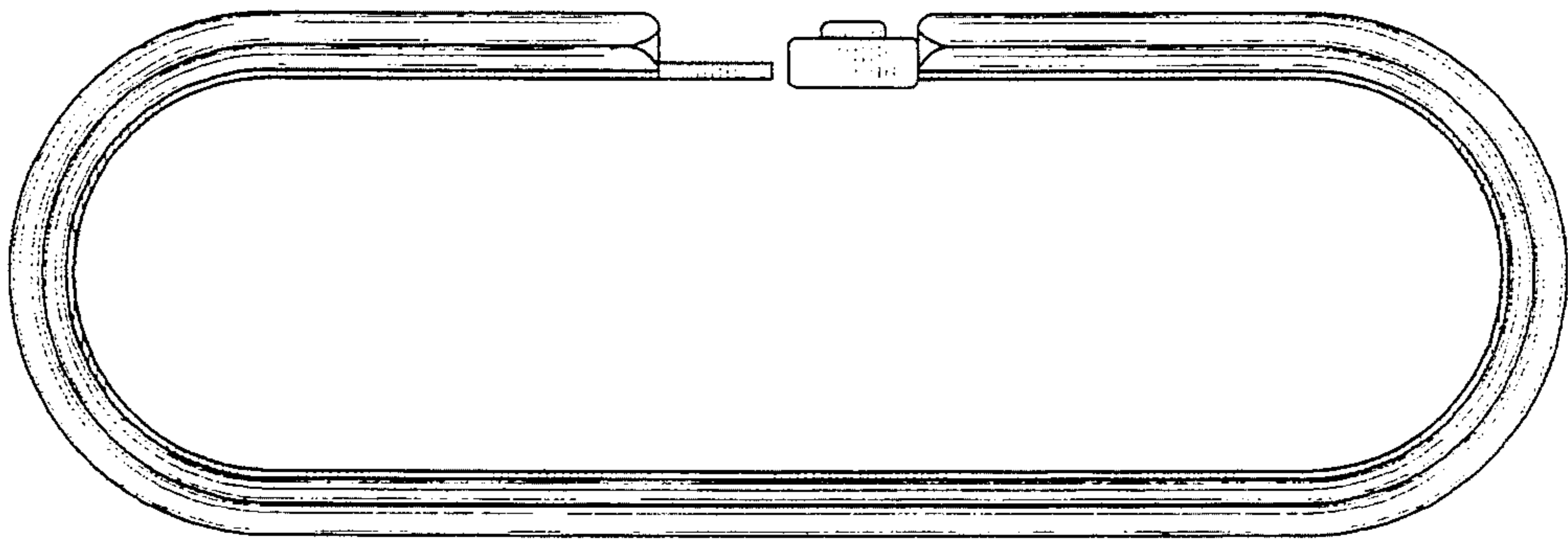


FIG. 7

