



US00D361354S

# United States Patent [19]

[11] Patent Number: **Des. 361,354**

Bailey et al.

[45] Date of Patent: **\*\* Aug. 15, 1995**

## [54] GOLF BALL RETRIEVER

[76] Inventors: **Bret R. Bailey**, 47988 N. Jefferson, New Baltimore, Mich. 48047;  
**Lawrence E. Combs**, 2700 N. Hayden, Ste. 3088, Scottsdale, Ariz. 85257

[\*\*] Term: **14 Years**

[21] Appl. No.: **24,058**

[22] Filed: **Jun. 7, 1994**

[52] U.S. Cl. .... **D21/206**

[58] Field of Search ..... **D21/206; 273/162 E, 273/162 D, 32 F; 294/19.1, 19.2, 24**

## [56] References Cited

### U.S. PATENT DOCUMENTS

D. 181,028	9/1957	Steinle .....	D21/206
D. 347,042	5/1994	Garcia .....	D21/206
2,448,644	7/1948	Williams .....	294/19
2,489,958	11/1949	Douglass .....	294/19
2,561,815	7/1951	Oberg .....	294/19
3,749,407	7/1973	Prochnow .....	273/162 E
5,112,093	5/1992	Kindling .....	273/162 E X

## OTHER PUBLICATIONS

Little Dipper™ Ball Retriever, Herrington Catalog, Holiday '94 Edition.

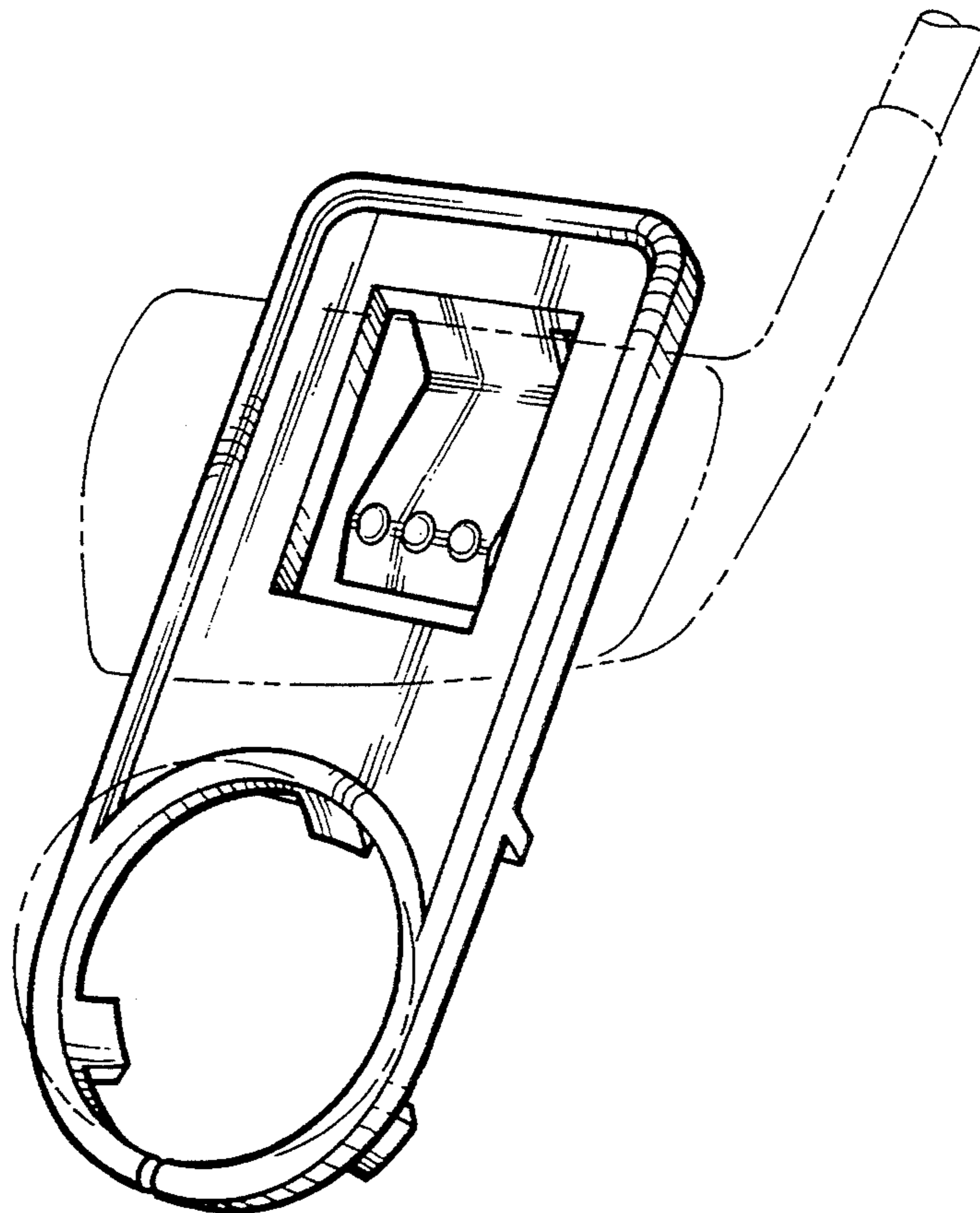
*Primary Examiner*—Theodore M. Shooman  
*Assistant Examiner*—Cheri Cohen  
*Attorney, Agent, or Firm*—Dinnin & Dunn

## [57] CLAIM

The ornamental design for a golf ball retriever, as shown and described.

## DESCRIPTION

FIG. 1 is a perspective view of a golf ball retriever showing our new design;  
FIG. 2 is a top view of the design for a golf ball retriever as shown in FIG. 1;  
FIG. 3 is a bottom view of the design for a golf ball retriever as shown in FIG. 1;  
FIG. 4 is a side elevation view thereof, the opposite side being a mirror image;  
FIG. 5 is an end view taken from the bottom of FIG. 2; and,  
FIG. 6 is an end view taken from the top of that shown in FIG. 5.  
The broken line showing of the golf club head and golf ball in FIG. 1 is for illustrative purposes only and forms no part of the claimed design.



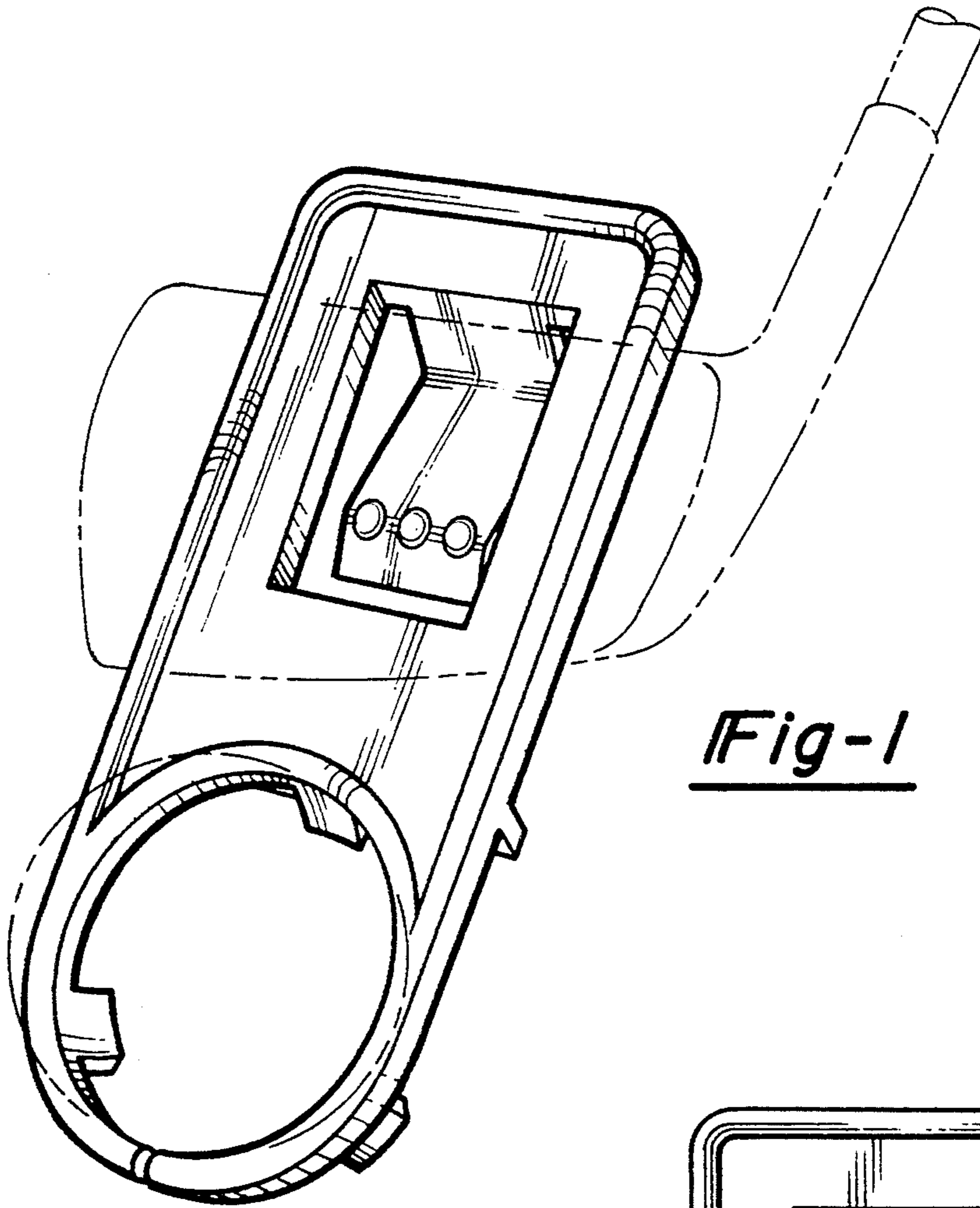
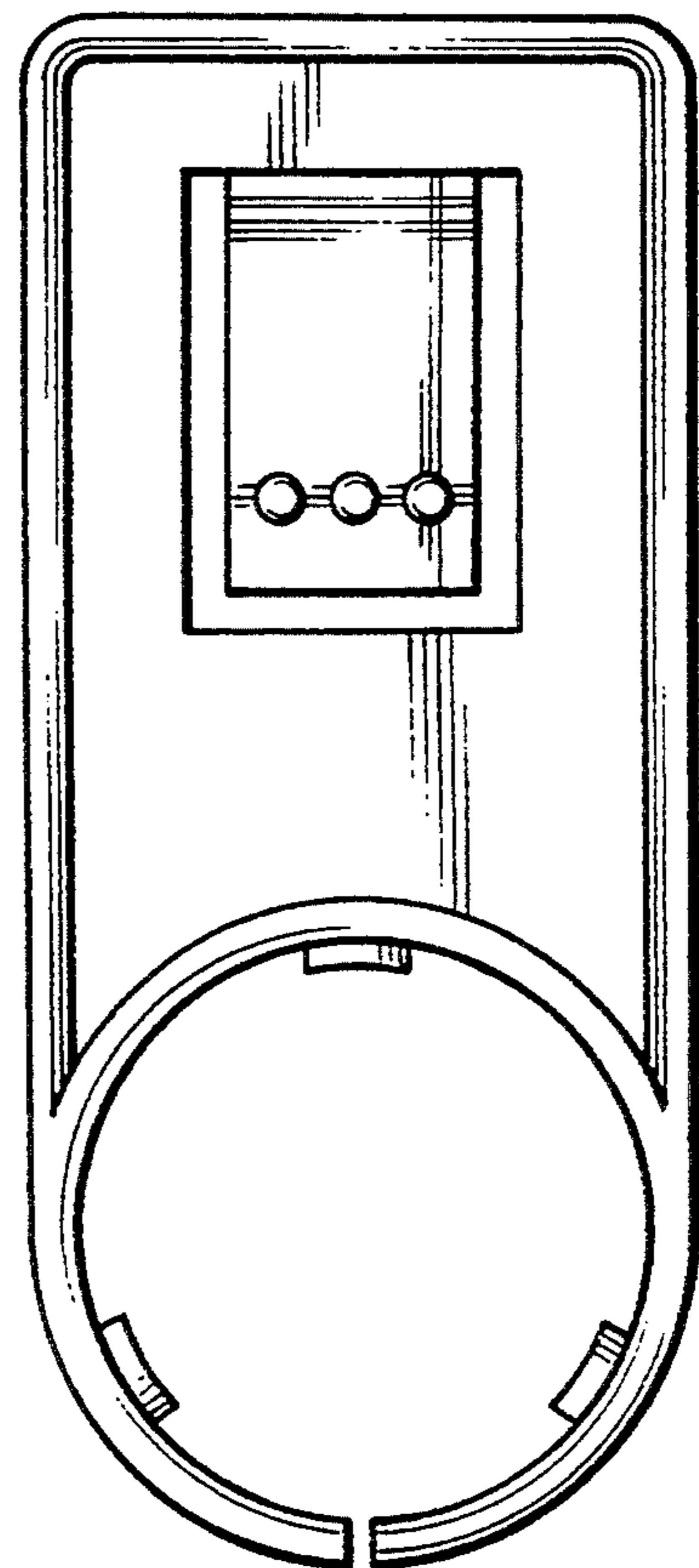


Fig-1

Fig-2



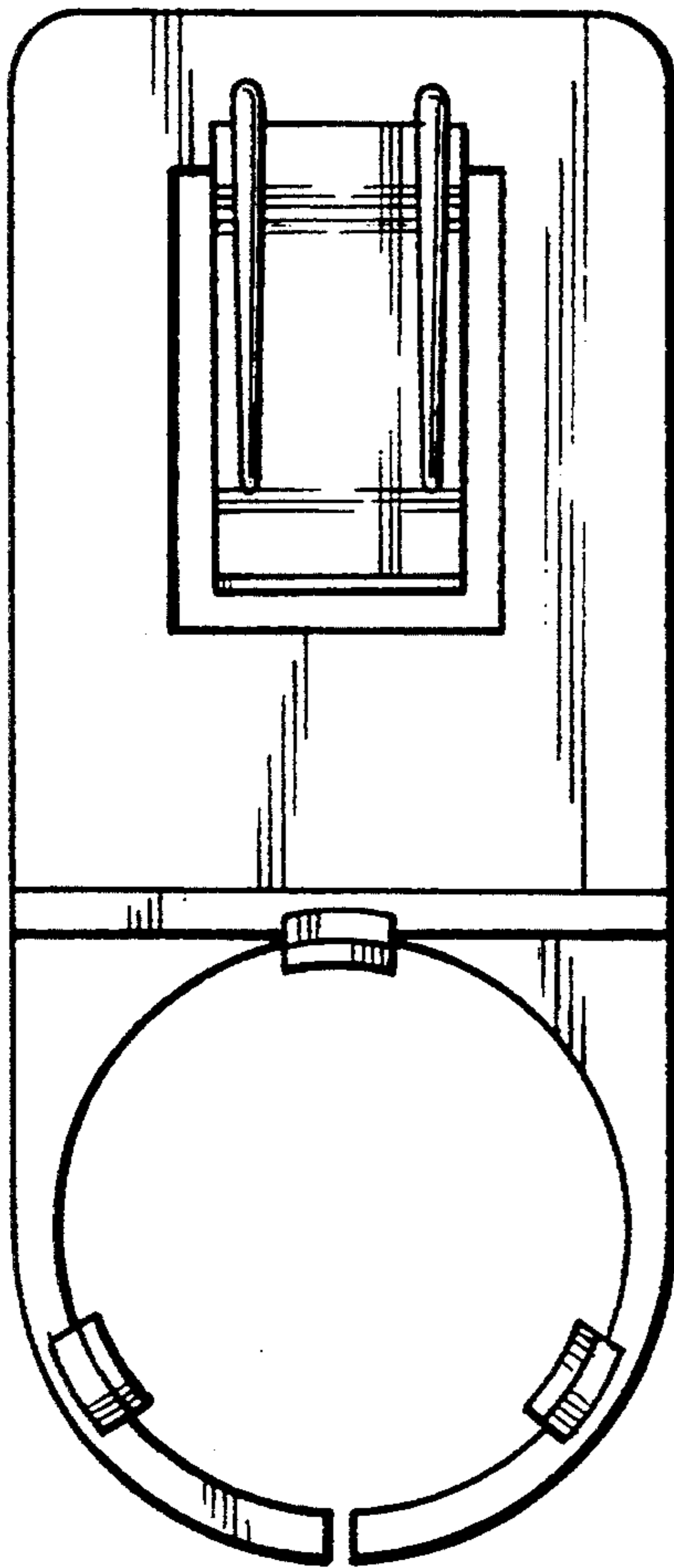


Fig-3

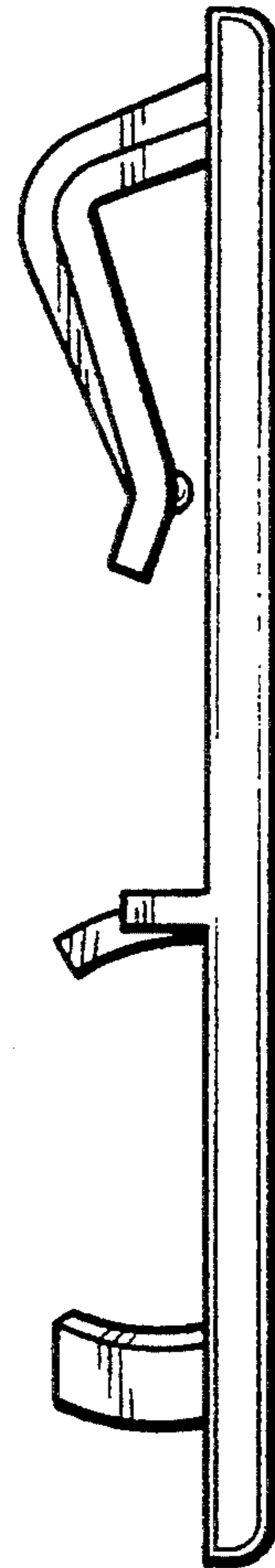


Fig-4

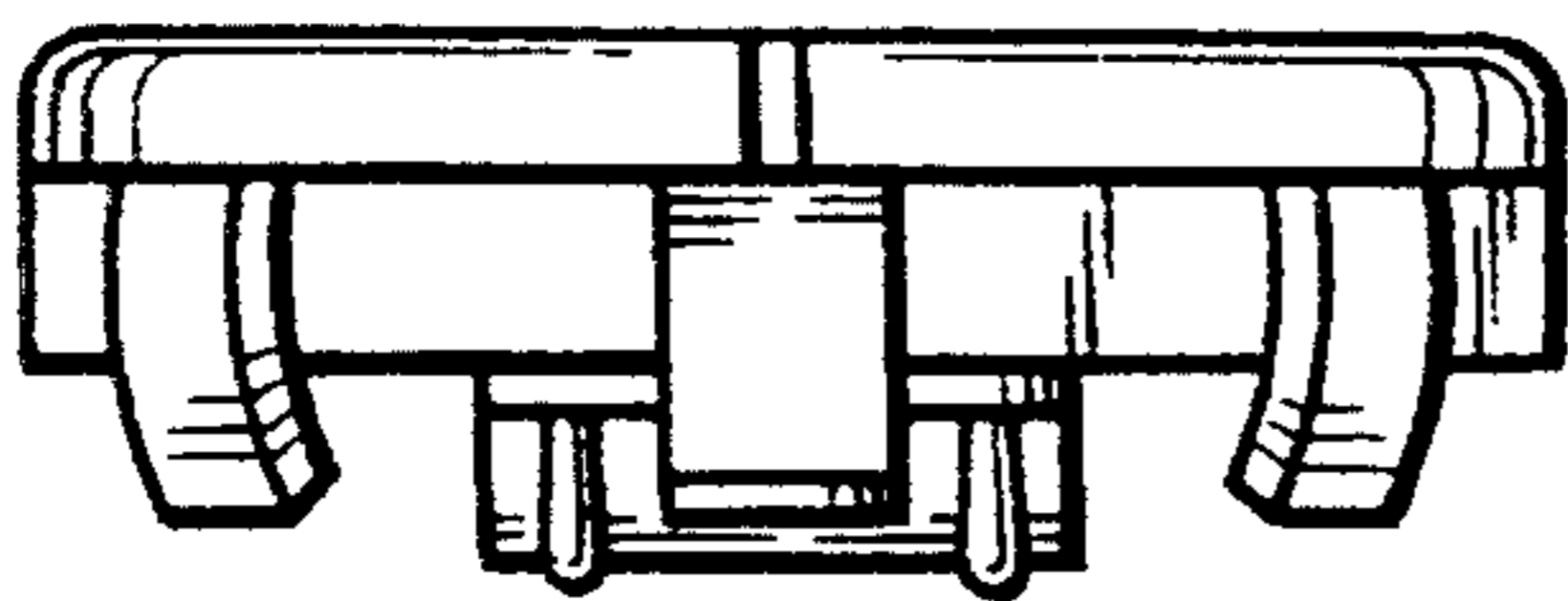


Fig-5

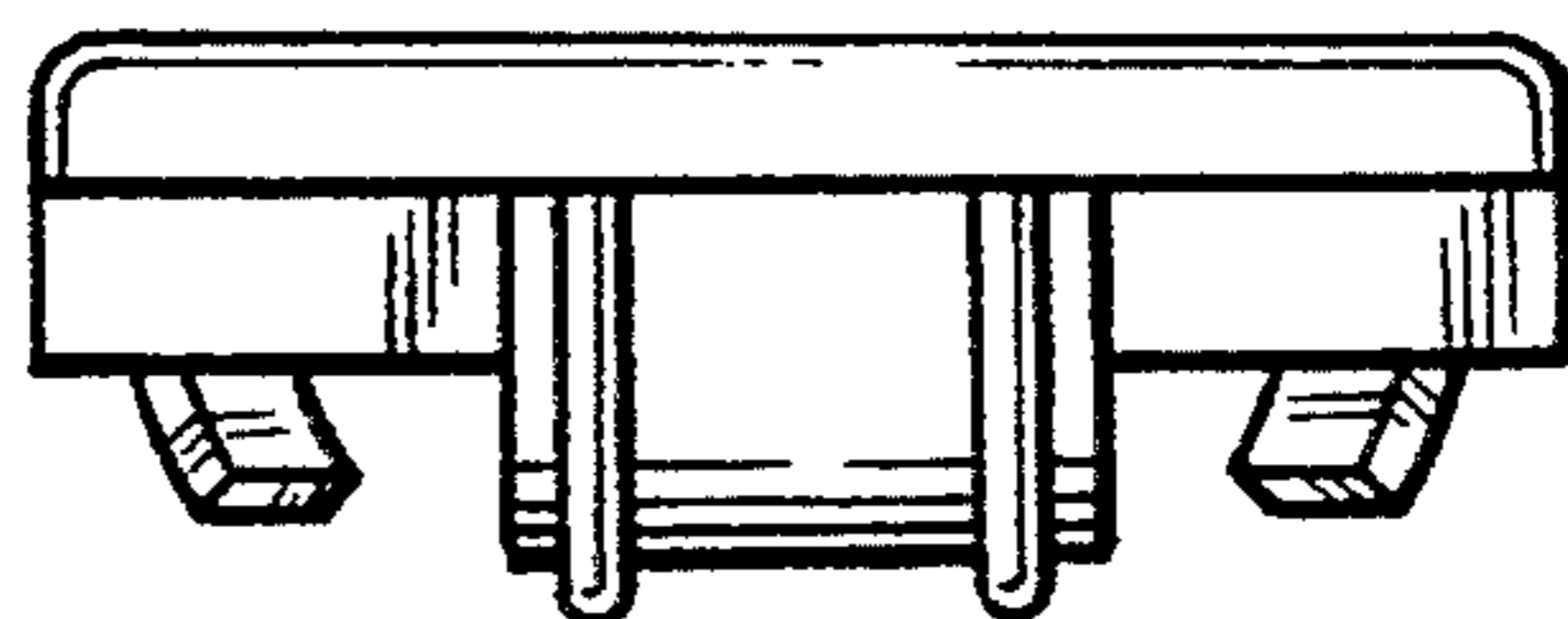


Fig-6