



US00D361353S

United States Patent [19]

[11] Patent Number: Des. 361,353

Smith

[45] Date of Patent: ** Aug. 15, 1995

[54] COMBINED CORNER AND SPLICE JOINT AND FASTENER FOR A SOCCER GOAL

Assistant Examiner—Cheri Cohen
Attorney, Agent, or Firm—Wood, Herron & Evans

[76] Inventor: Daniel R. Smith, 2918 Ferguson Rd., Cincinnati, Ohio 45238

[57] CLAIM

[**] Term: 14 Years

The ornamental design for a combined corner and splice joint and fastener for a soccer goal, as shown and described.

[21] Appl. No.: 11,566

DESCRIPTION

[22] Filed: Aug. 9, 1993

[52] U.S. Cl. D21/200

[58] Field of Search D21/200; 273/26 A, 26 R, 273/396, 411, 127 R, 127 C, 127 D, 181 F, 181 R, 182 R, 182 A, 400, 407; D25/67; D16/334

FIG. 1 is a front and top perspective view of the combined corner and splice joint and fastener for a soccer goal design of this invention;

FIG. 2 is a front elevational view of a corner joint embodiment incorporating the design of this invention;

FIG. 3 is a left side view thereof;

FIG. 4 is a right side view thereof;

FIG. 5 is a top elevational view thereof;

FIG. 6 is a bottom view thereof;

FIG. 7 is a rear elevational view thereof;

FIG. 8 is a front elevational view of a splice joint embodiment incorporating the joint design of this invention;

FIG. 9 is a left side view thereof;

FIG. 10 is a right side view thereof;

FIG. 11 is a top view, the bottom view being a mirror image; and,

FIG. 12 is a rear elevational view.

The phantom lines in FIG. 1 depict environment and do not constitute an element of the design of this invention.

[56] References Cited

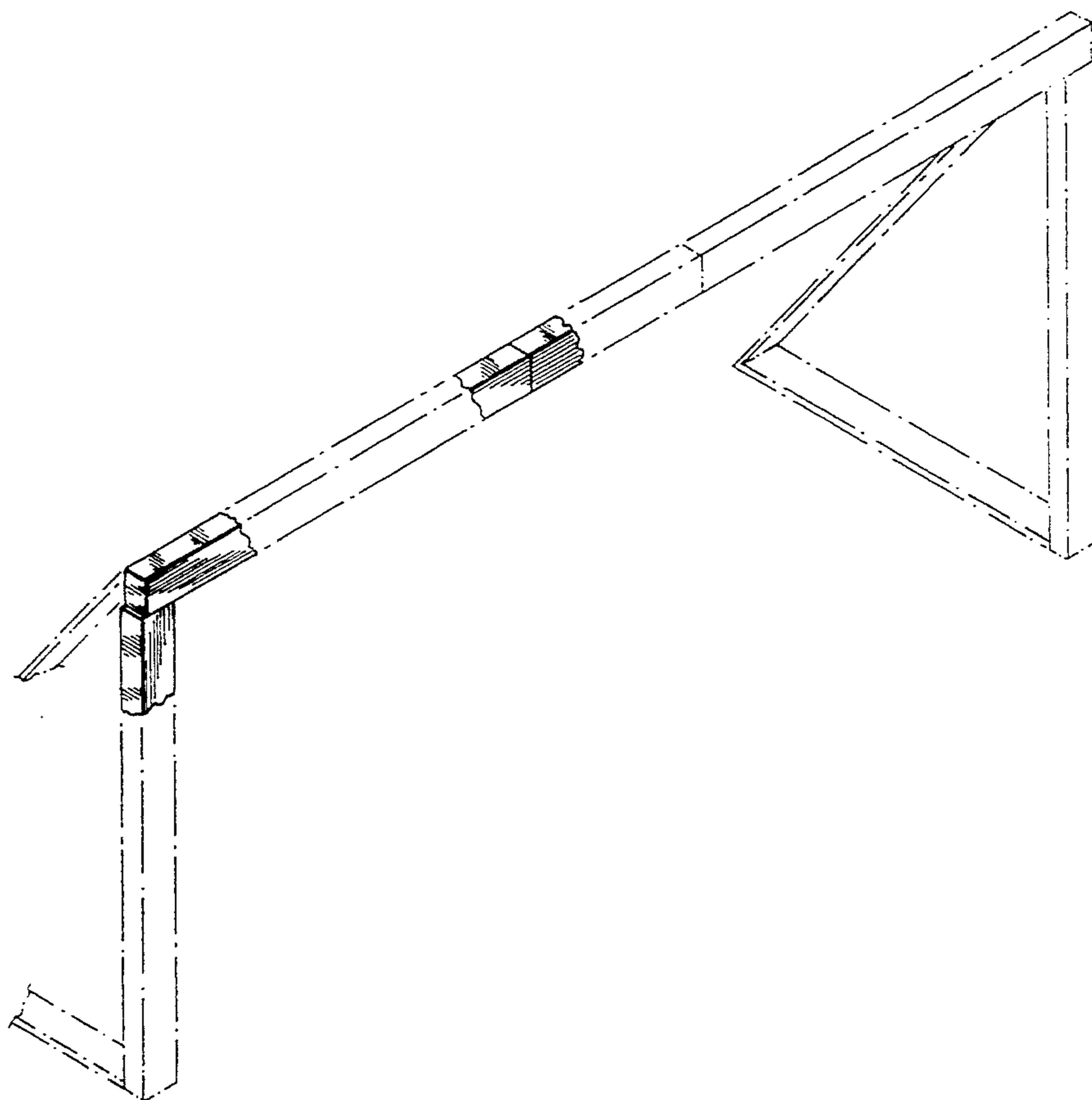
U.S. PATENT DOCUMENTS

D. 337,363	7/1993	Pavonetti	D21/200
869,106	10/1907	Schmidt	.	
1,806,710	5/1931	Ross	.	
4,127,272	11/1978	Pennell	273/102
4,169,598	10/1979	Taylor	273/400
4,270,748	6/1981	Ray	272/56.5
4,407,507	10/1983	Caruso et al.	273/400
5,080,375	1/1992	Moosavi	273/400

FOREIGN PATENT DOCUMENTS

2847701	5/1980	Germany	273/400
---------	--------	---------	-------	---------

Primary Examiner—Theodore M. Shooman



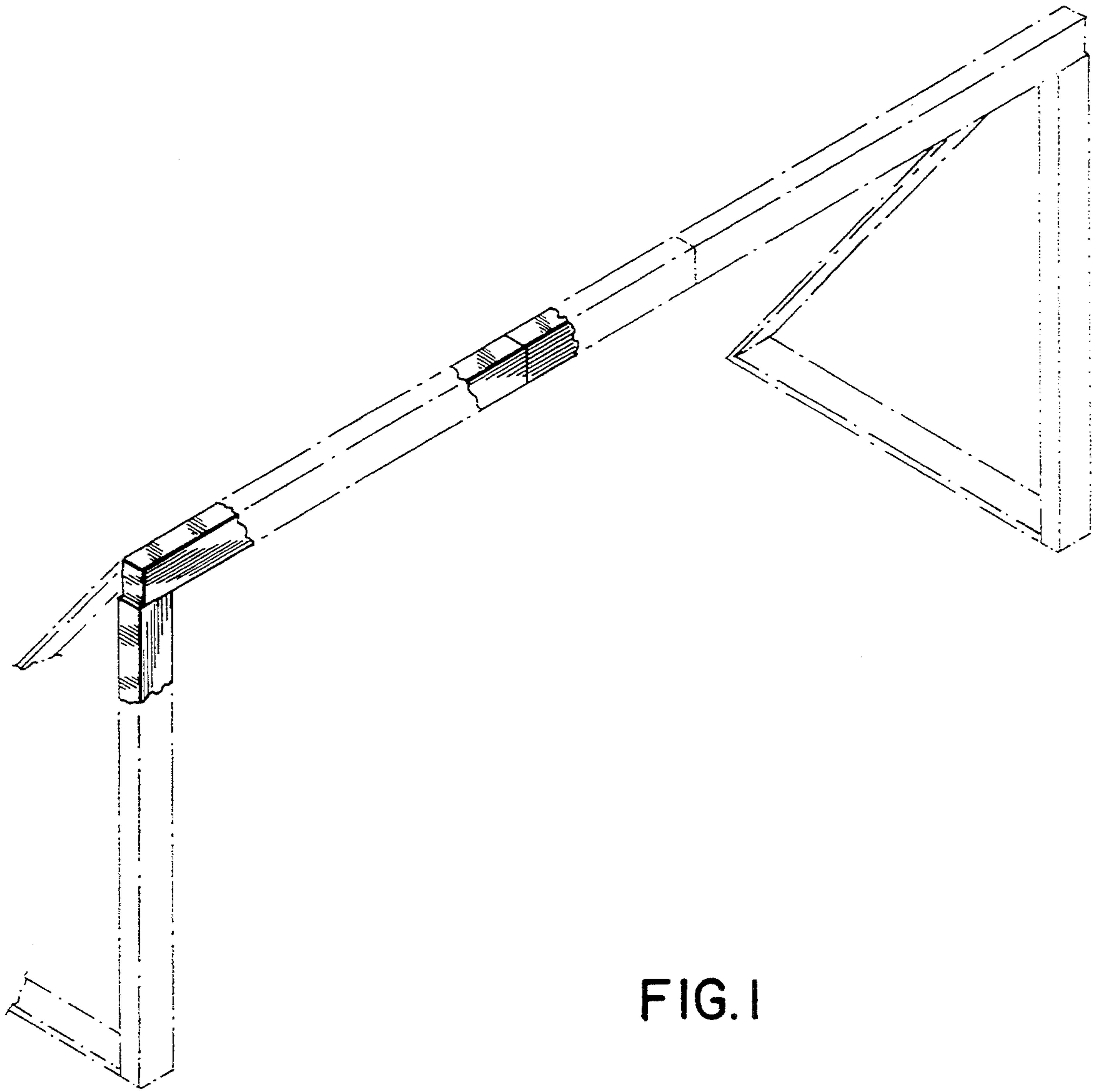


FIG. 1

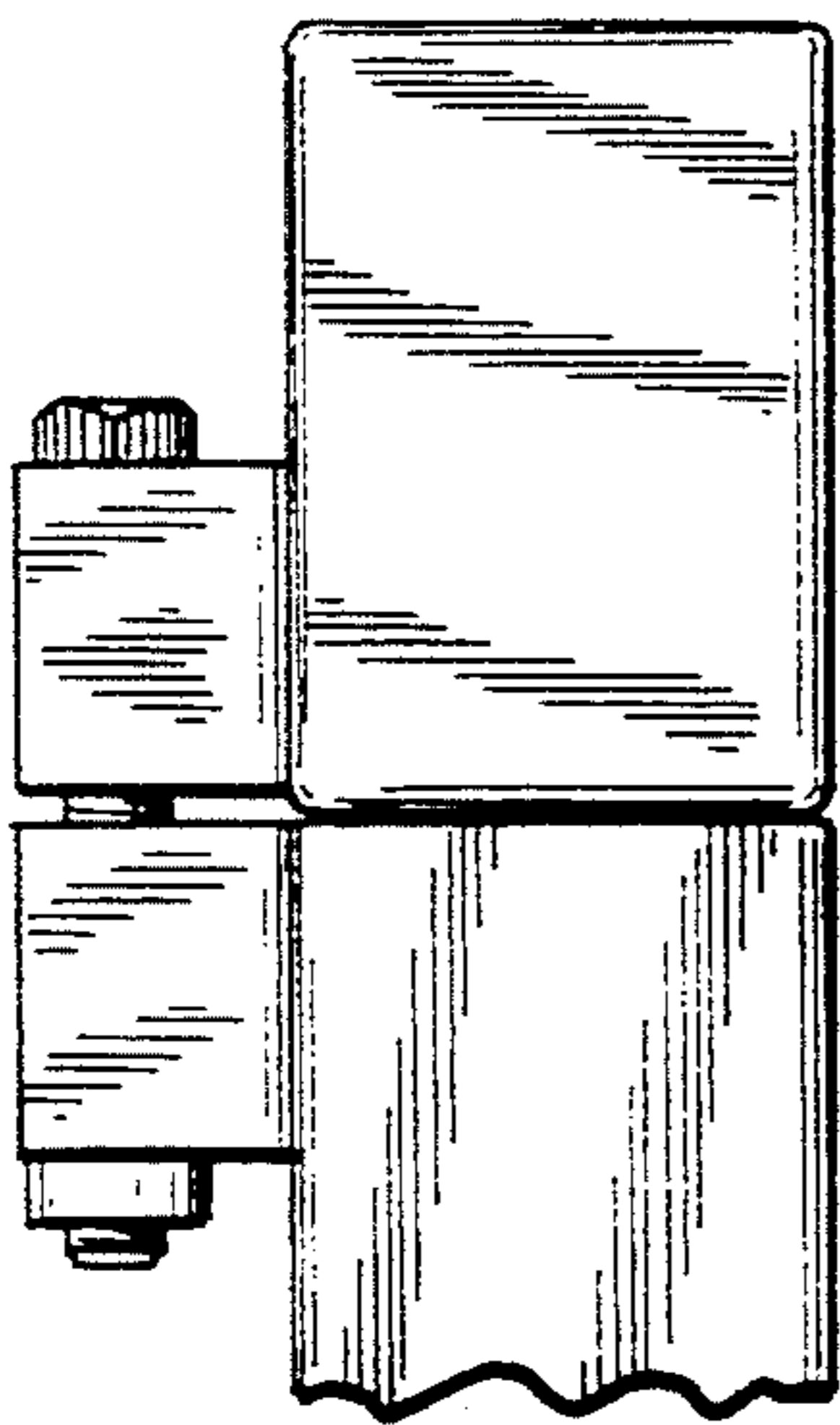


FIG. 3

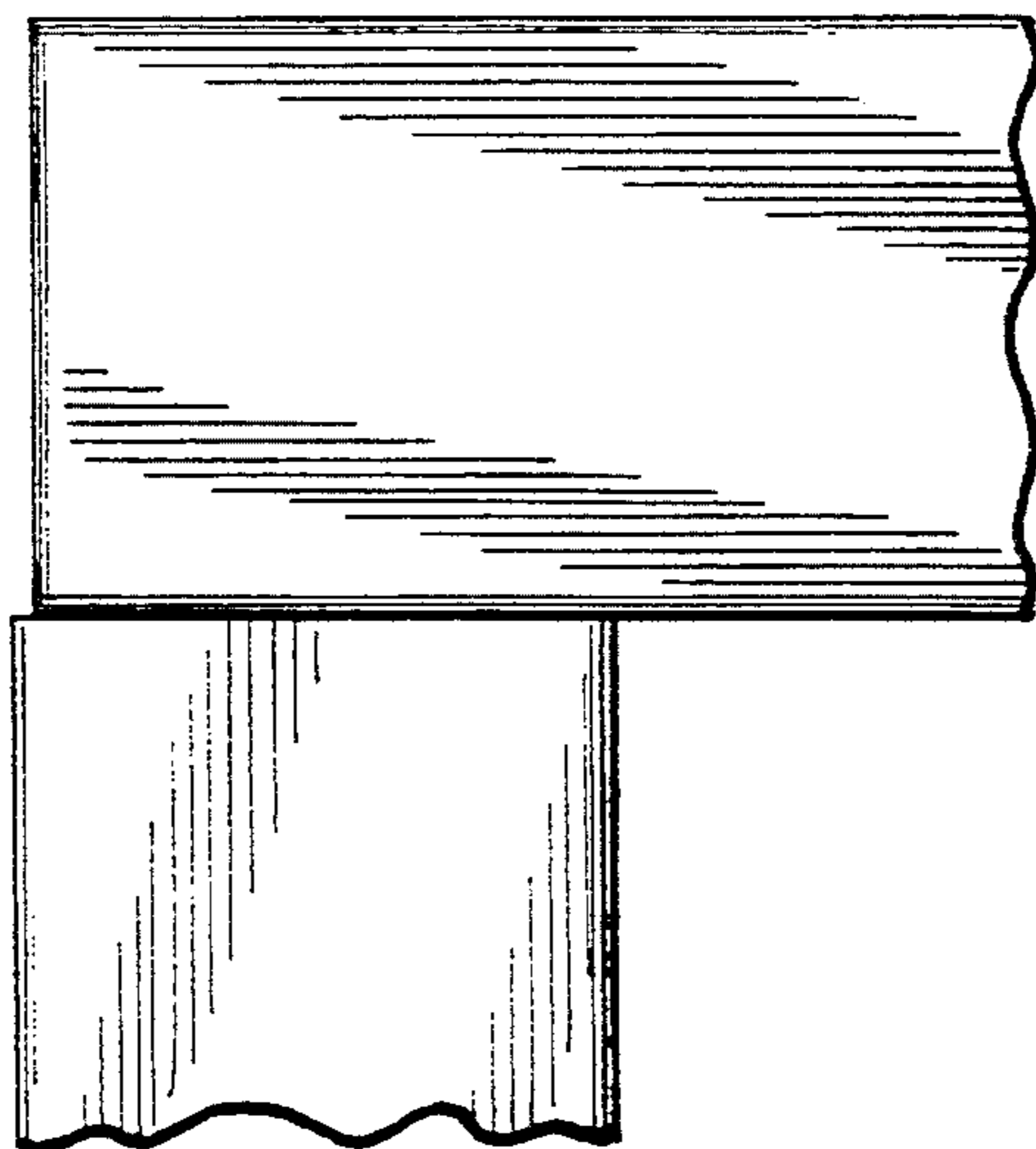


FIG. 2

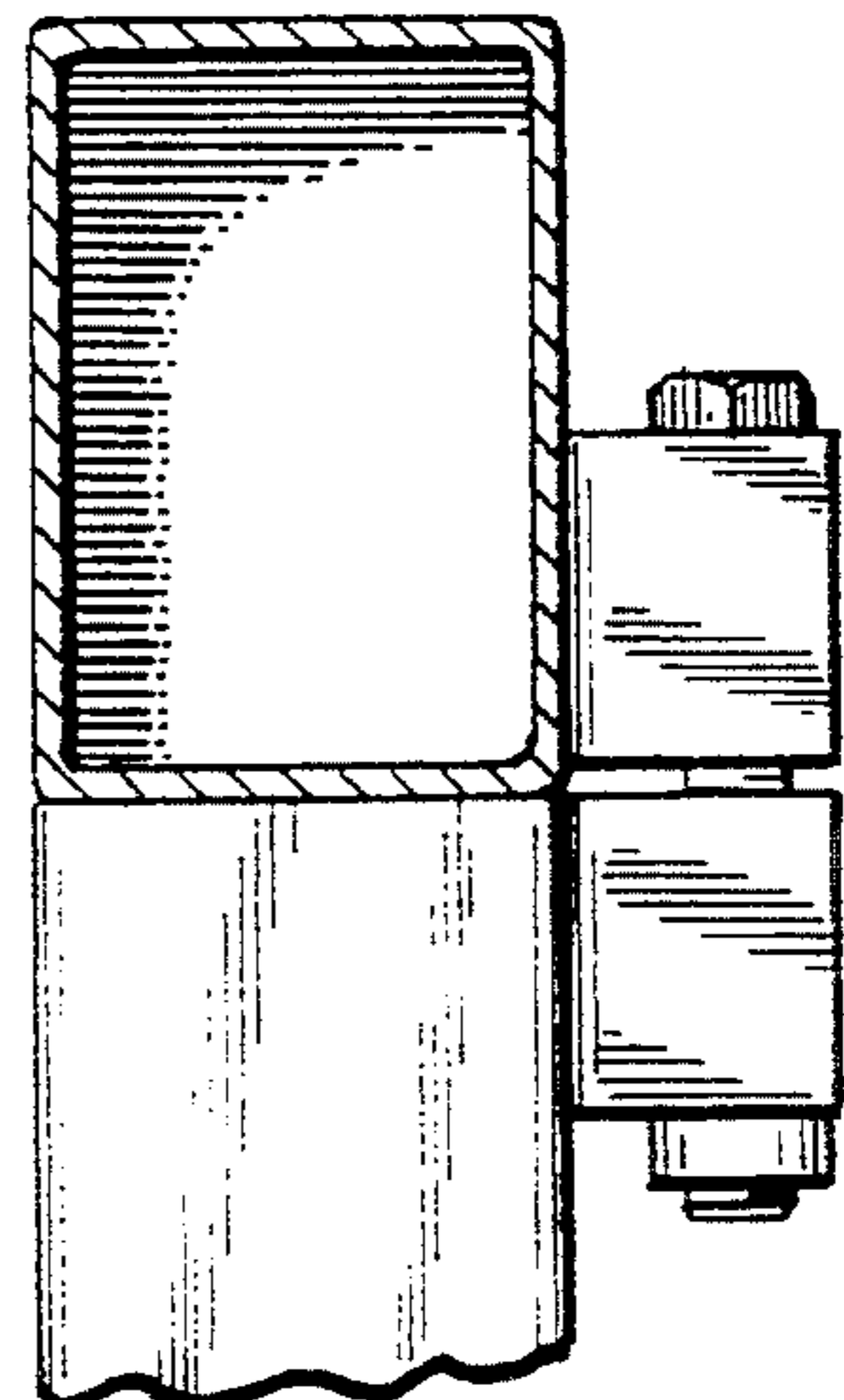


FIG. 4

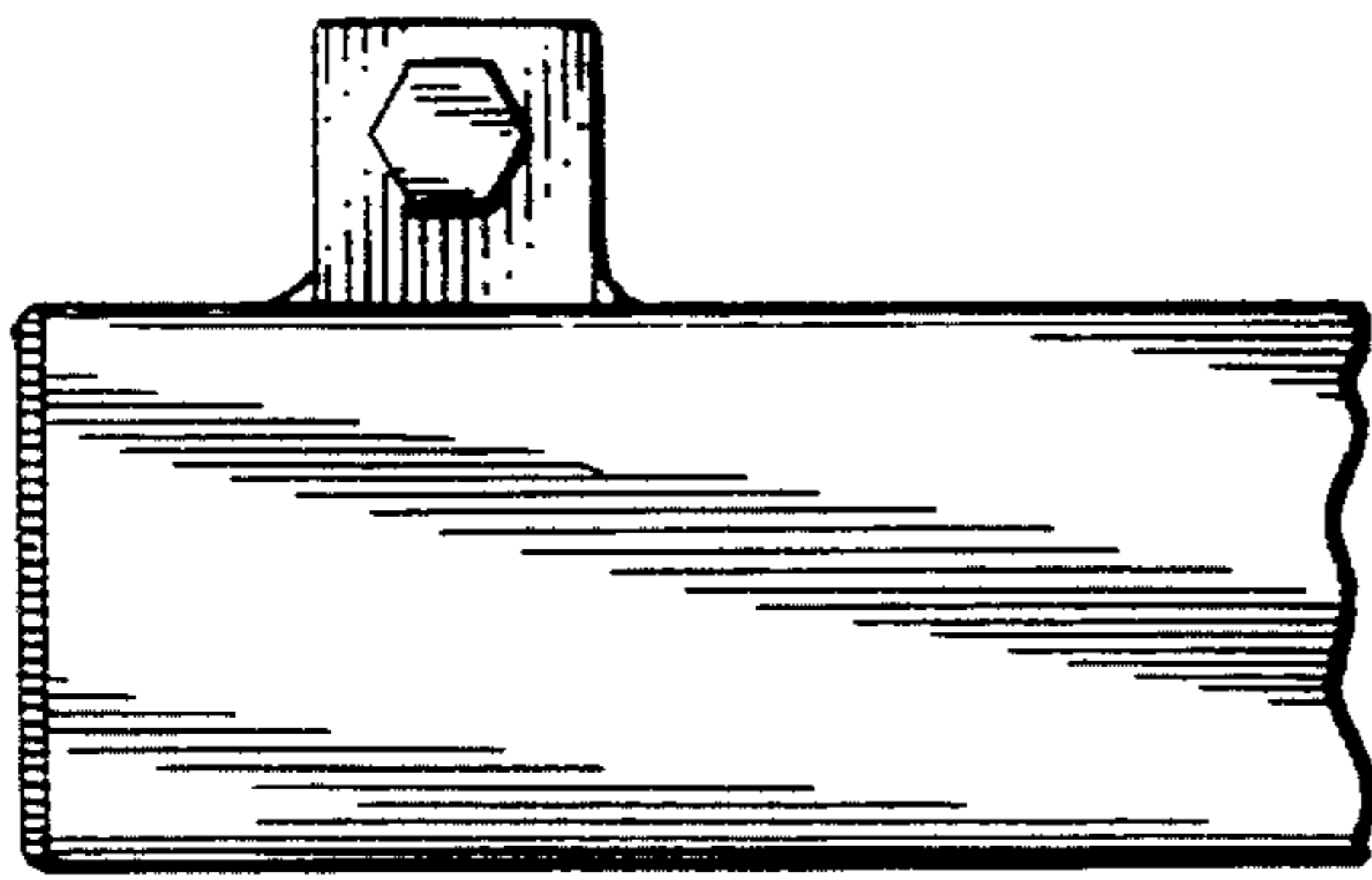


FIG. 5

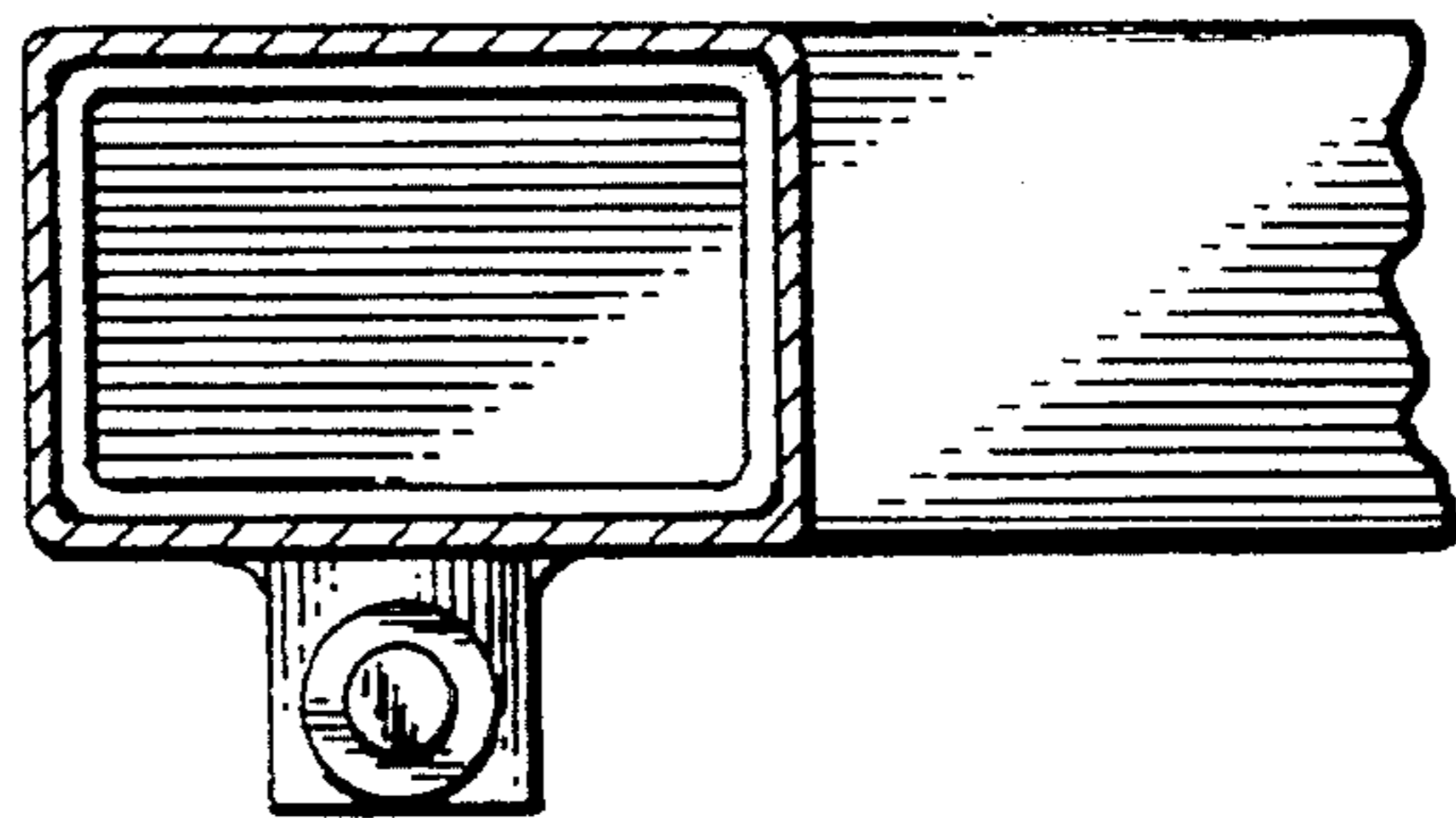


FIG. 6

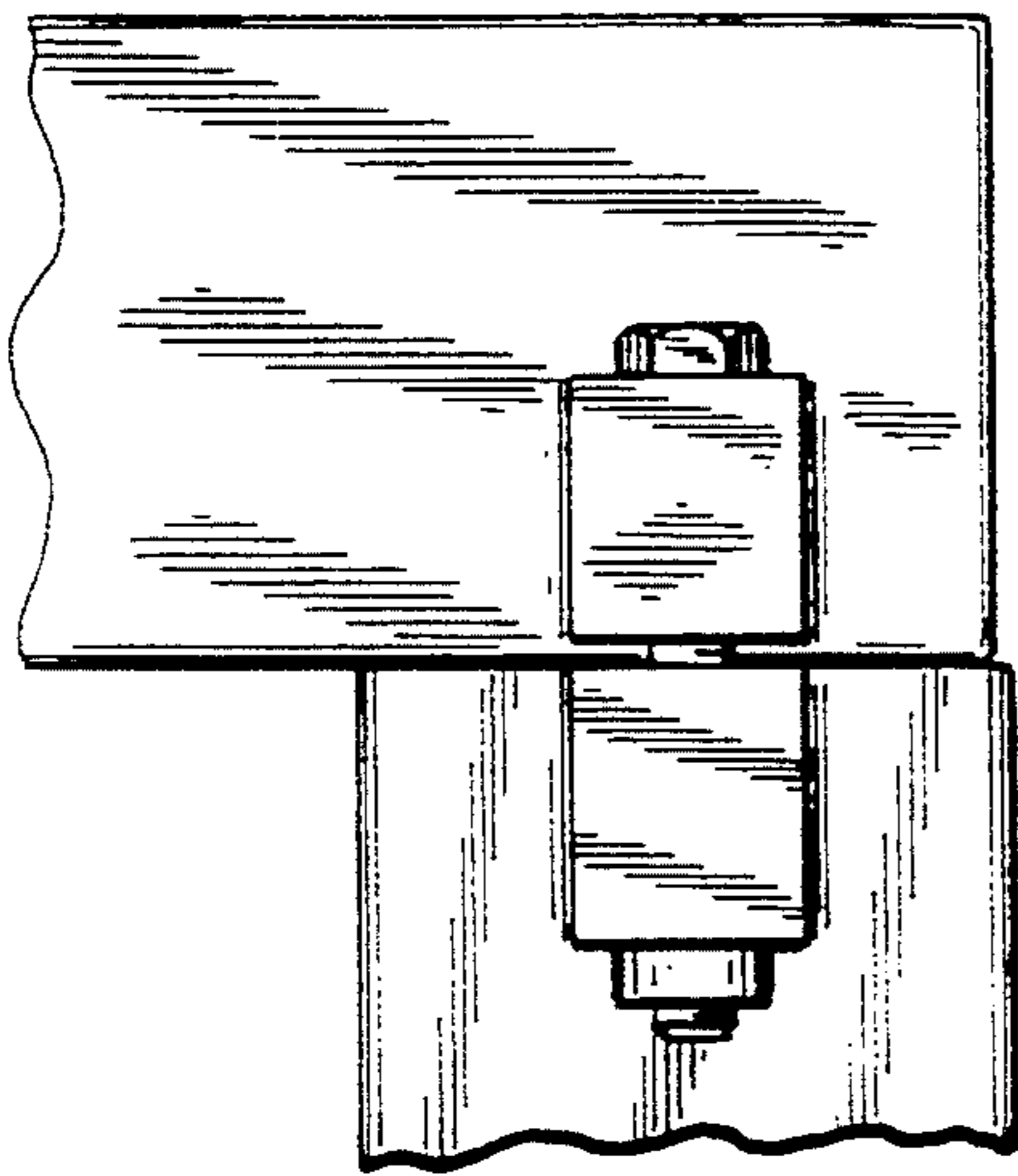


FIG. 7

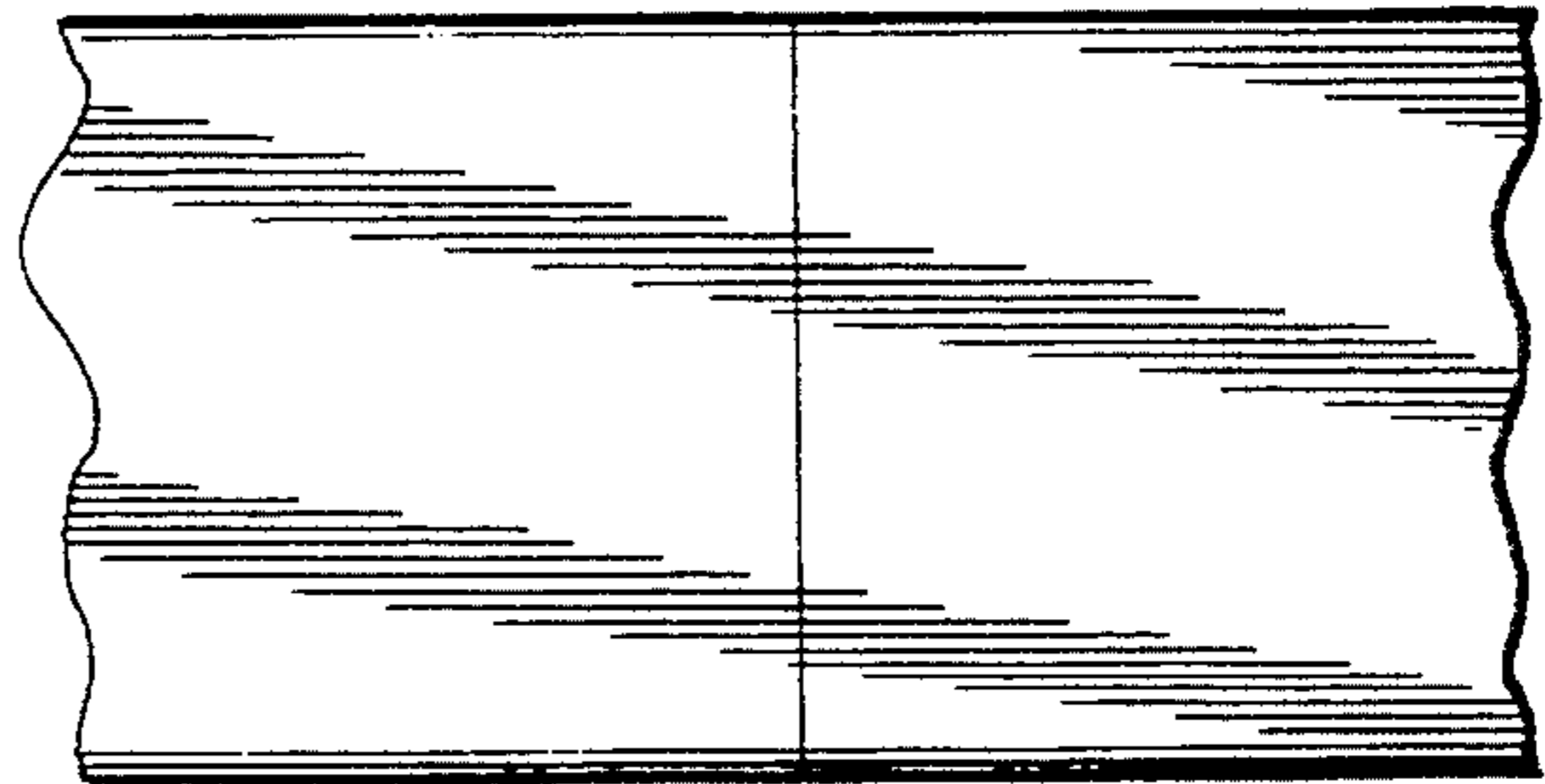


FIG. 8

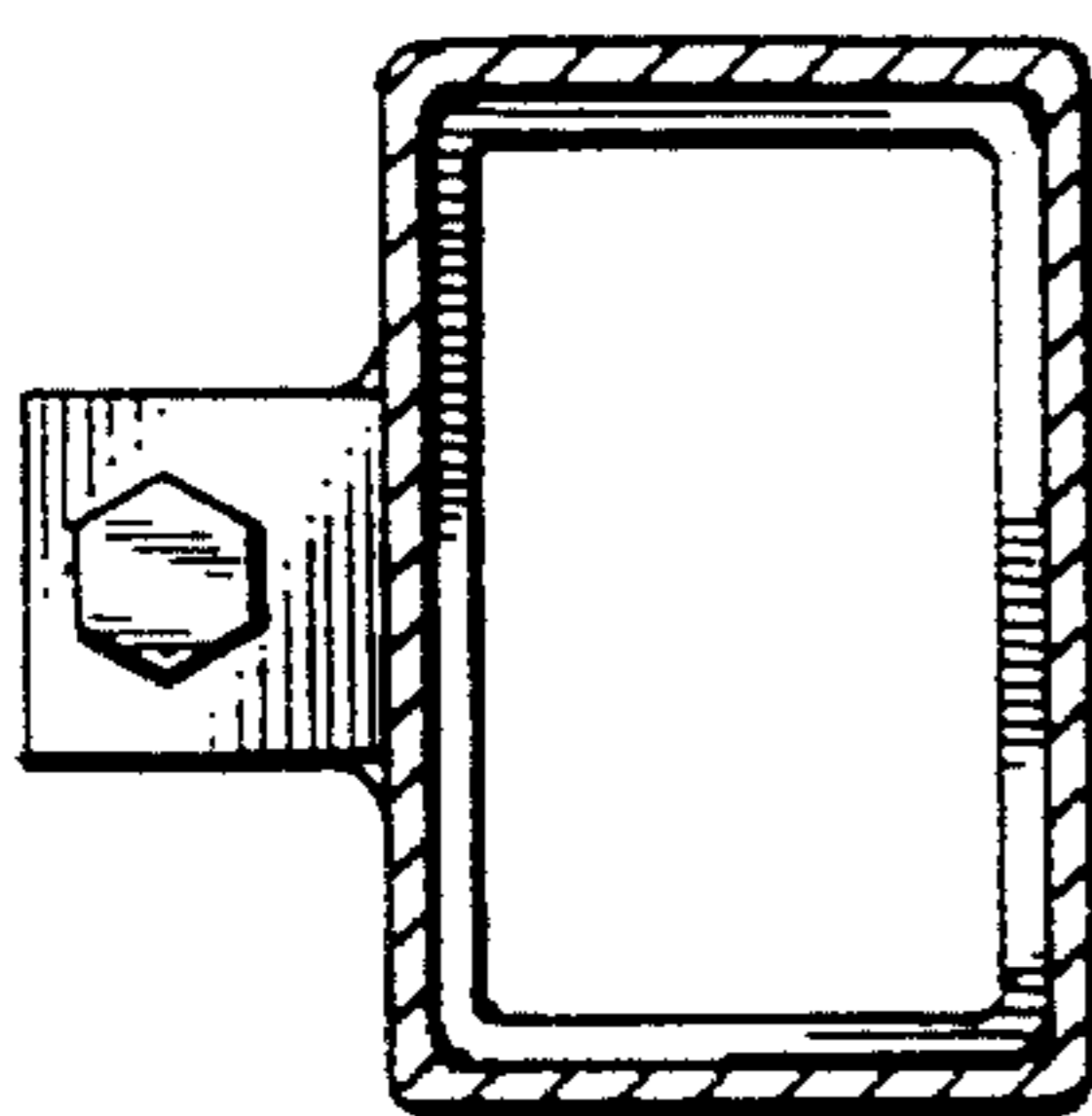


FIG. 9

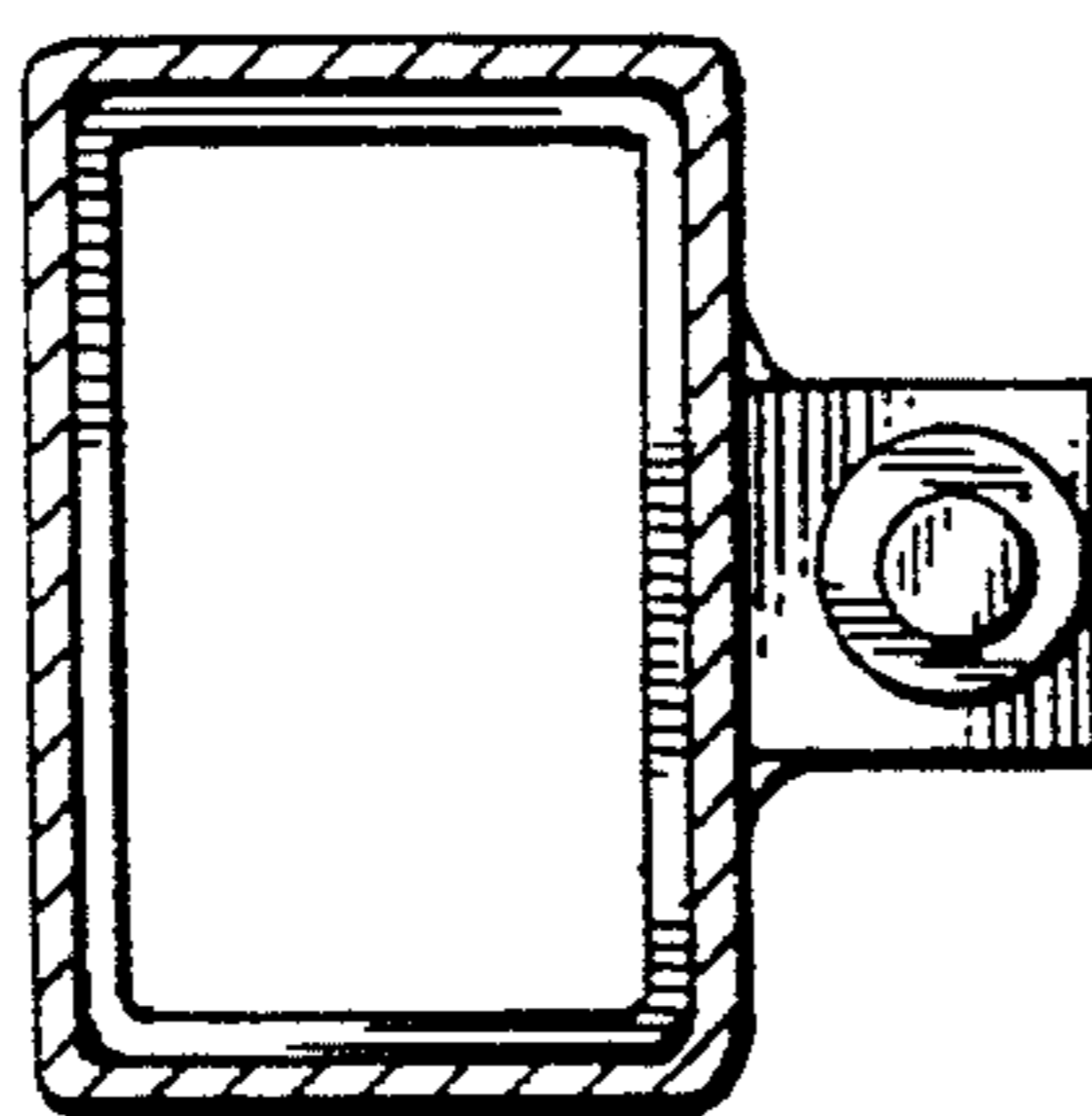


FIG. 10

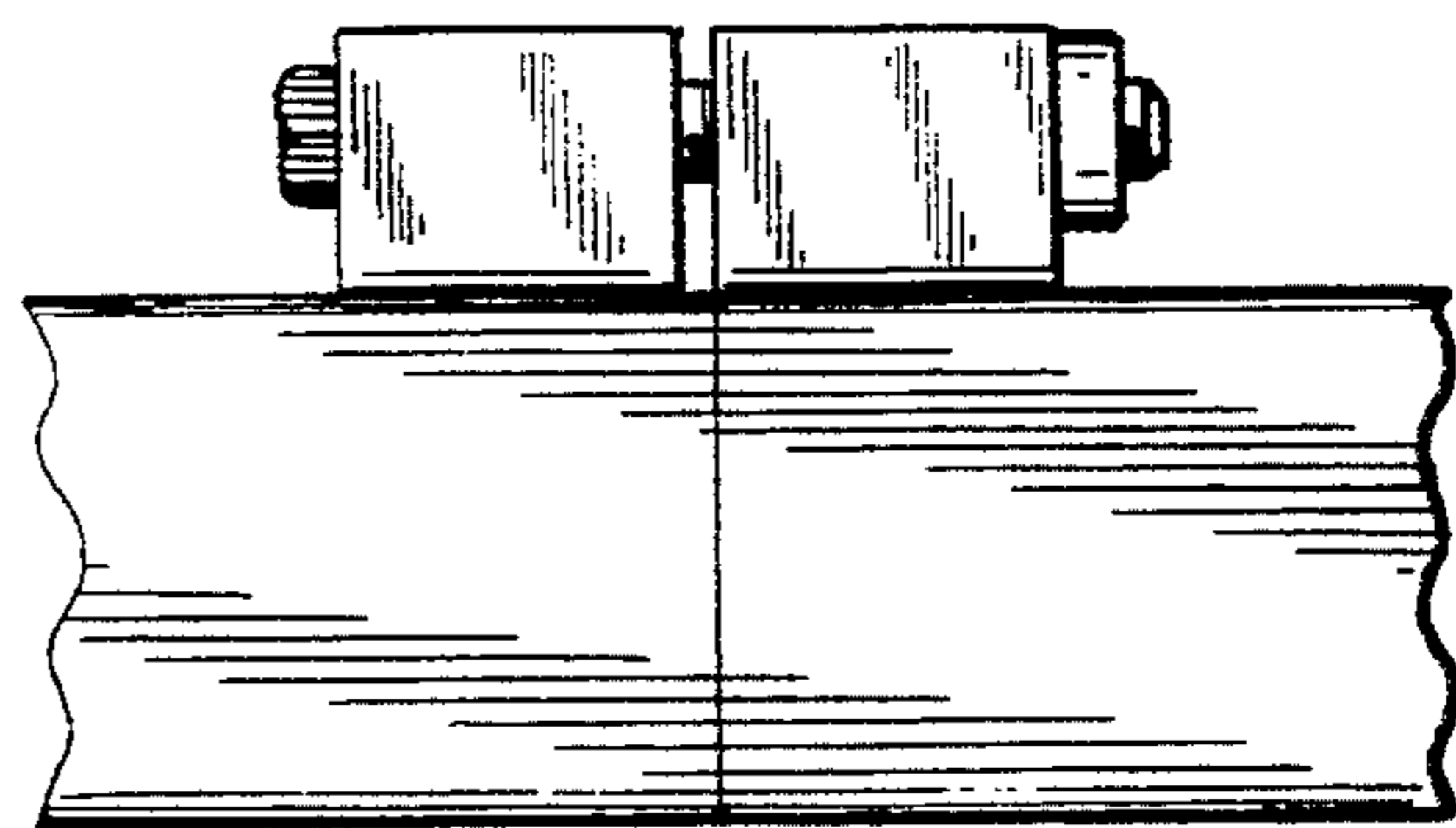


FIG. 11

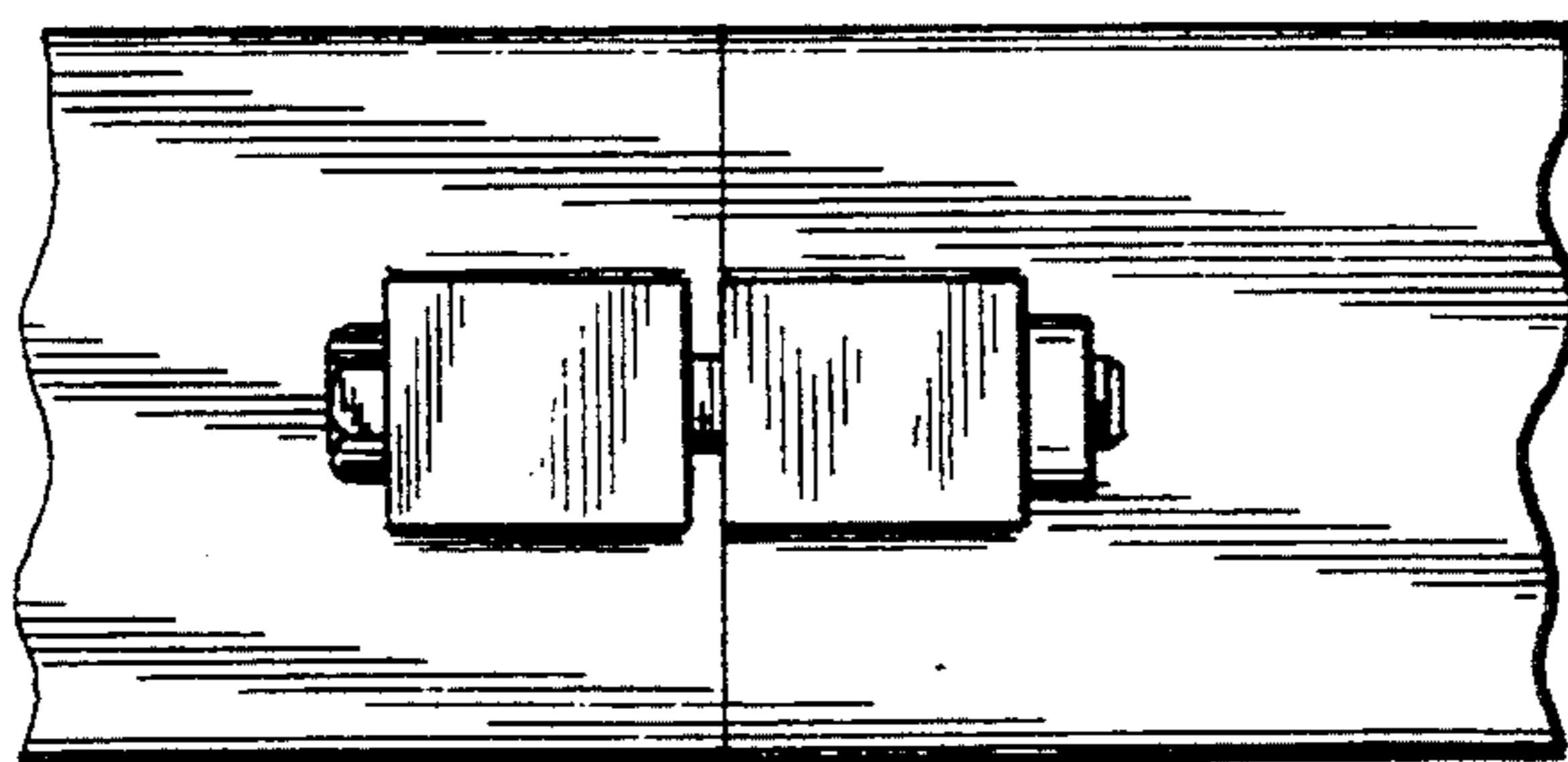


FIG. 12