



US00D361348S

United States Patent [19]

[11] Patent Number: Des. 361,348

Mueller et al.

[45] Date of Patent: ** Aug. 15, 1995

- [54] MODULARIZED VISUAL TRAINING AID FOR CLASSROOM INSTRUCTION
- [75] Inventors: Eric J. Mueller; Phillip C. Dretzka, both of Minneapolis; Nancy A. Clark, Waseca, all of Minn.
- [73] Assignee: Wenger Corporation, Owatonna, Minn.
- [**] Term: 14 Years
- [21] Appl. No.: 27,096
- [22] Filed: Aug. 12, 1994
- [52] U.S. Cl. D19/62; D19/60
- [58] Field of Search D19/59-64; D16/241; 434/308, 309, 314; 40/606, 605

Assistant Examiner—Pamela Burgess
Attorney, Agent, or Firm—Patterson & Keough

[57] CLAIM

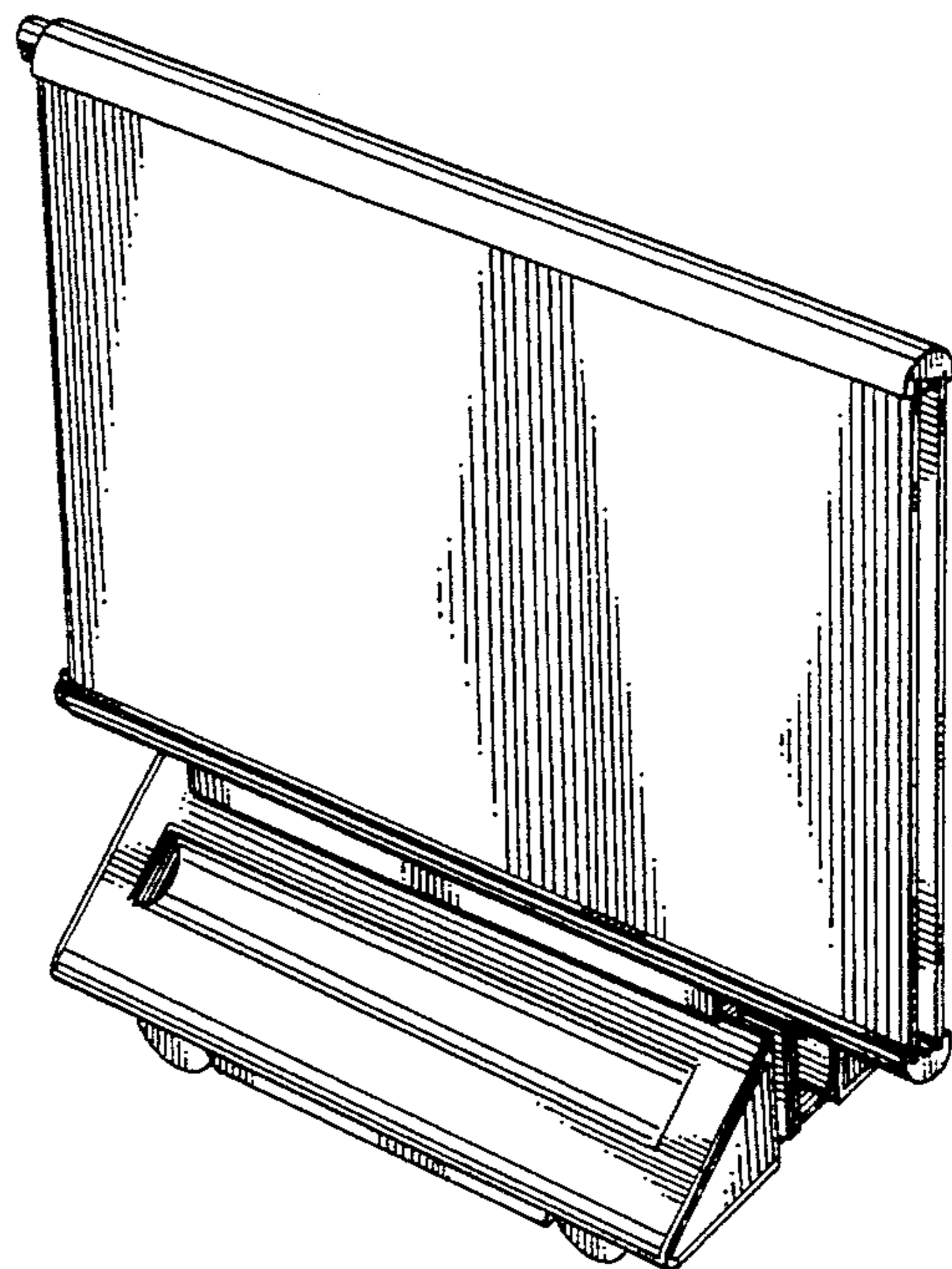
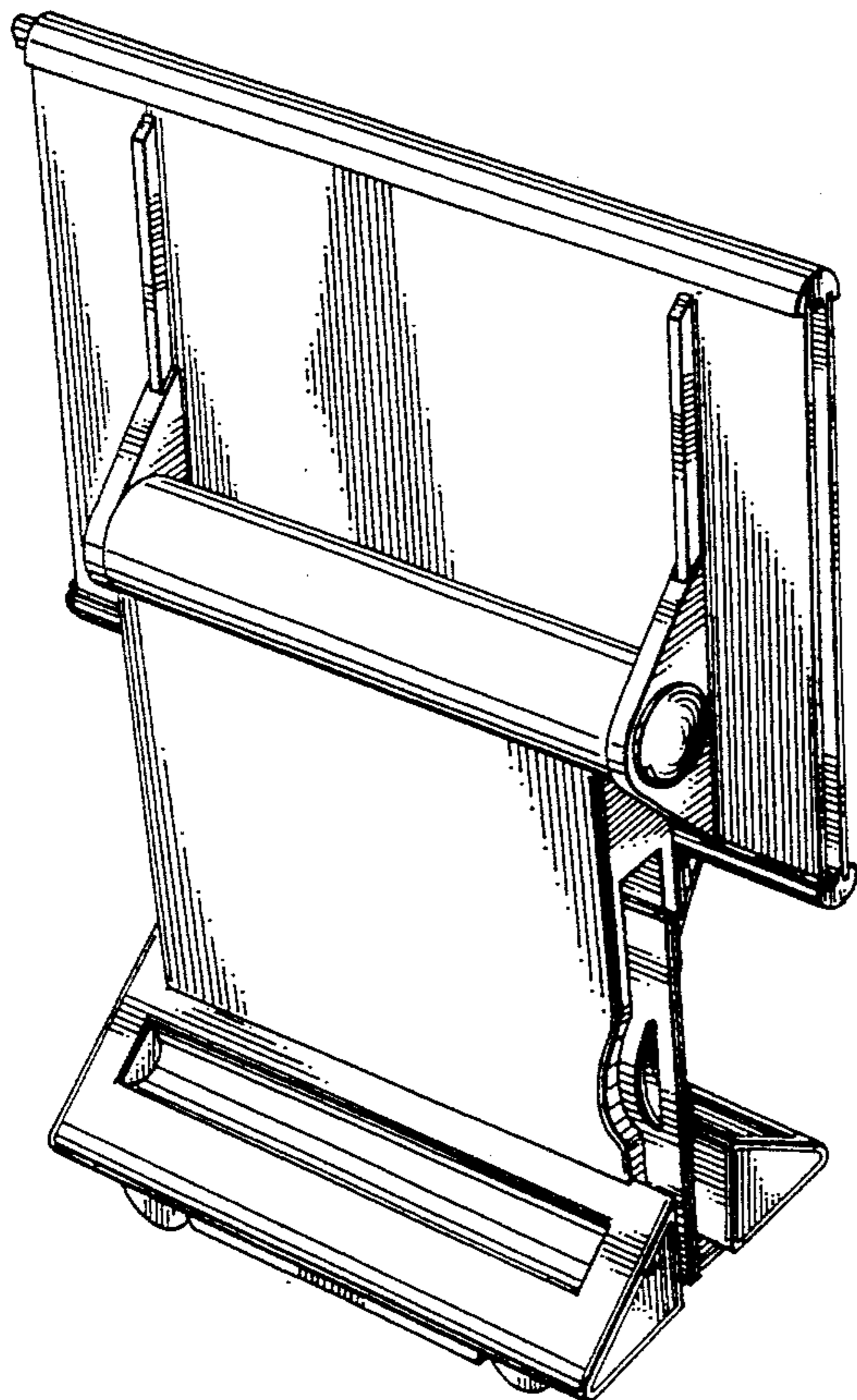
The ornamental design for a modularized visual training aid for classroom instruction, as shown and described.

DESCRIPTION

FIG. 1 is a rear perspective view of a modularized visual training aid for classroom instruction in an elevated position;
 FIG. 2 is a bottom plan view thereof;
 FIG. 3 is a right side elevational view thereof;
 FIG. 4 is a front elevational view thereof;
 FIG. 5 is a left side elevational view thereof;
 FIG. 6 is a rear elevational view thereof;
 FIG. 7 is a top plan view thereof;
 FIG. 8 is a front perspective view thereof, in an alternate, lowered position;
 FIG. 9 is a bottom plan view thereof;
 FIG. 10 is a left side elevational view thereof;
 FIG. 11 is a rear elevational view thereof;
 FIG. 12 is a right side elevational view thereof;
 FIG. 13 is a front elevational view thereof; and,
 FIG. 14 is a top plan view thereof.

- [56] References Cited
- U.S. PATENT DOCUMENTS
- D. 219,408 12/1970 Frish D16/241
- D. 252,758 8/1979 Prall D19/62
- D. 284,875 7/1986 Howard D16/241 X
- D. 323,338 1/1992 Count D16/241

Primary Examiner—A. Hugo Word



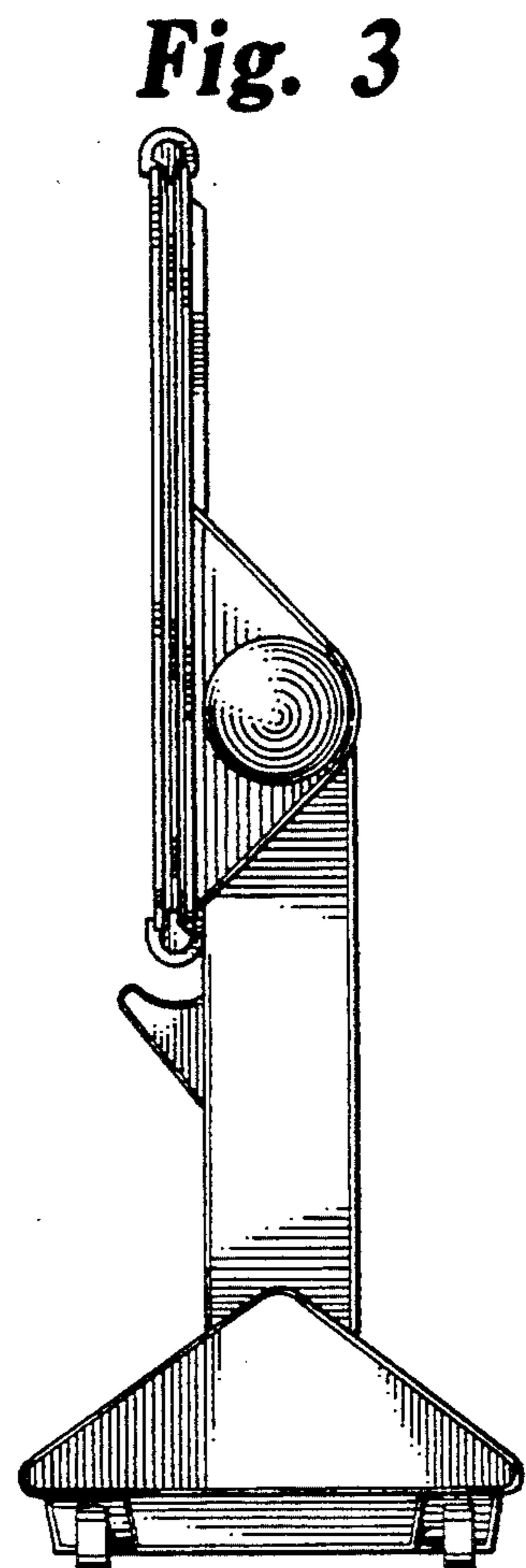
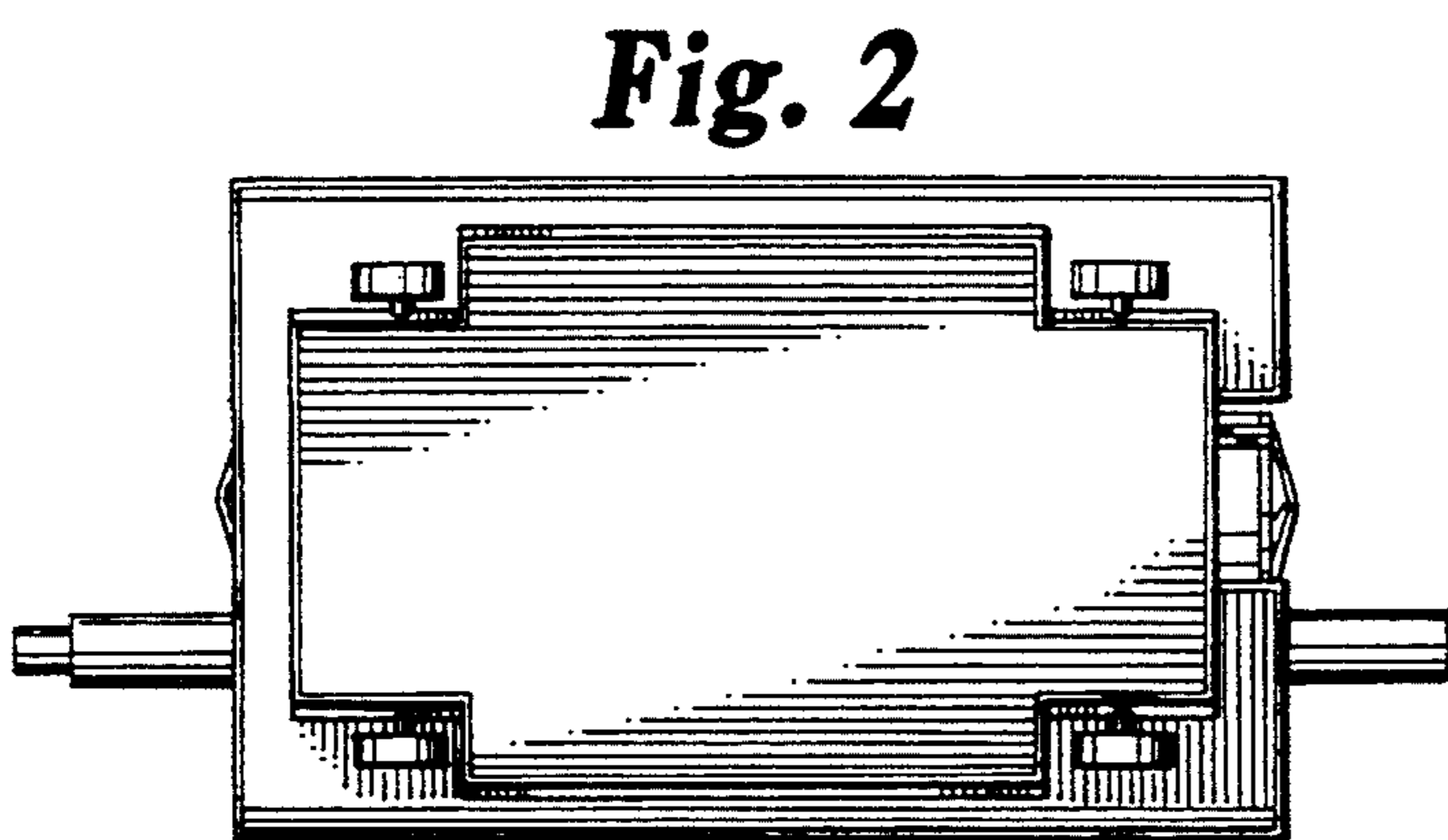
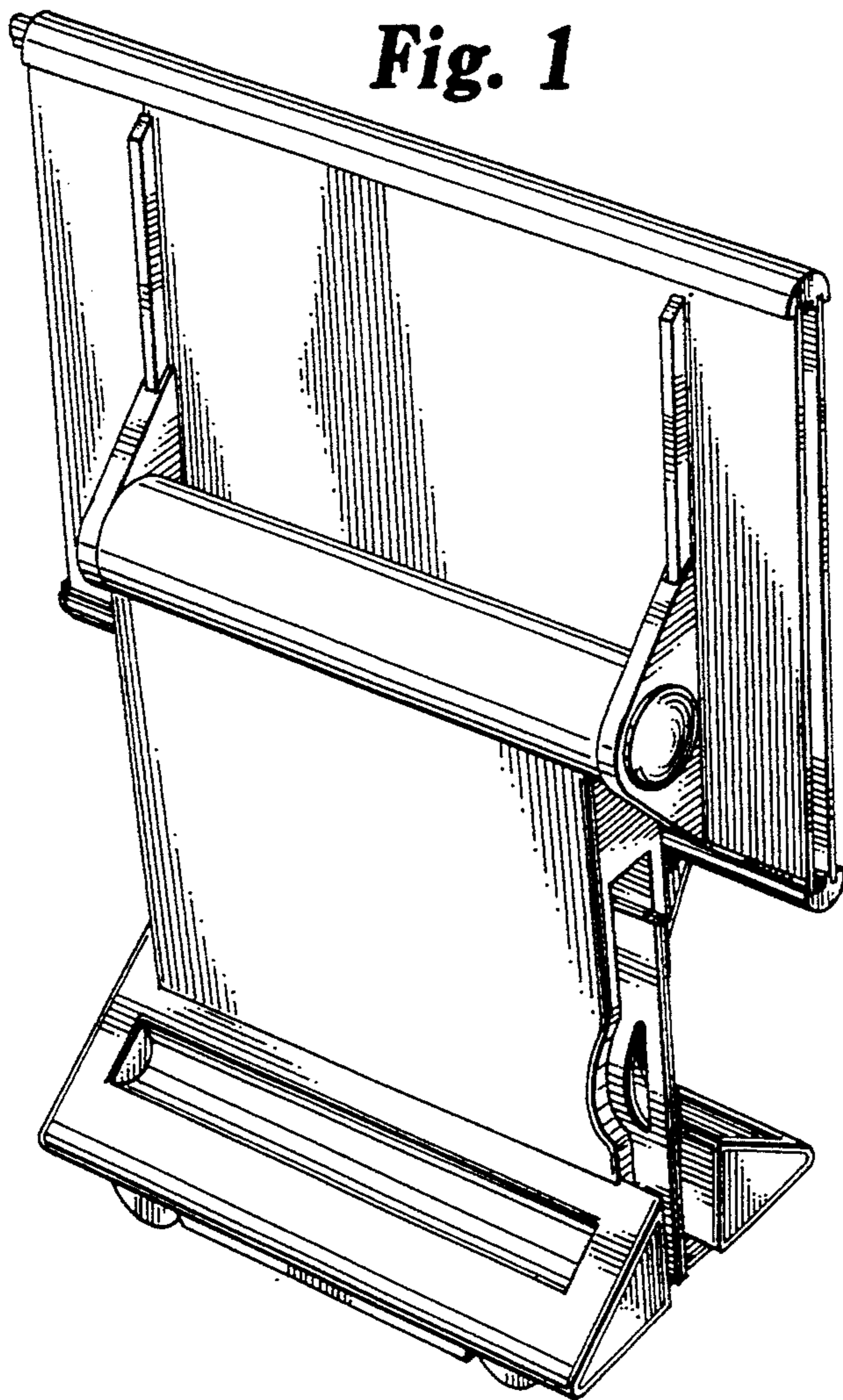


Fig. 4

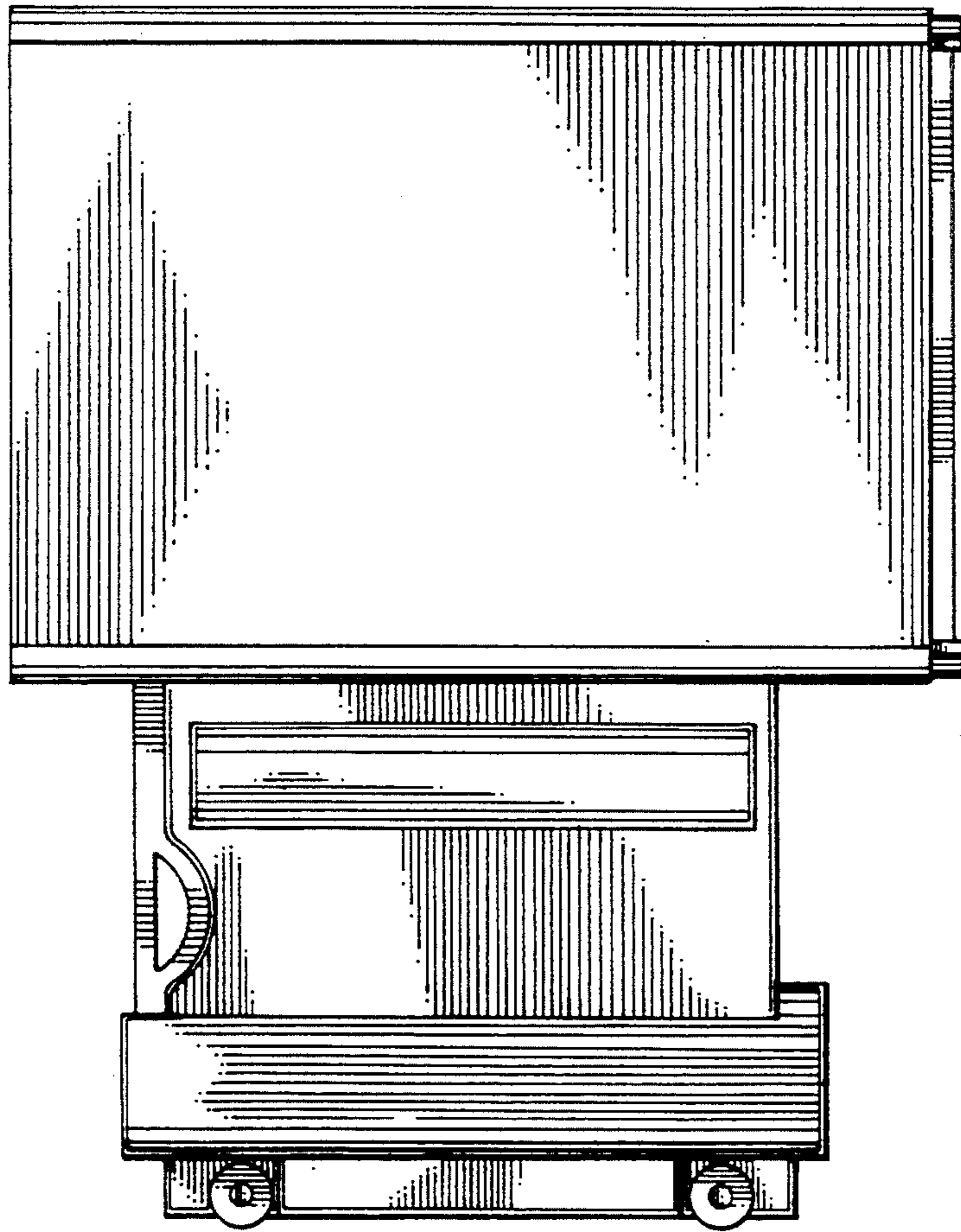


Fig. 5

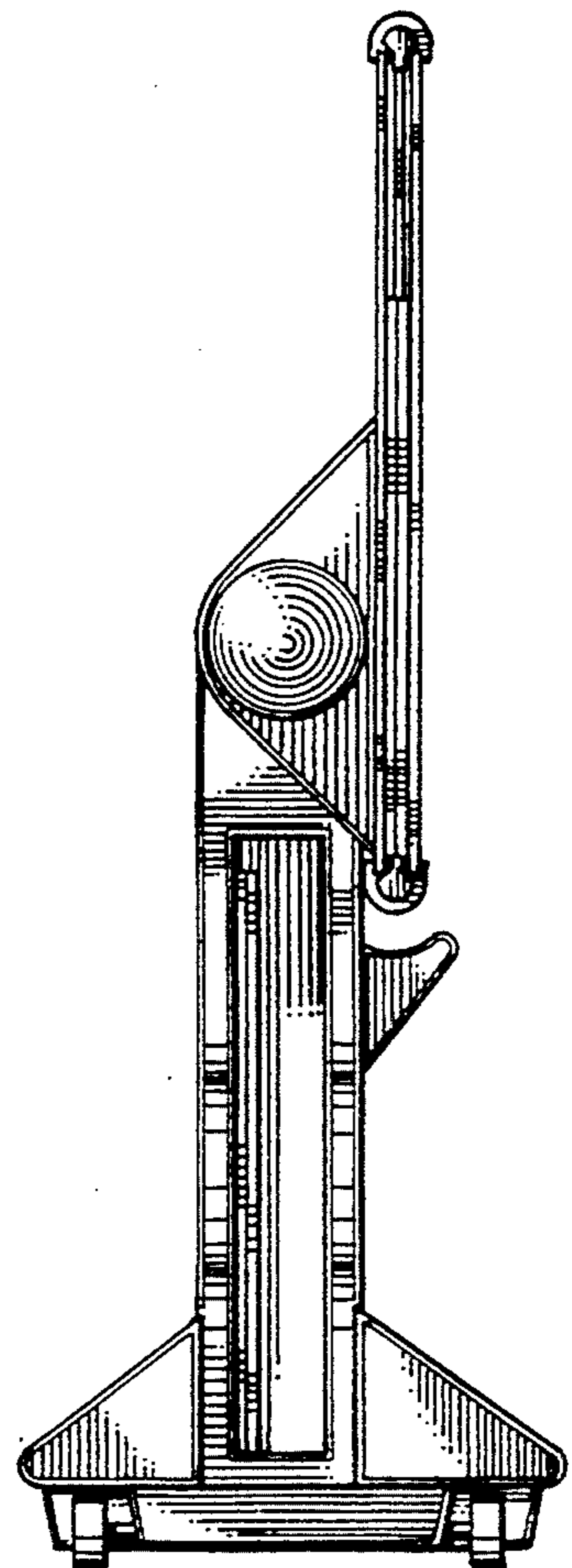


Fig. 6

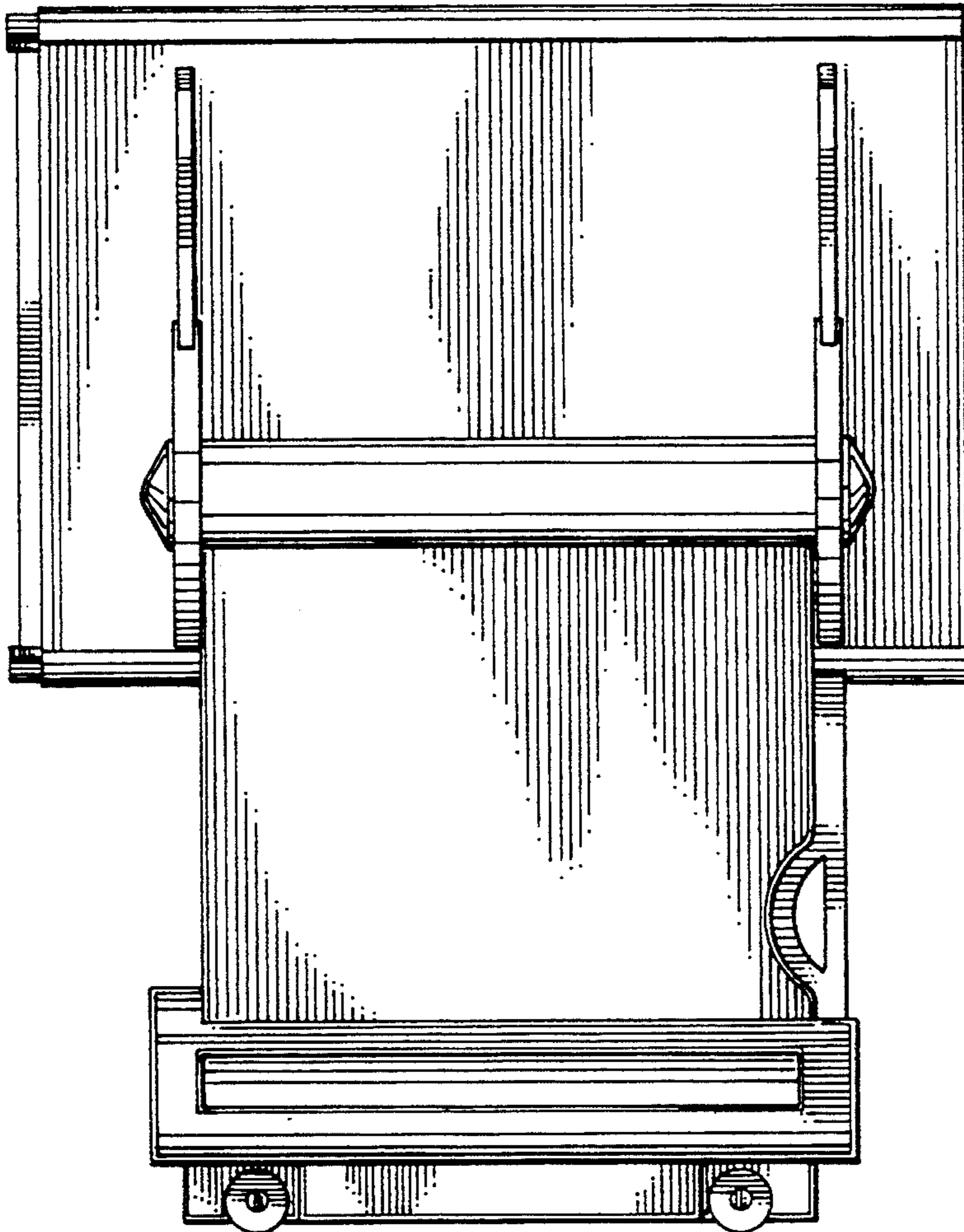
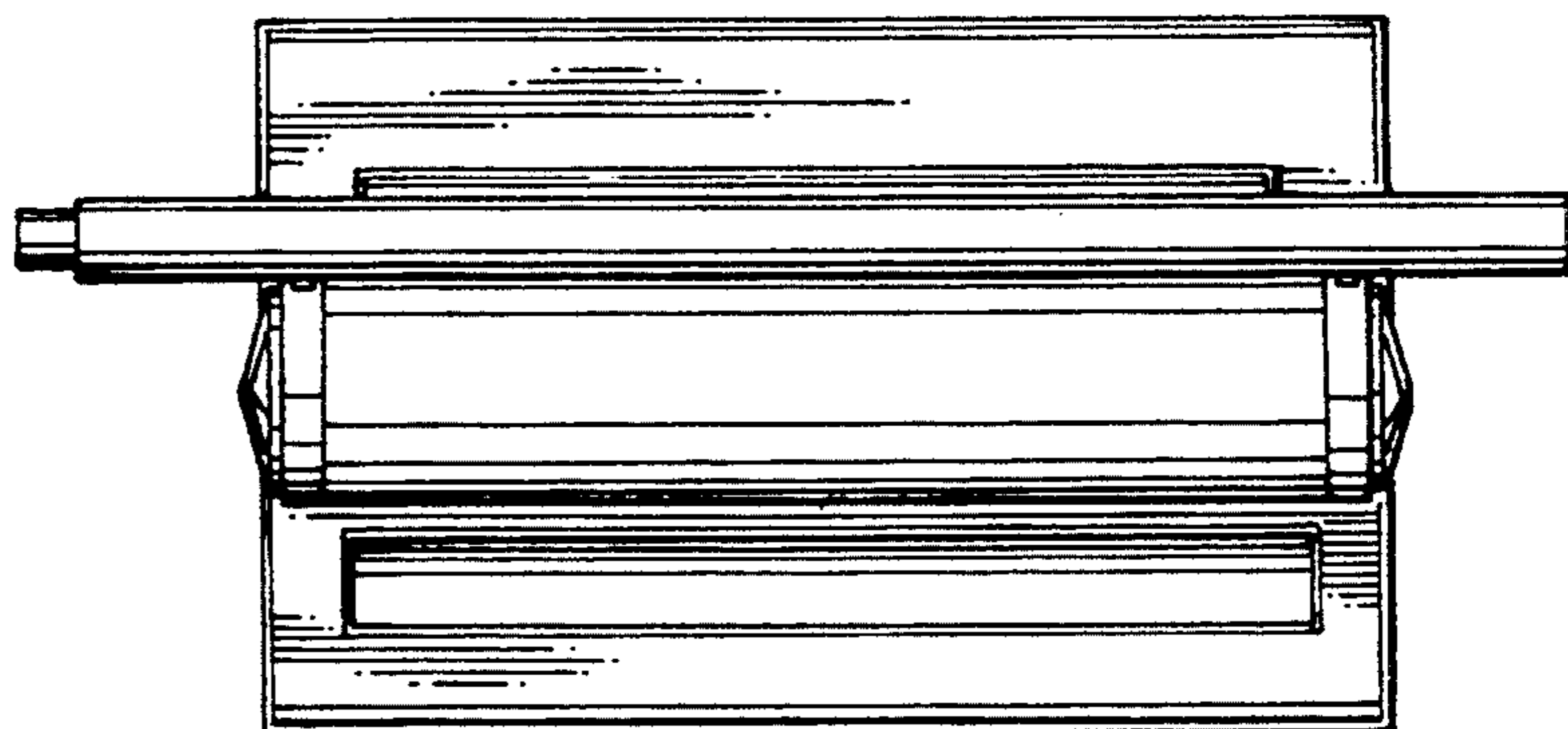


Fig. 7



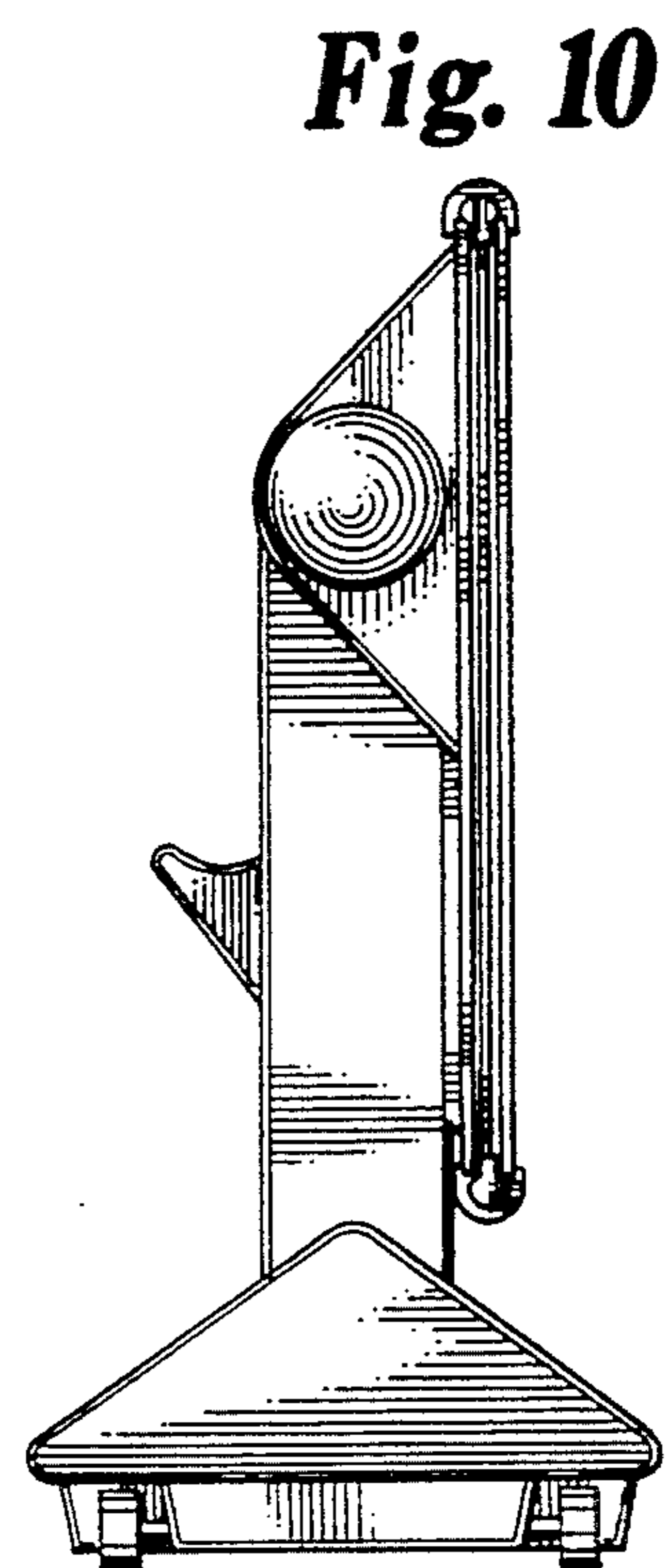
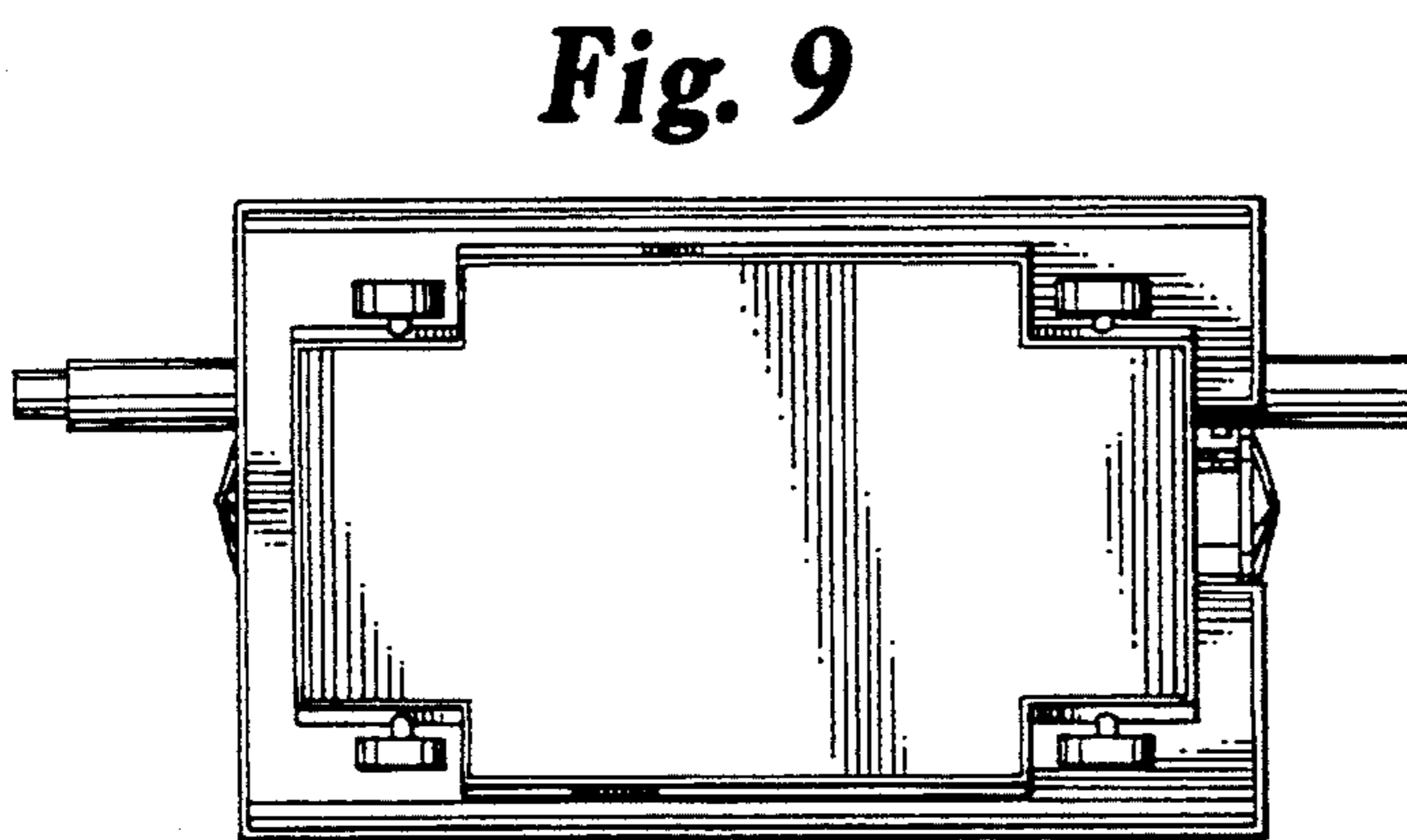
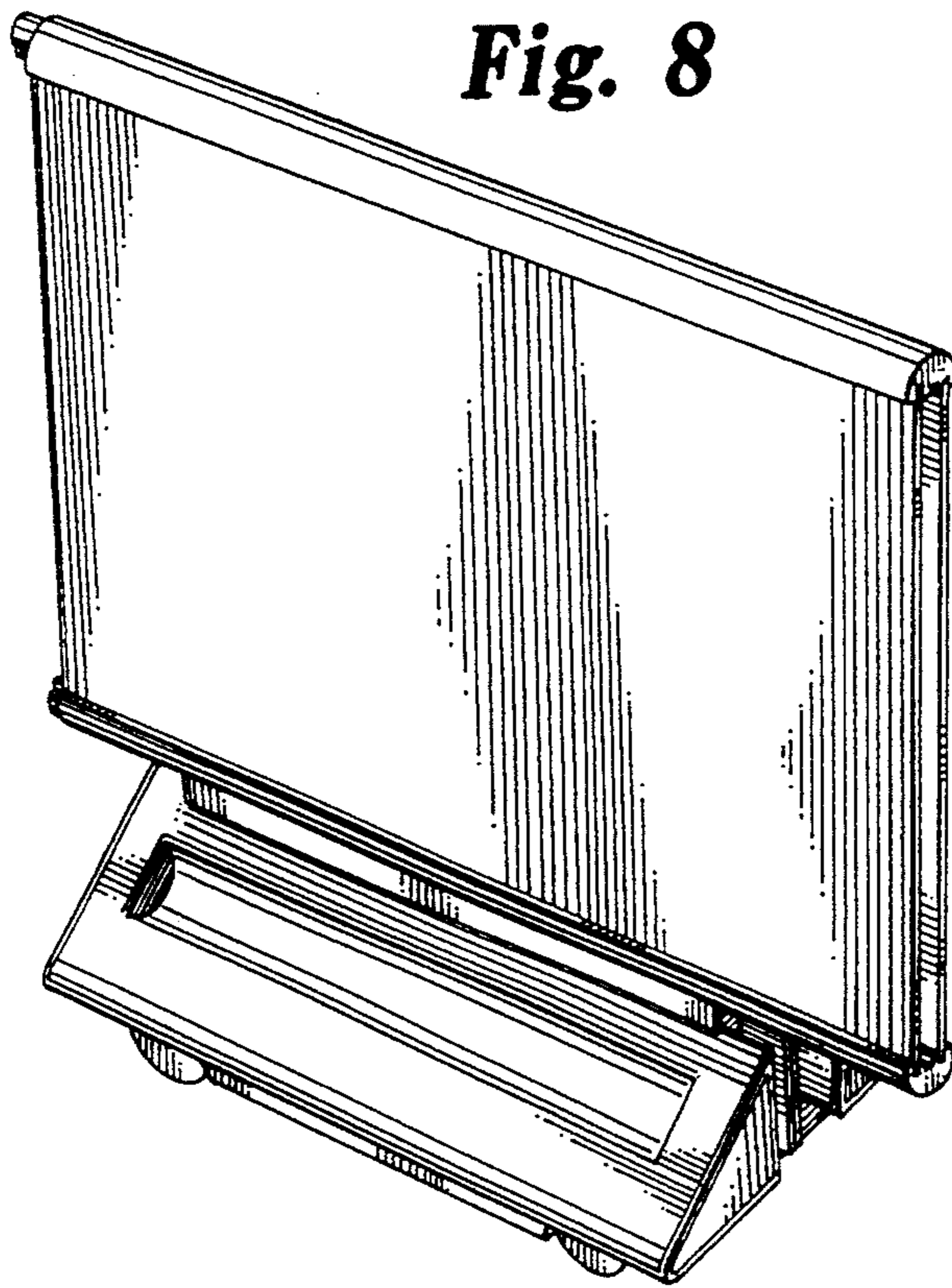


Fig. 11

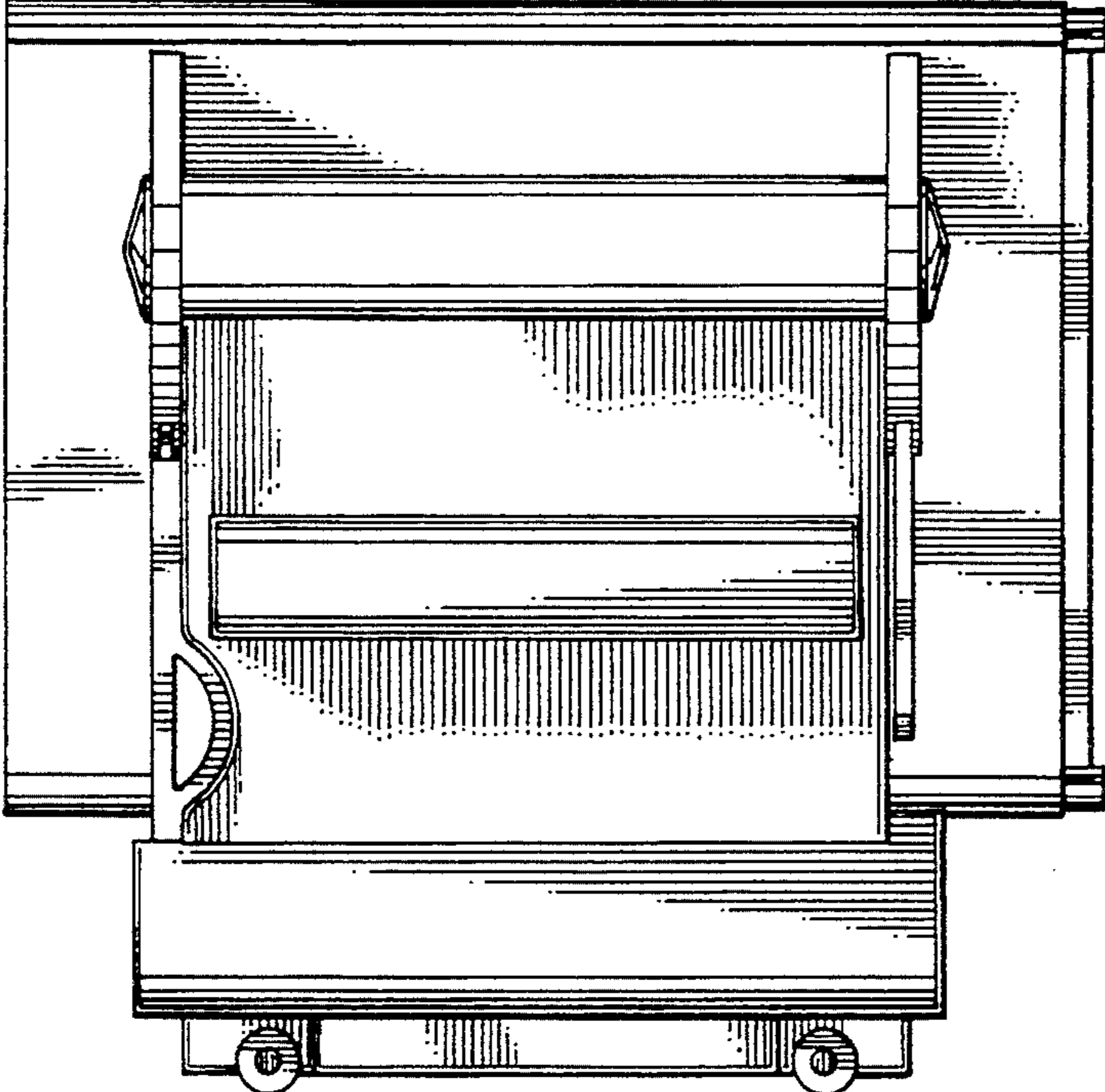


Fig. 12

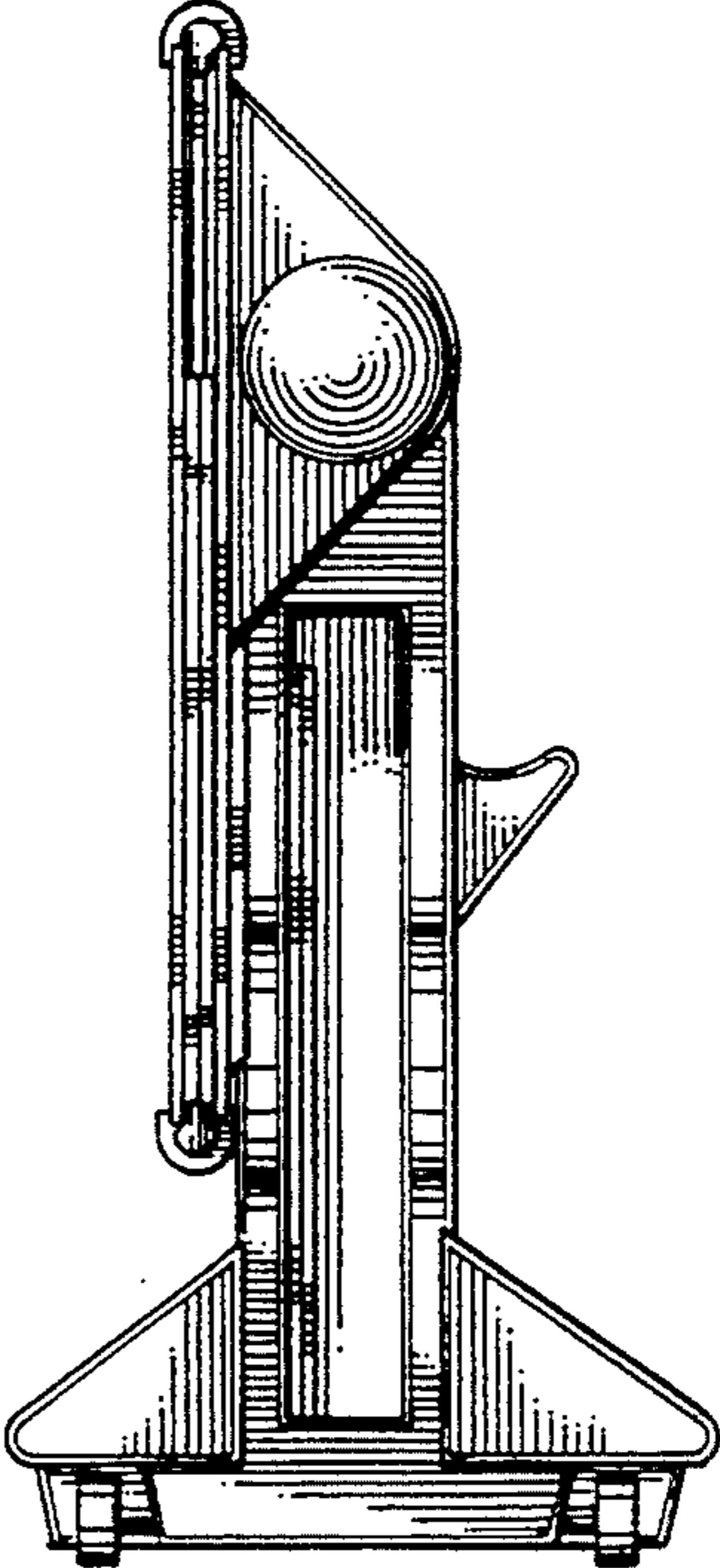


Fig. 13

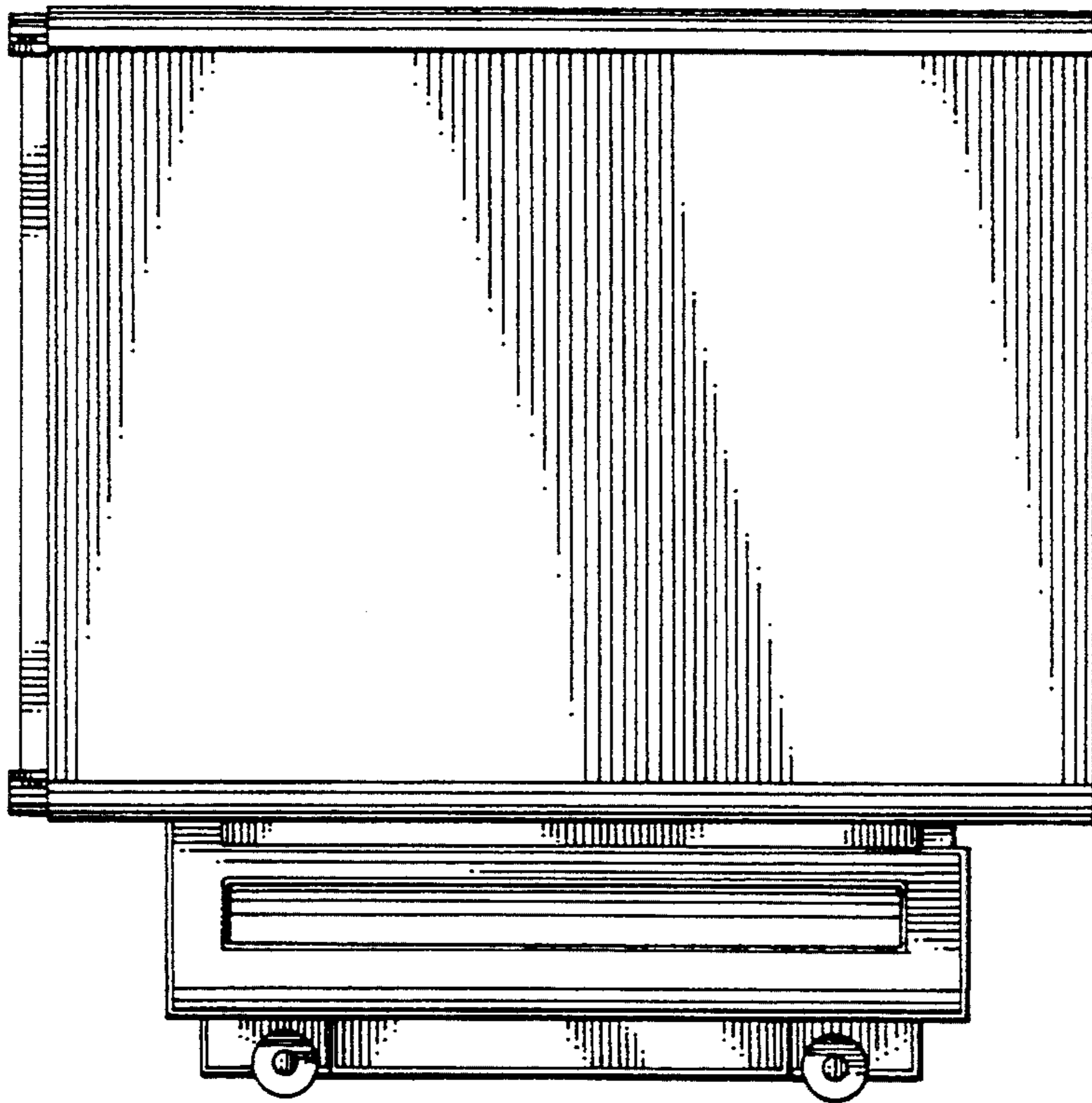


Fig. 14

