



US00D361343S

United States Patent [19]

[11] Patent Number: **Des. 361,343**

Kaplinsky et al.

[45] Date of Patent: **** Aug. 15, 1995**

[54] **COMPACT INK-JET PRINT CARTRIDGE**

[75] Inventors: **George Kaplinsky; Timothy J. Carlin,**
both of San Diego; **David W. Swanson,** Escondido; **Mindy A. Hamlin,** San Diego, all of Calif.

[73] Assignee: **Hewlett-Packard Company,** Palo Alto, Calif.

[**] Term: **14 Years**

[21] Appl. No.: **27,339**

[22] Filed: **Aug. 19, 1994**

5,280,300 1/1994 Fong et al. 347/87
5,317,339 5/1994 Braun et al. 347/87
5,359,353 10/1994 Hunt et al. 347/86

FOREIGN PATENT DOCUMENTS

560266 9/1993 European Pat. Off. 347/87
603473 6/1994 European Pat. Off. 347/86
603515 6/1994 European Pat. Off. 347/86
604118 6/1994 European Pat. Off. 347/86
604119 6/1994 European Pat. Off. 347/86
604127 6/1994 European Pat. Off. 347/86
59-87162 5/1984 Japan 347/88

Primary Examiner—Cathy Anne MacCormac

Related U.S. Application Data

[62] Division of Ser. No. 7,763, Apr. 30, 1993, Pat. No. Des. 353,156.

[52] U.S. Cl. **D18/56; 347/87**

[58] Field of Search 347/86, 87; D18/56, D18/12

[57] **CLAIM**

The ornamental design for a compact ink-jet print cartridge, as shown and described.

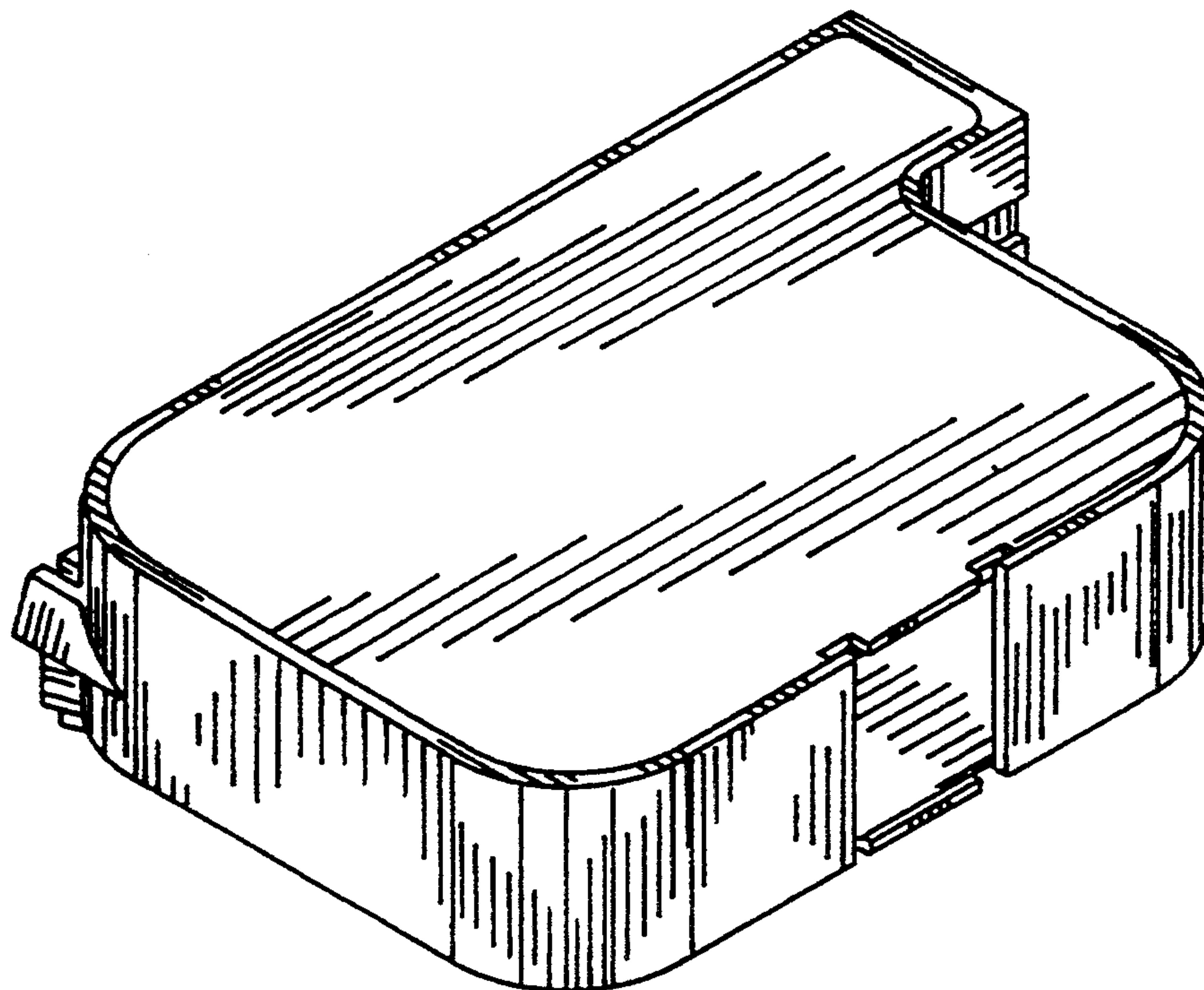
DESCRIPTION

FIG. 1 is a perspective view of a compact ink-jet print cartridge showing our new design; FIG. 2 is a right side elevational view thereof; FIG. 3 is a rear elevational view thereof; FIG. 4 is a bottom elevational view thereof; FIG. 5 is a left side elevational view thereof; FIG. 6 is a front elevational view thereof; and, FIG. 7 is a top plan view thereof.

[56] **References Cited**

U.S. PATENT DOCUMENTS

D. 338,235 8/1993 Komada et al. D18/56
D. 347,241 5/1994 Watanabe et al. D18/56
5,278,584 1/1994 Keefe et al. 347/87



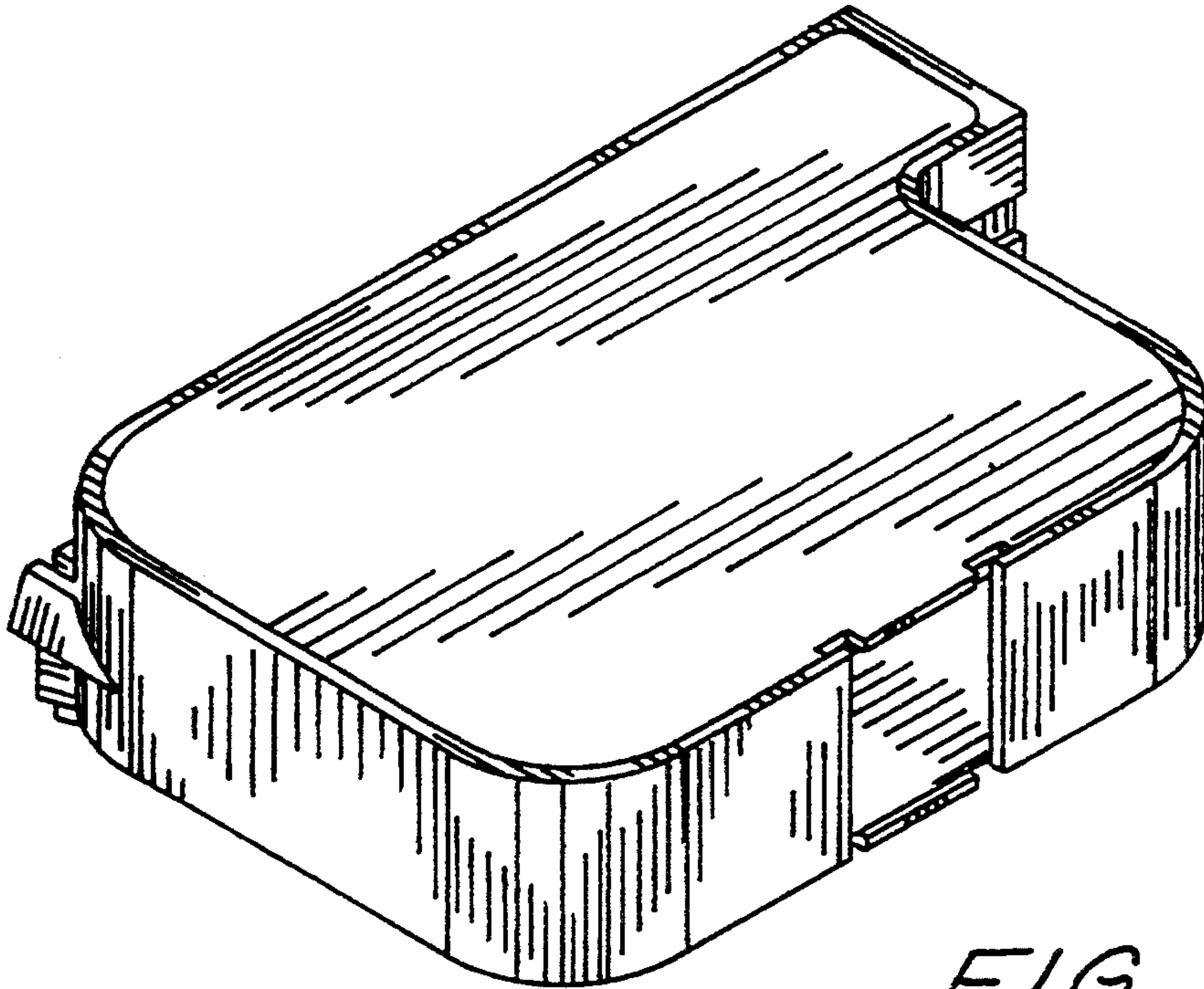


FIG. 1

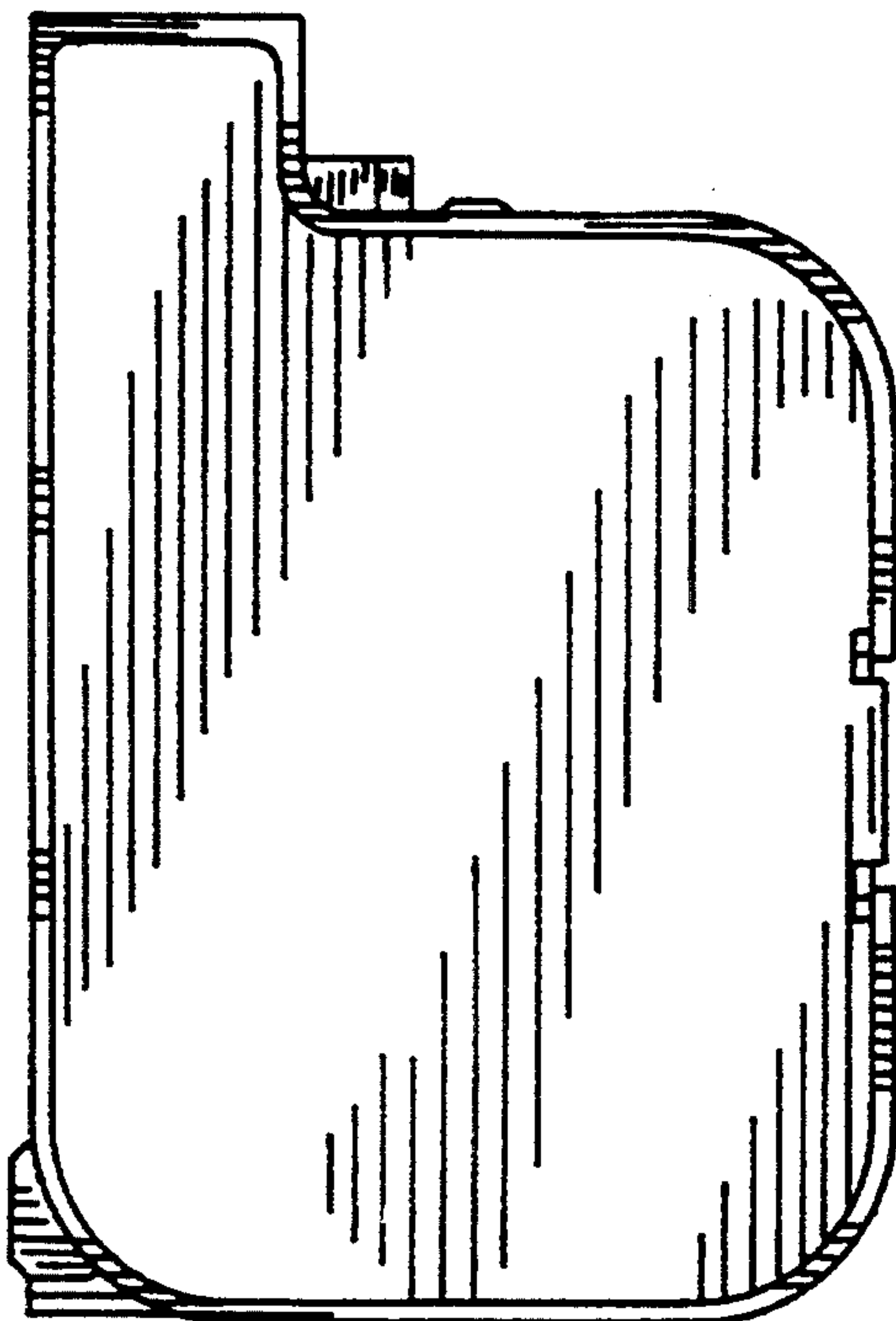


FIG. 2

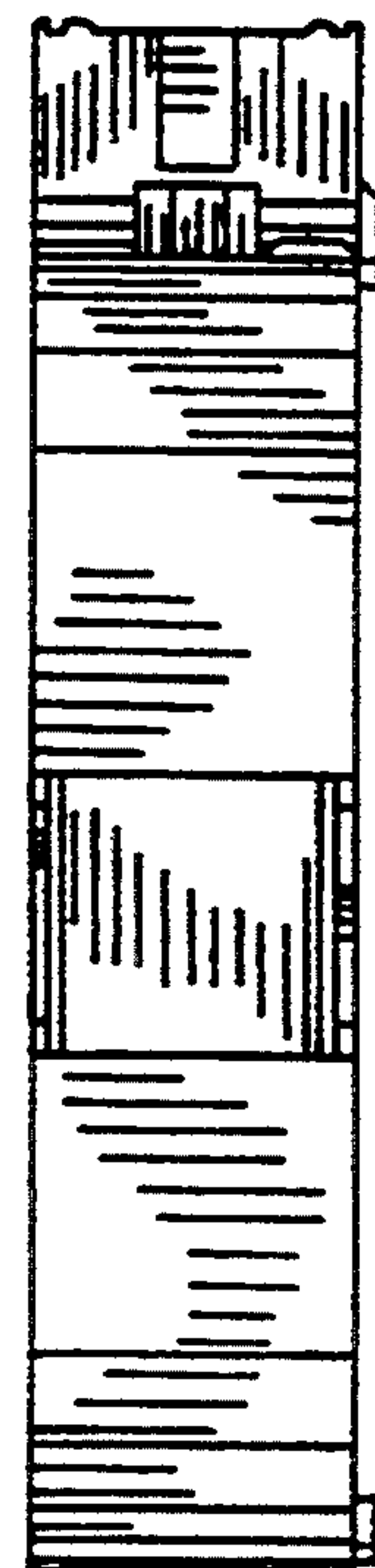


FIG. 3

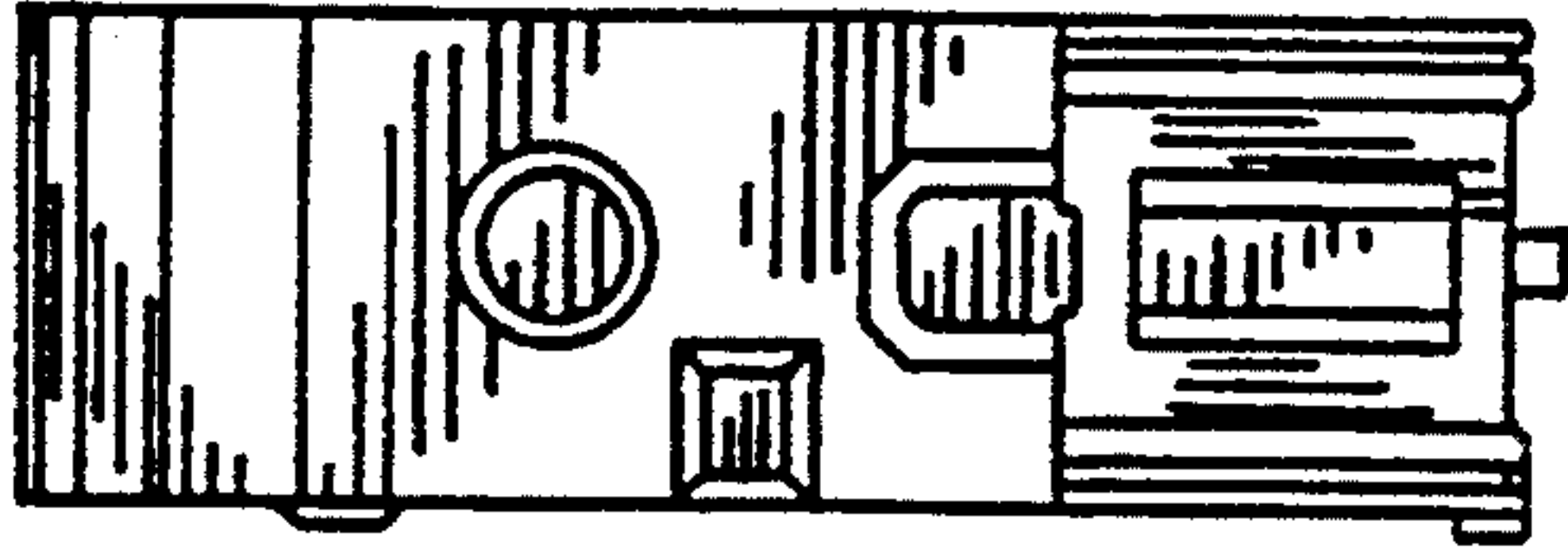


FIG. 4

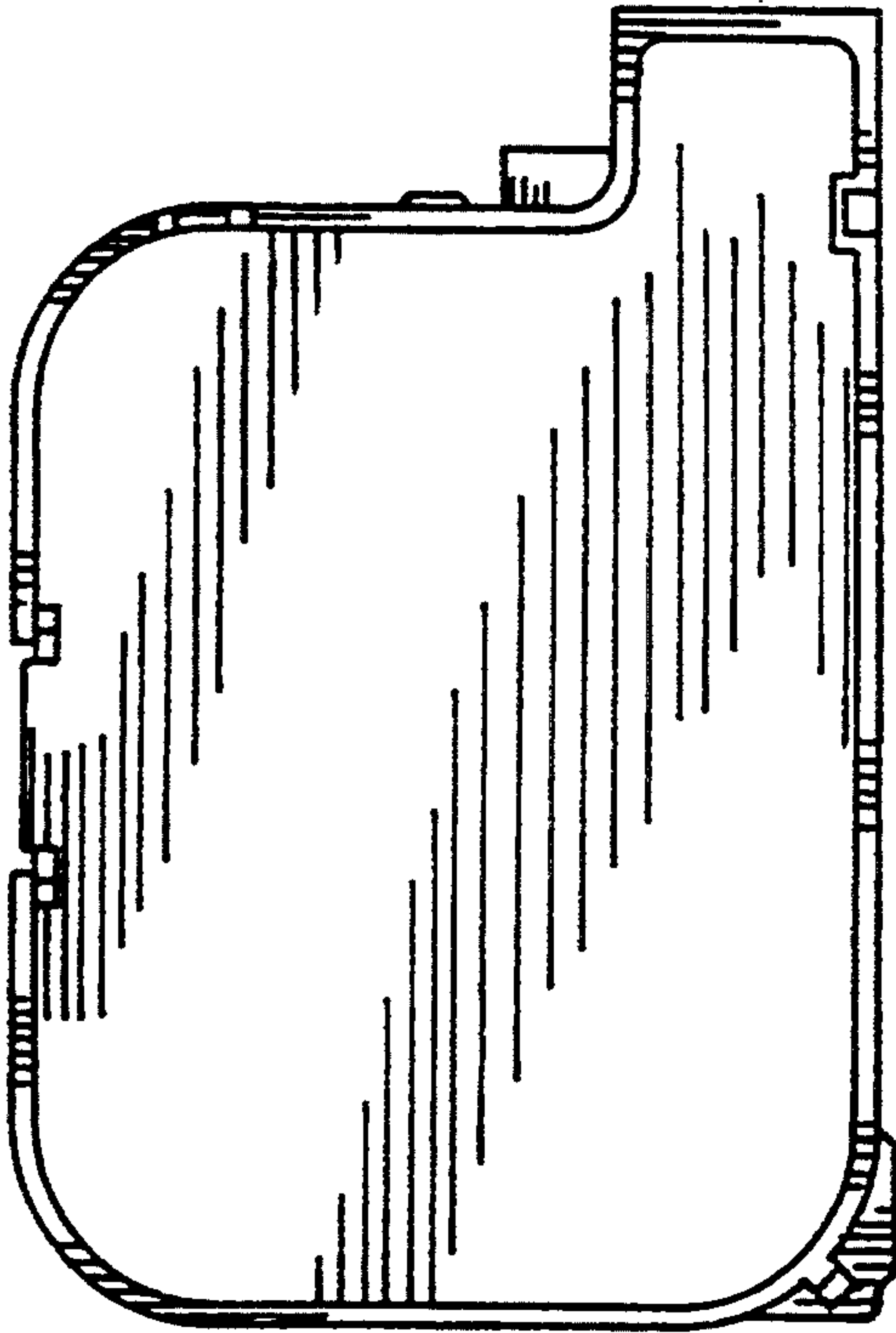


FIG. 5

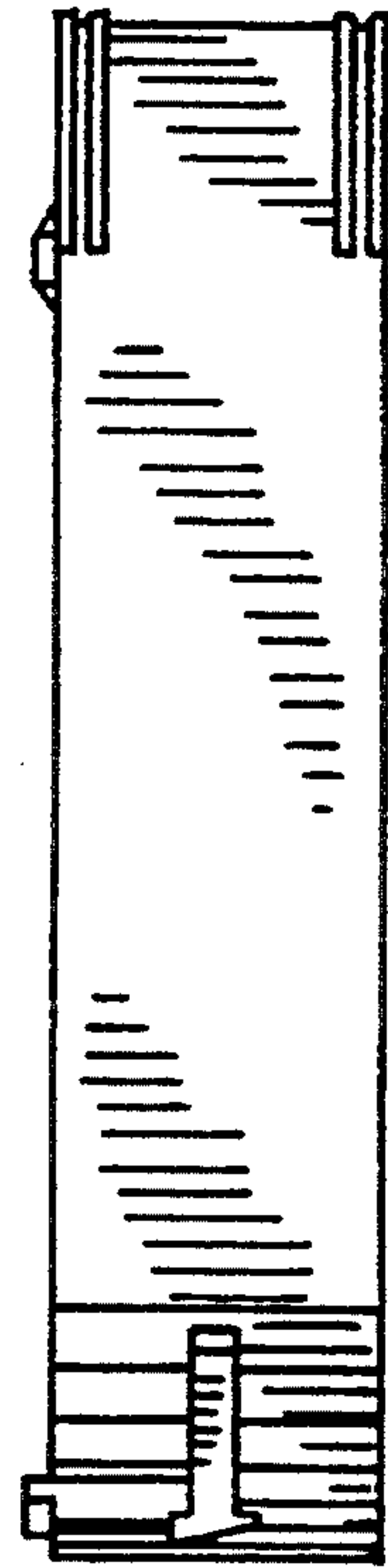


FIG. 6

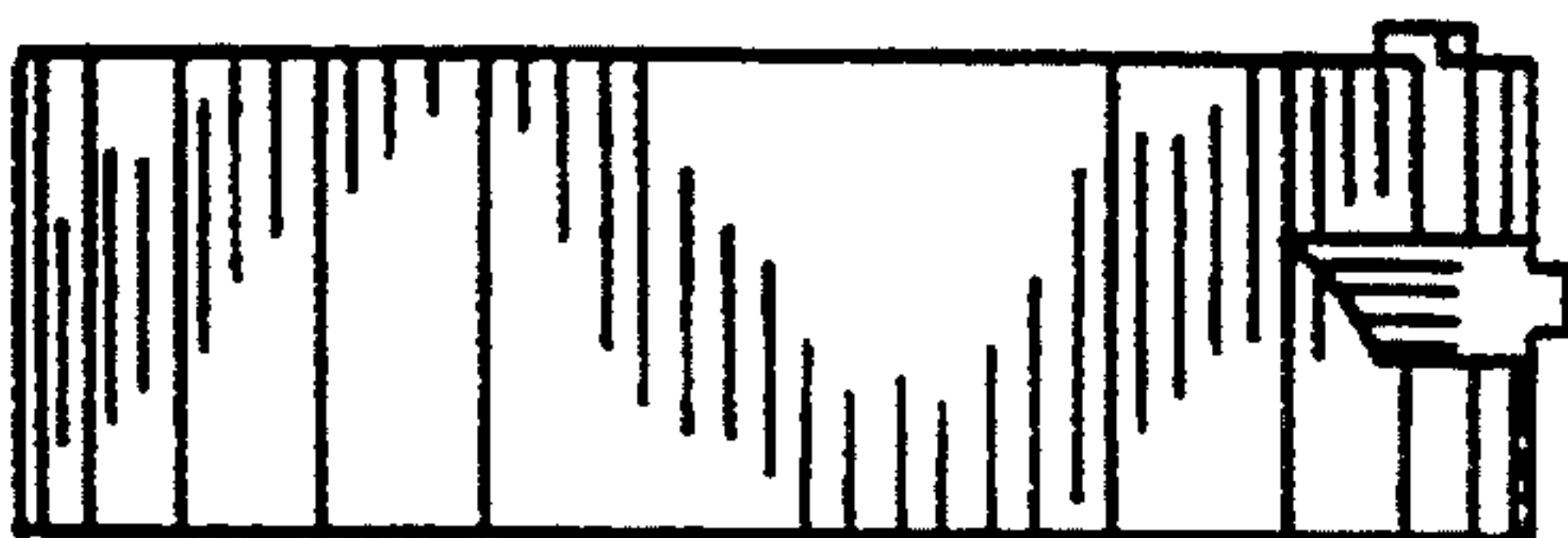


FIG. 7