



US00D361341S

# United States Patent [19]

Komaki et al.

[11] Patent Number: **Des. 361,341**

[45] Date of Patent: **\*\* Aug. 15, 1995**

[54] **DEVELOPER-SUPPLYING UNIT FOR AN IMAGE FORMING APPARATUS**

[75] Inventors: **Susumu Komaki, Kobe; Masami Taniguchi, Osaka; Syuji Fujisawa, Kadoma, all of Japan**

[73] Assignee: **Mita Industrial Co., Ltd., Osaka, Japan**

[\*\*] Term: **14 Years**

[21] Appl. No.: **14,610**

[22] Filed: **Oct. 28, 1993**

### Related U.S. Application Data

[63] Continuation-in-part of Ser. No. 6,297, Mar. 25, 1993, abandoned.

### [30] Foreign Application Priority Data

Jan. 8, 1993 [JP] Japan ..... 5-293

Jun. 30, 1993 [JP] Japan ..... 5-20428

[52] U.S. Cl. .... **D18/43; D18/40**

[58] Field of Search ..... **D18/36, 40, 43; 222/DIG. 1; 355/206, 208, 245, 260, 298**

### [56] References Cited

#### U.S. PATENT DOCUMENTS

D. 238,658 2/1976 Stone ..... D18/43  
4,947,788 8/1990 Hill et al. .... 355/208 X  
5,329,340 7/1994 Fukuchi et al. .... 355/260 X

*Primary Examiner*—Alan P. Douglas  
*Assistant Examiner*—Caron D. Vegnar  
*Attorney, Agent, or Firm*—Spencer, Frank & Schneider

### [57] CLAIM

The ornamental design for a developer-supplying unit for an image forming apparatus, as shown.

### DESCRIPTION

FIG. 1 is a top plan view of a developer-supplying unit for an image forming apparatus;  
FIG. 2 is a front elevational view of a developer-supplying unit for an image forming apparatus;  
FIG. 3 is a bottom plan view of a developer-supplying unit for an image forming apparatus;  
FIG. 4 is a rear elevational view of a developer-supplying unit for an image forming apparatus;  
FIG. 5 is a left side elevational view of a developer-supplying unit for an image forming apparatus;  
FIG. 6 is a right side elevational view of a developer-supplying unit for an image forming apparatus; and,  
FIG. 7 is a top, front and right side perspective view of a developer-supplying unit for an image forming apparatus.

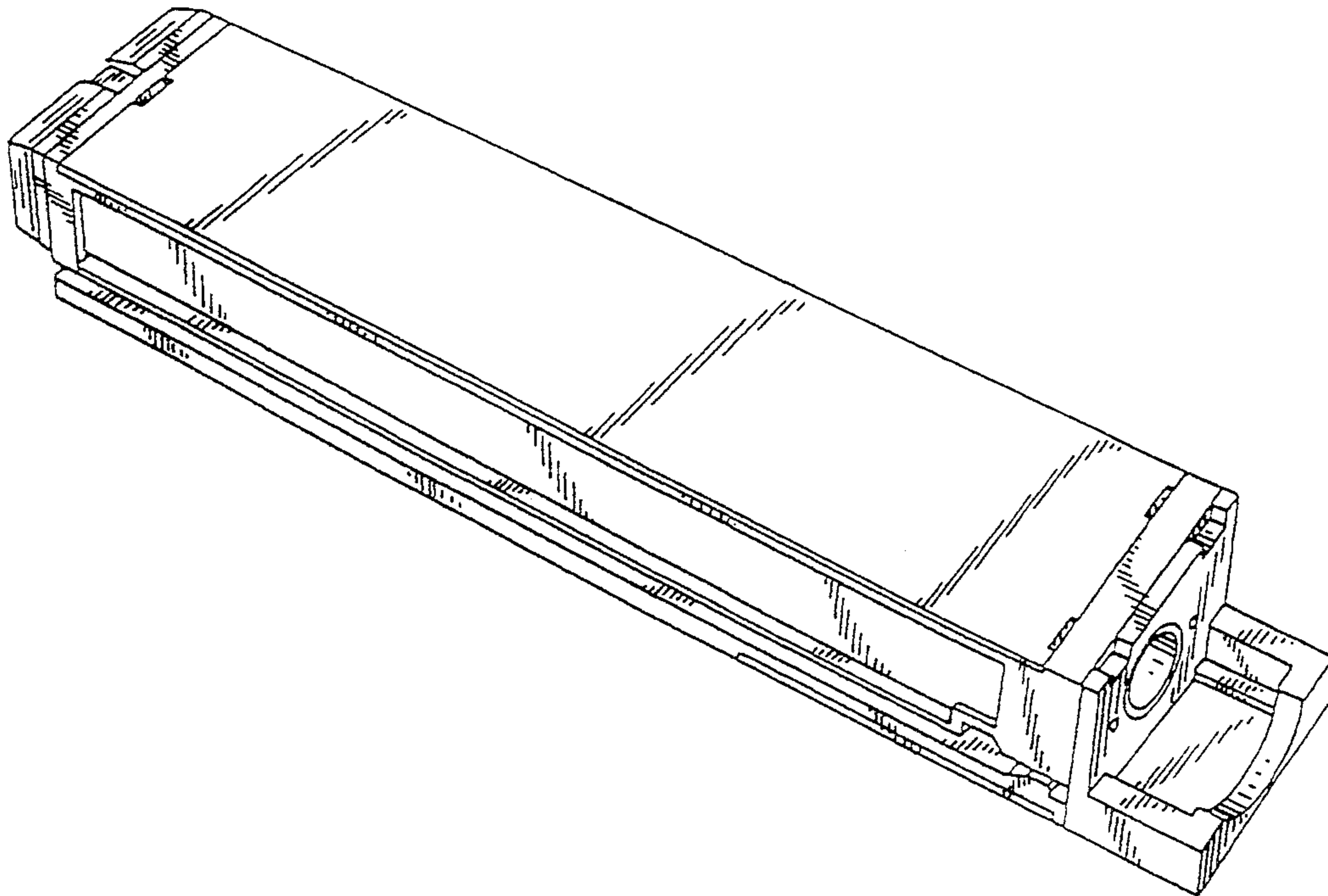


FIG. 1

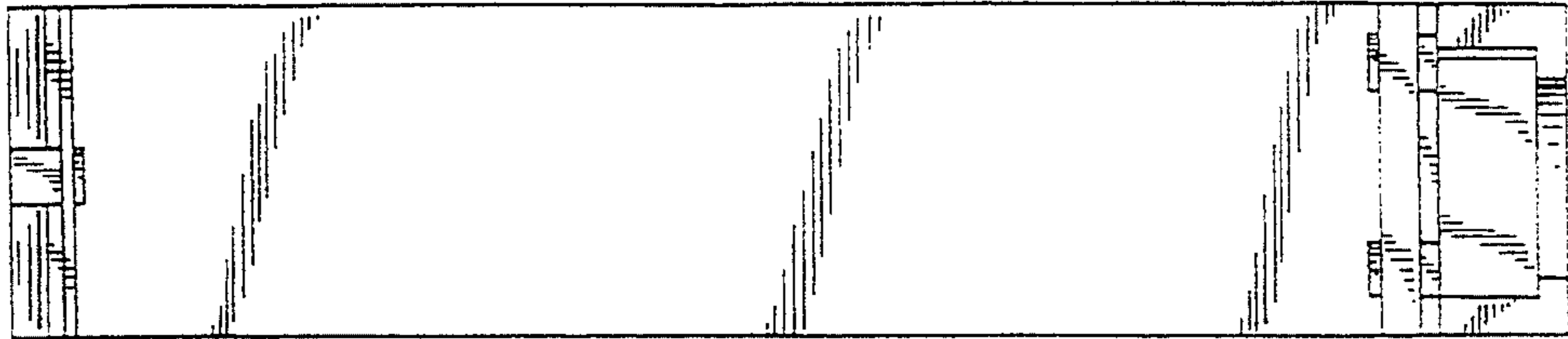


FIG. 2



FIG. 3

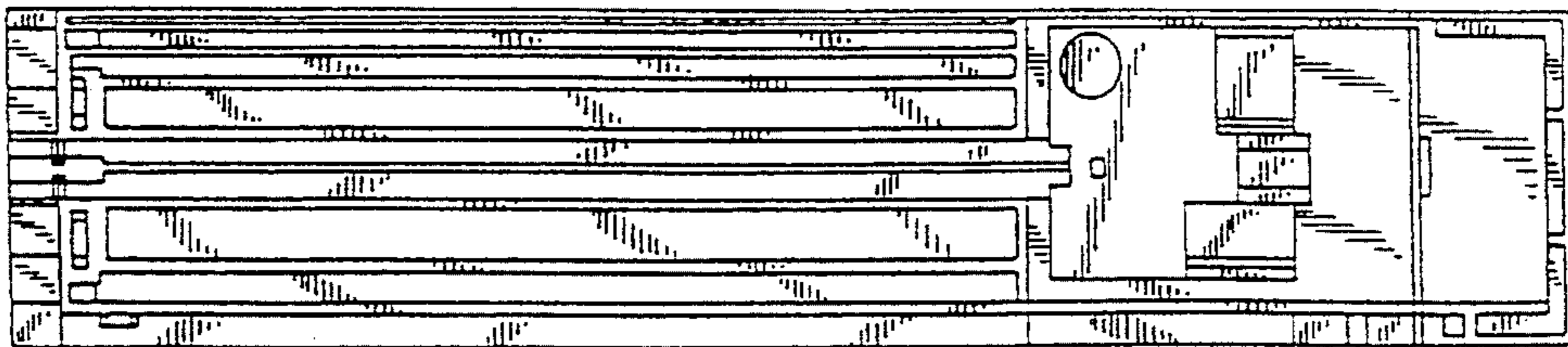


FIG. 4

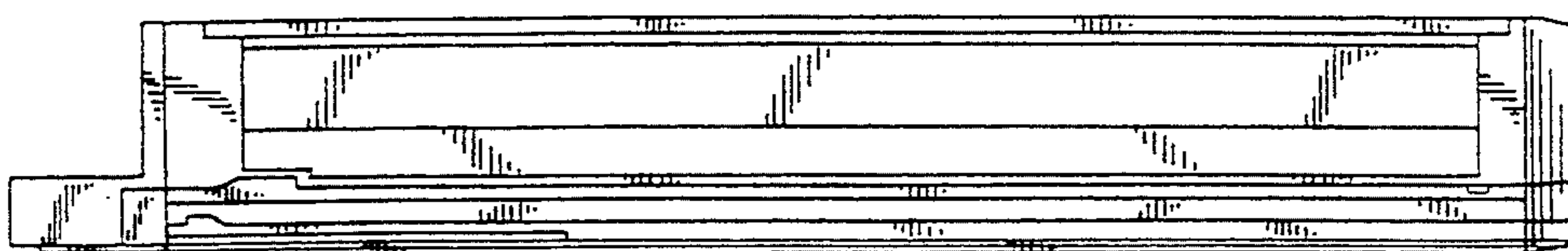


FIG. 5

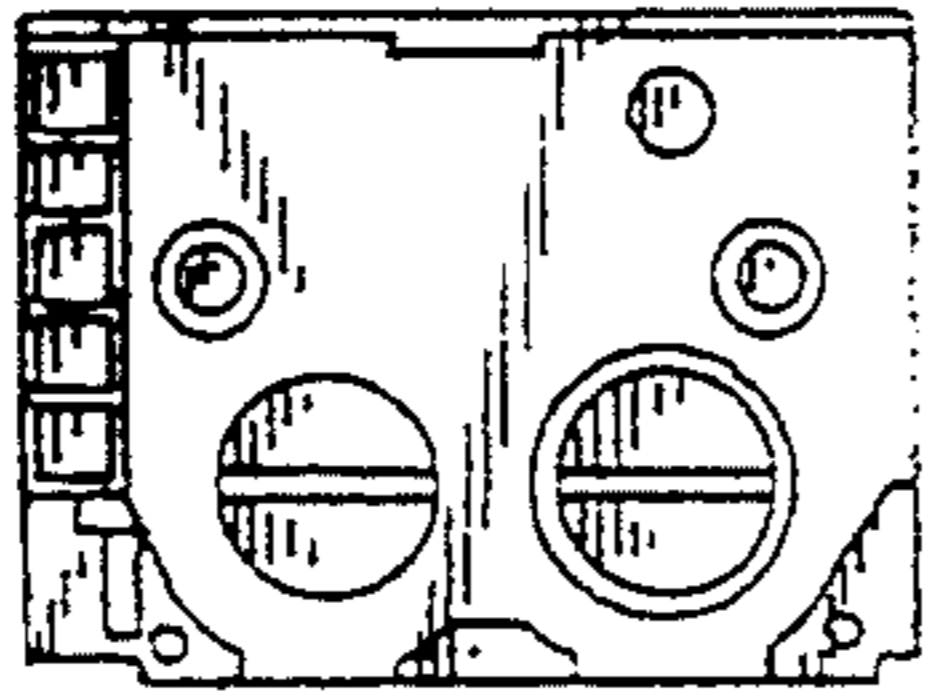


FIG. 6

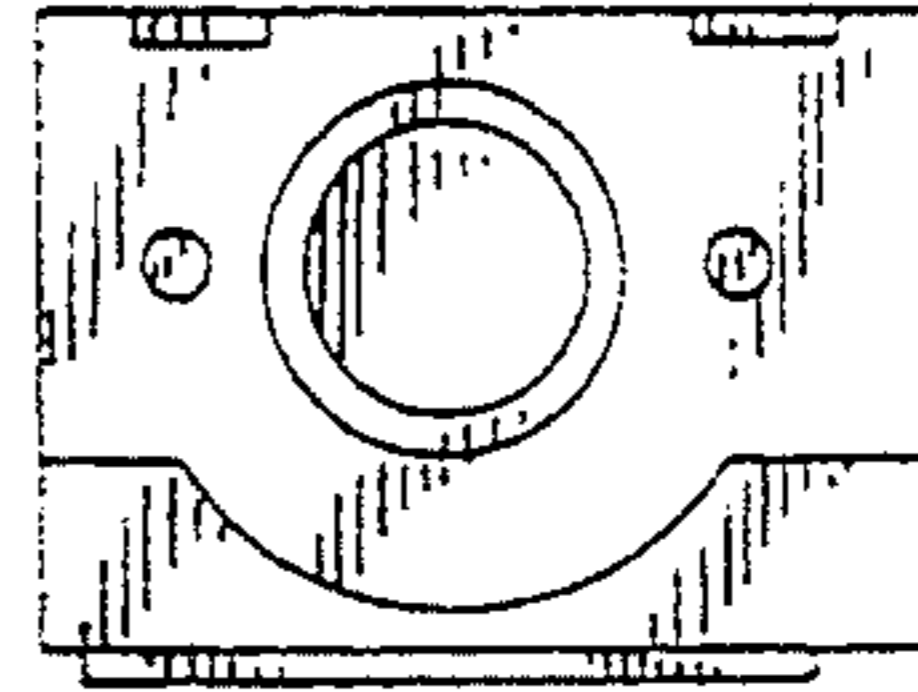


FIG. 7

