



US00D361340S

United States Patent [19]

[11] Patent Number: **Des. 361,340**

Bush

[45] Date of Patent: **** Aug. 15, 1995**

[54] **STEREOSCOPIC VIEWER**

[76] Inventor: **Timothy H. Bush**, 19 Mohawk Dr., Clarendon Hills, Ill. 60514

[**] Term: **14 Years**

[21] Appl. No.: **14,941**

[22] Filed: **Nov. 5, 1993**

[52] U.S. Cl. **D16/222**

[58] Field of Search **D16/221, 222, 227, 229; 40/361, 362, 364, 366; 359/462, 463, 466, 474**

2,621,562	12/1952	Stone .	
2,683,391	7/1954	Nichols .	
2,757,573	8/1956	Turner .	
2,821,884	2/1958	Austin .	
2,984,153	5/1961	Brennan .	
3,298,772	1/1967	Milinoski	359/474
3,391,971	7/1968	Kaufman .	
3,418,035	12/1968	Rau .	
3,462,210	8/1969	Monzali .	
4,253,732	3/1981	Carver .	
4,730,898	3/1988	Curtin .	
4,789,220	12/1988	Kinnard .	
4,846,553	7/1989	Rice .	
5,000,543	3/1991	Curtin .	
5,002,363	3/1991	Tanaka .	
5,058,990	10/1991	Bush	359/474

[56] **References Cited**

U.S. PATENT DOCUMENTS

40,654	11/1863	Tresize .	
139,534	6/1873	Bazin .	
D. 153,296	4/1949	Kauten	D16/222
D. 171,480	2/1954	Beck	D16/222
D. 174,111	3/1955	Crapsey	D16/222
D. 246,788	12/1977	Simonelli et al.	D16/222
262,846	8/1882	Stevens .	
D. 290,016	5/1987	Vitrac	D16/222
D. 323,180	1/1992	Bush	D16/222
502,450	8/1893	Wagner .	
994,378	6/1911	Douglas .	
1,012,144	12/1911	Murphy .	
1,024,613	4/1912	Berger .	
1,097,601	5/1914	Maerz .	
1,193,993	8/1916	Clarke .	
1,197,679	9/1916	Stern .	
1,252,089	1/1918	Clarke .	
1,257,327	2/1918	Disney .	
1,392,327	10/1921	Hattersley .	
2,018,739	10/1935	Pauchek .	
2,131,444	9/1938	Lateltin et al. .	
2,145,423	1/1939	Long .	
2,178,324	10/1939	King et al. .	
2,187,765	1/1940	Walter .	
2,225,602	12/1940	Ryker .	
2,246,604	6/1941	Smith .	
2,366,228	1/1945	Abrams et al. .	

OTHER PUBLICATIONS

3DMARK brochure dated Jan. 1989.

Primary Examiner—Theodore M. Shooman

Assistant Examiner—Adir Aronovich

Attorney, Agent, or Firm—William Brinks Hofer Gilson & Lione

[57] **CLAIM**

The ornamental design for a stereoscopic viewer, as shown and described.

DESCRIPTION

FIG. 1 is a top, front and right side perspective view of a stereoscopic viewer showing my new design;

FIG. 2 is a top plan view thereof;

FIG. 3 is a right side elevational view thereof;

FIG. 4 is a left side elevational view thereof;

FIG. 5 is a front elevational view thereof;

FIG. 6 is a rear elevational view thereof; and,

FIG. 7 is a bottom plan view thereof.

The broken line showing of a rectangular card is for illustrative purposes only and forms no part of the claimed design.

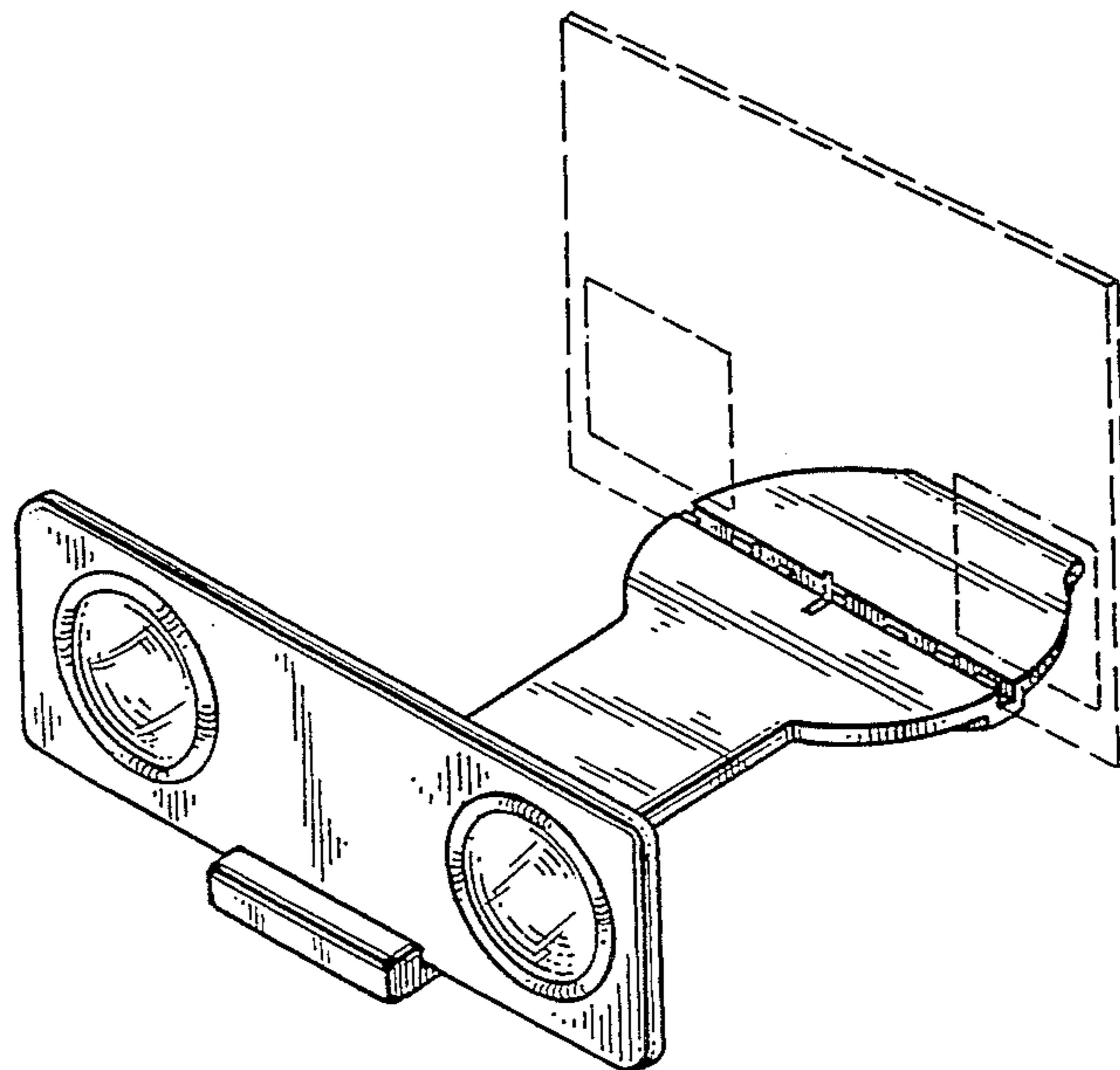


FIG. 1

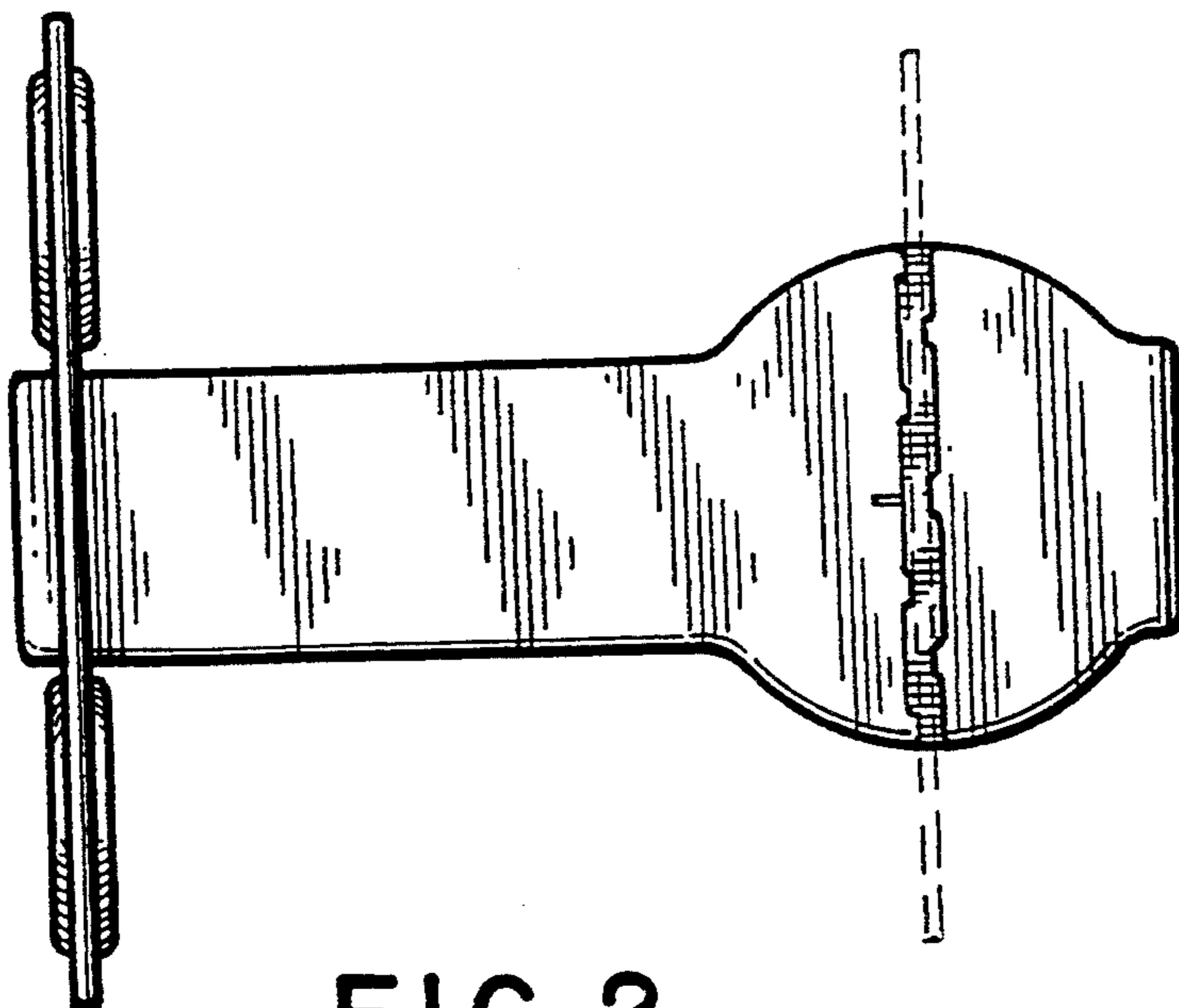
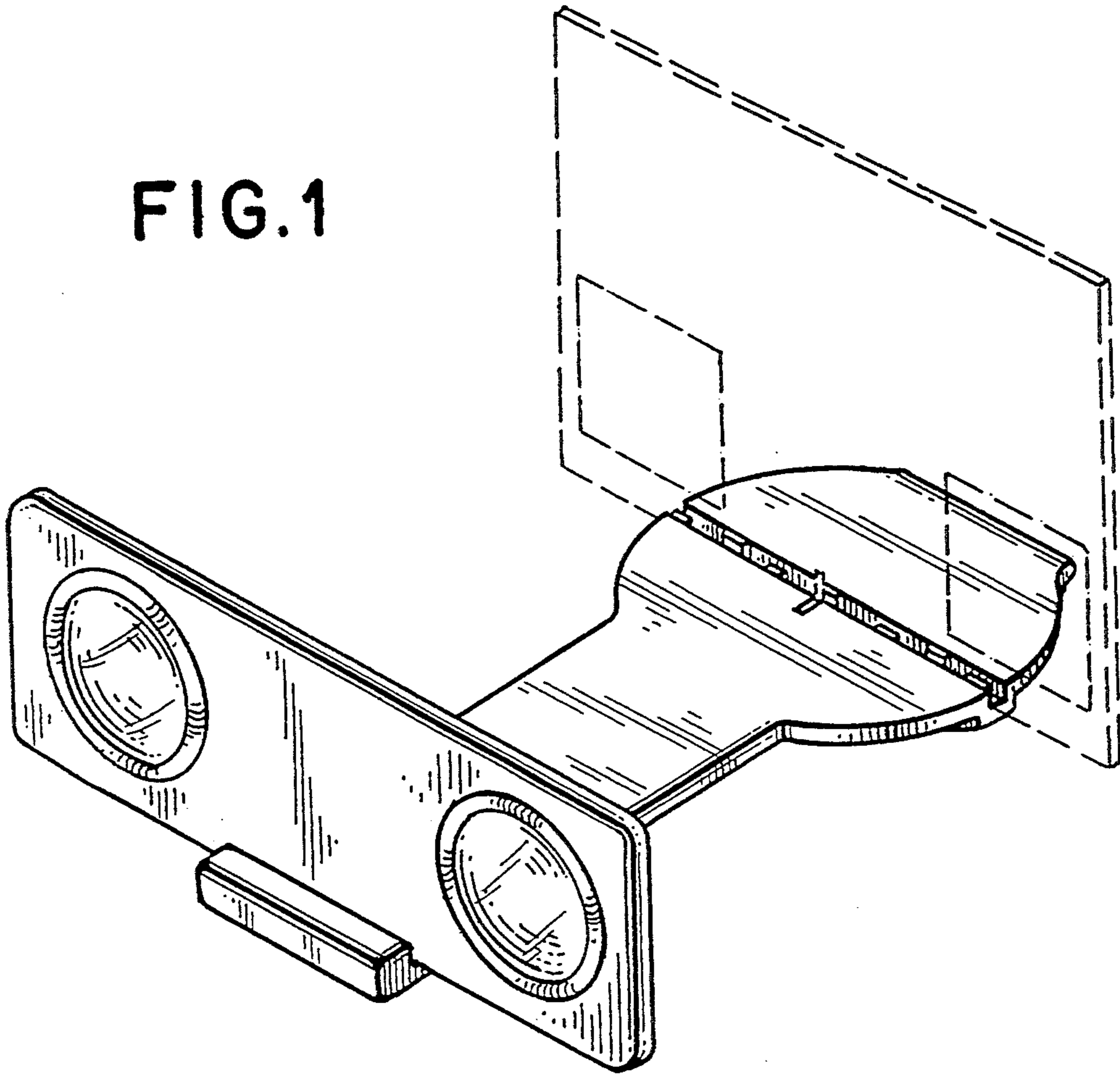


FIG. 2

FIG. 3

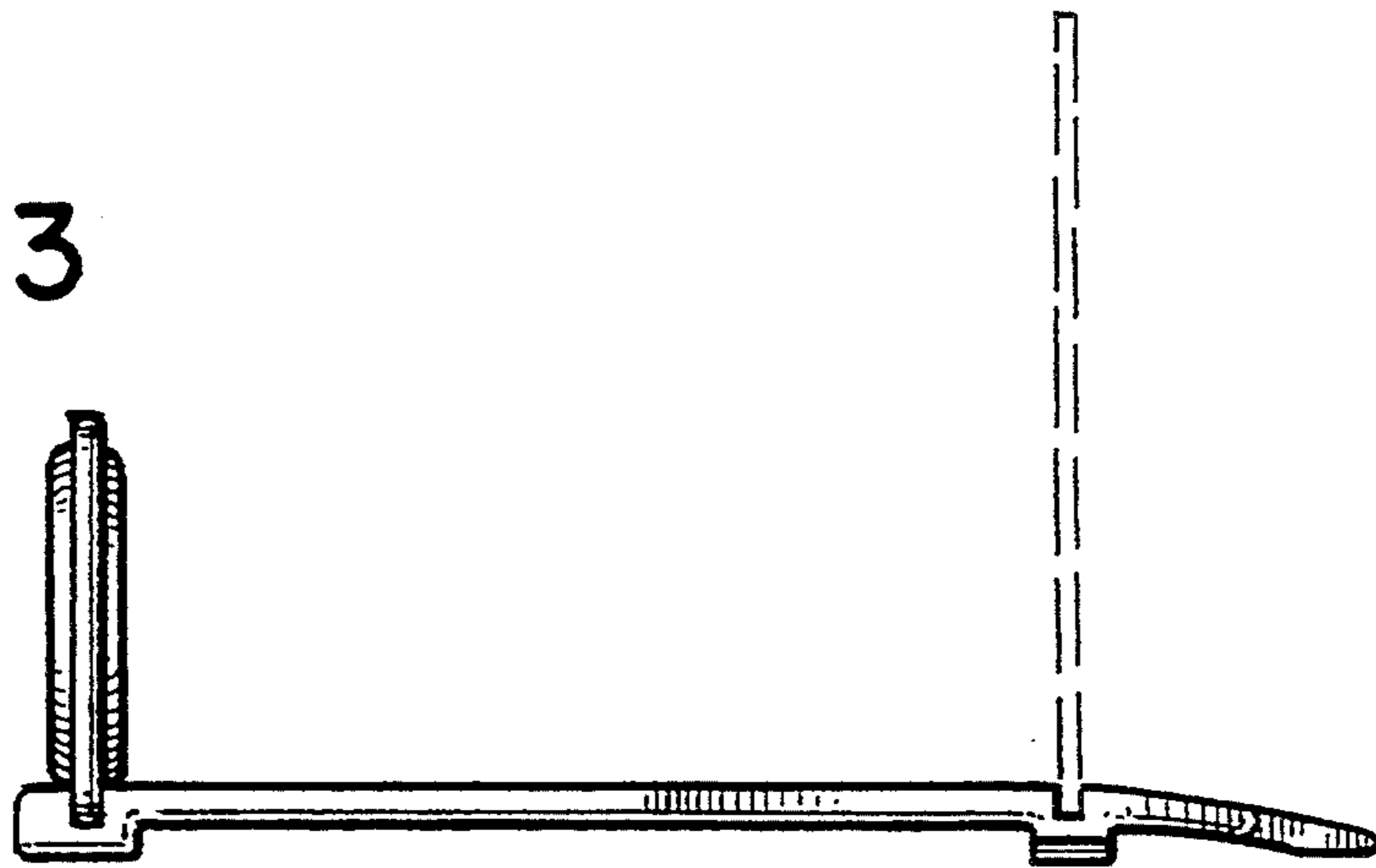


FIG. 4

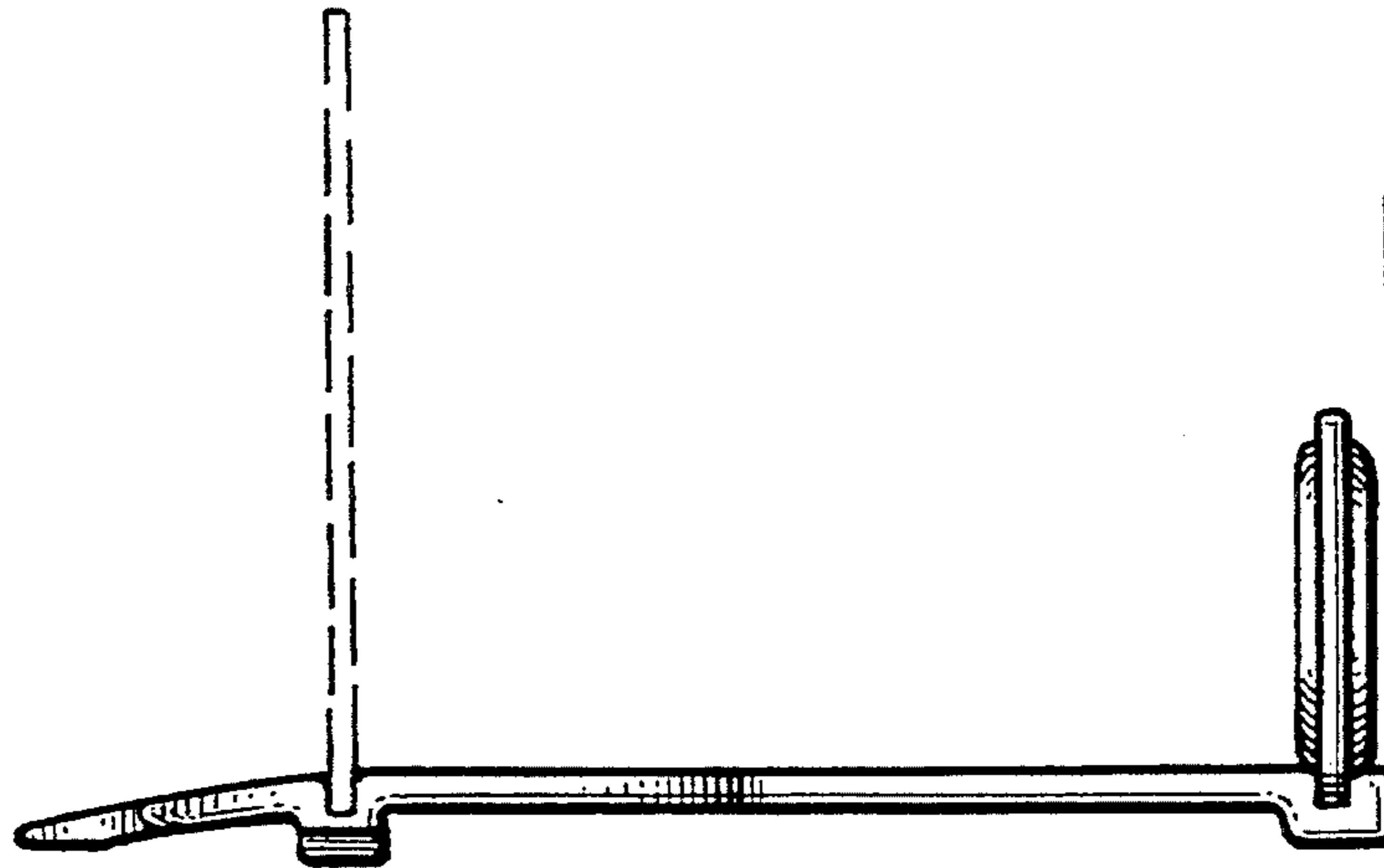


FIG. 5

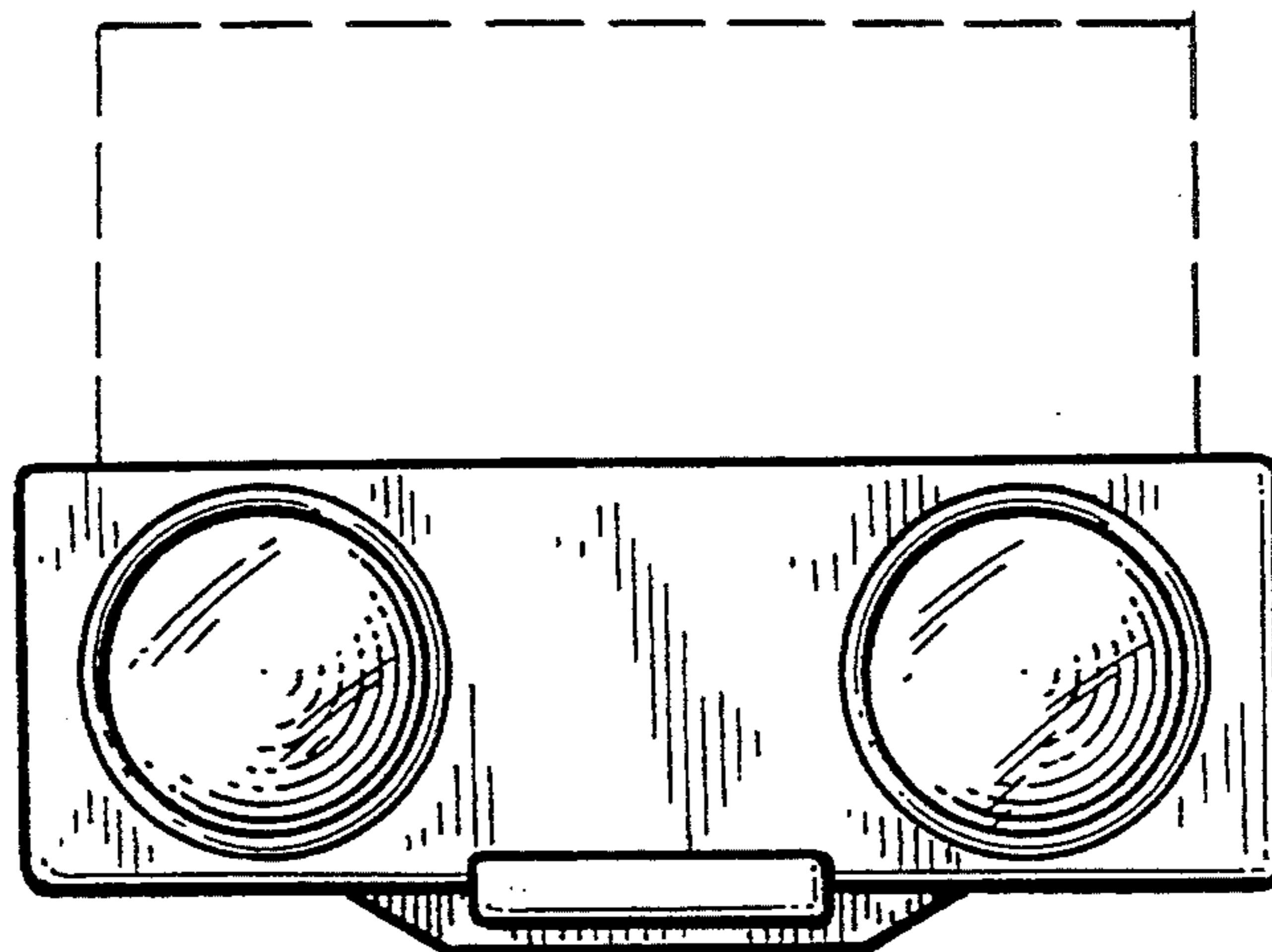


FIG. 6

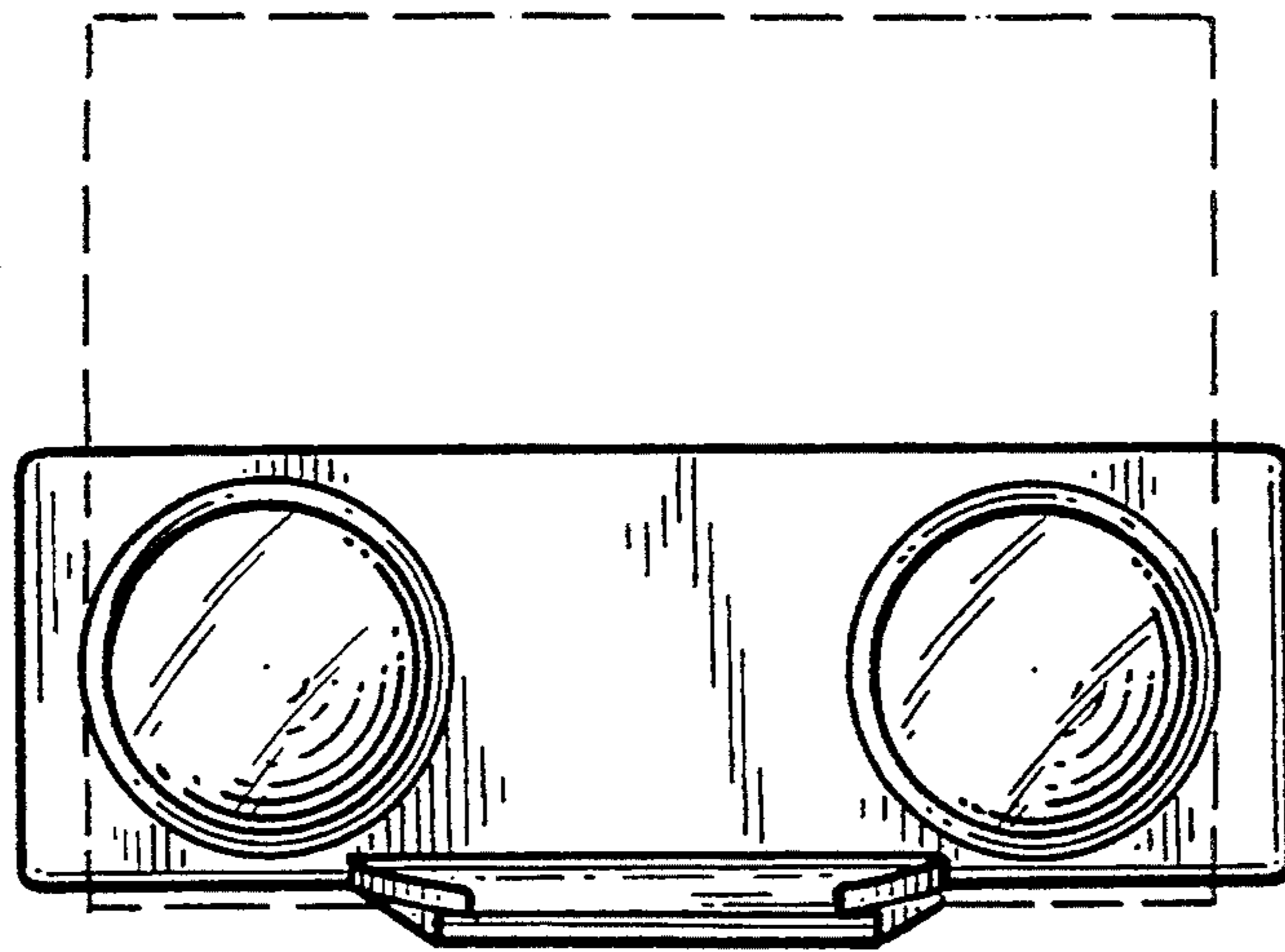
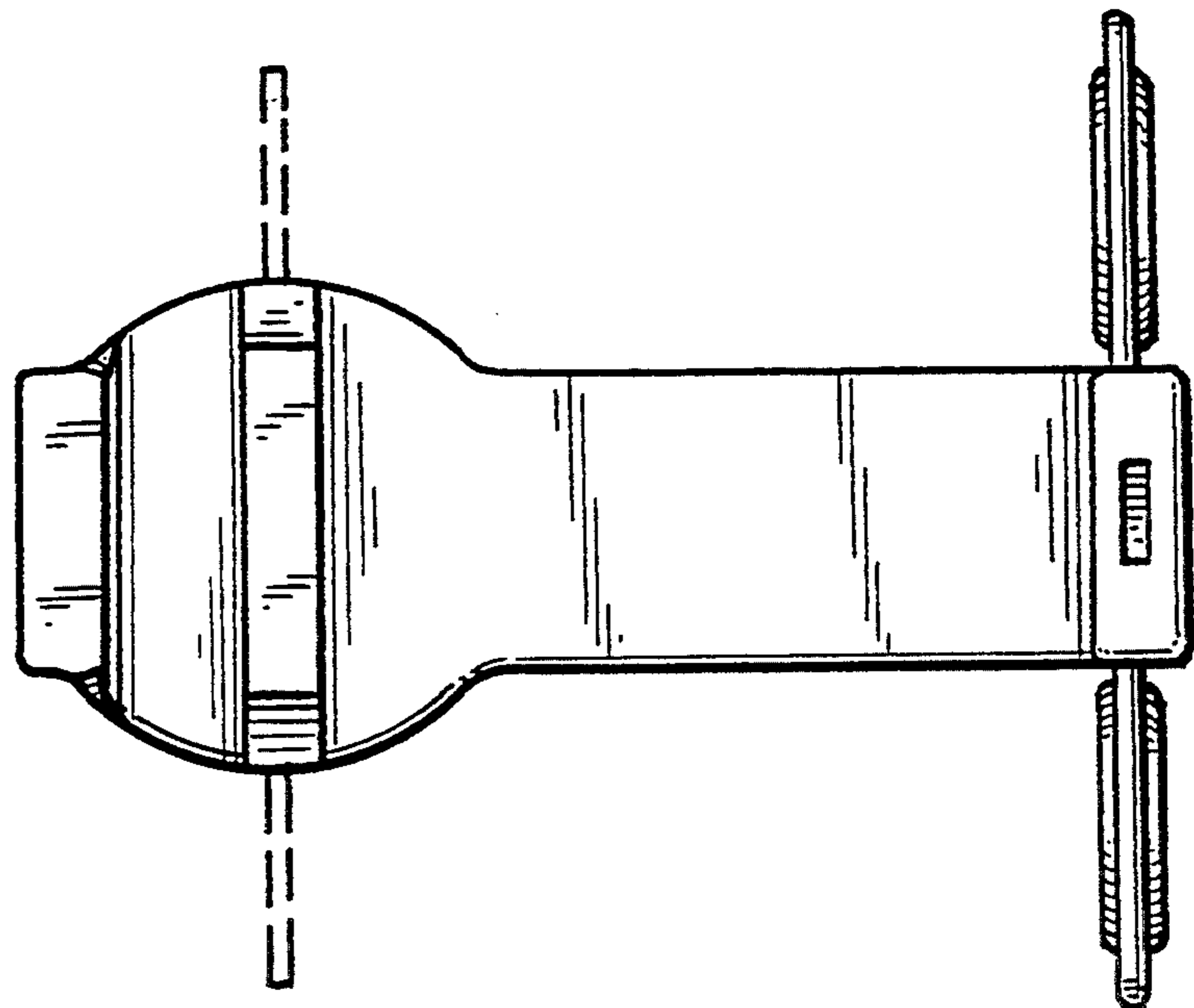


FIG. 7



UNITED STATES PATENT AND TRADEMARK OFFICE
CERTIFICATE OF CORRECTION

PATENT NO. : Des. 361,340
DATED : August 15, 1995
INVENTOR(S) : Timothy H. Bush

It is certified that error appears in the above-identified patent and that said Letters Patent is hereby corrected as shown below:

On the Title Page : Item [56]

Under "OTHER PUBLICATIONS" please add the following:

-- Hubbard Scientific Pat. D 207,580 Photocopy of device with wrong design patent number imprinted on it.

Stereoptics Instructions.

Copy of a page from an unknown antique magazine.

Copy of device produced by Kenner Toy Company "See A Show".

Copy of Lookman device.

Copy of device entitled "Stereoptics". --

Signed and Sealed this
Thirtieth Day of April, 1996

Attest:



BRUCE LEHMAN

Attesting Officer

Commissioner of Patents and Trademarks