



US00D361338S

United States Patent [19]

[11] Patent Number: **Des. 361,338**

Bauer

[45] Date of Patent: **** Aug. 15, 1995**

- [54] **LINEAR SLIDES WITH TOOTHED BELT DRIVERS**
- [75] Inventor: **Siegfried Bauer,**
Massbach-Volkershausen, Germany
- [73] Assignee: **Deutsche Star GmbH,** Schweinfurt,
Germany
- [**] Term: **14 Years**
- [21] Appl. No.: **27,932**
- [22] Filed: **Sep. 1, 1994**

Related U.S. Application Data

- [62] Division of Ser. No. 16,498, Dec. 16, 1993, which is a division of Ser. No. 795,640, Nov. 21, 1991, Pat. No. Des. 345,041.

Foreign Application Priority Data

- May 22, 1991 [DE] Germany M 91 03 755.7
- [52] U.S. Cl. **D15/199**
- [58] Field of Search D15/138, 145, 150, 151,
D15/152, 199; 53/128.1; 82/132-141; 474/144,
145, 146, 147, 205, 268

- [56] **References Cited**
- U.S. PATENT DOCUMENTS**
- D. 240,293 6/1976 Bogart D10/70
- D. 308,207 5/1990 Burke D15/199 X
- D. 310,041 8/1990 Nagaoka D10/70
- D. 333,666 3/1993 Kawashima et al. D15/199 X

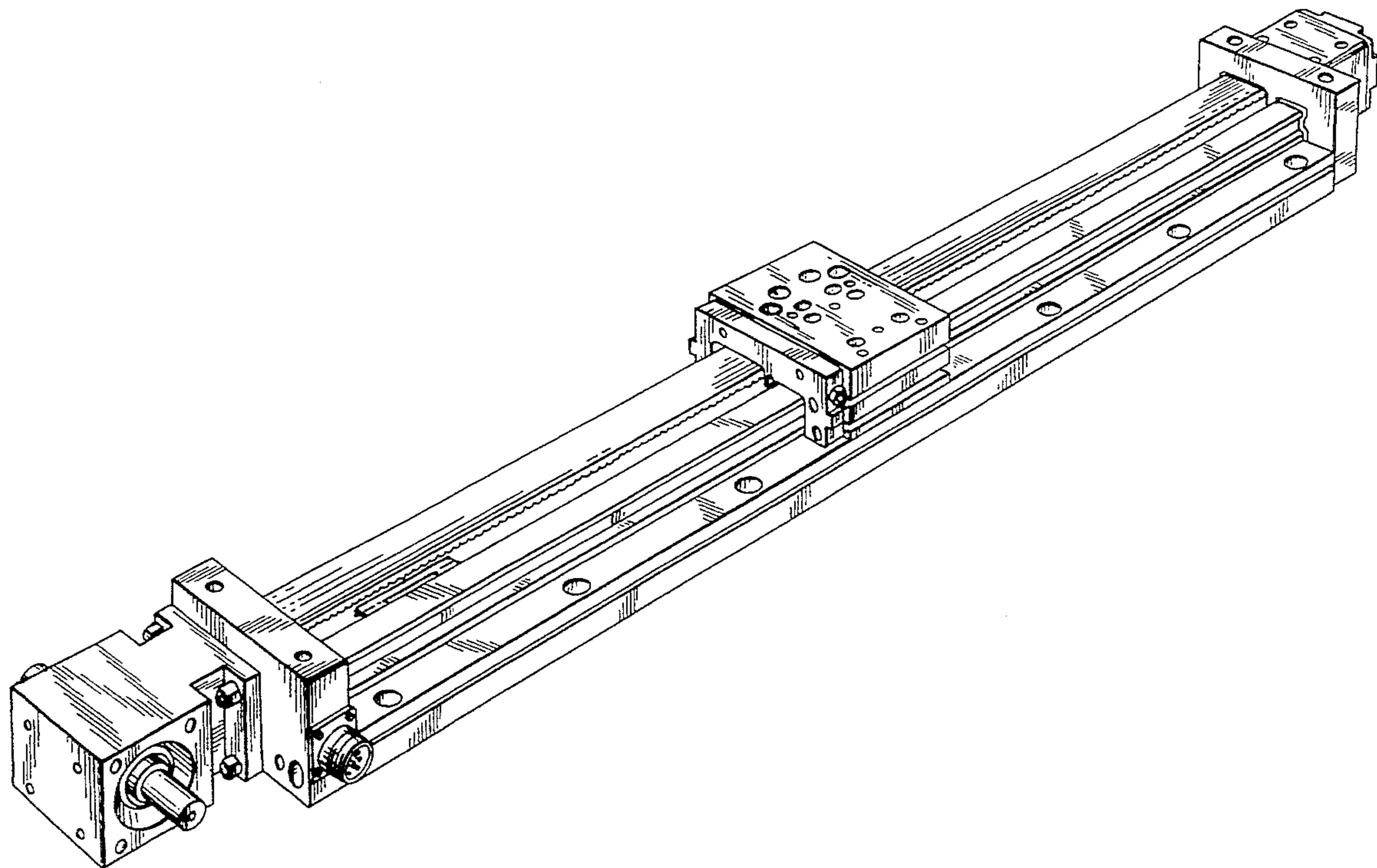
Primary Examiner—Antoine Duval Davis
Attorney, Agent, or Firm—Anderson Kill Olick & Oshinsky

[57] CLAIM

The ornamental design for a linear slides with toothed belt drives, as shown and described.

DESCRIPTION

FIG. 1 is a perspective front view of a first embodiment of the linear slides with toothed belt drives showing my new design;
 FIG. 2 is a perspective rear view thereof;
 FIG. 3 is a perspective bottom view thereof;
 FIG. 4 is a perspective front view of a second embodiment of the linear slides with toothed belt drives showing my new design;
 FIG. 5 is a perspective rear view thereof; and,
 FIG. 6 is a perspective bottom view thereof.



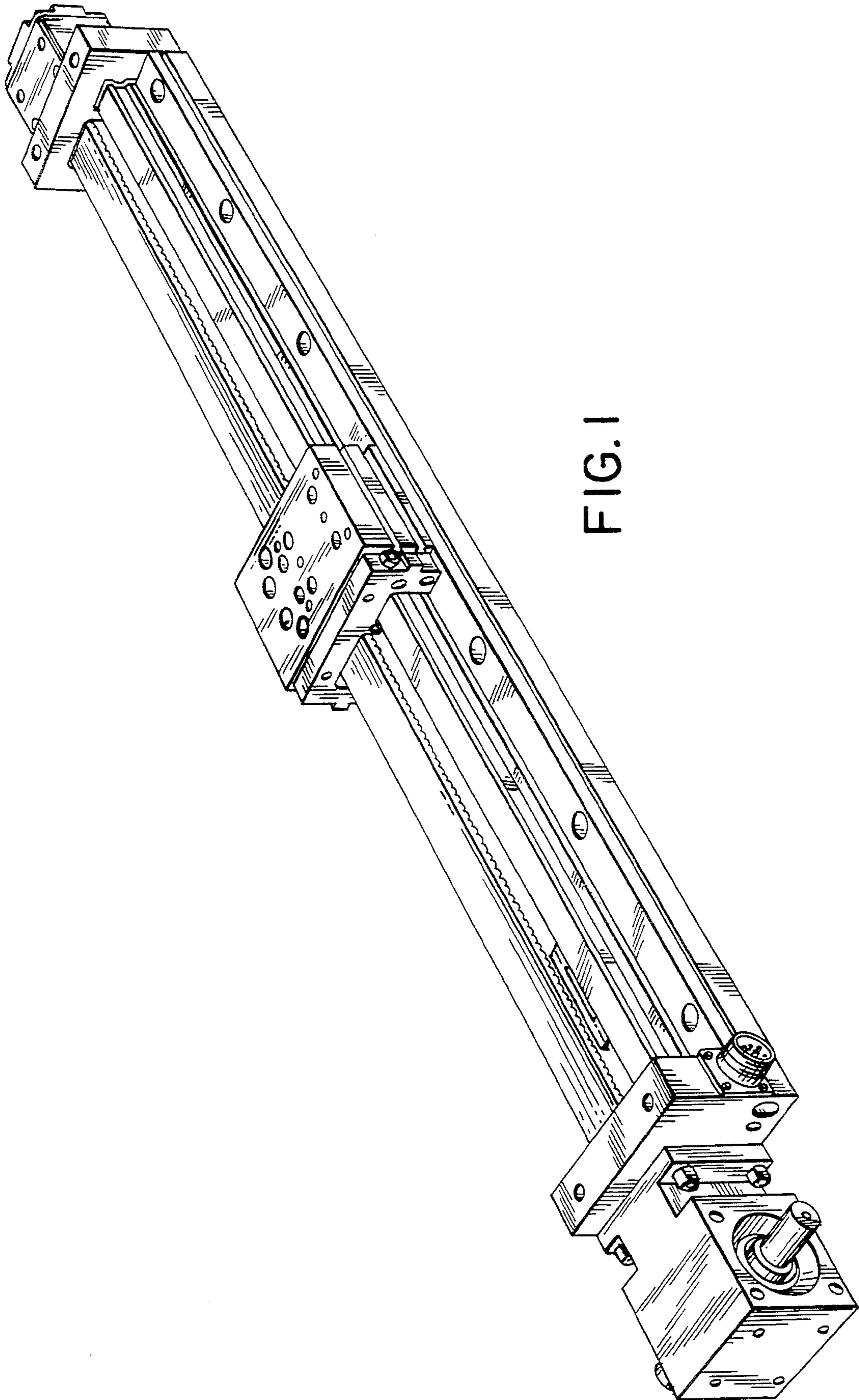


FIG. 1

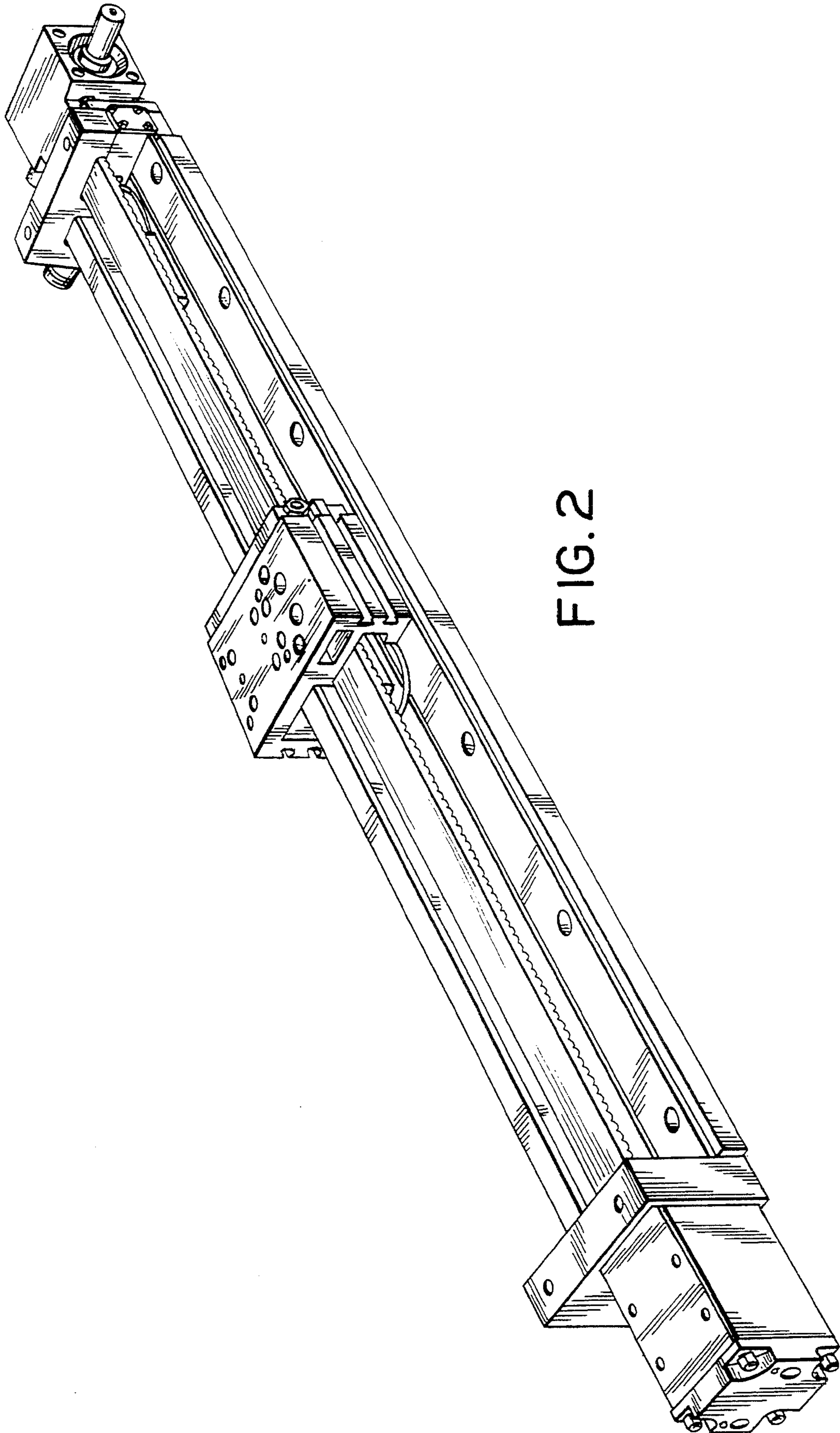


FIG. 2

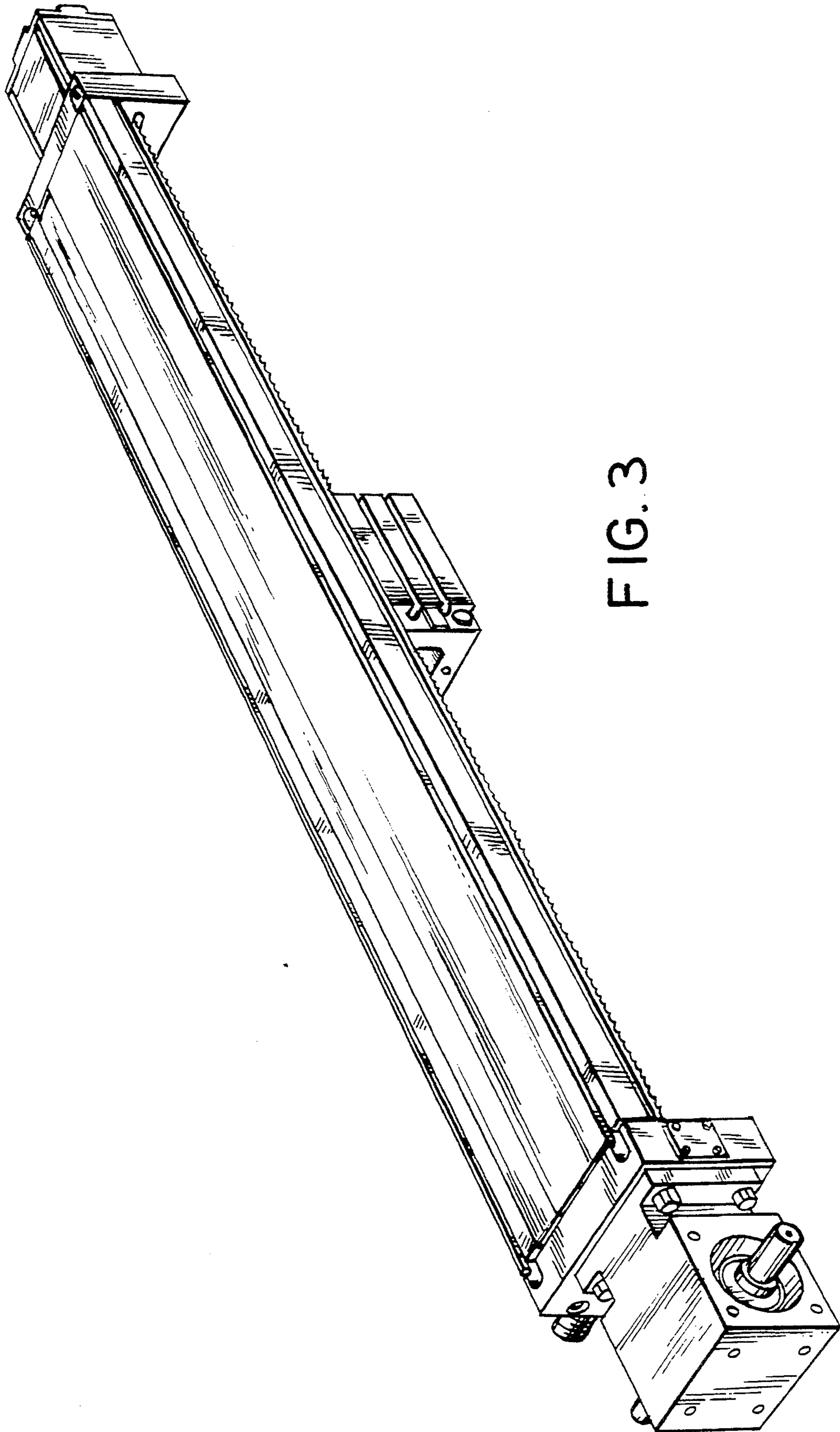


FIG. 3

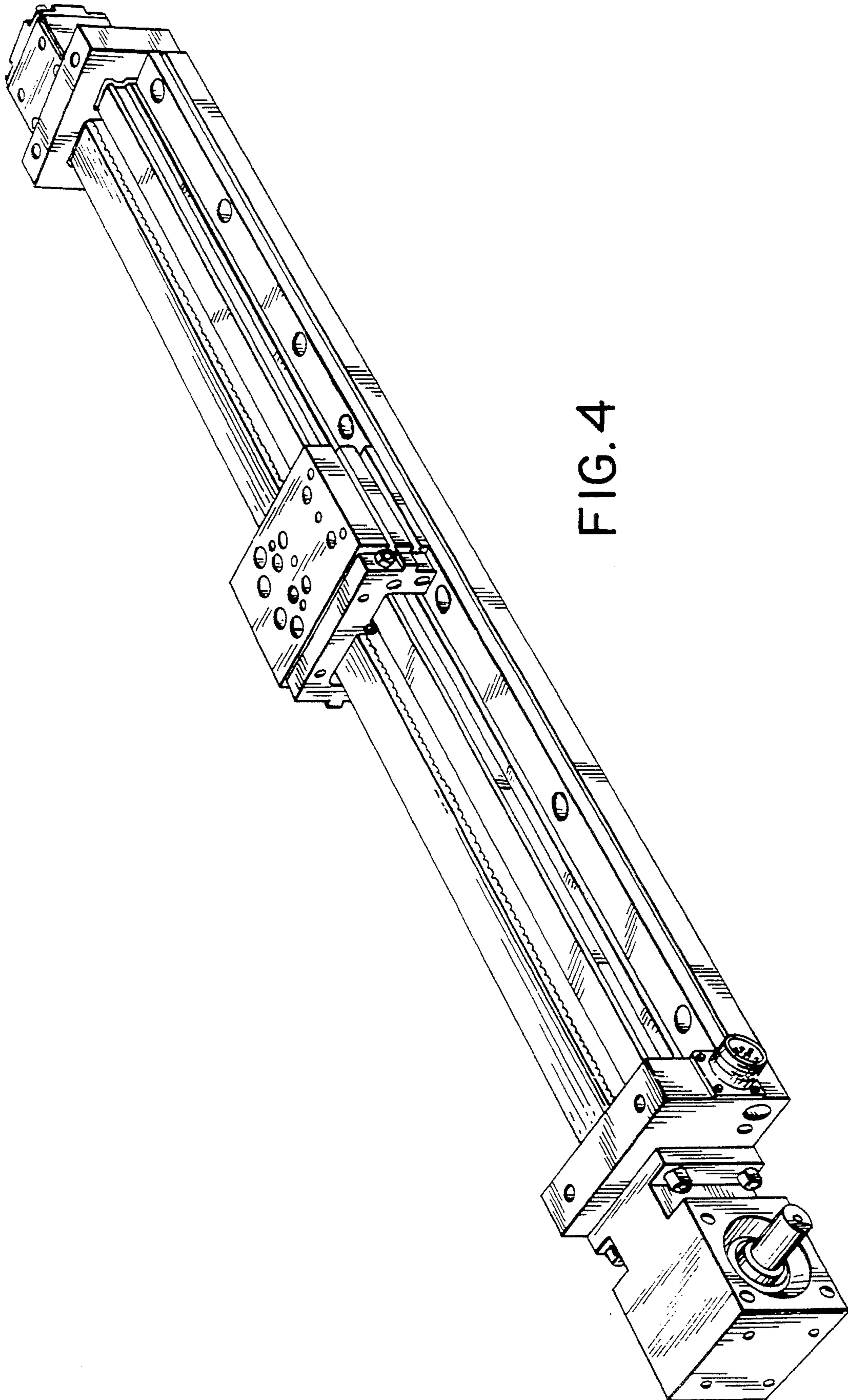


FIG. 4

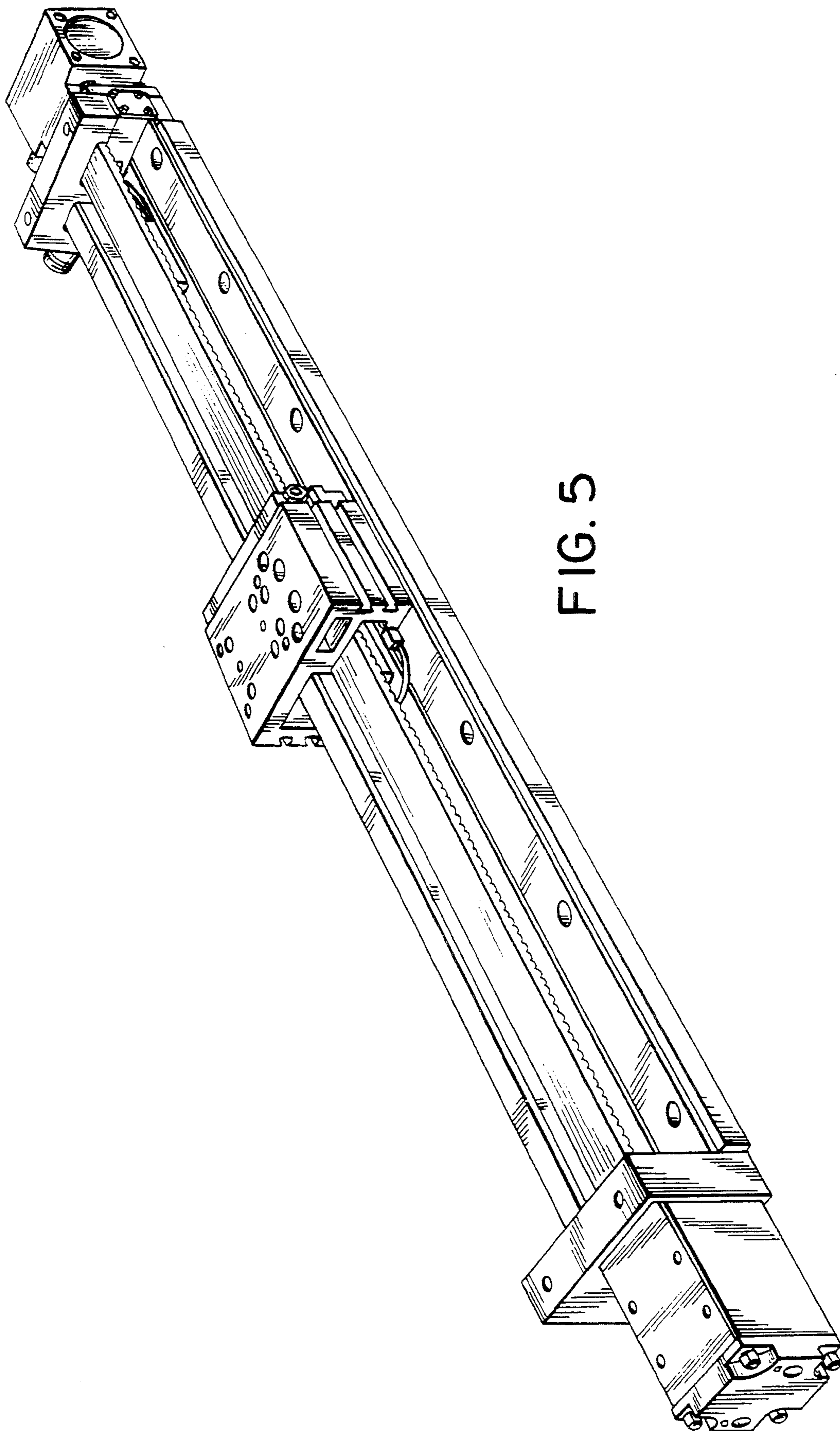


FIG. 5

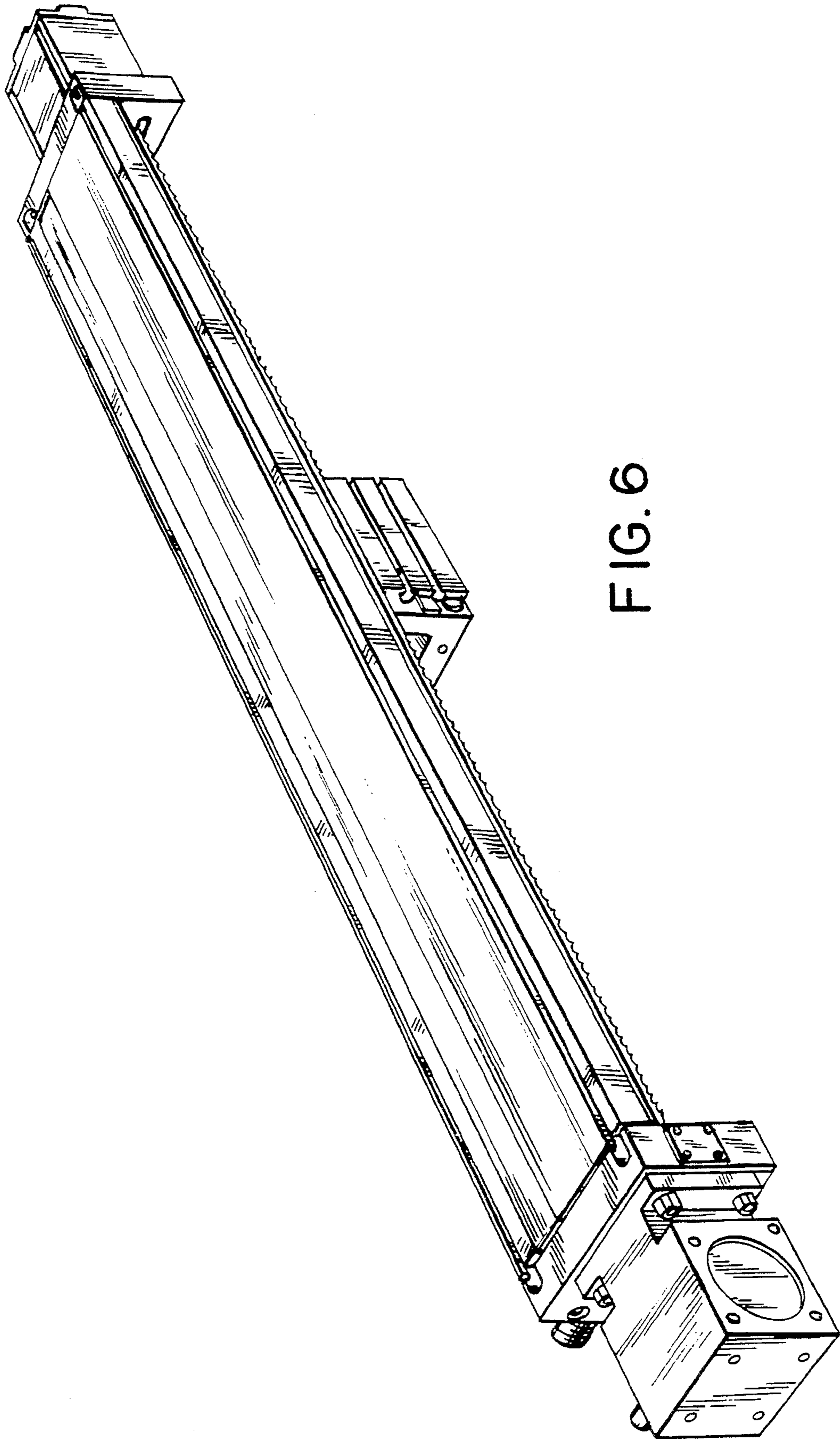


FIG. 6