



US00D361337S

United States Patent [19]
Hardy

[11] **Patent Number: Des. 361,337**
[45] **Date of Patent: ** Aug. 15, 1995**

[54] **PRESS JIG FOR DENTAL HANDPIECE BEARINGS**

[76] **Inventor: Henry R. Hardy, 215 Rabbit Run Rd., Osteen, Fla. 32746**

[**] **Term: 14 Years**

[21] **Appl. No.: 29,568**

[22] **Filed: Oct. 11, 1994**

[52] **U.S. Cl. D15/123; D15/140**

[58] **Field of Search D15/123, 128, 140; 29/251, 257, 256, 267, 270, 283; 100/214, 219, 178, 251, 266, 268, 269 R**

[56] **References Cited**

U.S. PATENT DOCUMENTS

D. 107,971	1/1938	Pfauser	D15/123
2,267,662	12/1941	Miller	100/266
2,399,857	5/1946	Connors	100/219
2,485,022	10/1949	Taylor	29/283
2,629,442	2/1953	Veilleux	29/251

4,118,852	10/1978	Schneider	29/251 X
4,257,321	3/1981	Wheeler et al.	D15/123 X
4,305,195	12/1981	Gould	29/251
4,473,932	10/1984	Widner	29/251
4,488,845	12/1984	Dupré	100/219
4,977,660	12/1990	Maynard	29/251
5,031,312	7/1991	Culbertson et al.	29/256 X

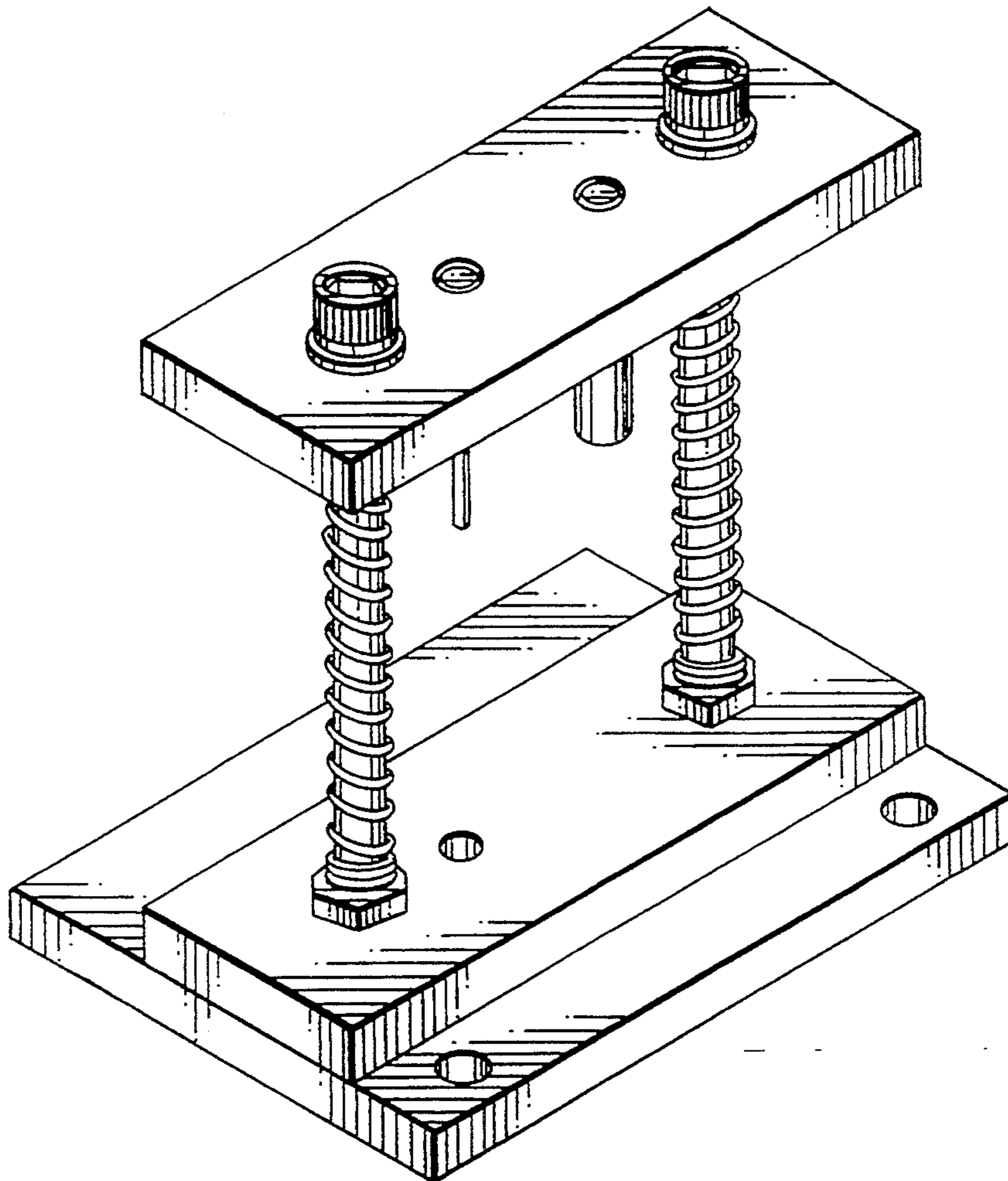
Primary Examiner—Antoine Duval Davis
Attorney, Agent, or Firm—William M. Hobby, III

[57] **CLAIM**

The ornamental design for a press jig for dental handpiece bearings, design as shown.

DESCRIPTION

FIG. 1 is a top-front perspective view of my new press jig for dental handpiece bearings;
FIG. 2 is a side elevation;
FIG. 3 is a sectional view taken on the line 3—3 of FIG. 5;
FIG. 4 is a top plan view;
FIG. 5 is a rear side elevation; and,
FIG. 6 is a bottom plan view.



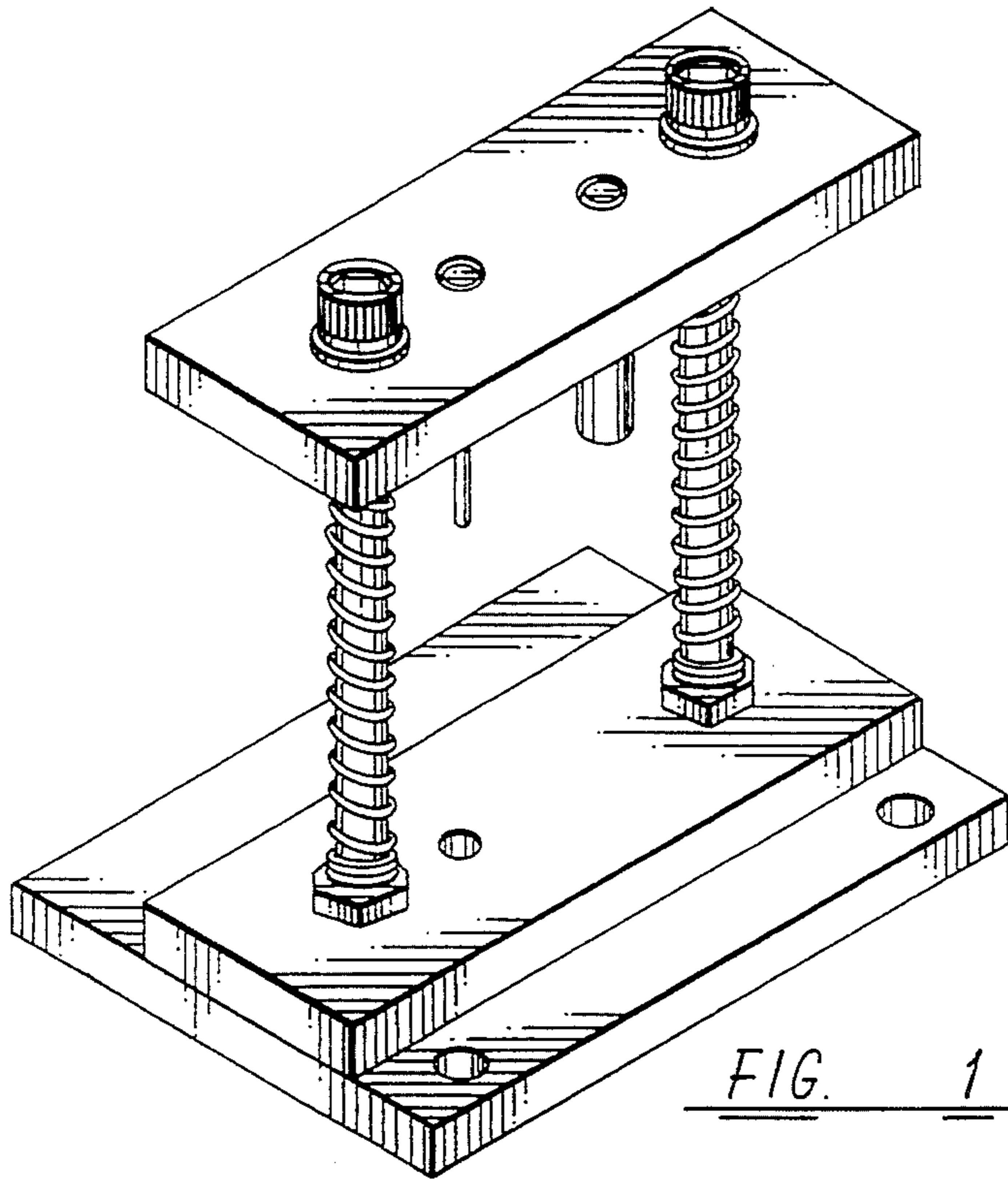


FIG. 1

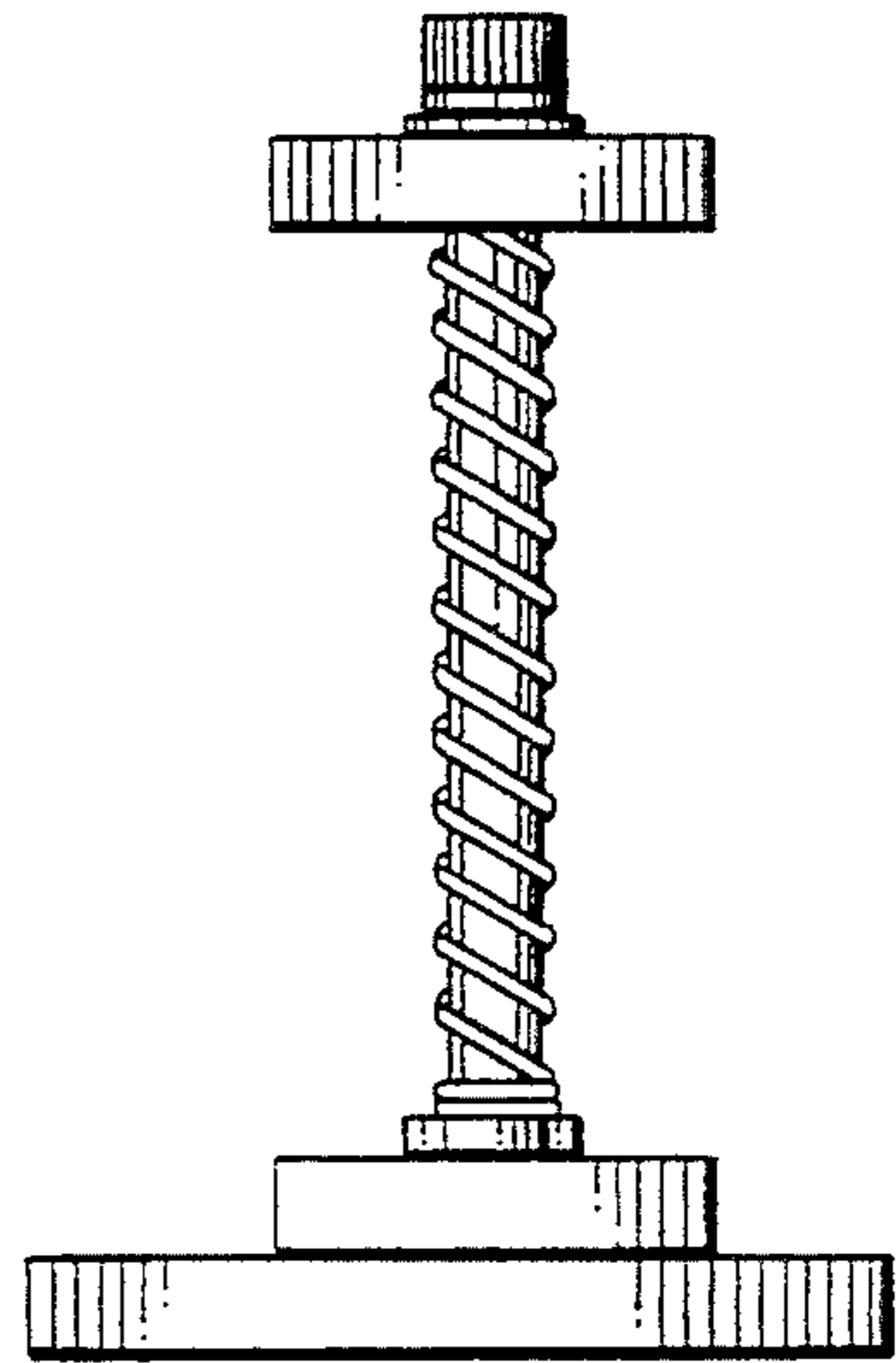


FIG. 2

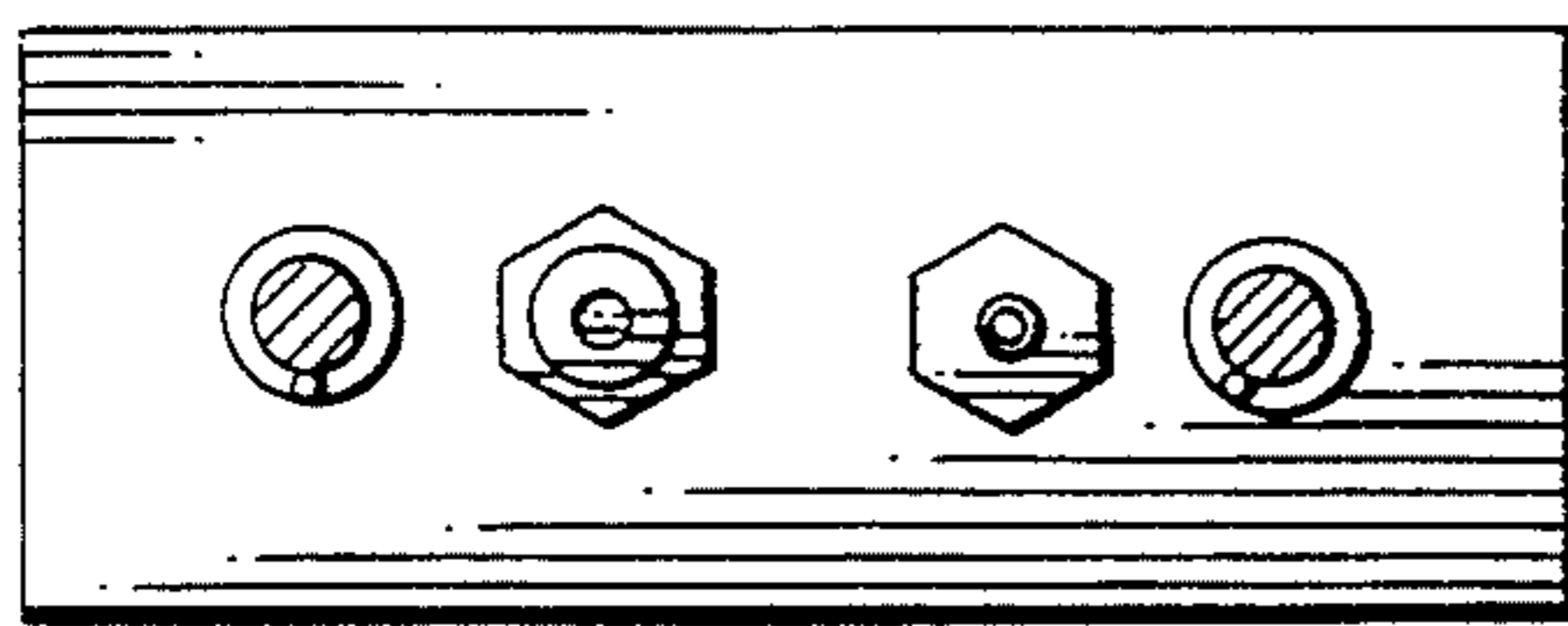


FIG. 3

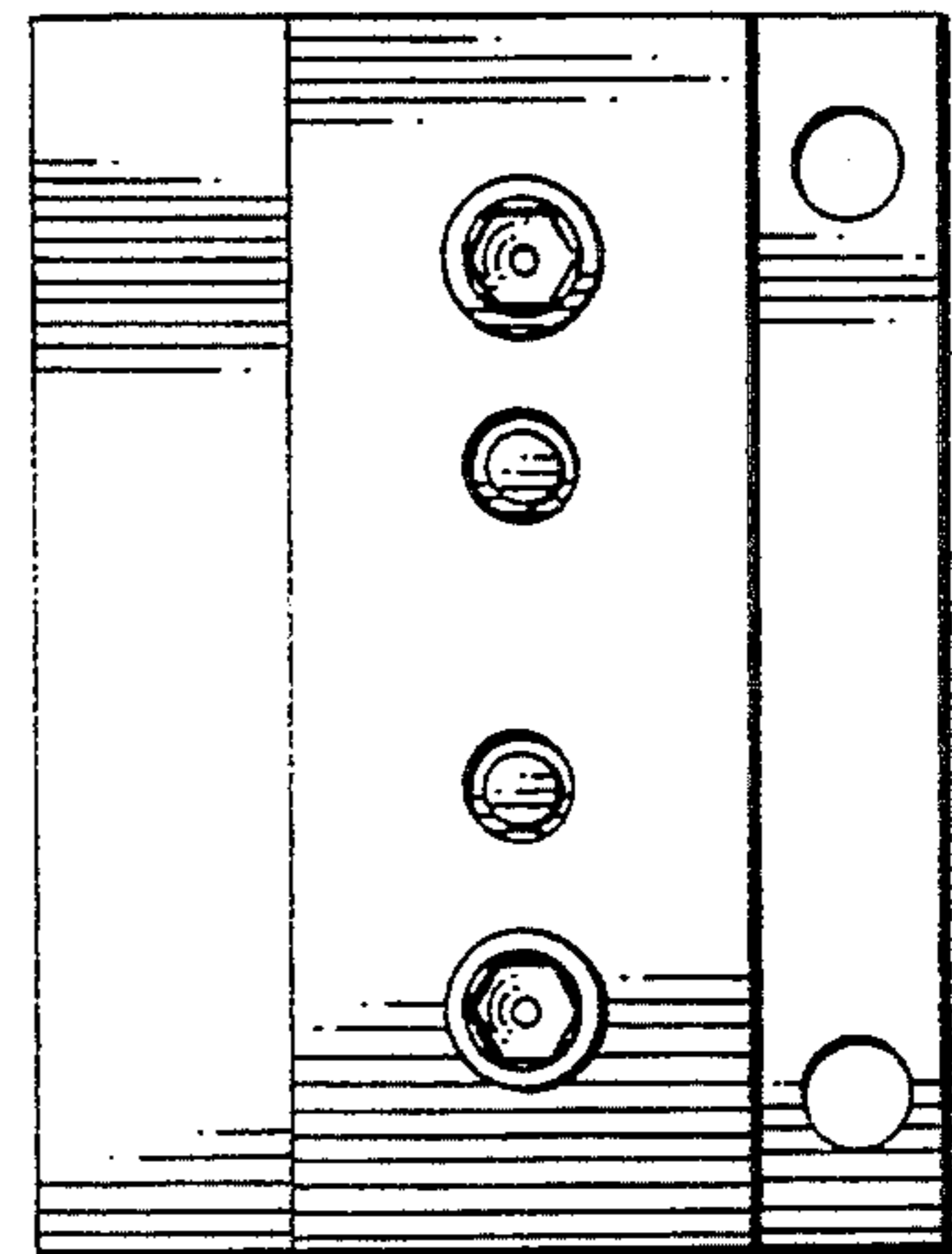


FIG. 4

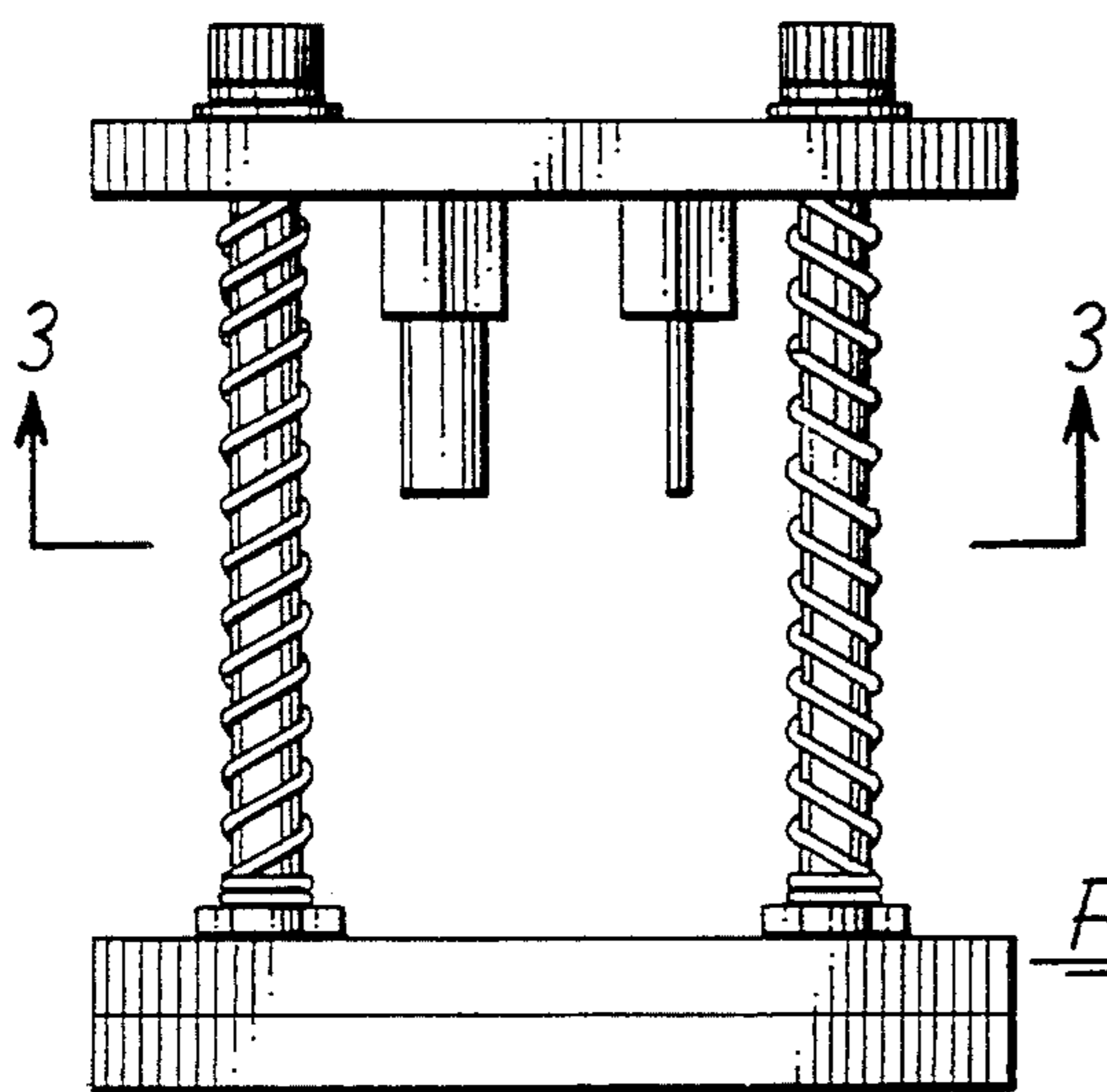


FIG. 5

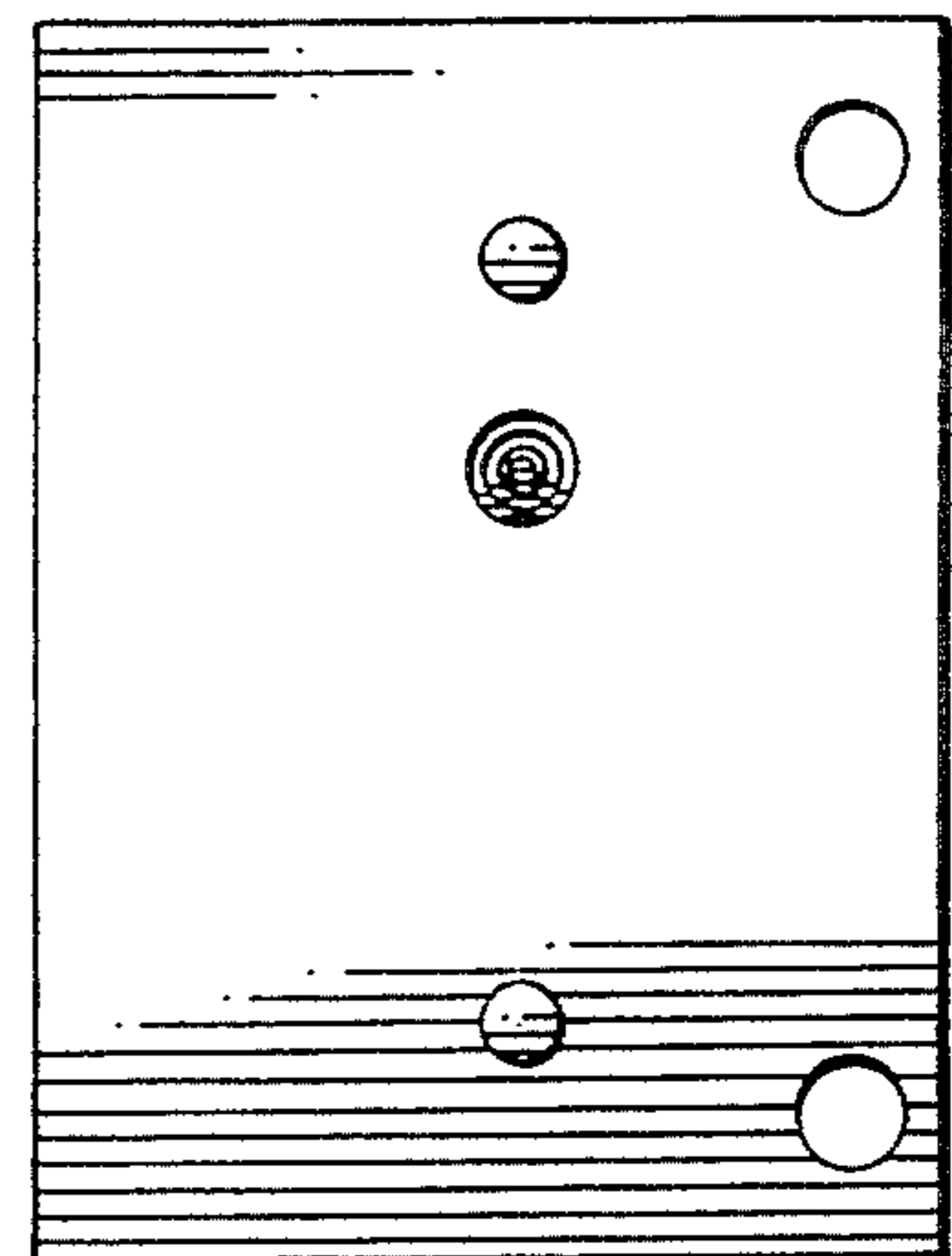


FIG. 6