



US00D361336S

United States Patent [19]

[11] Patent Number: **Des. 361,336**

Tinius

[45] Date of Patent: **** Aug. 15, 1995**

[54] **ENGINE FOR A TRIMMER**

[75] Inventor: **Michael Tinius, Elchingen, Germany**

[73] Assignee: **Andreas Stihl, Waiblingen, Germany**

[**] Term: **14 Years**

[21] Appl. No.: **22,533**

[22] Filed: **May 5, 1994**

[30] **Foreign Application Priority Data**

Nov. 5, 1993 [DE] Germany M 93 08 652.0

[52] U.S. Cl. **D15/1; D8/8**

[58] Field of Search D15/1-5,
D15/9, 14-18; 123/22, 50 R, 50 A, 51 R, 51 A,
51 B, 52 R, 56 A, 70 R, 51 BD; D8/8; 30/276,
347, 390, DIG. 5; 56/12.7, 234, 239, 249, 255,
289; D32/15

[56] **References Cited**

U.S. PATENT DOCUMENTS

D. 304,196	10/1989	Tuggle et al.	D15/1
D.324,051	2/1992	Tuggle et al.	D15/1
D. 338,676	8/1993	Tuggle et al.	D15/1
D. 344,088	2/1994	Tuggle et al.	D15/1
D. 347,772	6/1994	Kiyooka et al.	D8/8
D. 349,022	7/1994	Kiyooka et al.	D8/8
D. 353,084	12/1994	Kiyooka et al.	D8/8

D. 353,382	12/1994	Kiyooka et al.	D15/1
5,181,369	1/1993	Everts	D8/8

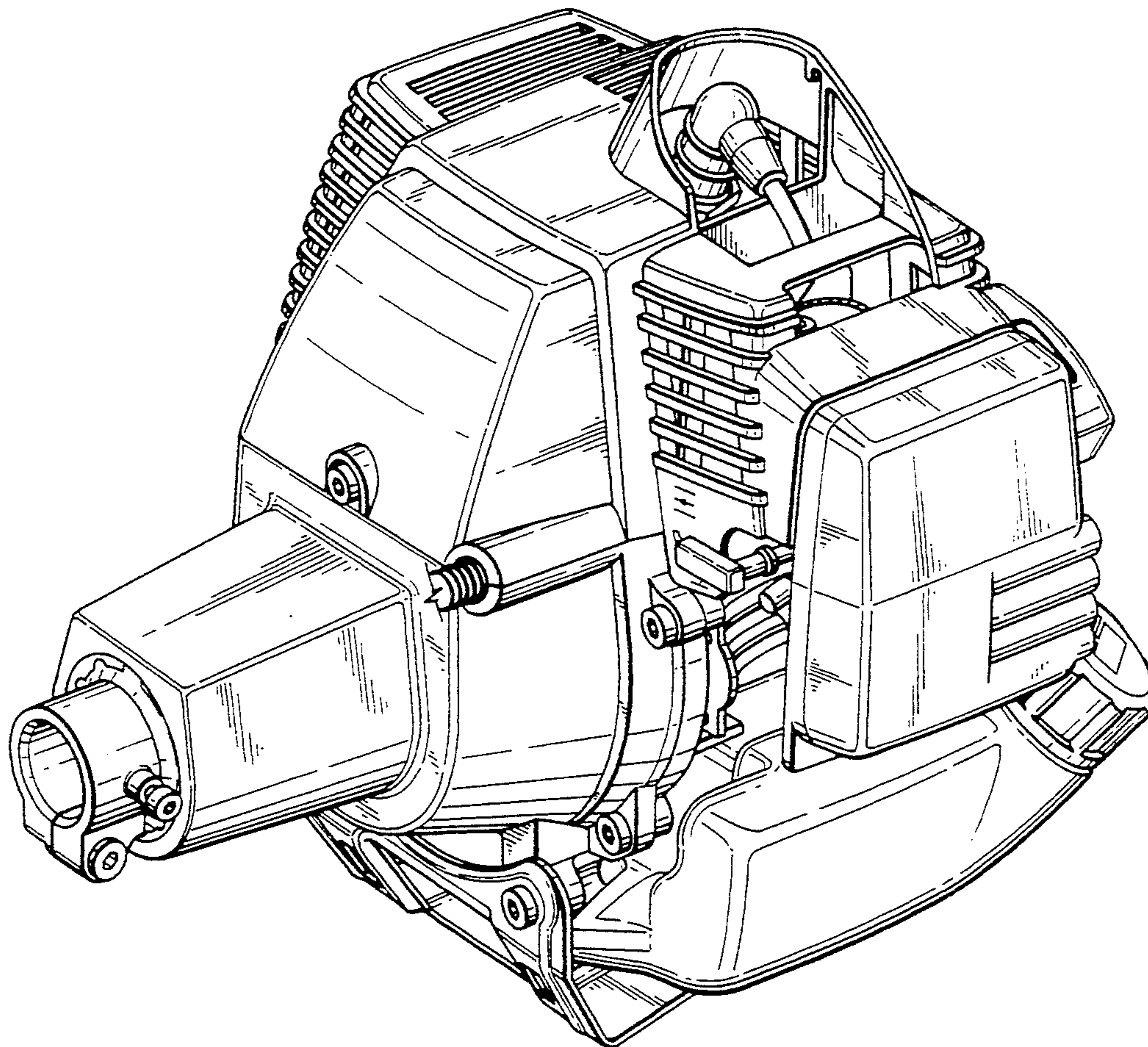
Primary Examiner—Ralf T. Seifert
Attorney, Agent, or Firm—Robert W. Becker & Associates

[57] **CLAIM**

The ornamental design for an engine for a trimmer, as shown and described.

DESCRIPTION

FIG. 1 is a perspective view showing a first embodiment of my novel design of an engine for a trimmer; FIG. 2 is a front view thereof; FIG. 3 is a side view of the right side thereof; FIG. 4 is a side view of the left side thereof; FIG. 5 is a rear view thereof; FIG. 6 is top view thereof; FIG. 7 is a bottom view thereof; FIG. 8 is a perspective view showing a second embodiment of my novel design of an engine for a trimmer; FIG. 9 is a front view thereof; FIG. 10 is a side view of the right side thereof; FIG. 11 is a side view of the left side thereof; FIG. 12 is a rear view thereof; FIG. 13 is top view thereof; and, FIG. 14 is a bottom view thereof.



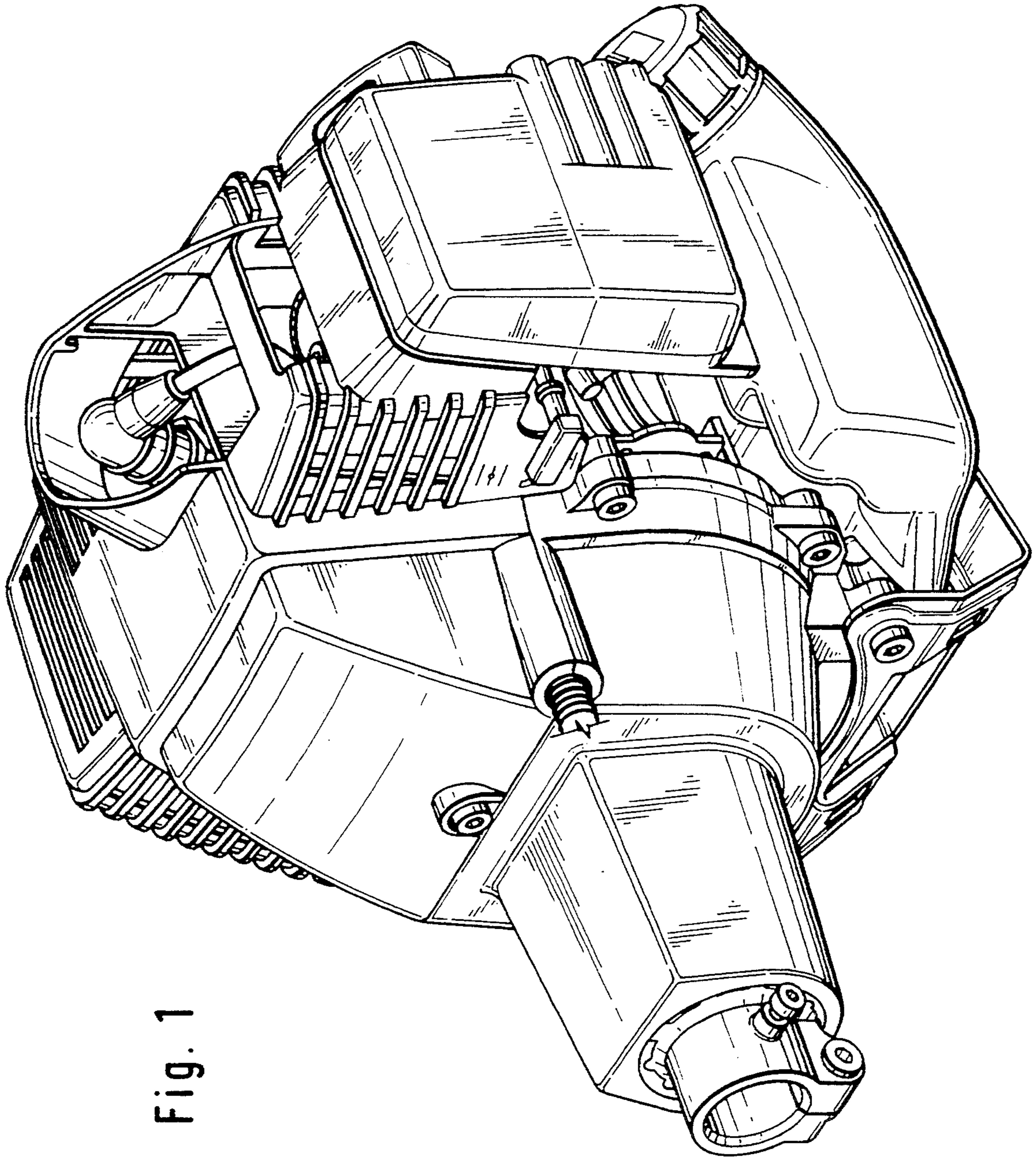


Fig. 1

Fig. 2

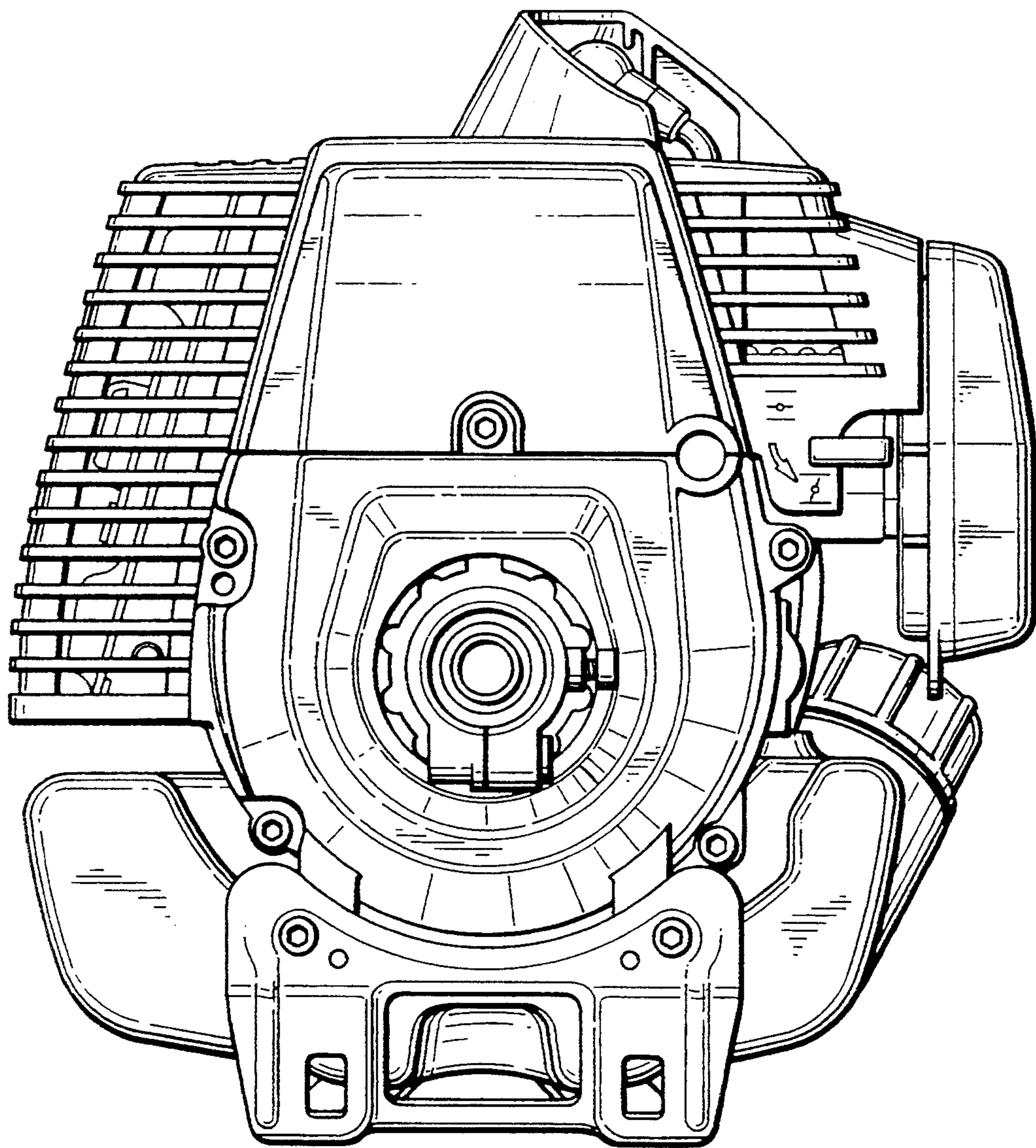


Fig. 3

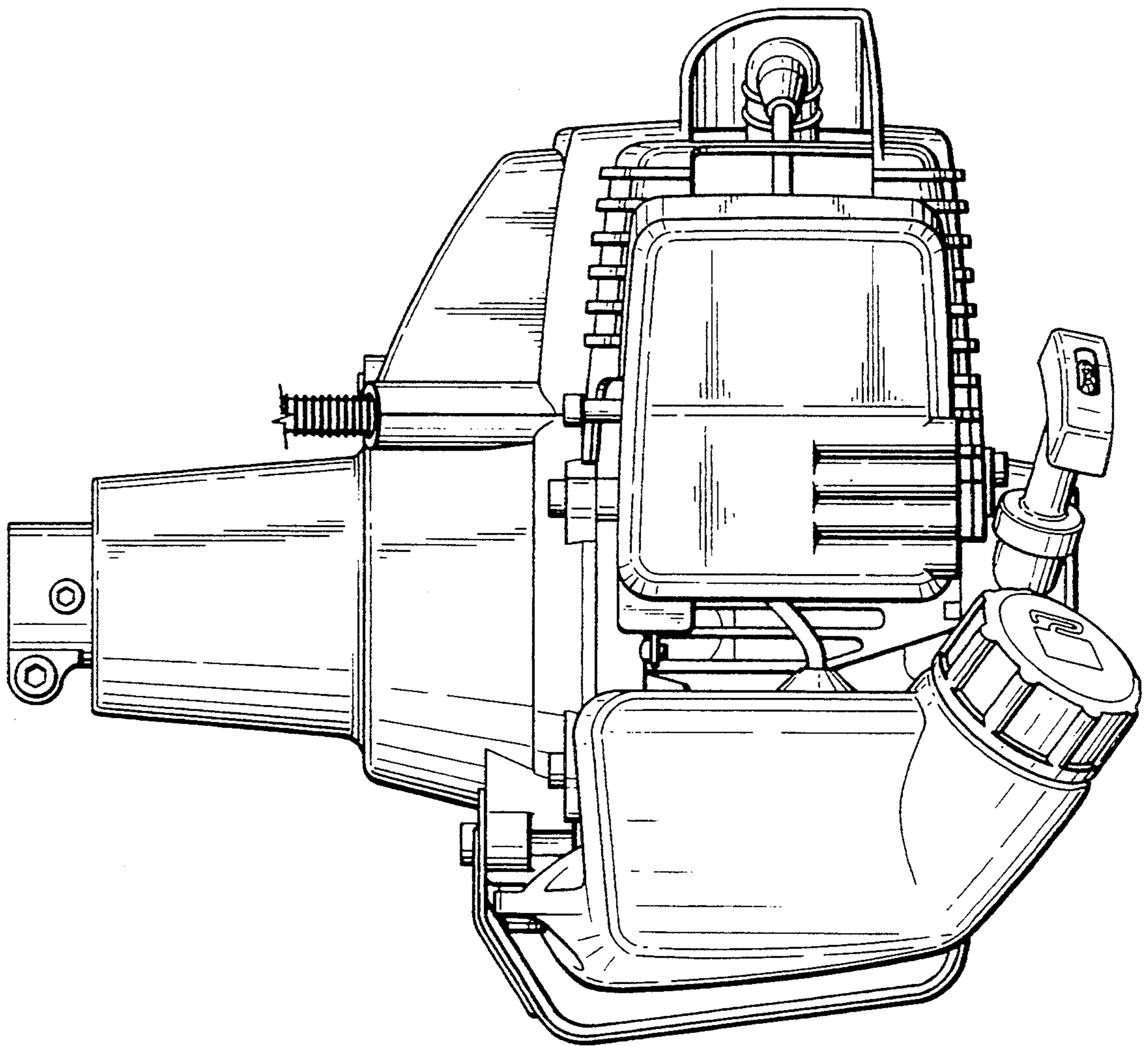


Fig. 4

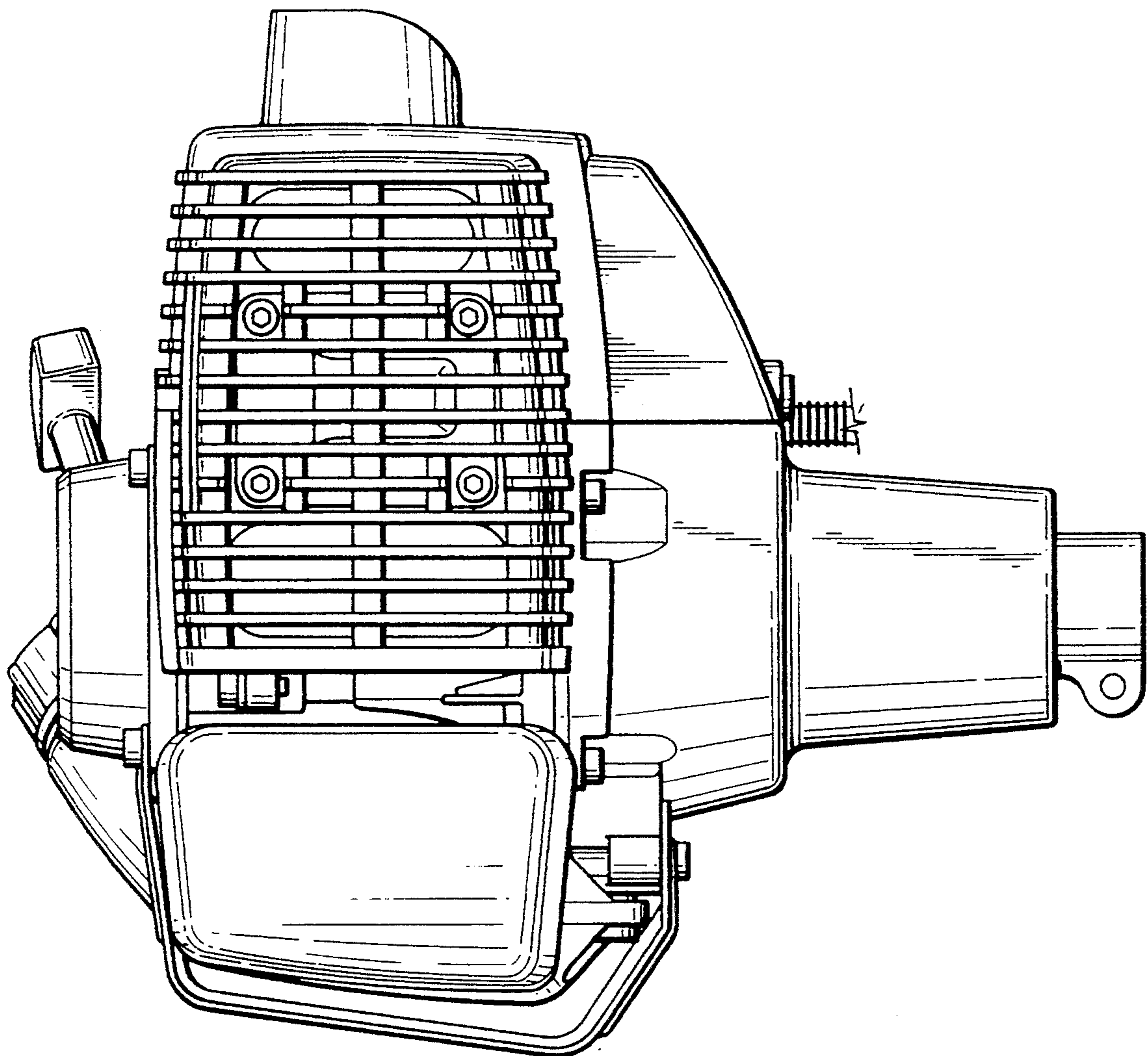


Fig. 5

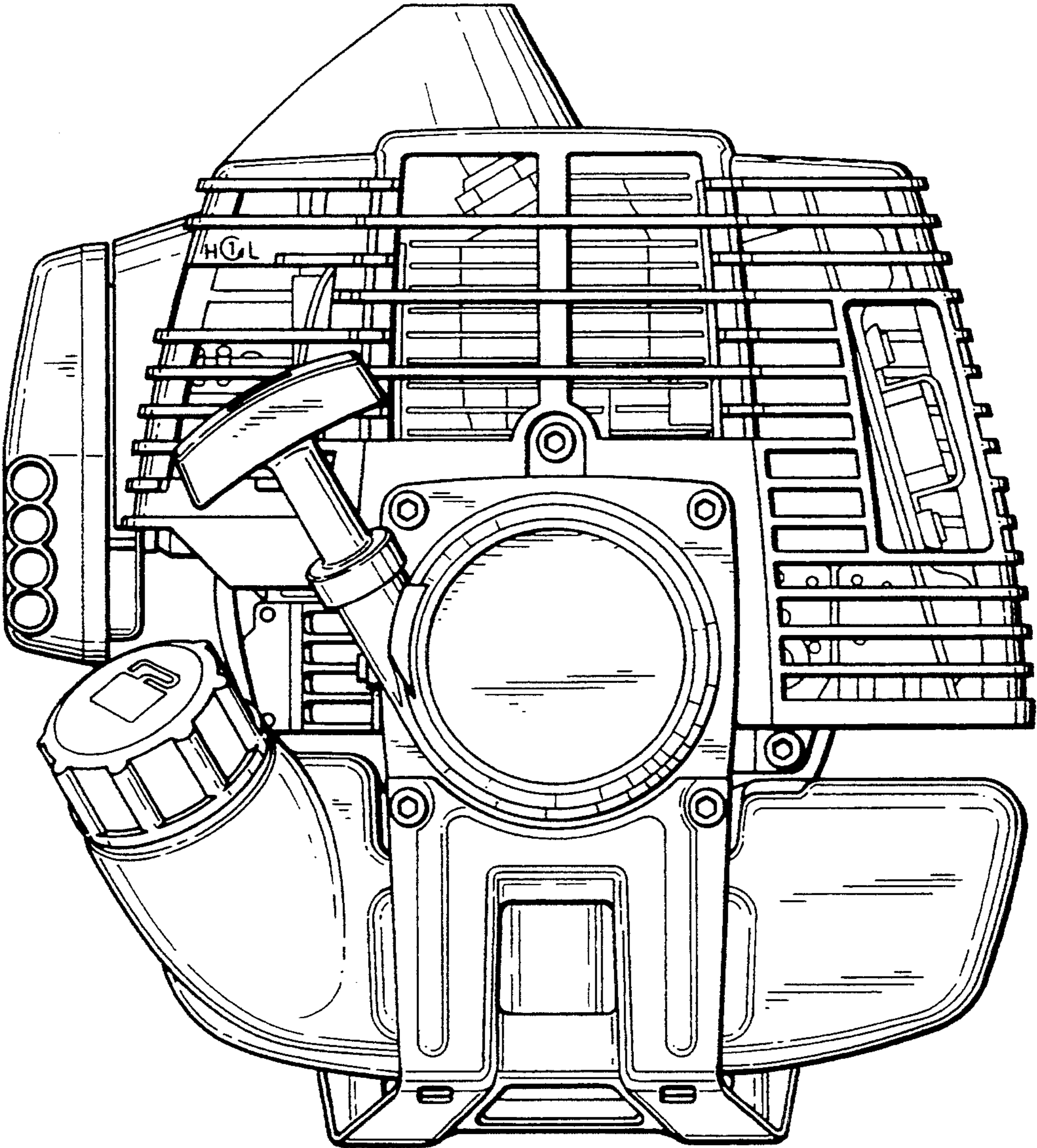


Fig. 6

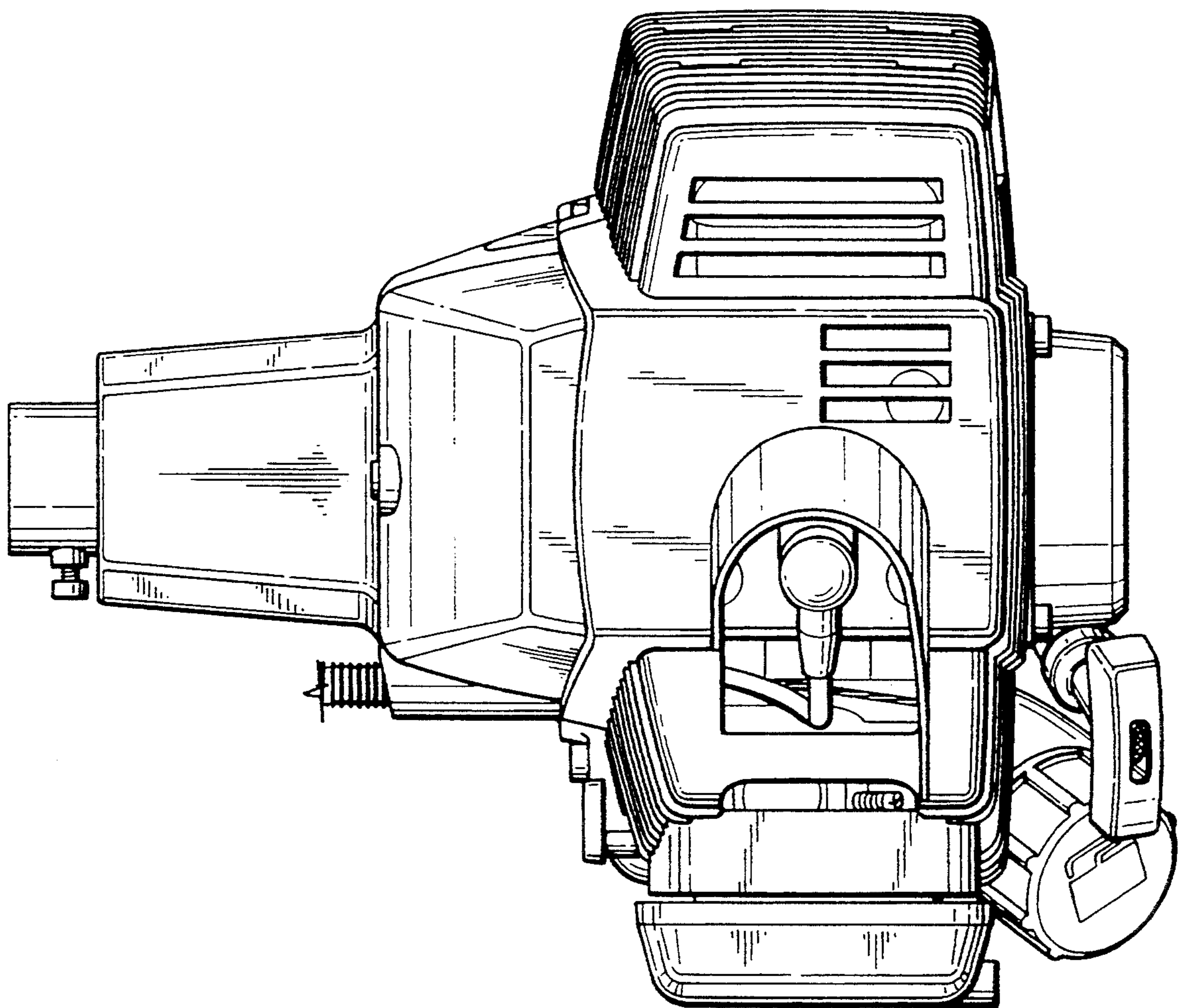
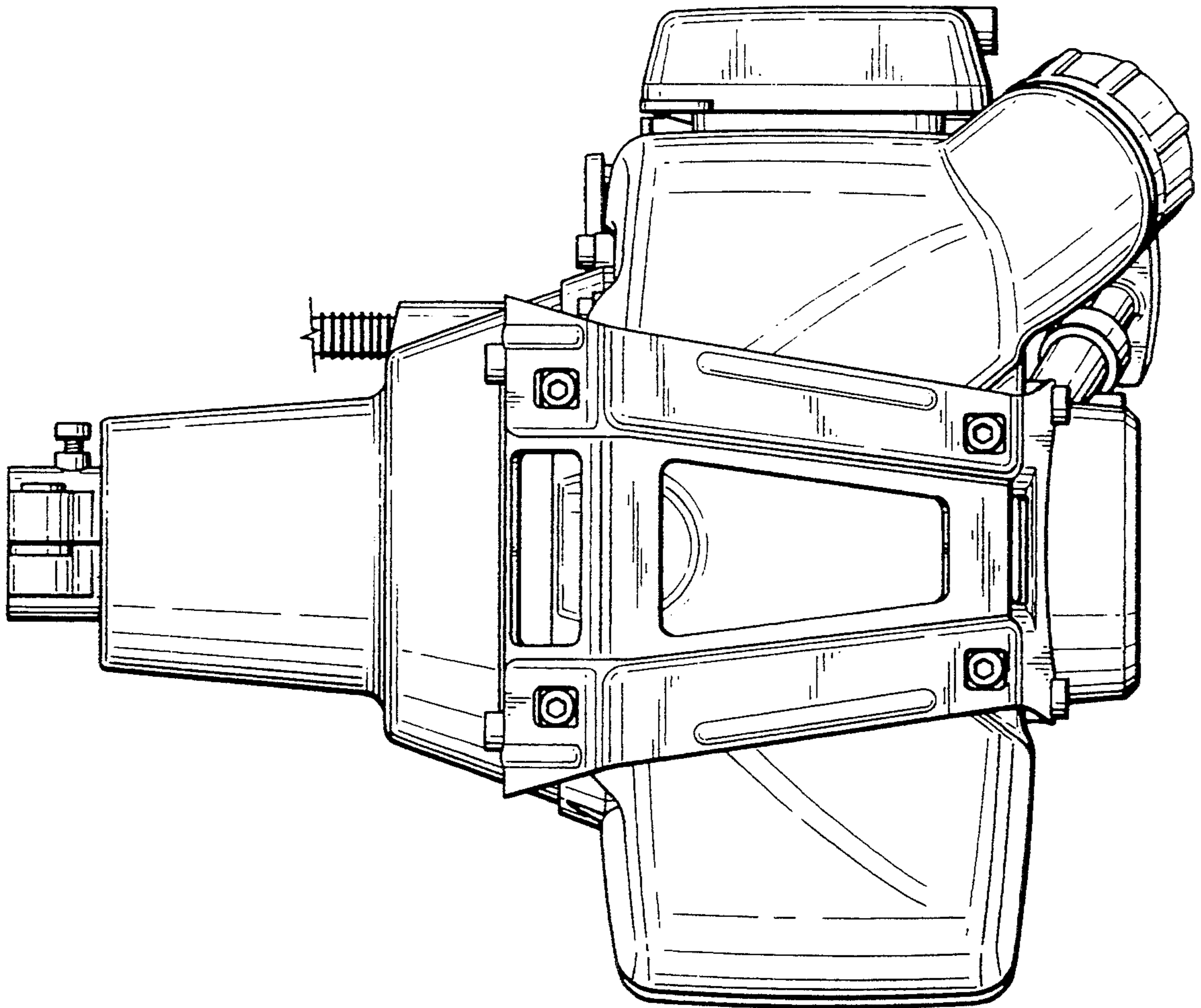


Fig. 7



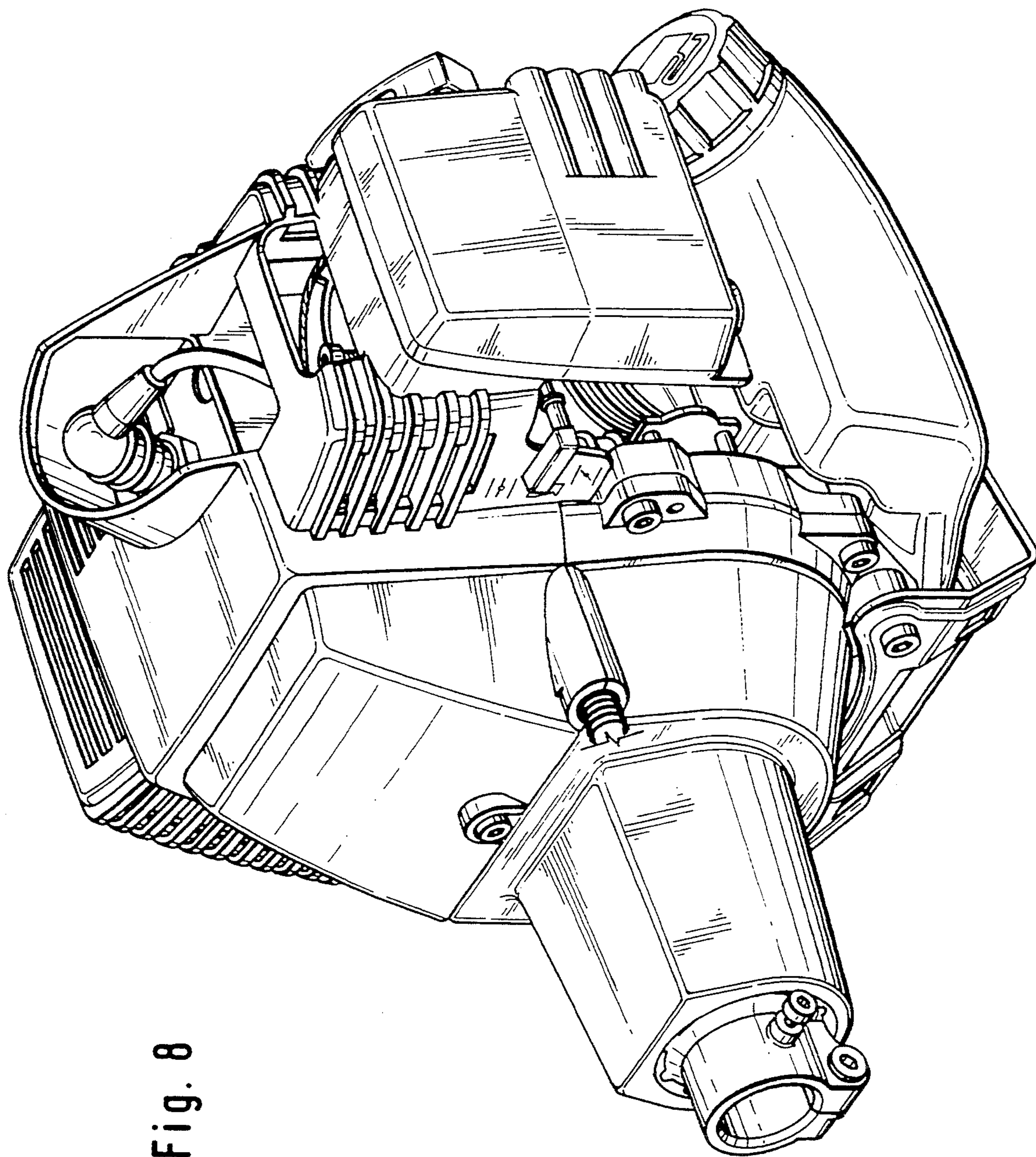


Fig. 8

Fig. 9

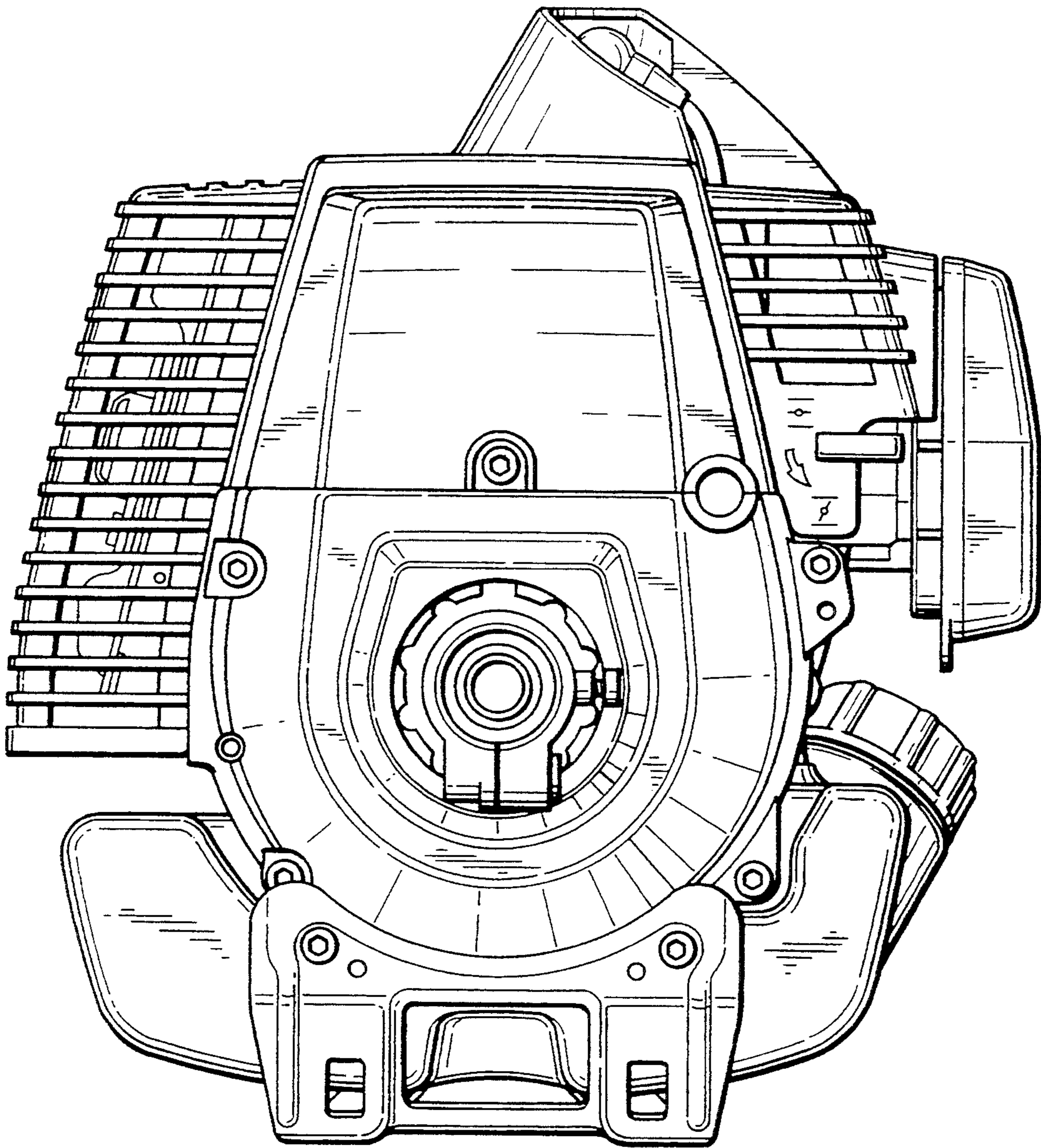


Fig. 10

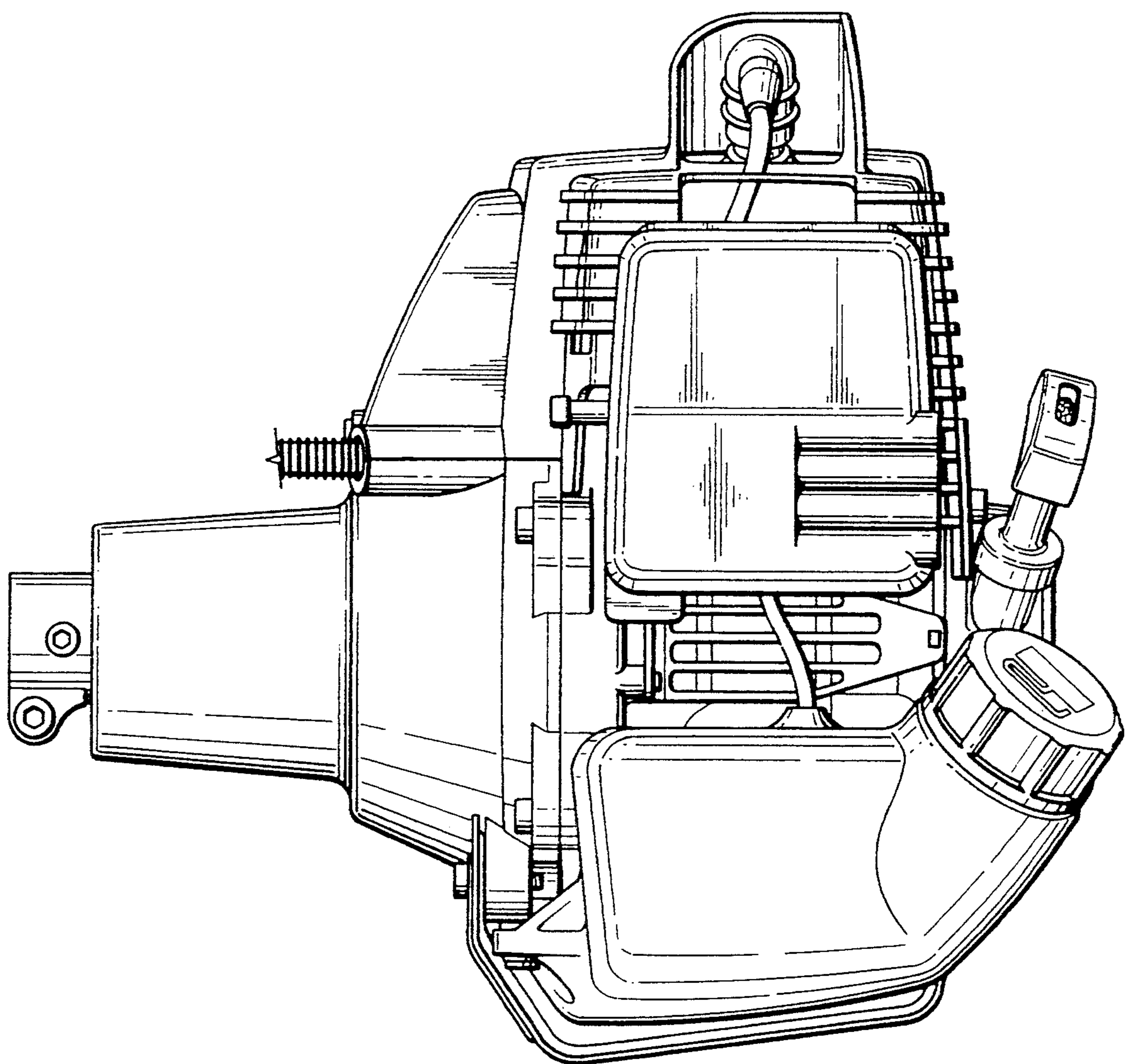


Fig. 11

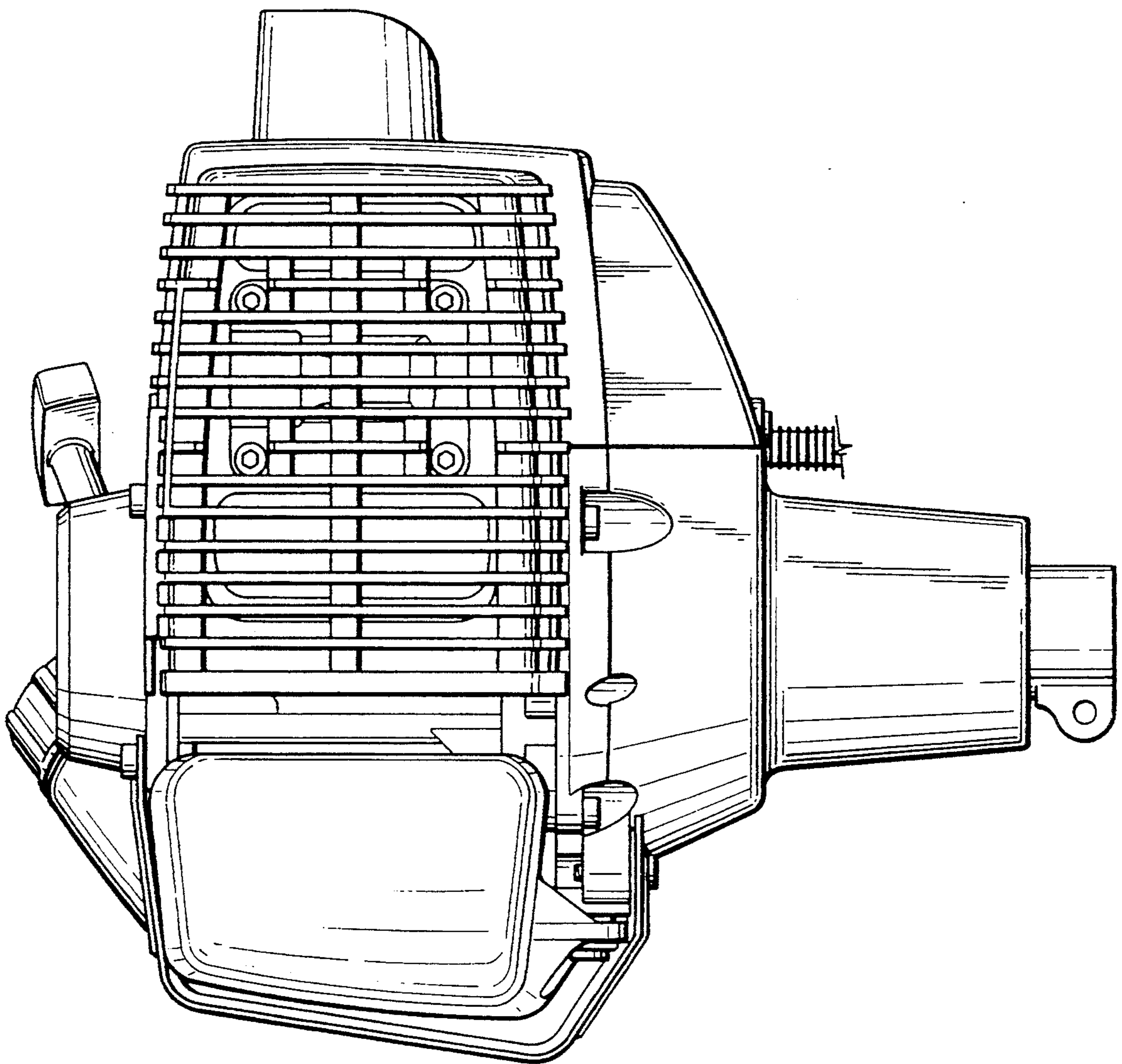


Fig. 12

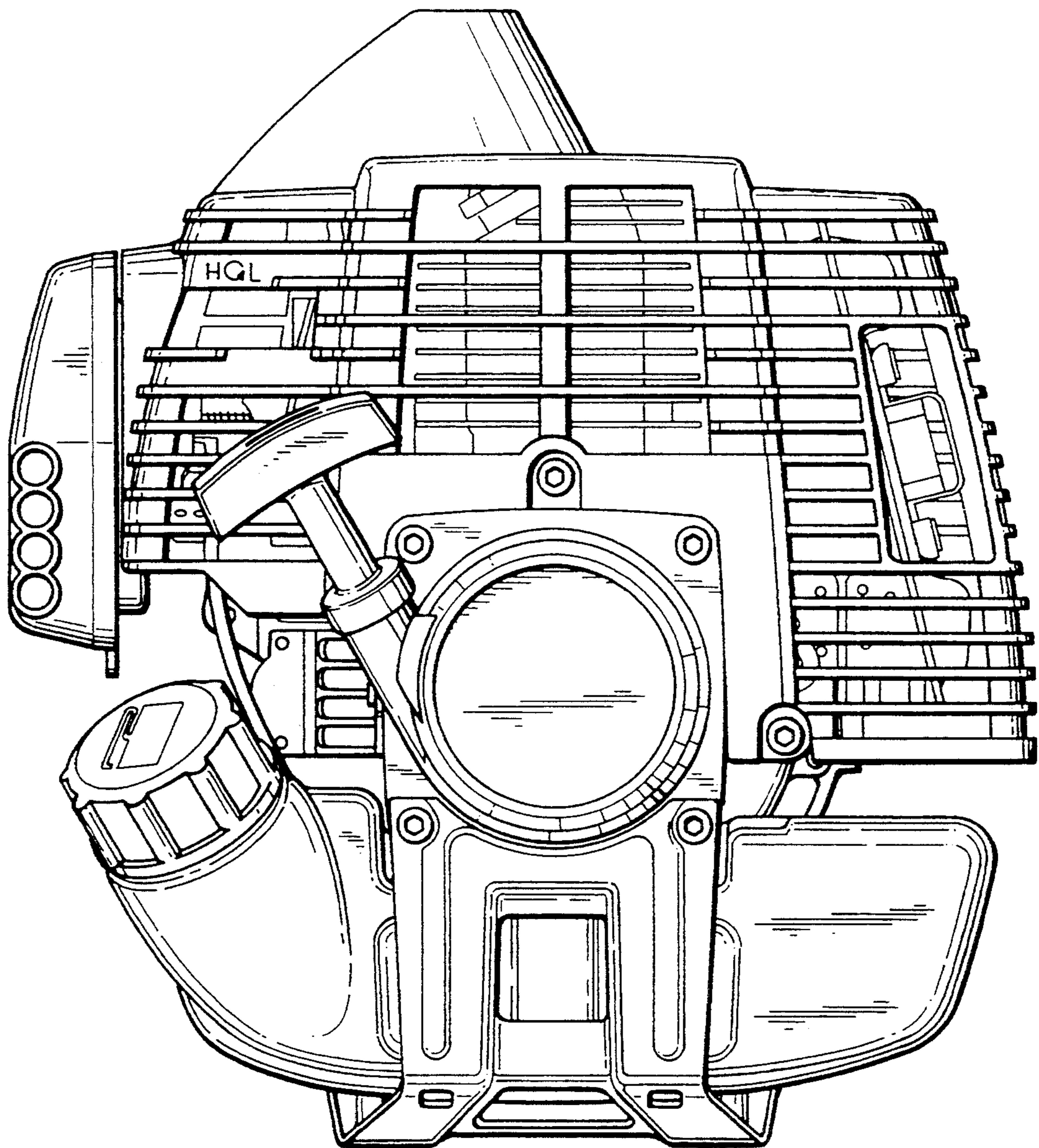


Fig. 13

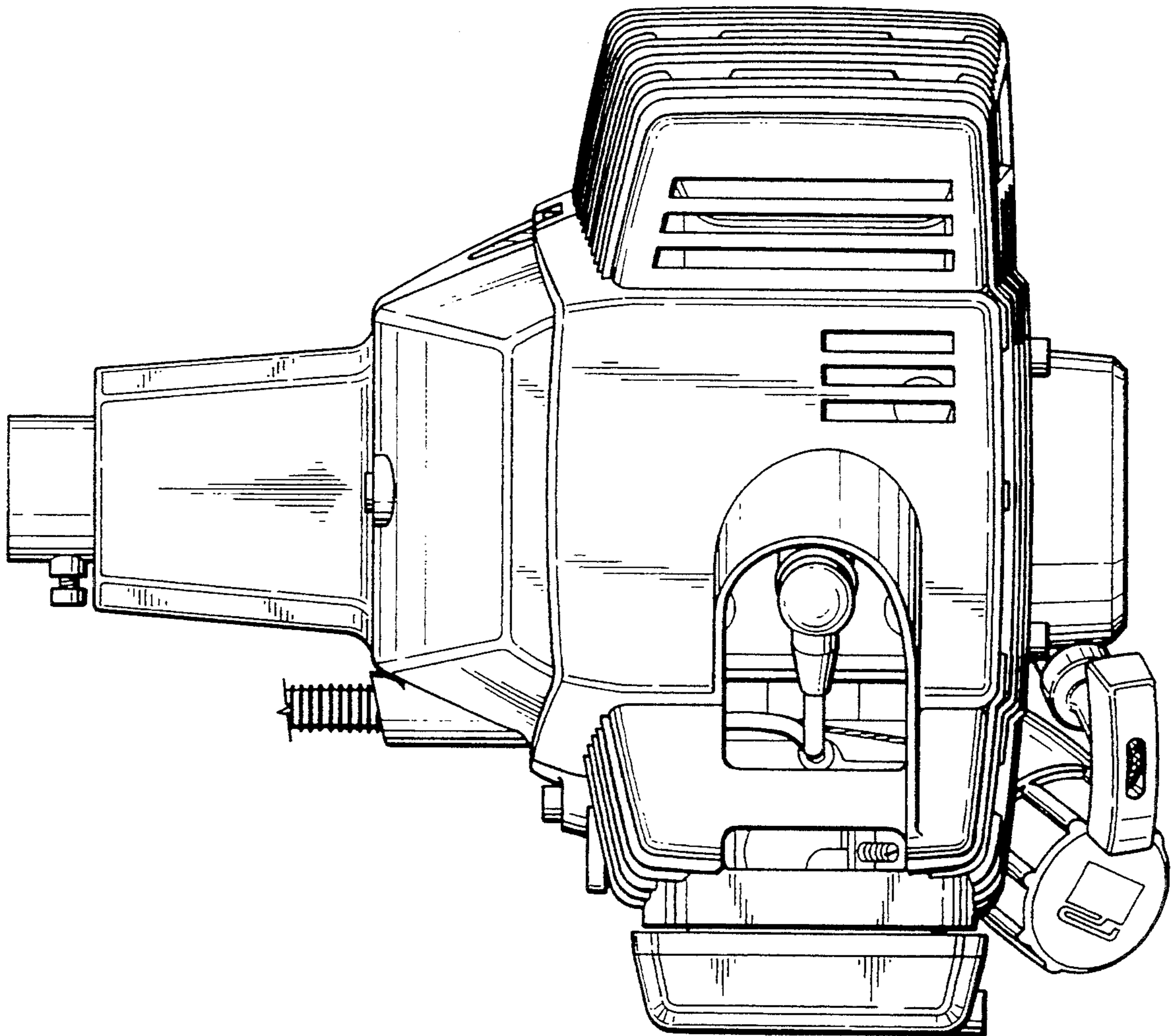


Fig. 14

