



US00D361335S

United States Patent [19]

[11] Patent Number: **Des. 361,335**

Rudkiewicz et al.

[45] Date of Patent: **** Aug. 15, 1995**

[54] **HOLDER FOR A PORTABLE TELEPHONE**

[75] Inventors: **Tomek Rudkiewicz; Robert Hellier,**
both of Turku, Finland

[73] Assignee: **Nokia Mobile Phones Ltd., Salo,**
Finland

[**] Term: **14 Years**

[21] Appl. No.: **24,822**

[22] Filed: **Jun. 21, 1994**

[30] Foreign Application Priority Data

Dec. 22, 1993 [GB] United Kingdom 2035993

[52] U.S. Cl. **D14/253; D14/142**

[58] Field of Search D14/251, 253, 240, 140,
D14/142, 138, 114, 149-151; D13/107, 108,
110; 379/58-61, 440, 441, 454, 455, 419, 420,
428

[56] References Cited

U.S. PATENT DOCUMENTS

- D. 276,809 12/1984 Taylor D14/253
- D. 285,070 8/1986 Beaumont D14/253
- D. 306,594 3/1990 Taylor D14/253
- D. 316,416 4/1991 Cant et al. D14/252

- D. 319,052 8/1991 Major D14/138
- D. 319,061 8/1991 Powell et al. D14/240
- D. 320,991 10/1991 Nagai et al. D14/138 X
- D. 321,885 11/1991 Sheldrake D14/253
- D. 344,261 2/1994 Watanabe D13/107
- D. 344,708 3/1994 Ho D13/108
- D. 348,667 7/1994 Oksman et al. D14/148
- D. 350,528 9/1994 Bent et al. D13/108
- D. 350,545 9/1994 Olkkola et al. D14/253
- 5,052,943 10/1991 Davis 439/357
- 5,230,016 7/1993 Yasuda 379/455 X
- 5,253,292 10/1993 Fluder et al. 379/454 X
- 5,301,224 4/1994 Major 379/58

Primary Examiner—Jeffrey Asch
Attorney, Agent, or Firm—Perman & Green

[57] CLAIM

The ornamental design for a holder for a portable telephone, as shown and described.

DESCRIPTION

FIG. 1 is a front perspective view from above and one side of a holder for a portable telephone showing our new design the inside left being a mirror image of the inside right as shown;
FIG. 2 is a side view;
FIG. 3 is a rear view; and,
FIG. 4 is a bottom plan view.

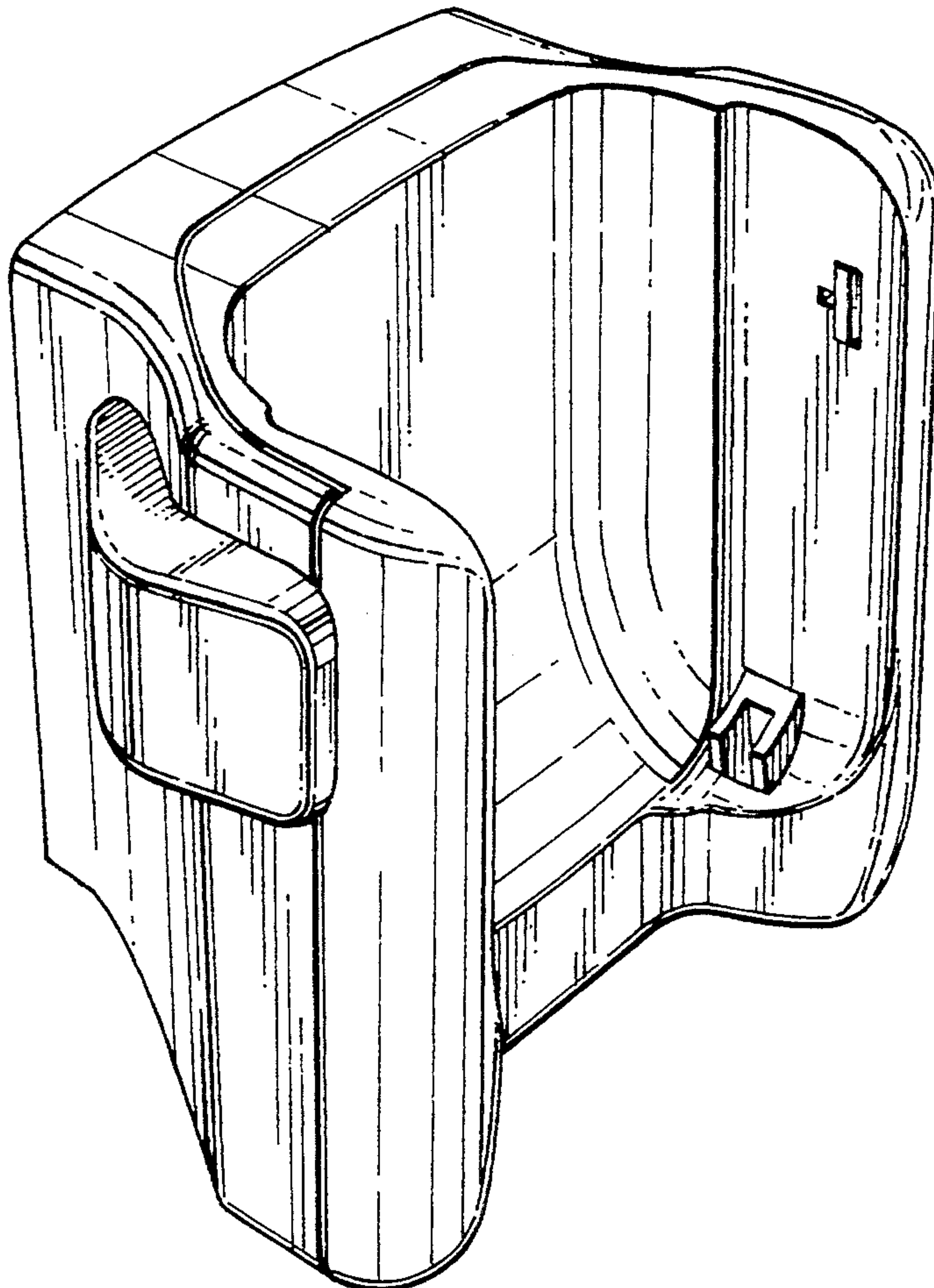


Fig.1.

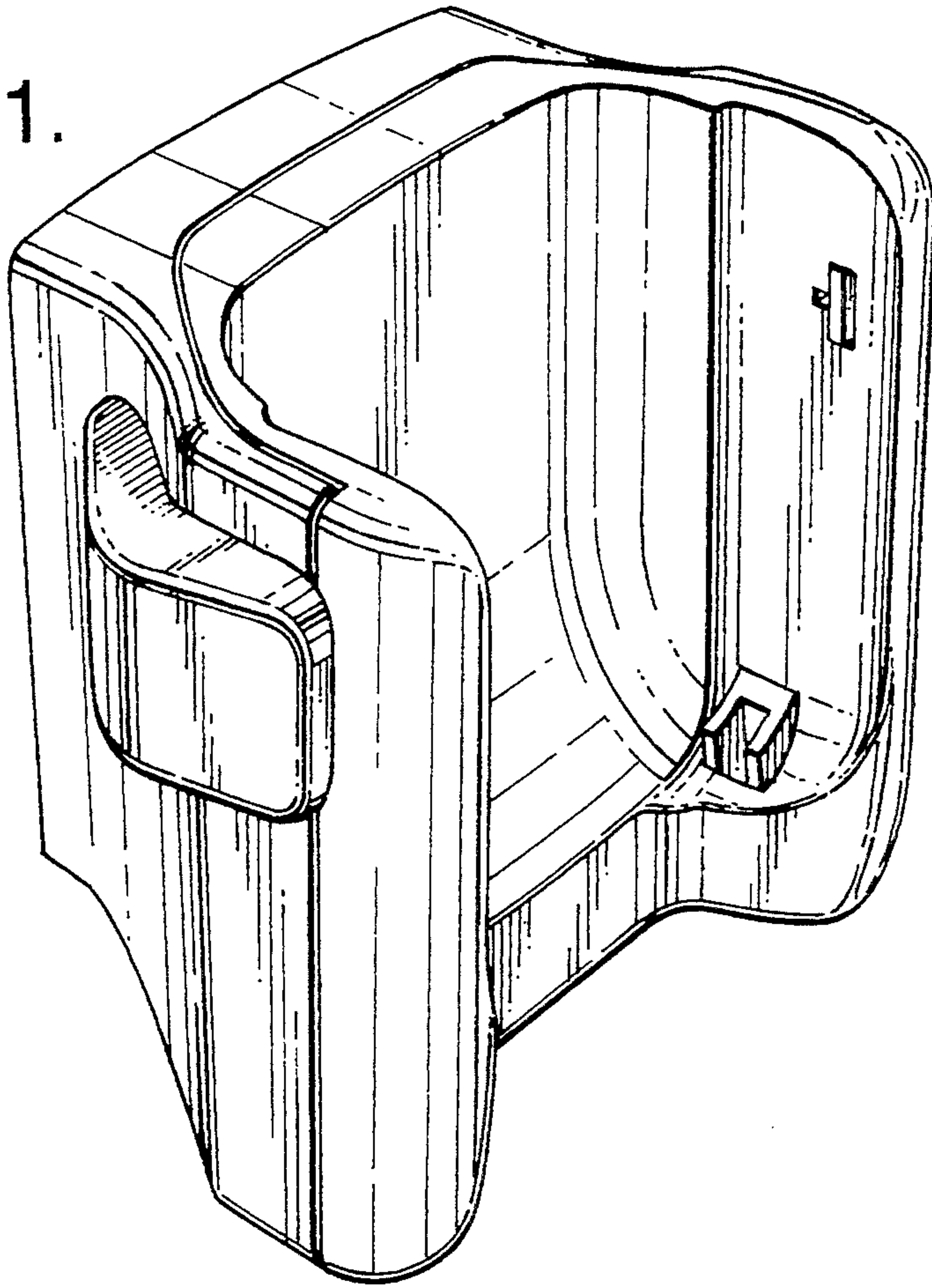


Fig.2.

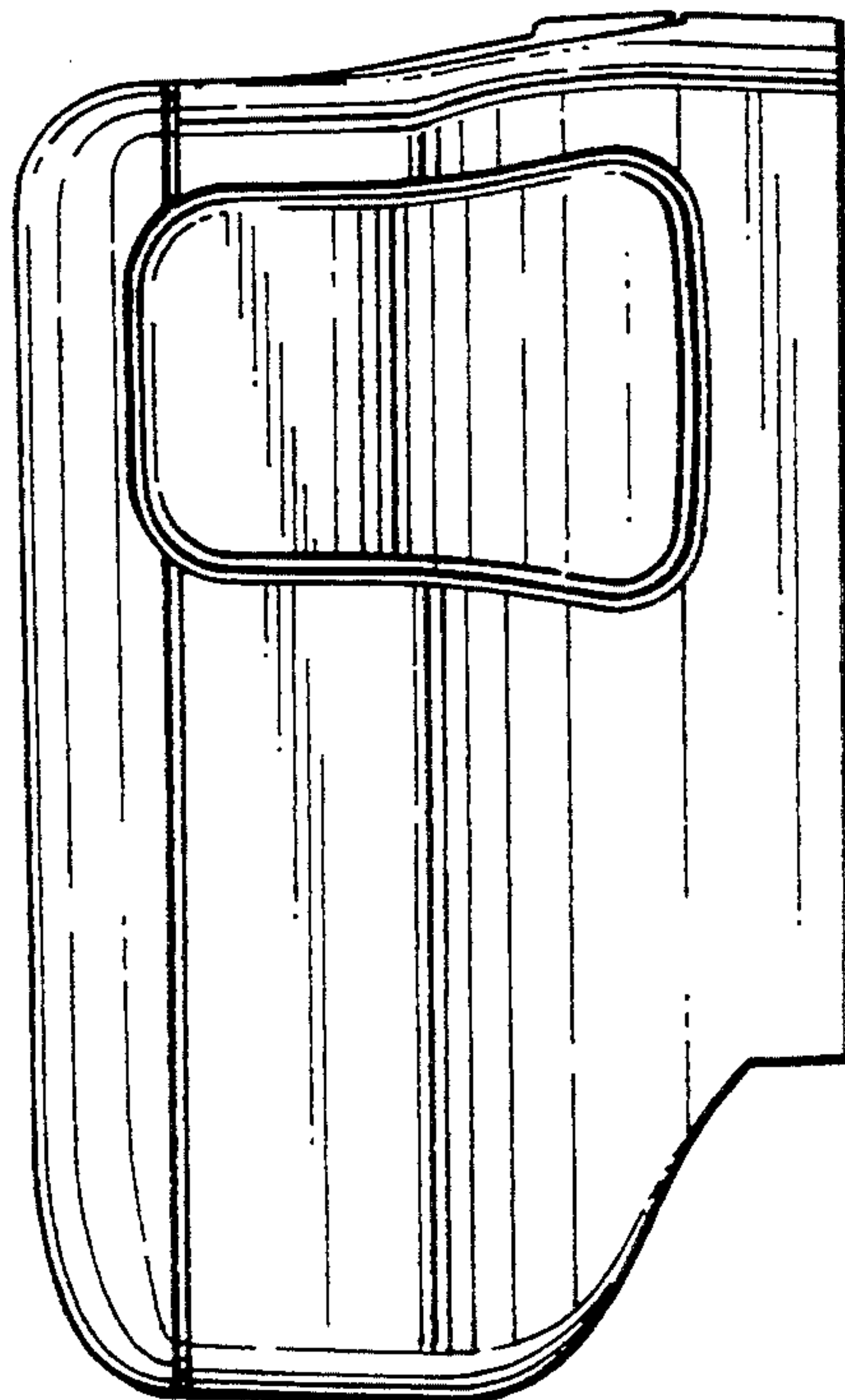


Fig.3.

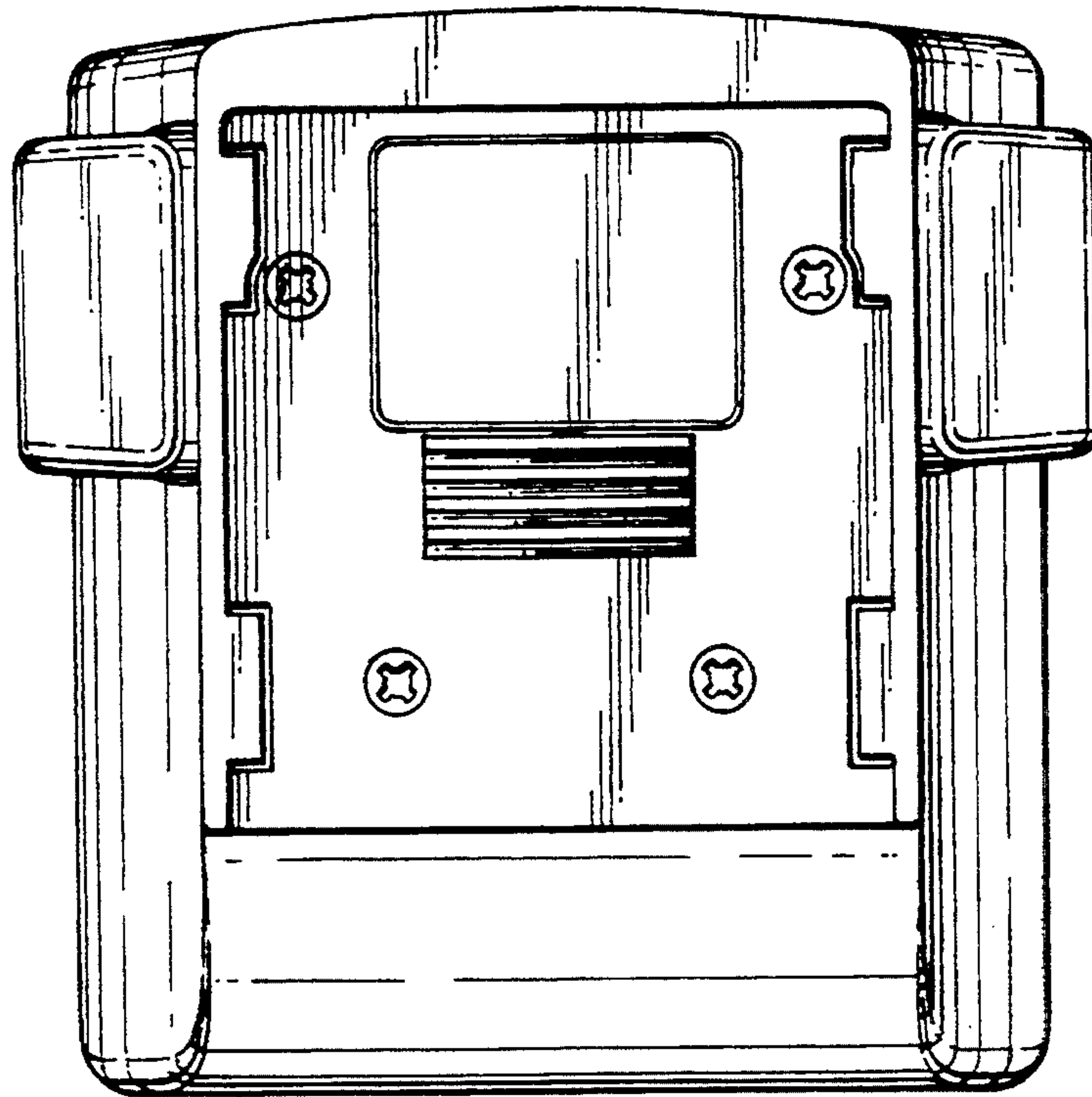


Fig.4.

