



US00D361334S

United States Patent [19]

[11] Patent Number: **Des. 361,334**

Chan

[45] Date of Patent: **** Aug. 15, 1995**

[54] TELEPHONE RACK

[76] Inventor: **Thomas Chan**, 8F-6, No. 100, Sec.2, Hoping E Rd., Taipei, Taiwan

[**] Term: **14 Years**

[21] Appl. No.: **16,921**

[22] Filed: **Dec. 29, 1993**

[52] U.S. Cl. **D14/251**

[58] Field of Search D14/114, 140, 240, 251, D14/252, 253, 299; 379/455, 454, 457, 441; 248/458, 346, 122, 281.1; D6/418, 511; D19/87, 92

4,801,120	1/1989	Gregoire	248/458 X
4,854,538	8/1989	Von Schalscha	248/346
4,923,154	5/1990	Konkel	D14/114 X
5,071,049	12/1991	Mozer	379/455

OTHER PUBLICATIONS

Micro Computer Accessories, Inc.

Primary Examiner—Jeffrey Asch

Attorney, Agent, or Firm—Browdy & Neimark

[57] CLAIM

A new original design for telephone rack, as shown.

DESCRIPTION

FIG. 1 is the perspective view of a design for telephone rack showing my new design;

FIG. 2 is the front elevational view thereof;

FIG. 3 is the rear elevational view thereof;

FIG. 4 is the left side elevational view thereof;

FIG. 5 is the right side elevational view thereof;

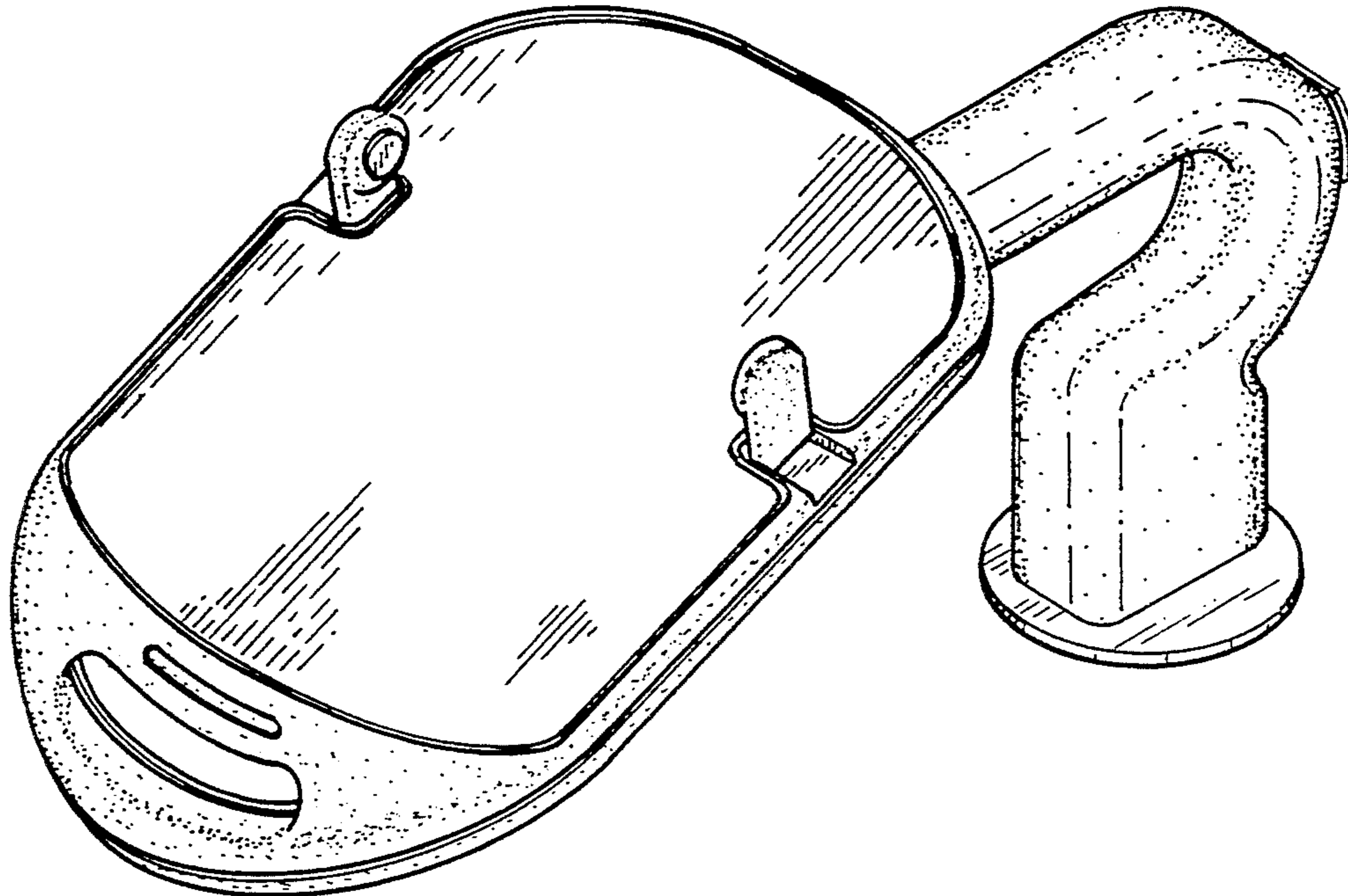
FIG. 6 is the top plan view thereof; and,

FIG. 7 is the bottom plan view thereof.

[56] References Cited

U.S. PATENT DOCUMENTS

D. 34,084	2/1901	Griggs	D14/251
D. 320,980	10/1991	Howard et al.	D14/114
D. 321,351	11/1991	Kirchner	D14/251
D. 331,921	12/1992	Gutke et al.	D14/114
D. 347,841	6/1994	Rossman et al.	D14/114



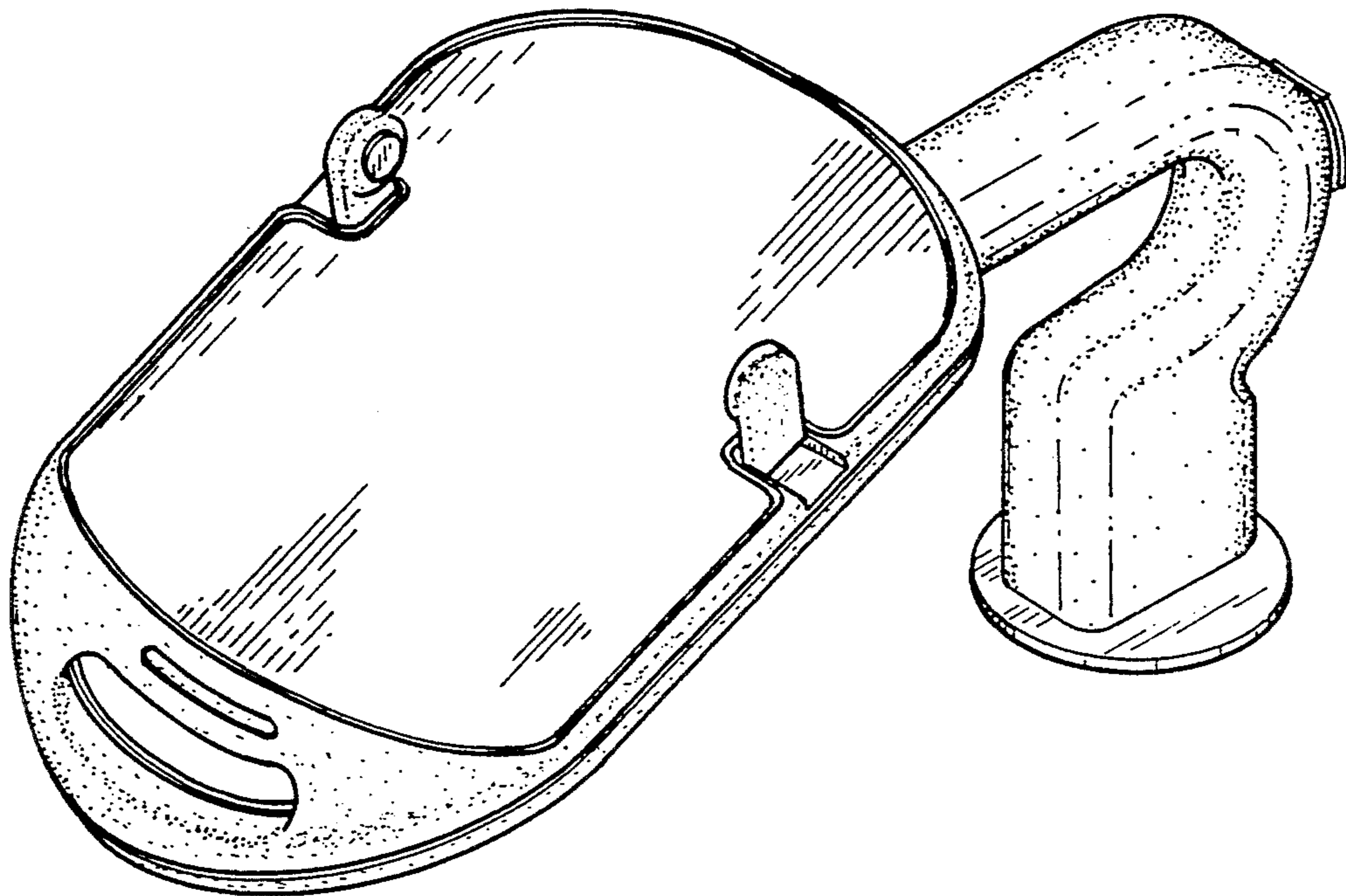


FIG .1

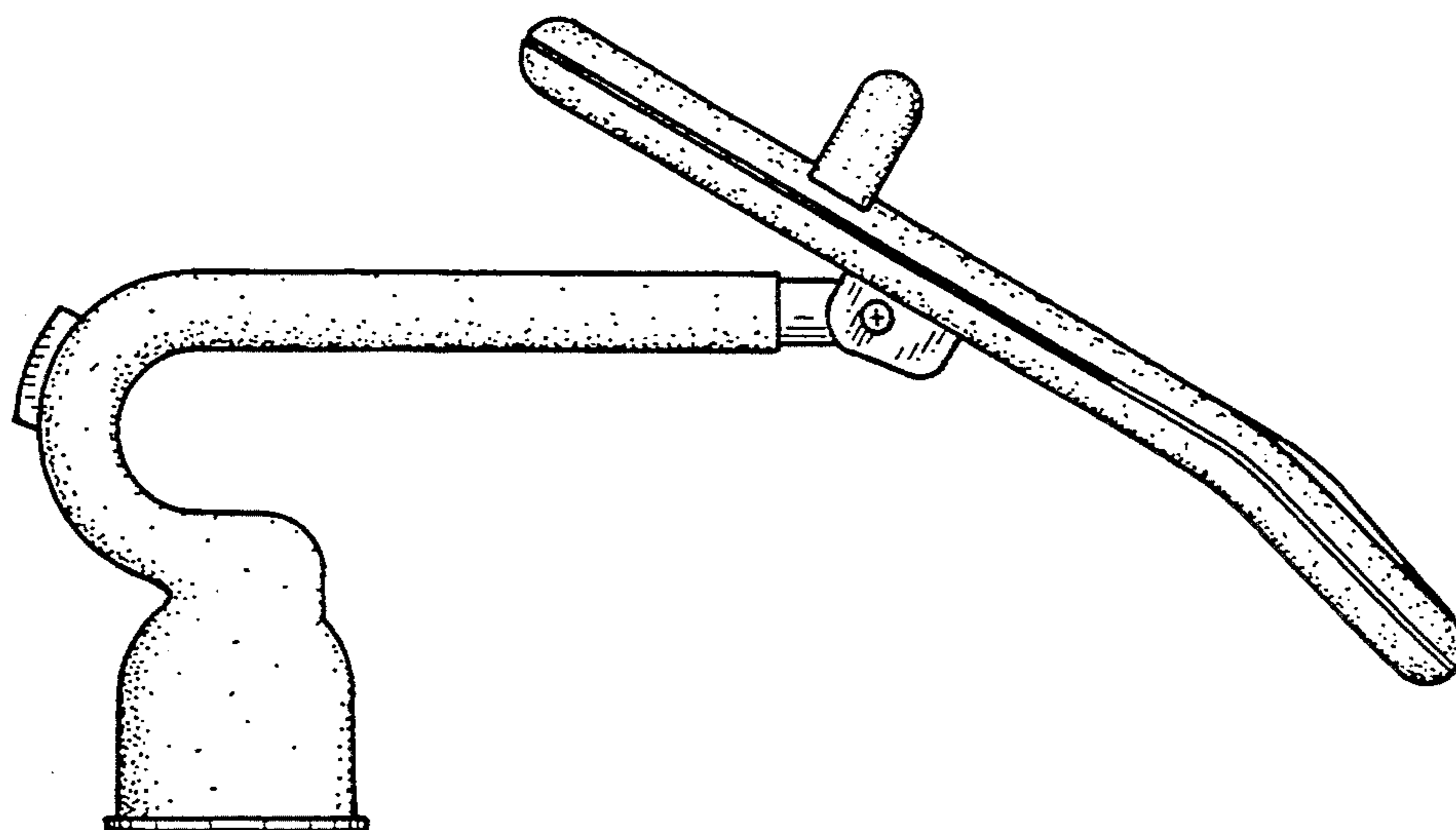


FIG. 3

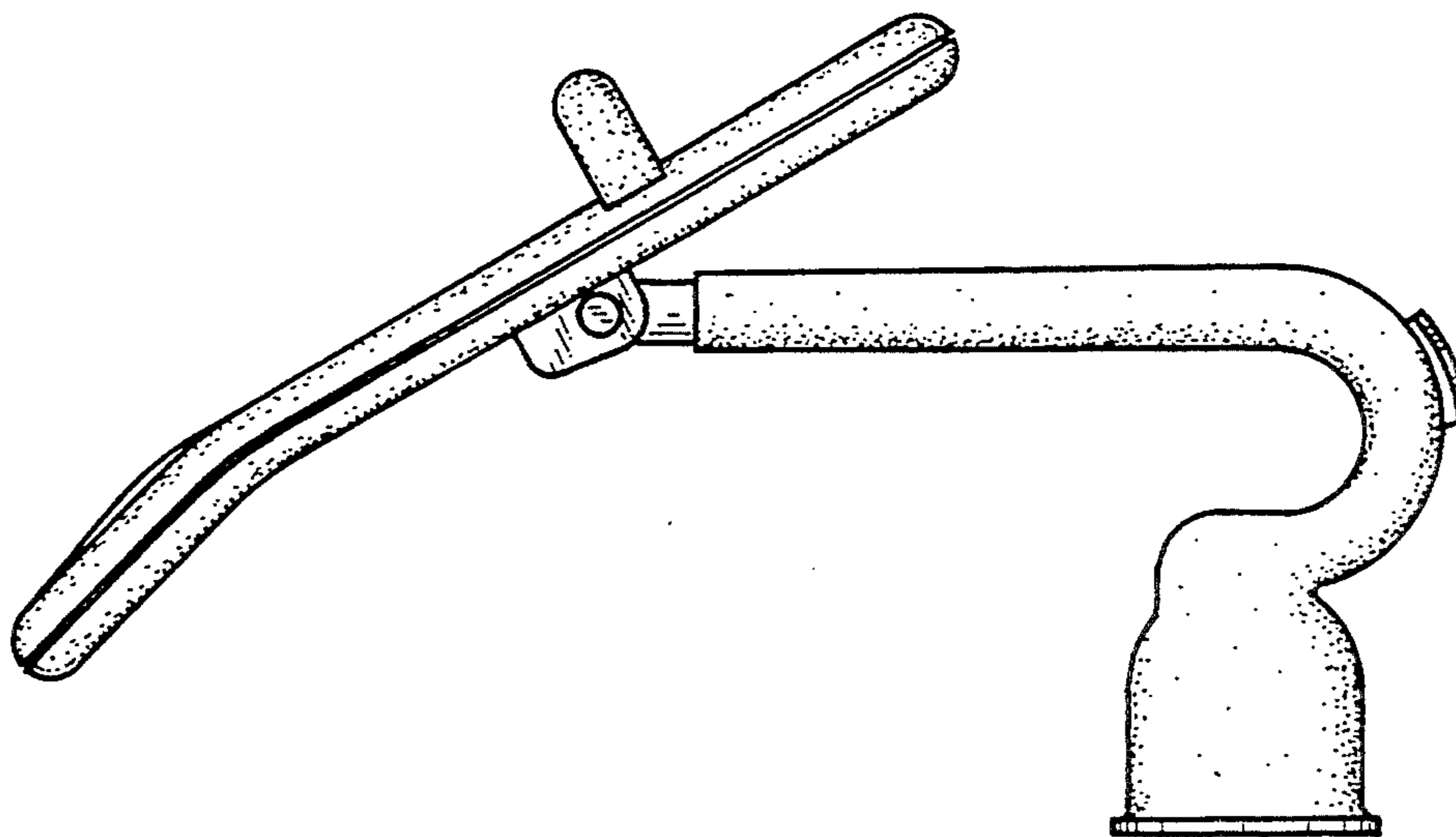


FIG. 2

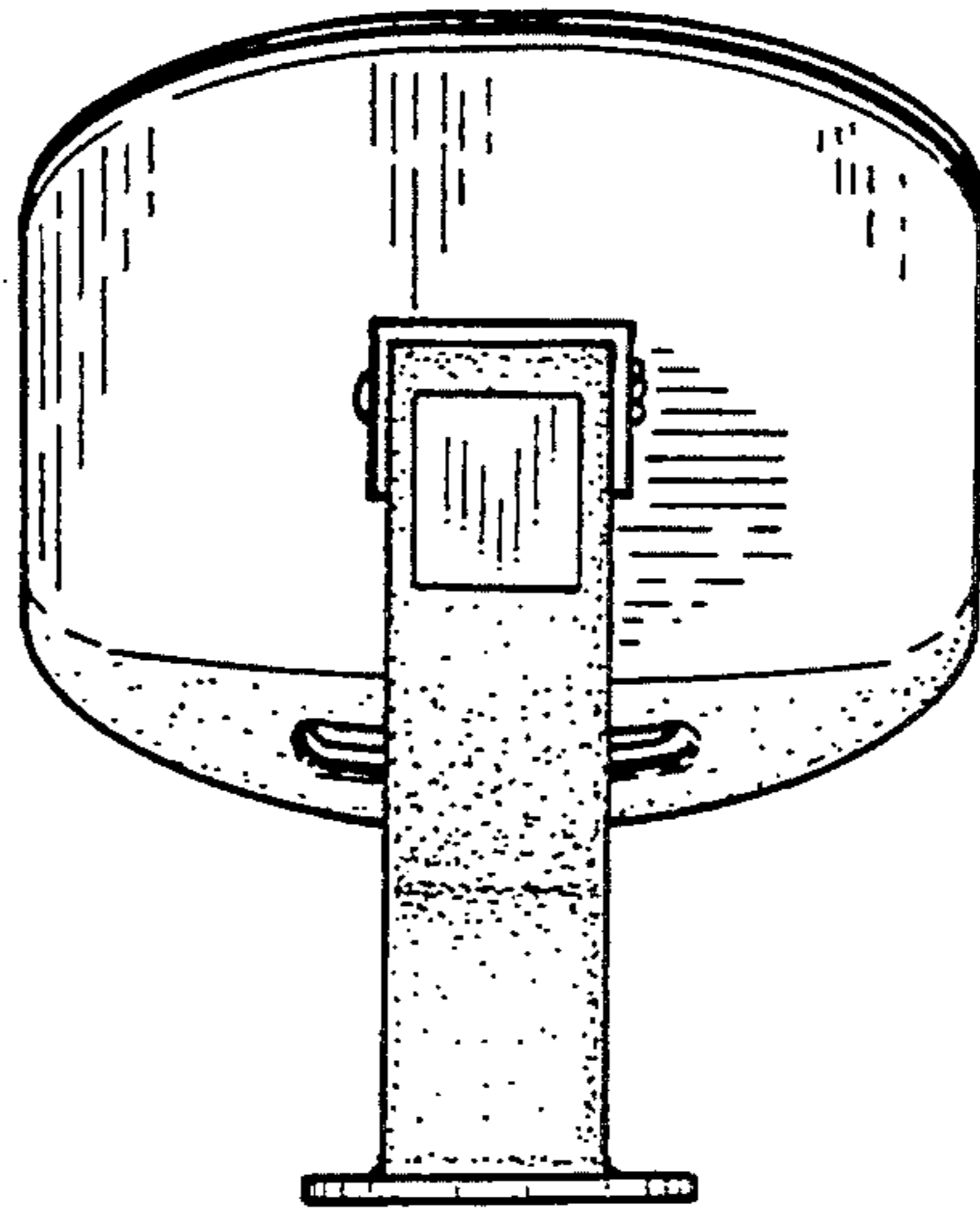


FIG. 5

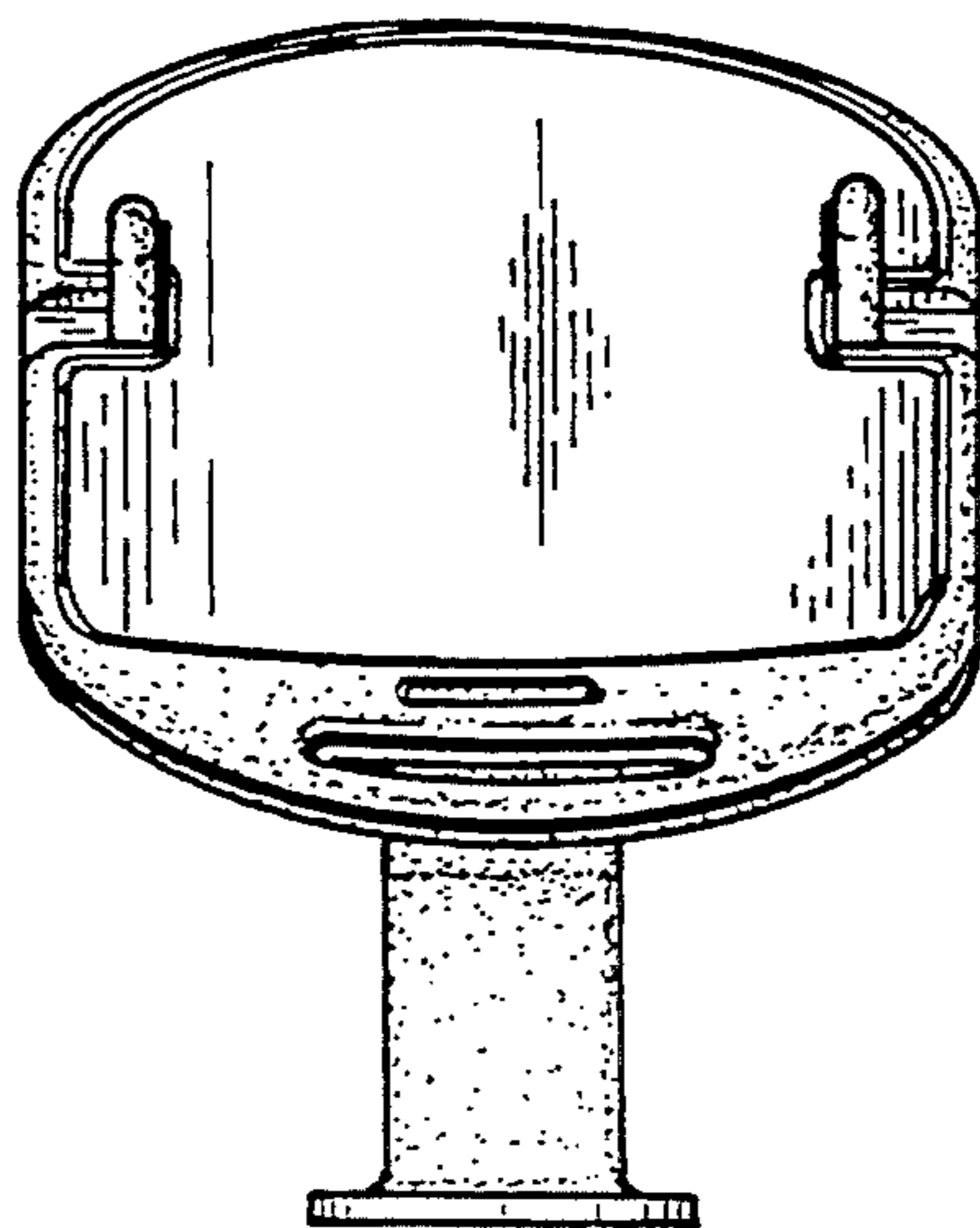


FIG. 4

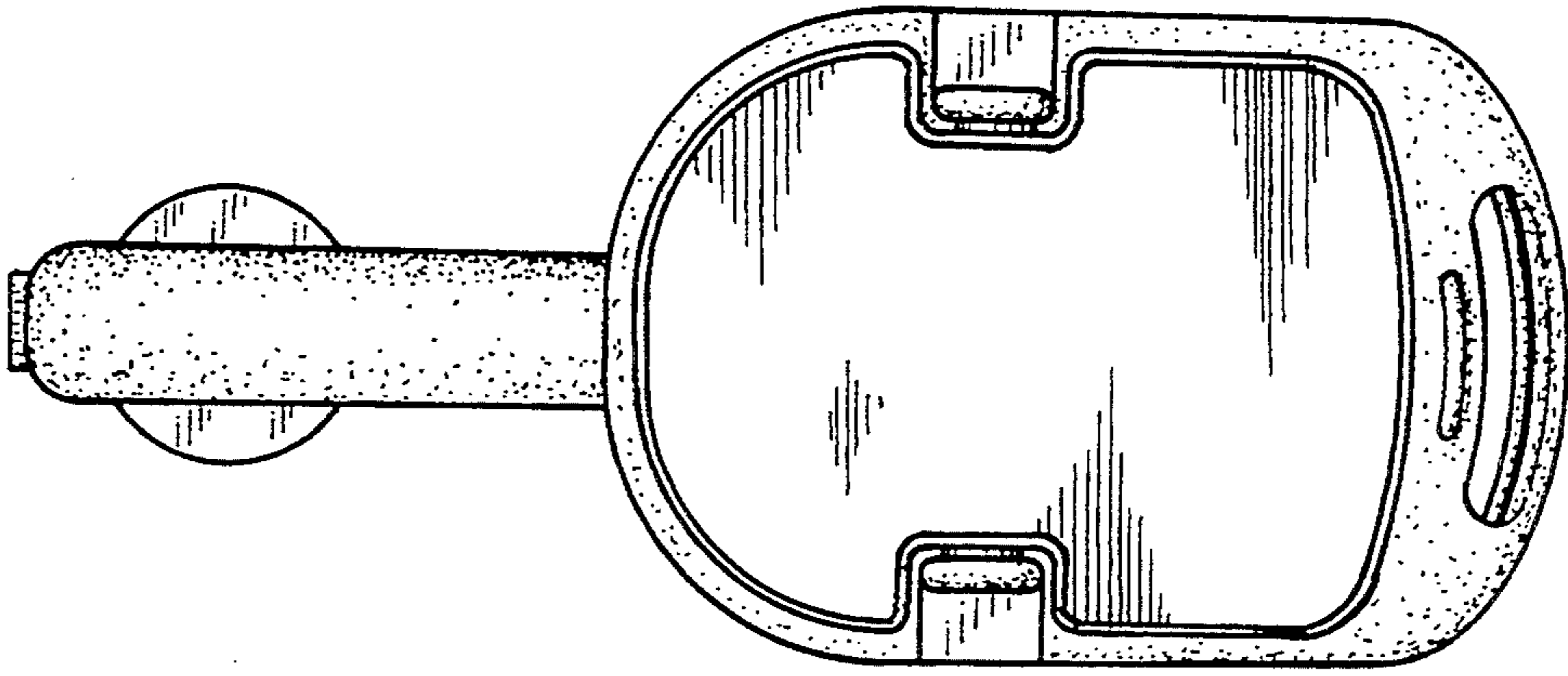


FIG. 6

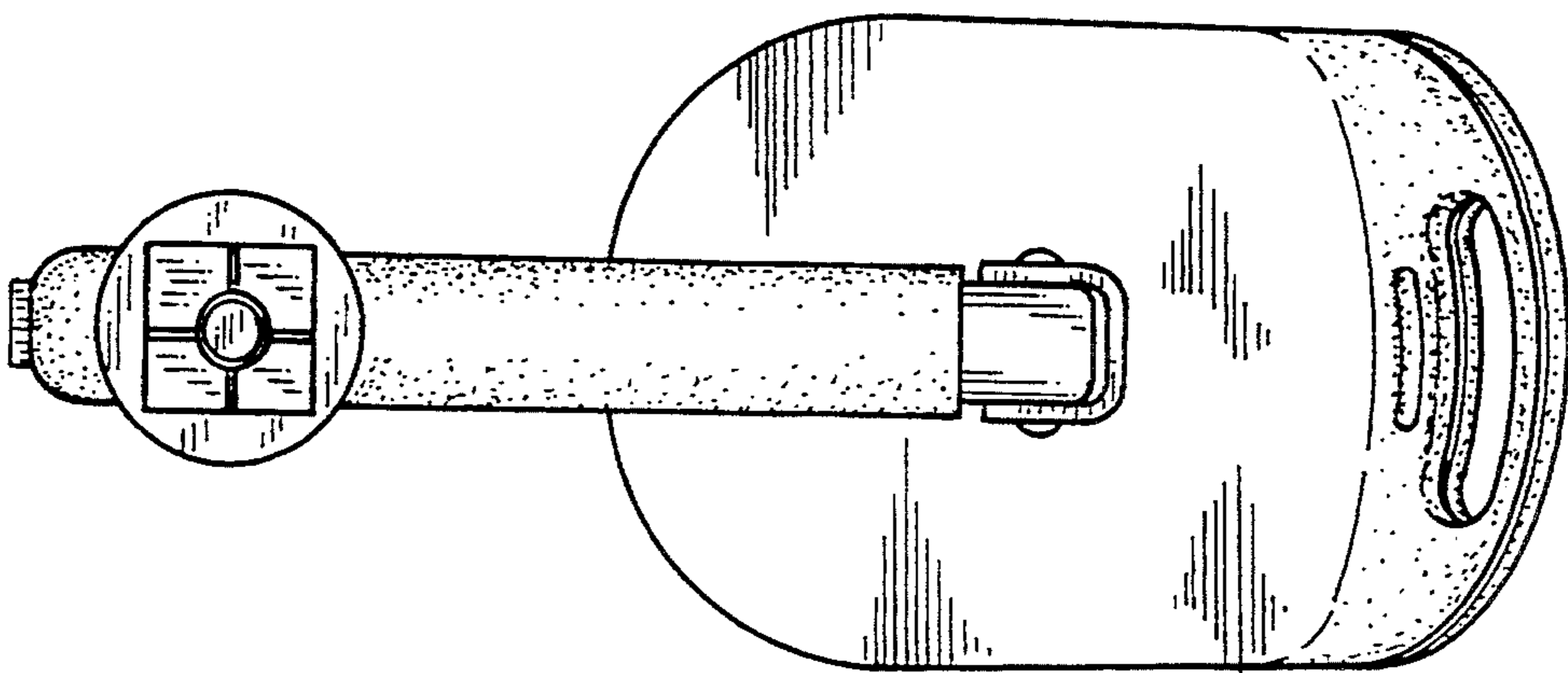


FIG. 7