



US00D361332S

United States Patent [19]

[11] Patent Number: Des. 361,332

Scheid et al.

[45] Date of Patent: ** Aug. 15, 1995

[54] **SELECTIVE CALL MESSAGE CARD**

[75] Inventors: **William J. Scheid**, Coral Springs;
David M. Dickirson, Boca Raton,
both of Fla.

[73] Assignee: **Motorola, Inc.**, Schamburg, Ill.

[**] Term: **14 Years**

[21] Appl. No.: **18,213**

[22] Filed: **Jan. 31, 1994**

[52] U.S. Cl. **D14/191**

[58] Field of Search D14/124, 191, 192, 299,
D14/100, 114; 340/311.1; 455/38.1-38.4, 90,
92, 100, 343

[56] **References Cited**

U.S. PATENT DOCUMENTS

- D. 298,327 11/1988 Kimura D14/114
- D. 305,233 12/1989 Sekine D14/191
- D. 312,251 11/1990 Bleck et al. D14/114

- D. 321,690 11/1991 Brenda et al. D14/191
- D. 321,691 11/1991 Brenda et al. D14/191
- D. 345,980 4/1994 Scheid et al. D14/191

Primary Examiner—Theodore M. Shooman
Assistant Examiner—Nanda Bondade

[57] **CLAIM**

The ornamental design for a selective call message card, as shown and described.

DESCRIPTION

FIG. 1 is a front elevational view of the preferred embodiment of a selective call message card showing our new design;

FIG. 2 is a rear elevational view thereof;

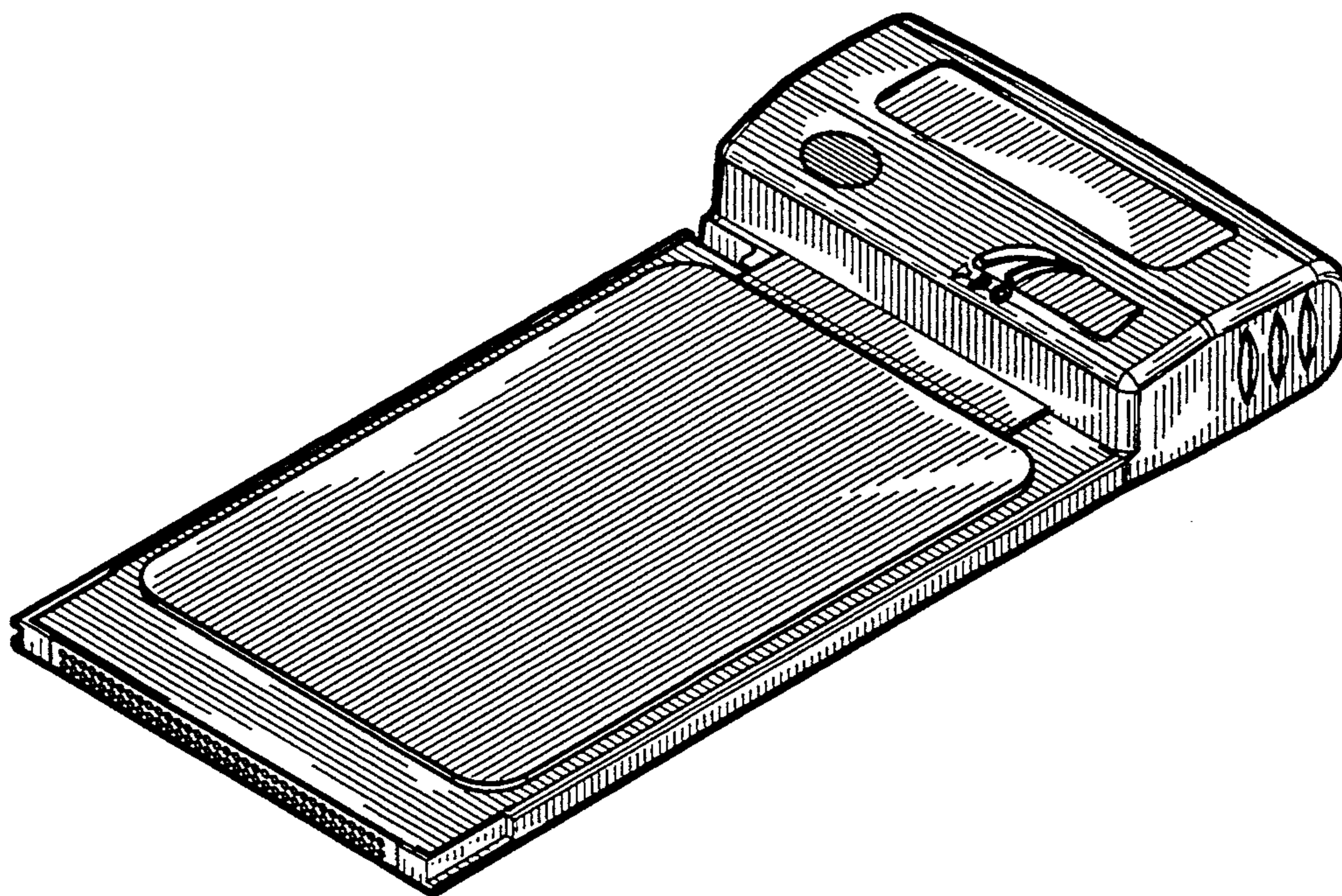
FIG. 3 is a right side elevational view thereof;

FIG. 4 is a left side elevational view thereof;

FIG. 5 is a bottom plan view thereof;

FIG. 6 is a top plan view thereof; and,

FIG. 7 is a bottom, front, and right side perspective view thereof.



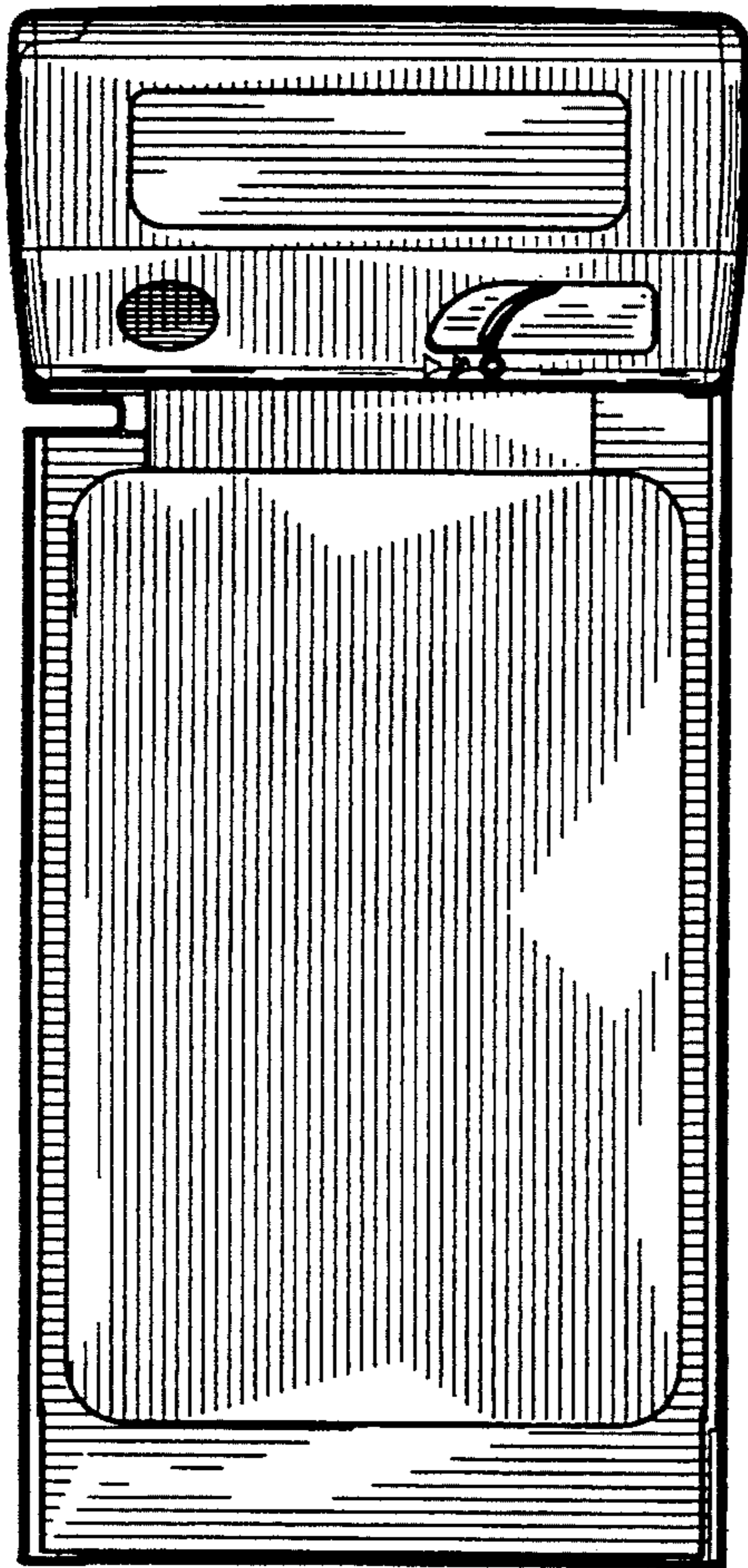


FIG. 1

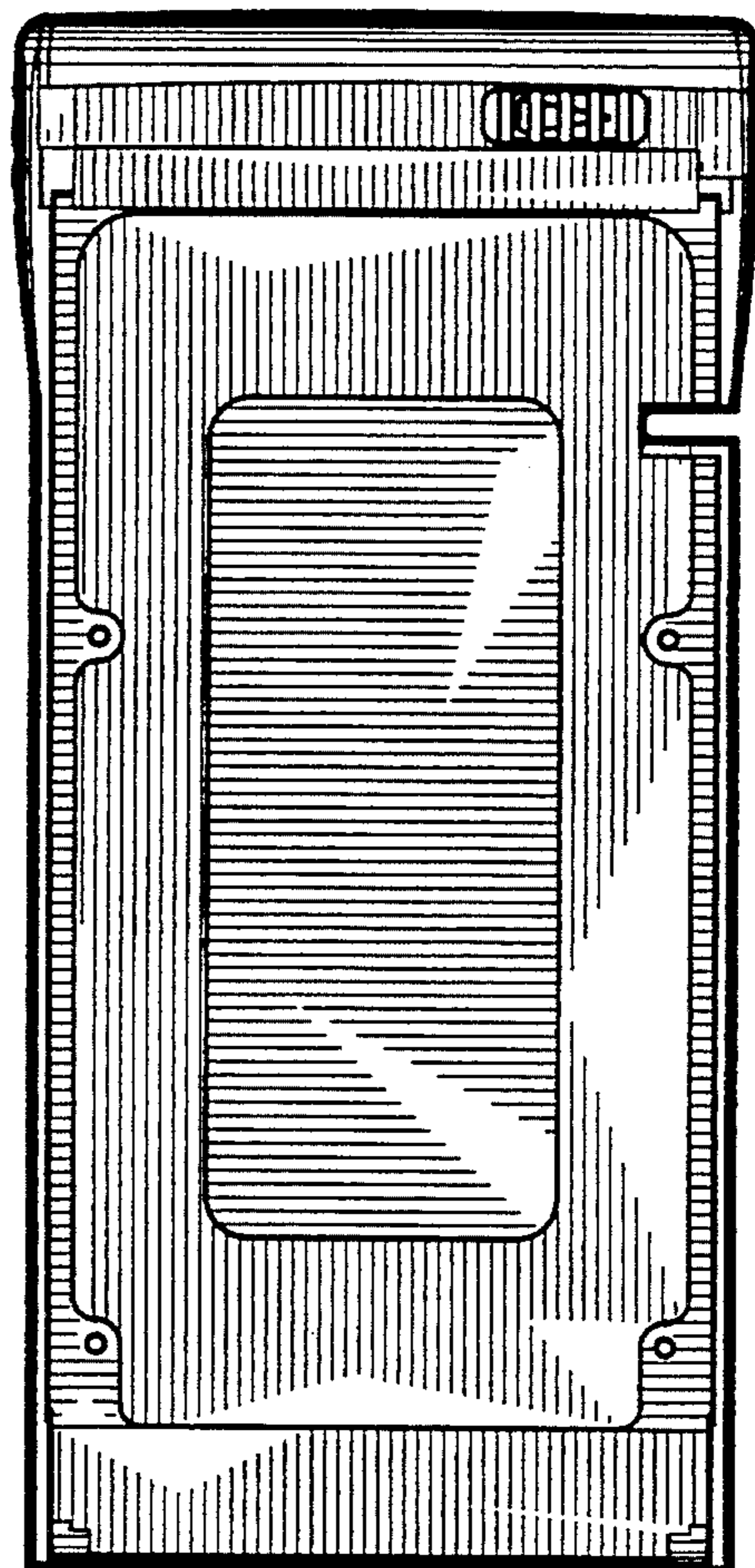


FIG. 2



FIG. 3

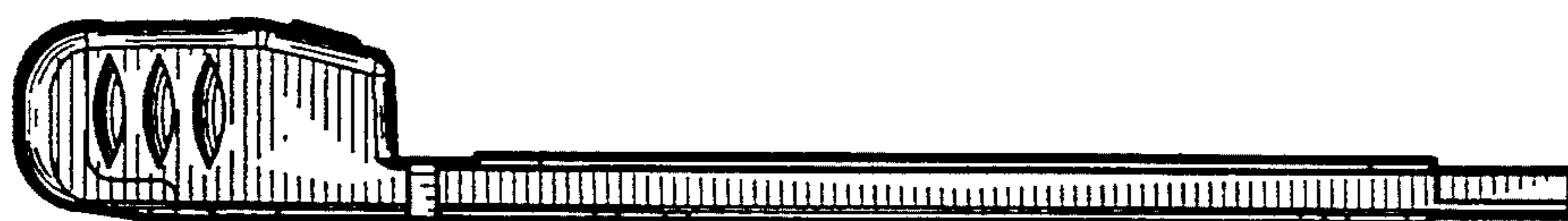


FIG. 4

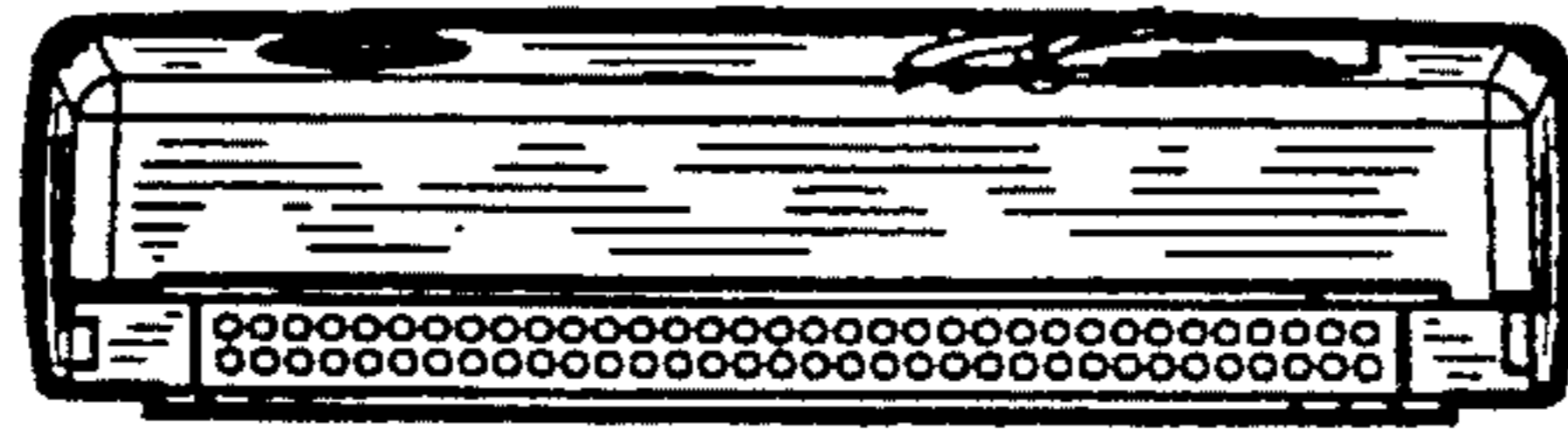


FIG. 5

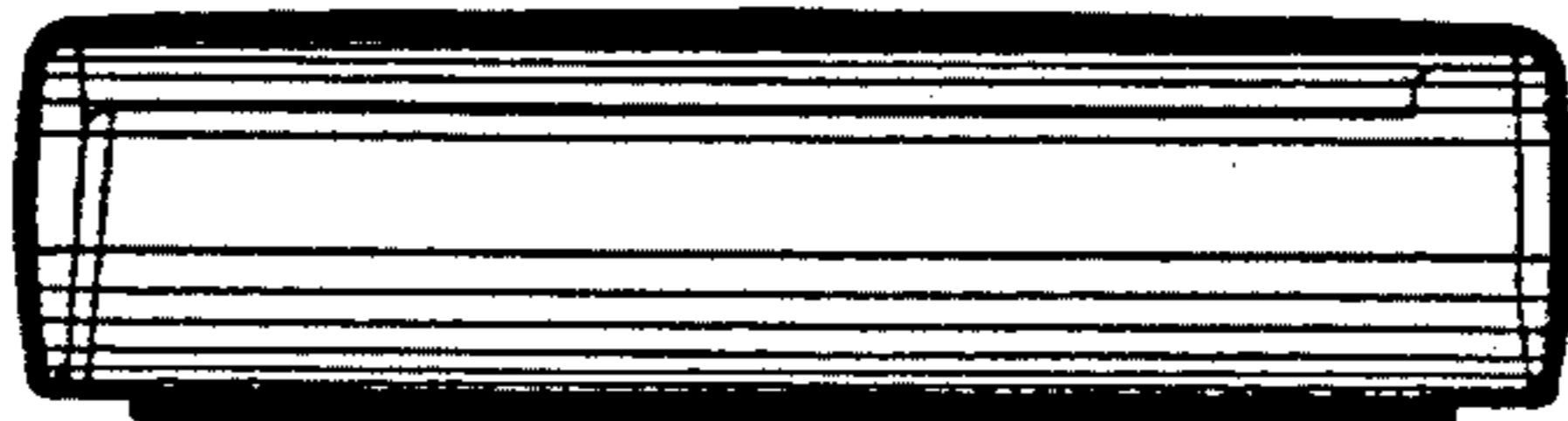


FIG. 6

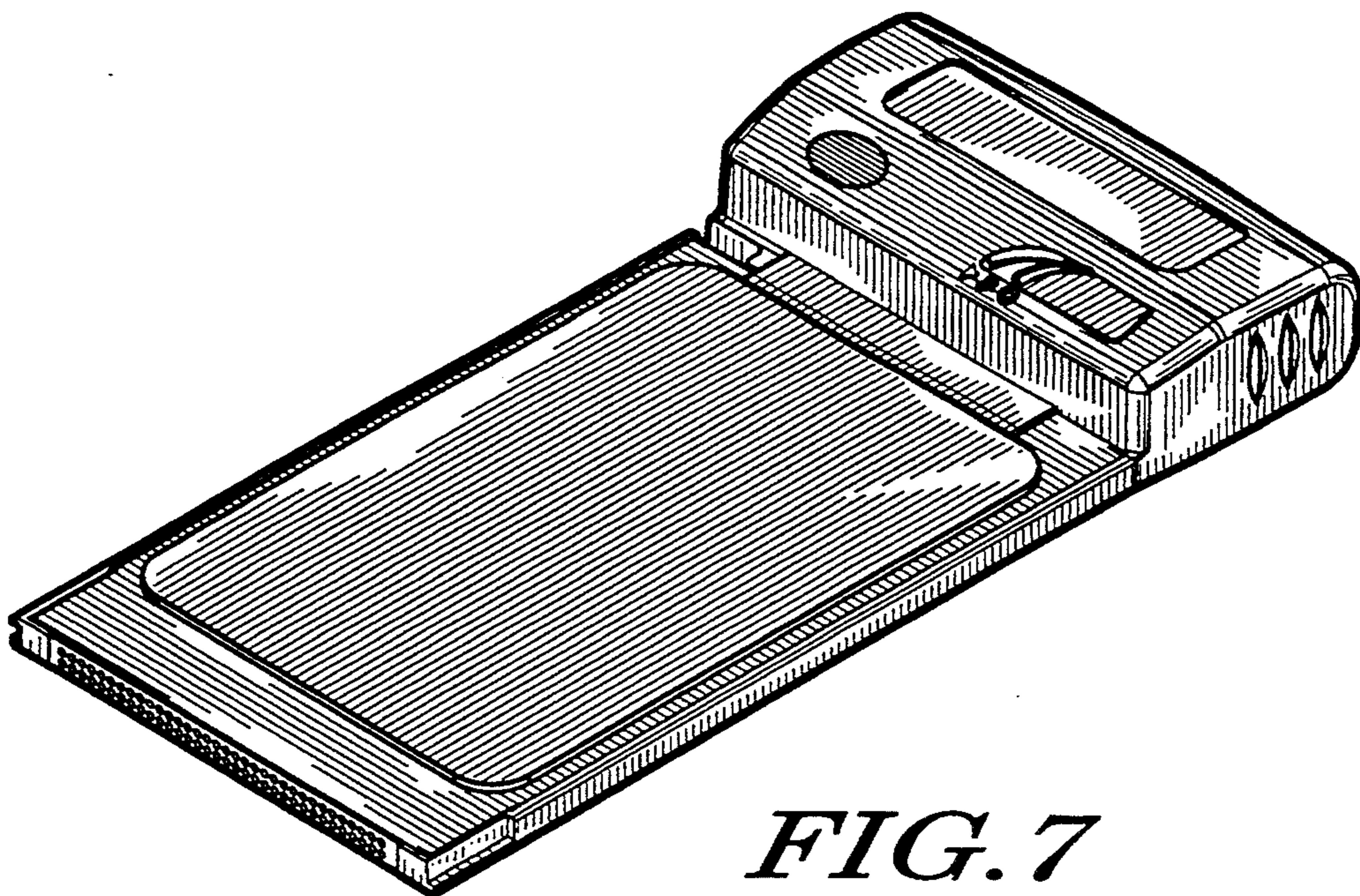


FIG. 7