



US00D361326S

United States Patent [19]

[11] Patent Number: **Des. 361,326**

Schriner

[45] Date of Patent: **** Aug. 15, 1995**

[54] **COMBINED MOUSE PAD AND STORAGE CONTAINER COMBINED**

[75] Inventor: **Michael J. Schriner**, Santa Fe, Calif.

[73] Assignee: **Hunt Holdings, Inc.**, Wilmington, Del.

[**] Term: **14 Years**

[21] Appl. No.: **20,659**

[22] Filed: **Mar. 30, 1994**

[52] U.S. Cl. **D14/114**

[58] Field of Search D14/100, 114;
D6/582-594; D20/22; 345/156-167;
248/118.1; 400/689-693, 715; D19/75, 77, 81,
83, 92

[56] References Cited

U.S. PATENT DOCUMENTS

- D. 201,241 6/1965 Clift D6/585
- D. 209,882 1/1968 Andersen D19/83 X
- D. 288,097 2/1987 Harter et al. D14/114
- D. 323,354 1/1992 Nava D19/83 X
- D. 333,487 2/1993 Papp D19/75
- D. 338,195 8/1993 Sugerman D14/114

OTHER PUBLICATIONS

Anthes Universal product catalog items mousepads, p. 6, Apr. 1993.

Mac Warehouse catalog item mousepad, Apr. 1992, p. 71.

Primary Examiner—Melanie H. Tung
Attorney, Agent, or Firm—Synnestvedt & Lechner

[57] CLAIM

The ornamental design for a combined mouse pad and storage container, as shown and described.

DESCRIPTION

FIG. 1 is a top perspective view showing the combined mouse pad and storage container design, the broken line drawing of a part of a computer, a mouse, a cable, and a hand is for illustrative purposes only and forms no part of the claimed design, on a reduced scale;

FIG. 2 is a sectional view taken along line 2—2 of FIG. 1;

FIG. 3 is a top plan view of the combined mouse pad and storage container;

FIG. 4 is an end view of the combined mouse pad and storage container of FIG. 3, the opposite end is a mirror image;

FIG. 5 is a front elevational view;

FIG. 6 is a rear elevational view;

FIG. 7 is a bottom view of the combined mouse pad and storage container;

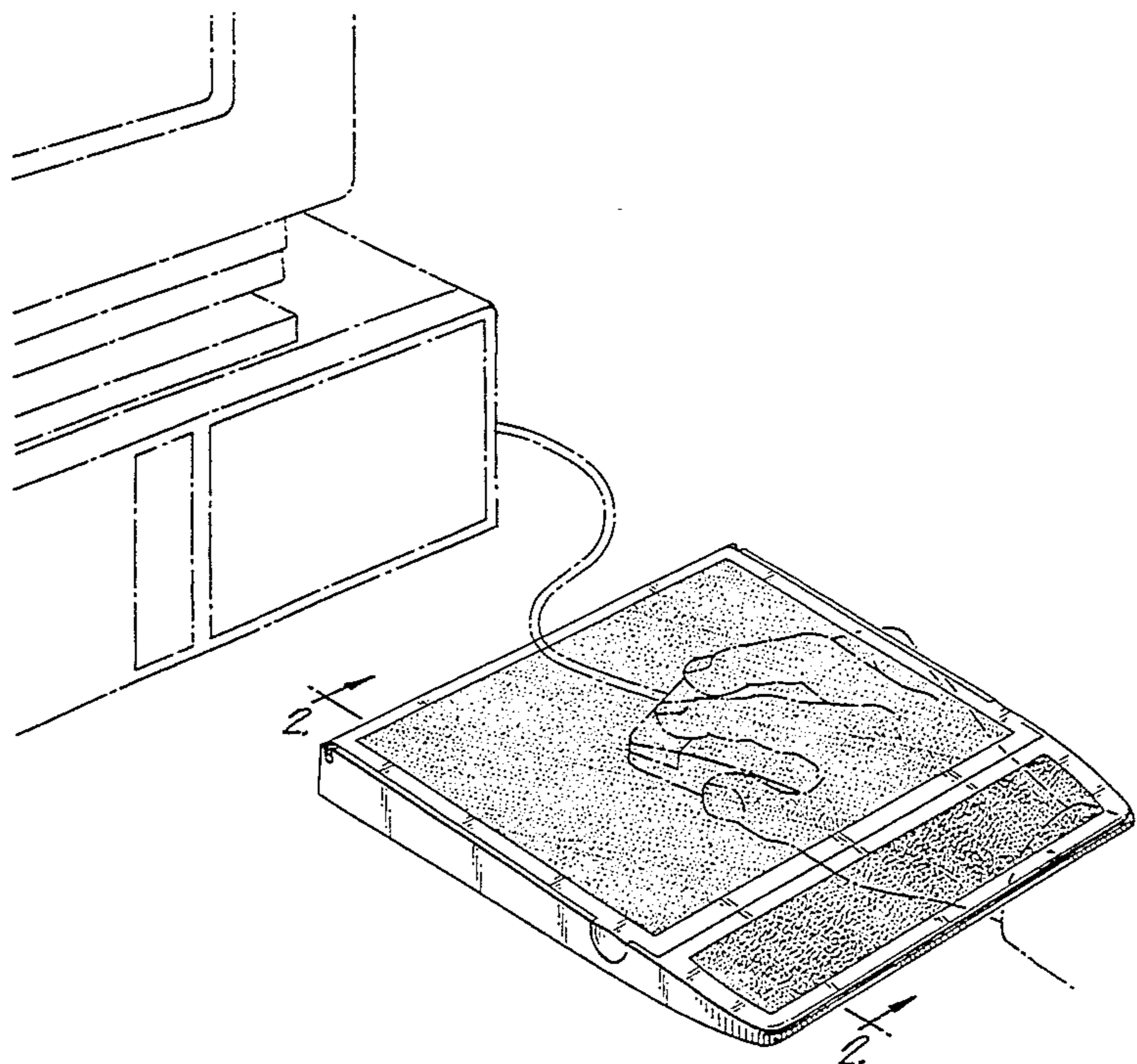
FIG. 8 is a sectional view taken along lines 8—8 of FIG. 3, but with the lid open;

FIG. 9 is a fragmentary sectional view taken along lines 9—9 of FIG. 8;

FIG. 10 is a front, right isometric view showing a plug-in divider assembly, a rear, right isometric view is shown in FIG. 11, a partial front elevational view is shown in FIG. 9, the divider assembly is shown separately for clarity of illustration;

FIG. 11 is a top, front perspective view of the combined mouse pad and storage container, the lid in open position to show the inside storage container, on a reduced scale; and,

FIG. 12 is a top plan view of the combined mouse pad and storage container, with the lid open.



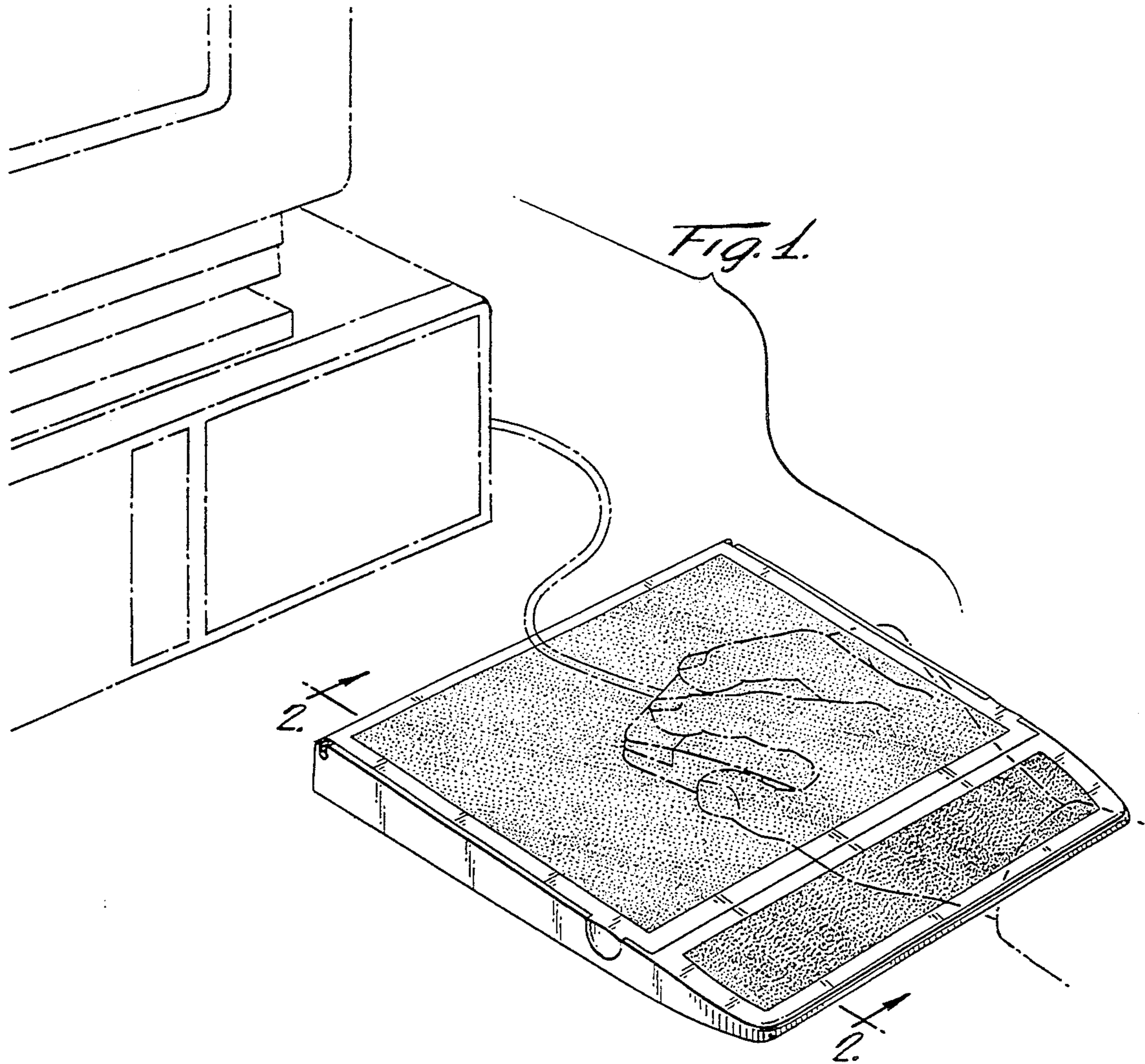
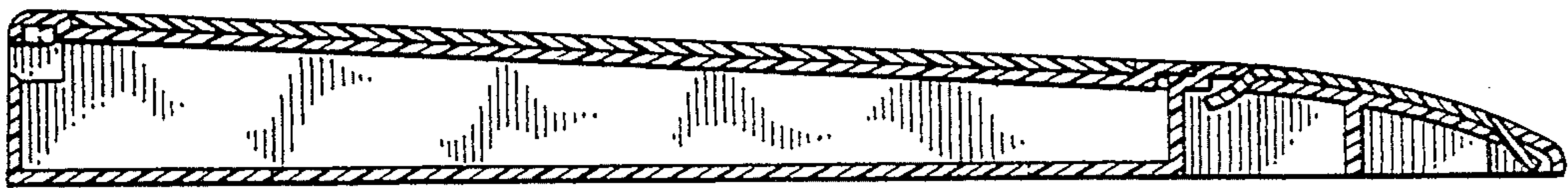


Fig. 2.



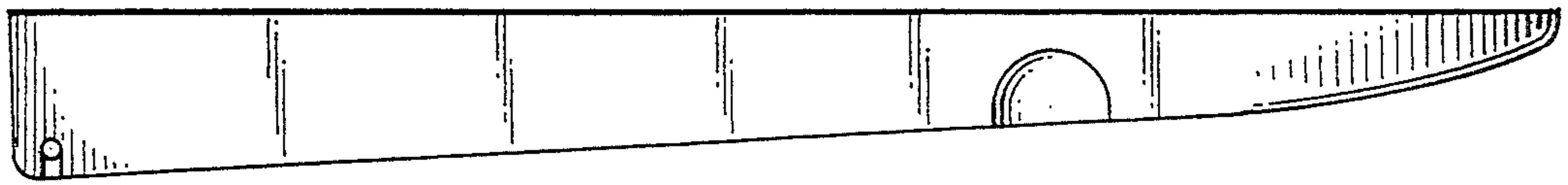


FIG. 4.

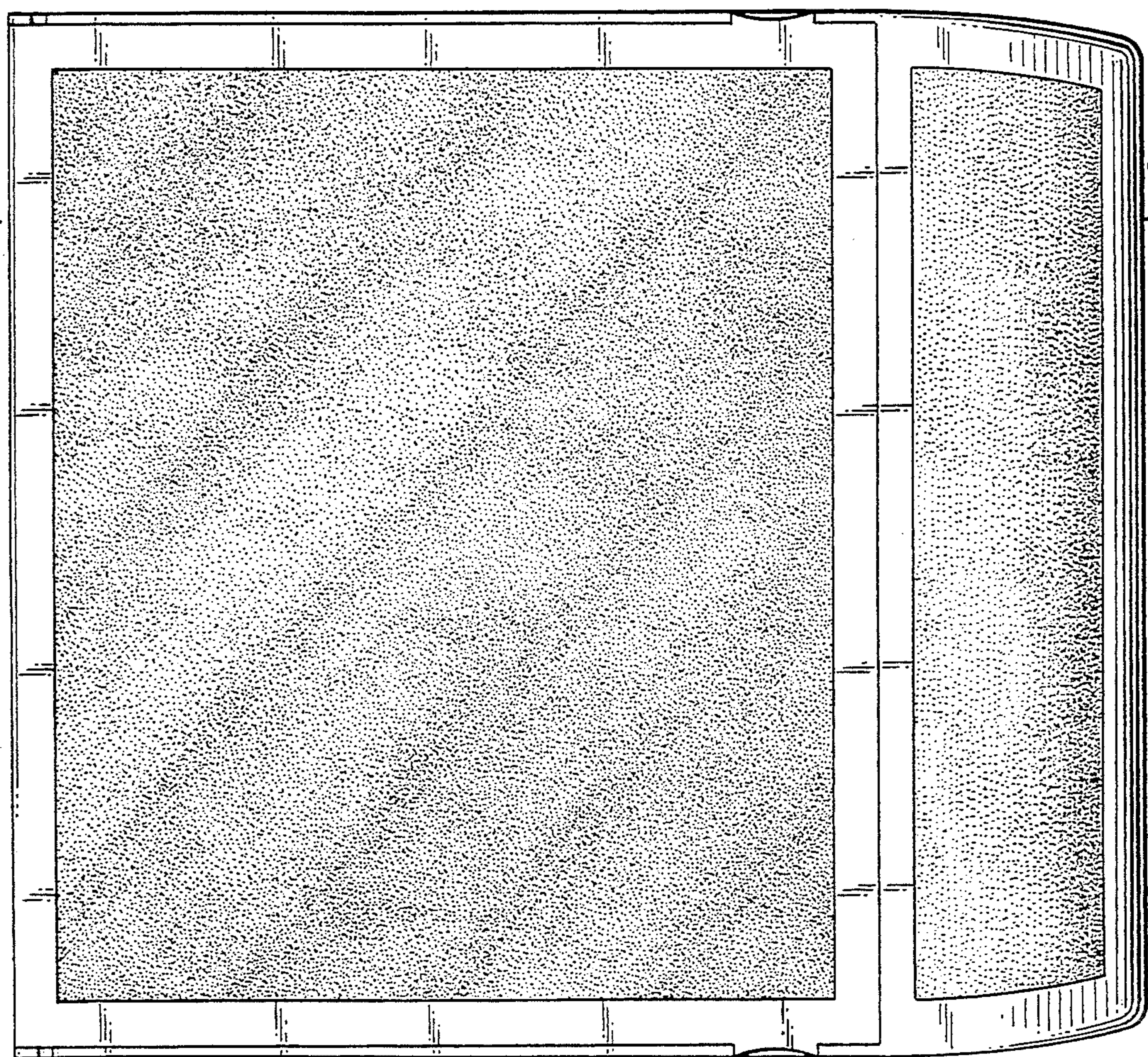


FIG. 3.

→ 8.

→ 8.

Fig. 5.

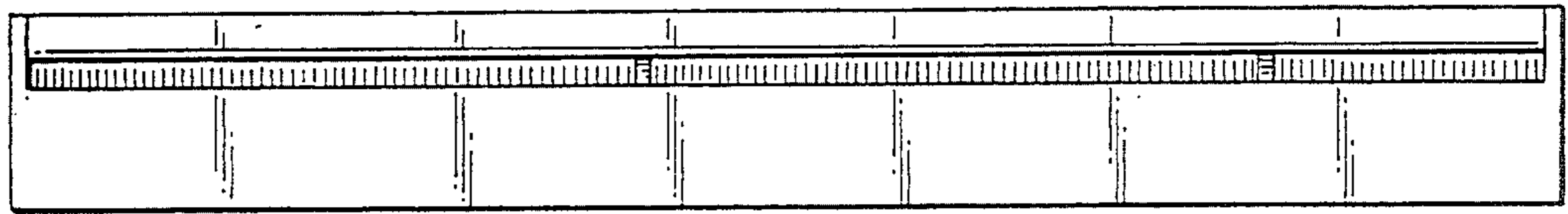


Fig. 6.

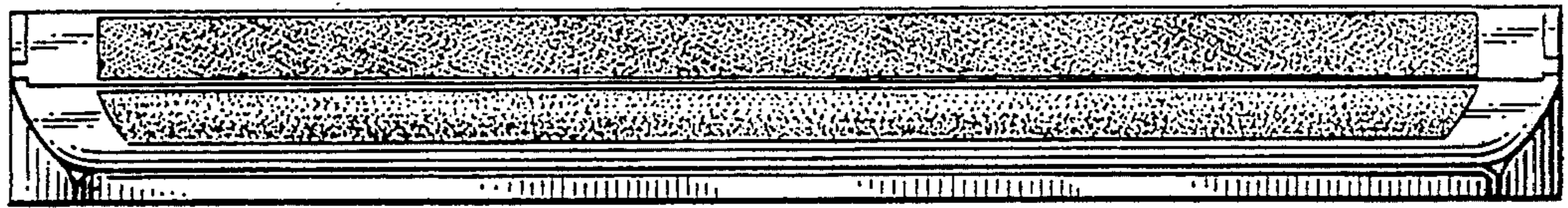


Fig. 7.

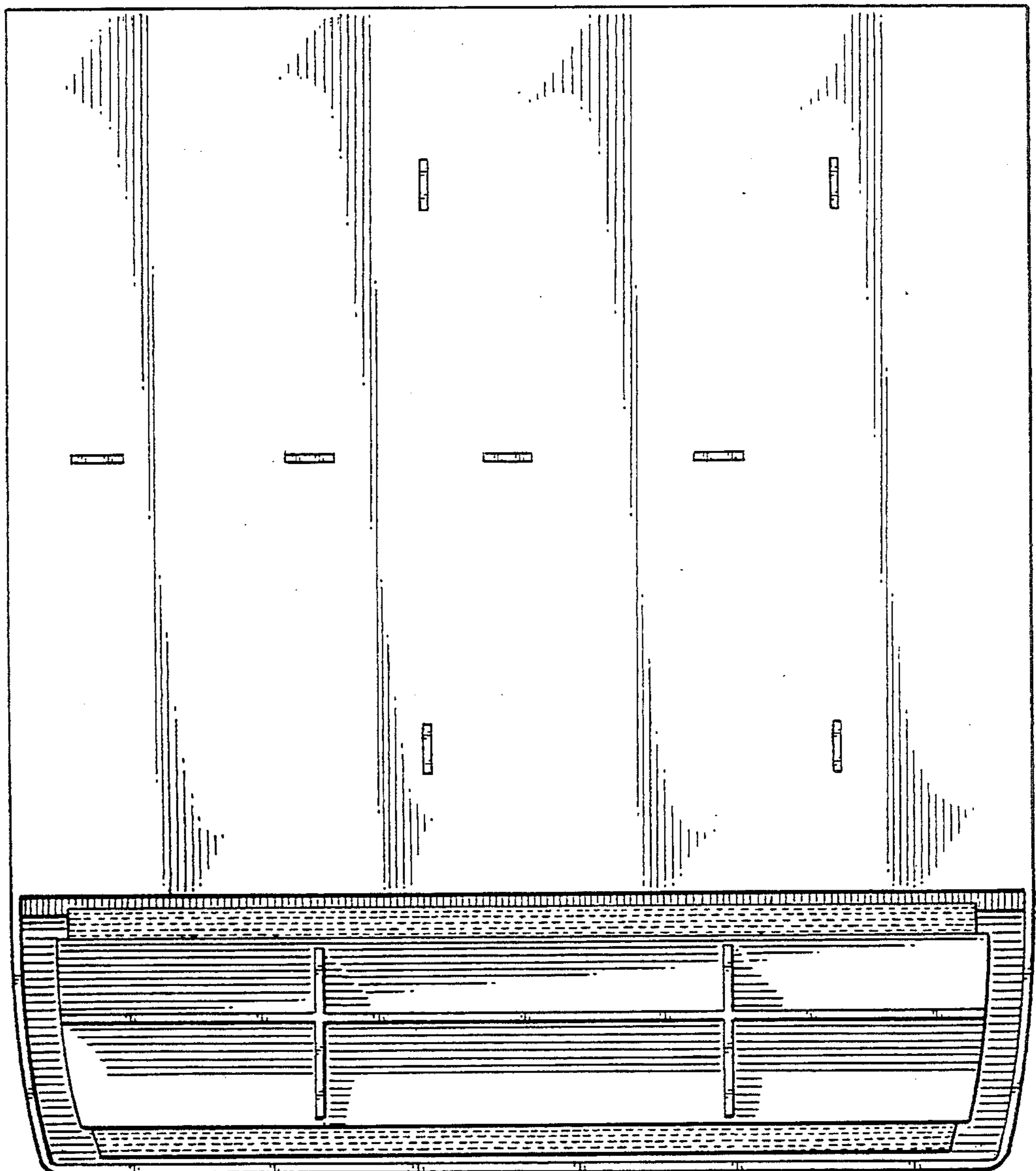


Fig. 9.

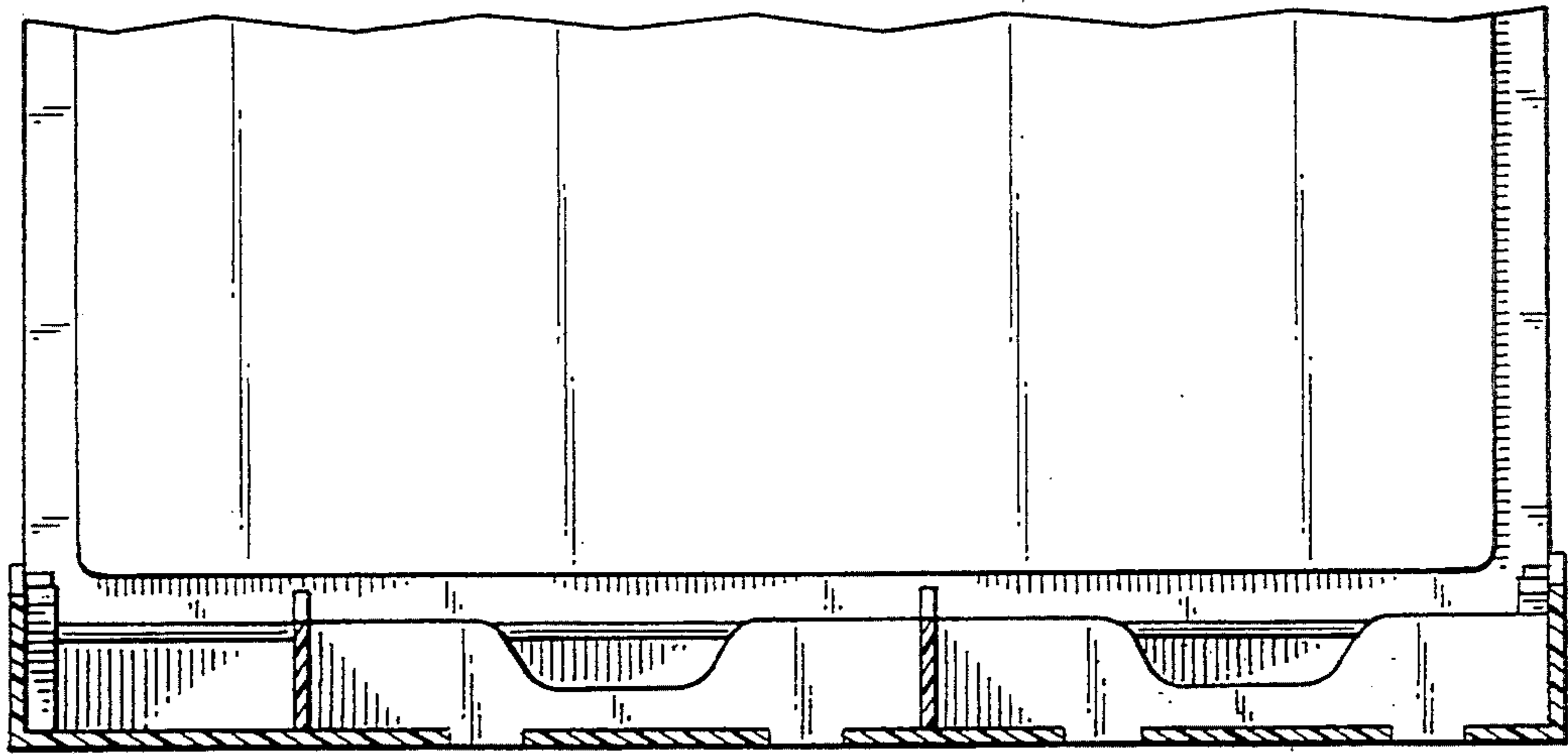


Fig. 10.

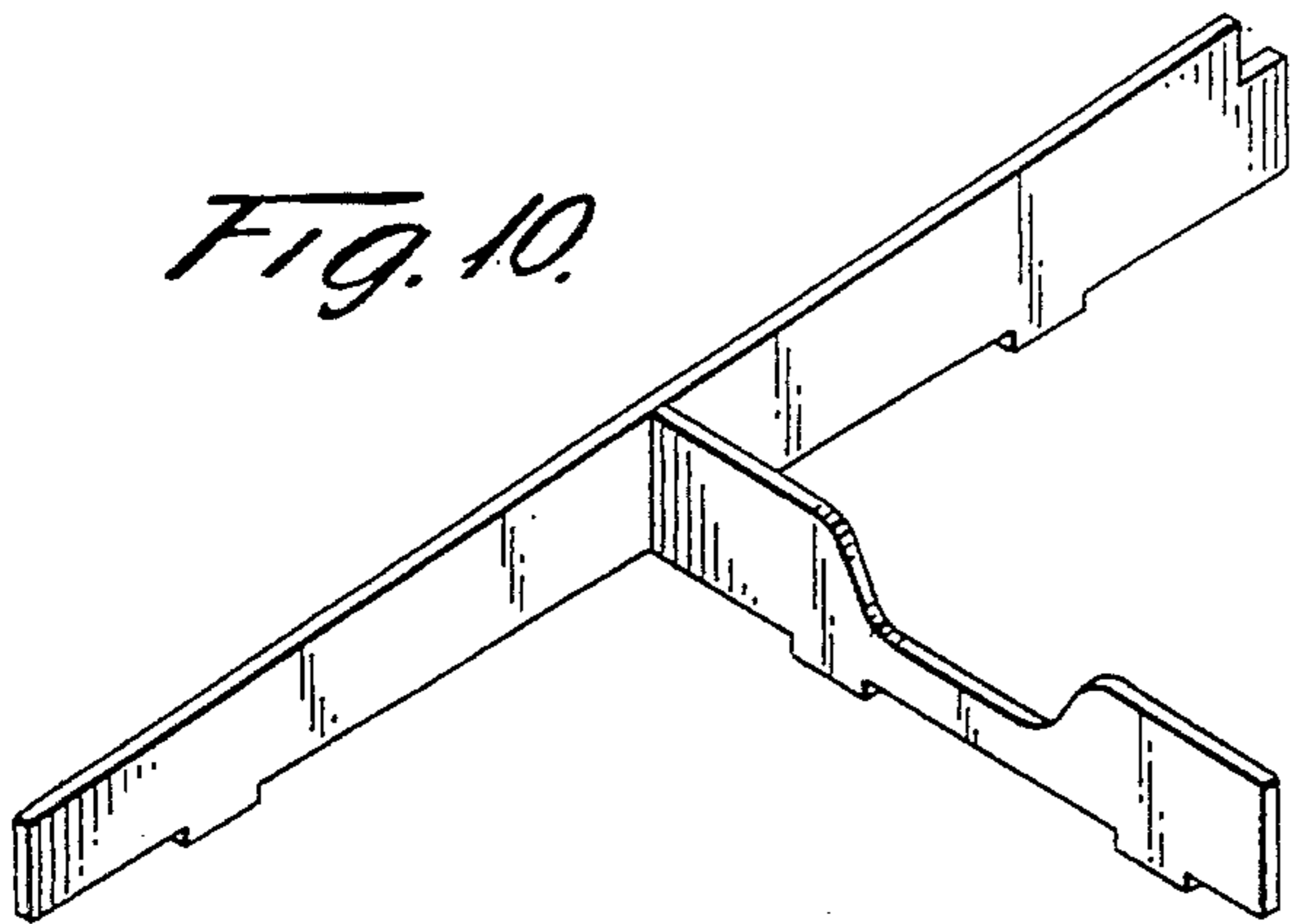


Fig. 8.

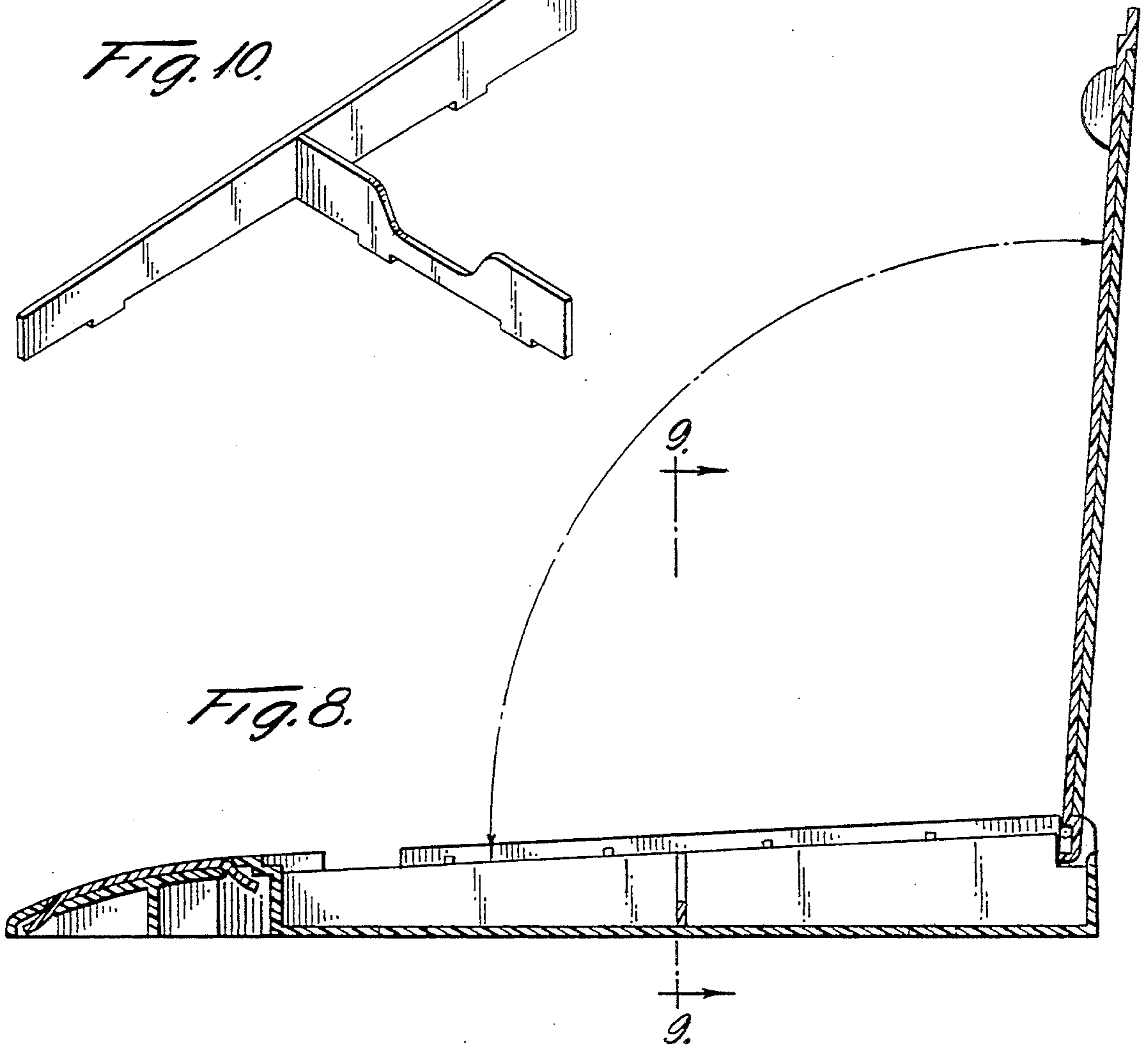


Fig. 4.

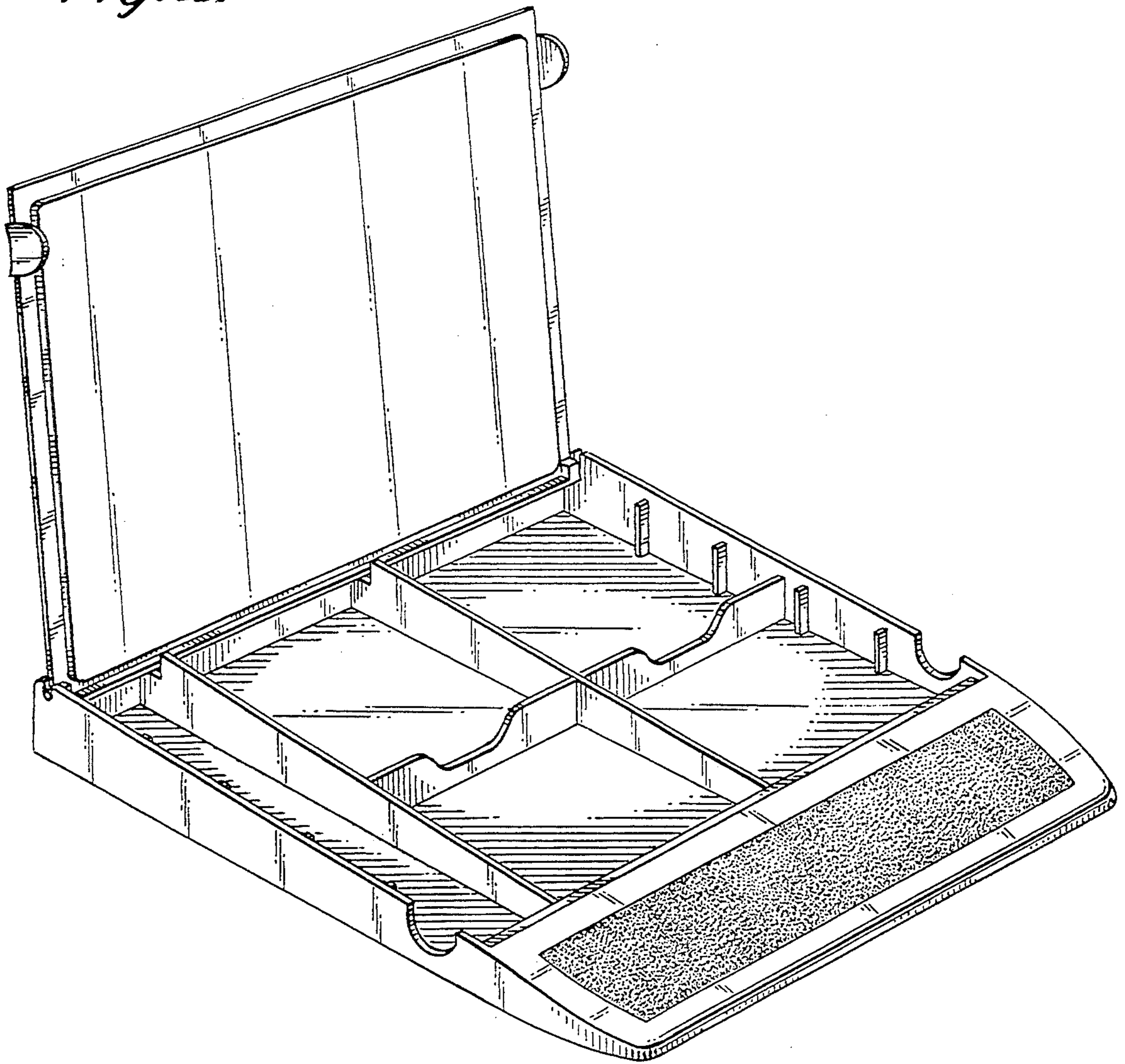


Fig. 12.

