



US00D361324S

# United States Patent [19]

[11] Patent Number: **Des. 361,324**

**Rogers**

[45] Date of Patent: **\*\* Aug. 15, 1995**

[54] **EXPANSION UNIT FOR INCREASING THE FUNCTIONS OF A NOTEBOOK COMPUTER**

### FOREIGN PATENT DOCUMENTS

728519 4/1988 Japan ..... D14/ al.

[75] Inventor: **Rickey N. Rogers**, Tomball, Tex.

*Primary Examiner*—Freda S. Nunn  
*Attorney, Agent, or Firm*—L. Jon Lindsay

[73] Assignee: **Compaq Computer Corporation**, Houston, Tex.

### [57] CLAIM

[\*\*] Term: **14 Years**

The ornamental design for a expansion unit for increasing the functions of a notebook computer, as shown and described.

[21] Appl. No.: **18,029**

### DESCRIPTION

[22] Filed: **Jan. 27, 1994**

[52] U.S. Cl. .... **D14/107**

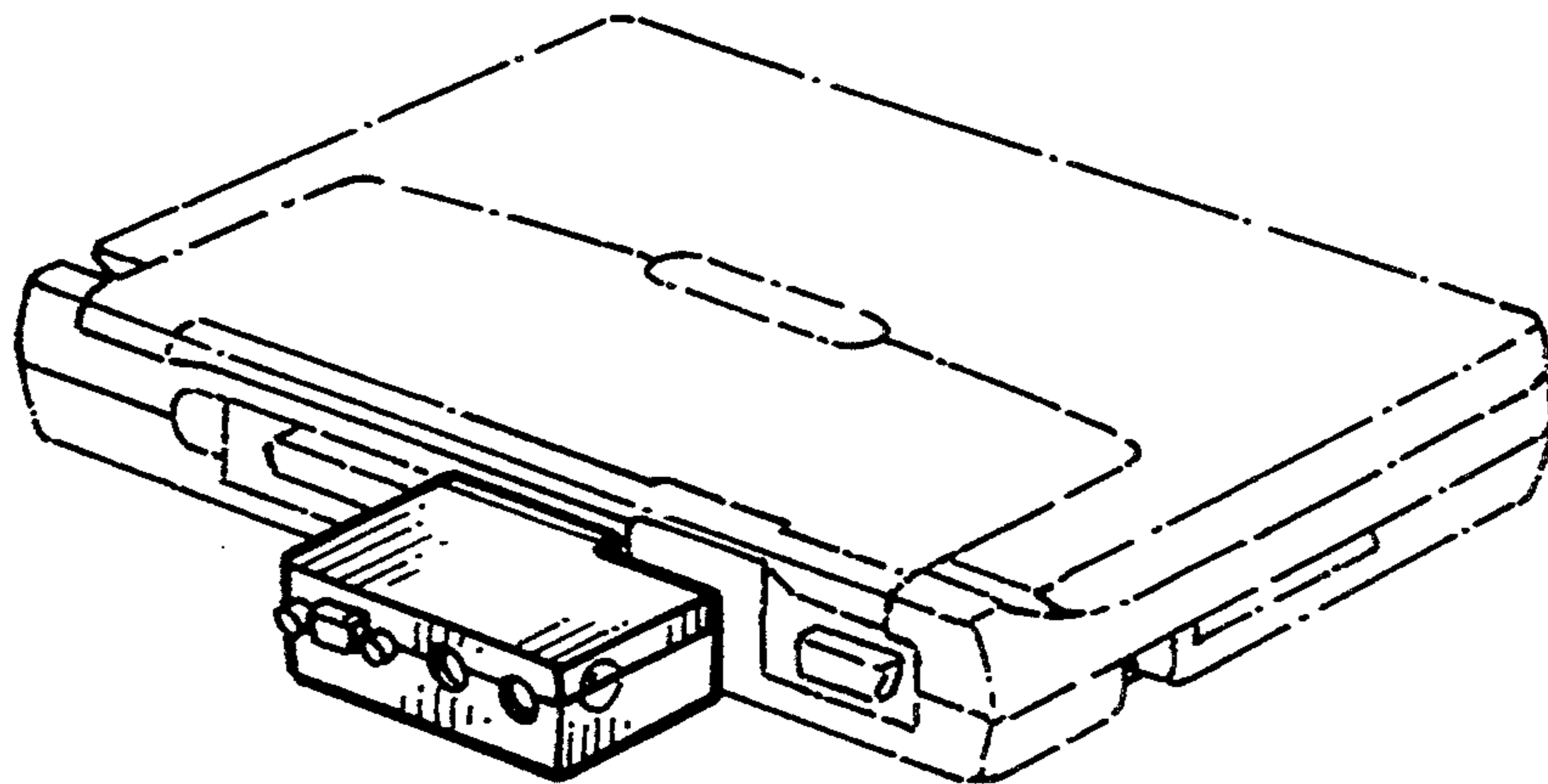
[58] Field of Search ..... D14/100, 107, 114;  
D13/184, 199; 361/683-686; 364/708.1;  
439/95, 284, 357, 372

FIG. 1 is a rear, left side, top perspective view of an expansion unit for increasing the functions of a notebook computer showing my new design in its operative position wherein a notebook computer is shown attached and in broken lines for illustrative purposes only and forms no part of the claimed design;  
FIG. 2 is a rear, left side, top perspective view thereof;  
FIG. 3 is a front elevational view thereof;  
FIG. 4 is a rear elevational view thereof;  
FIG. 5 is a left side elevational view thereof;  
FIG. 6 is a right side elevational view thereof;  
FIG. 7 is a top plan view thereof; and,  
FIG. 8 is a bottom plan view thereof.

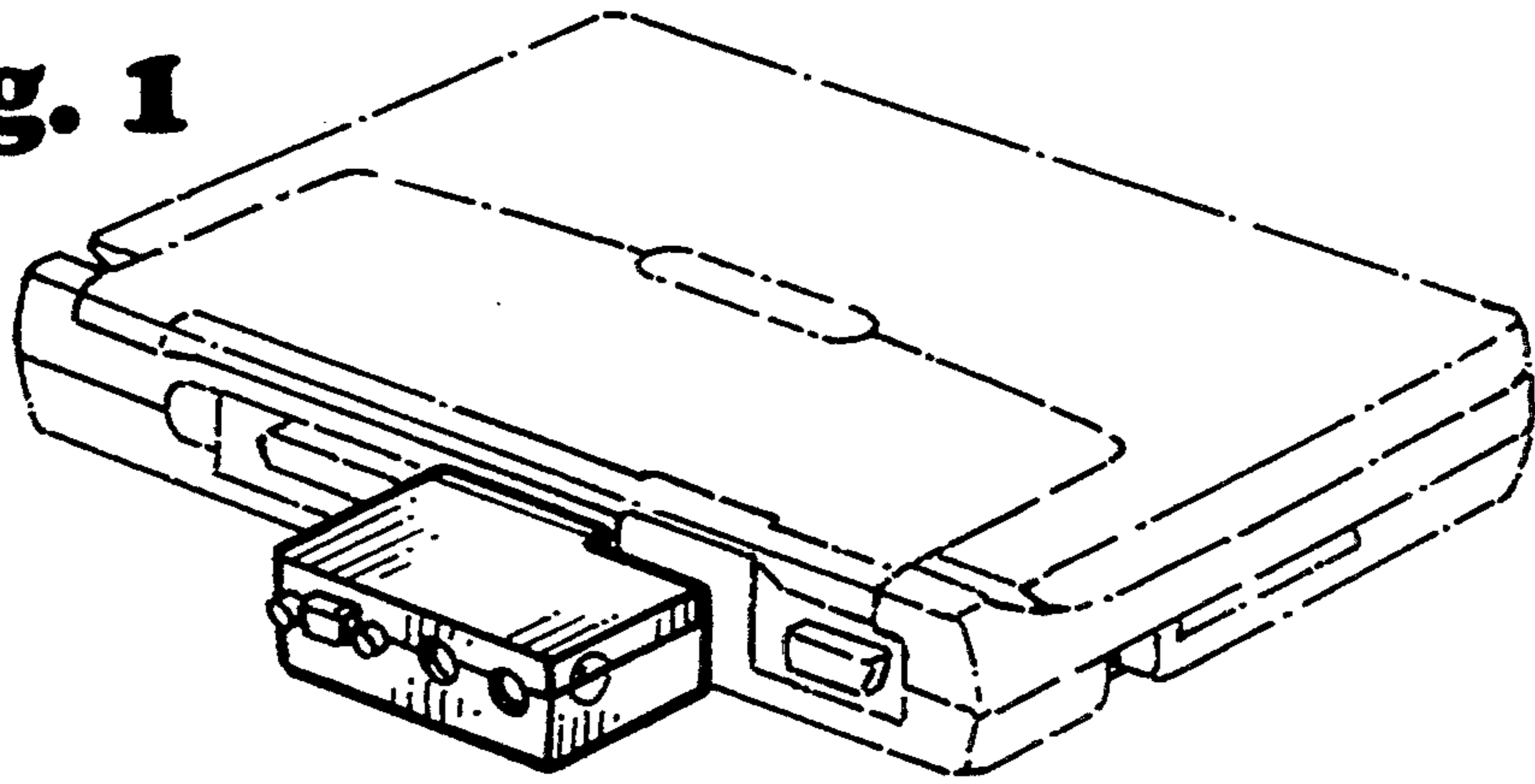
### [56] References Cited

#### U.S. PATENT DOCUMENTS

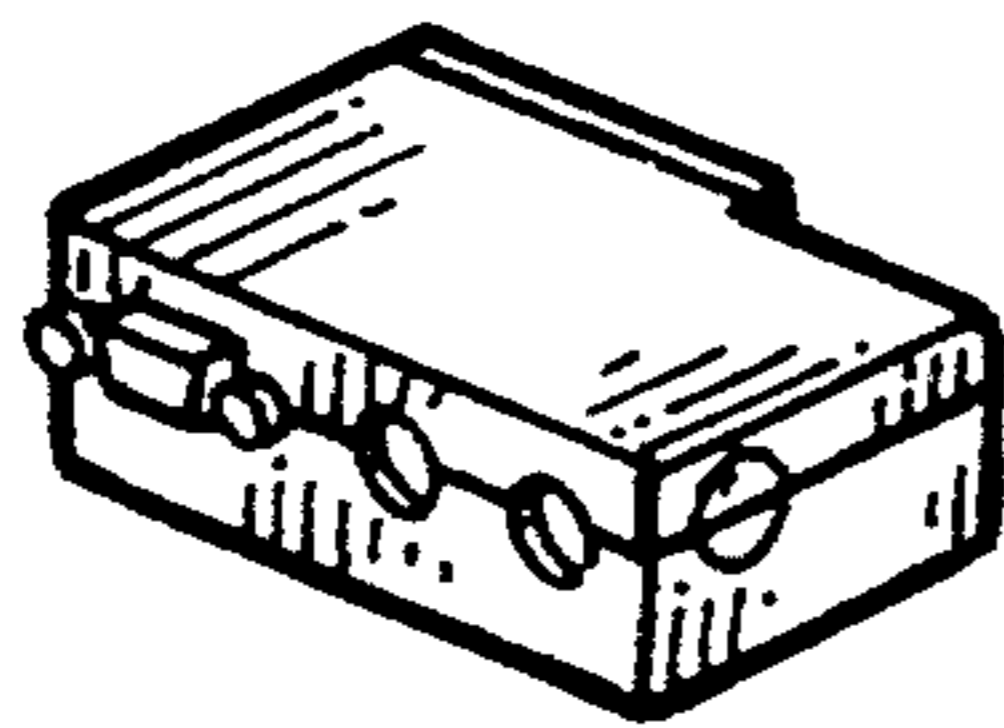
5,036,313 7/1991 Lin et al. .... 361/680 X  
5,283,714 2/1994 Tsai et al. .... 361/683  
5,321,580 6/1994 Hosoi et al. .... 361/683 X



**Fig. 1**



**Fig. 2**



**Fig. 3**



**Fig. 4**



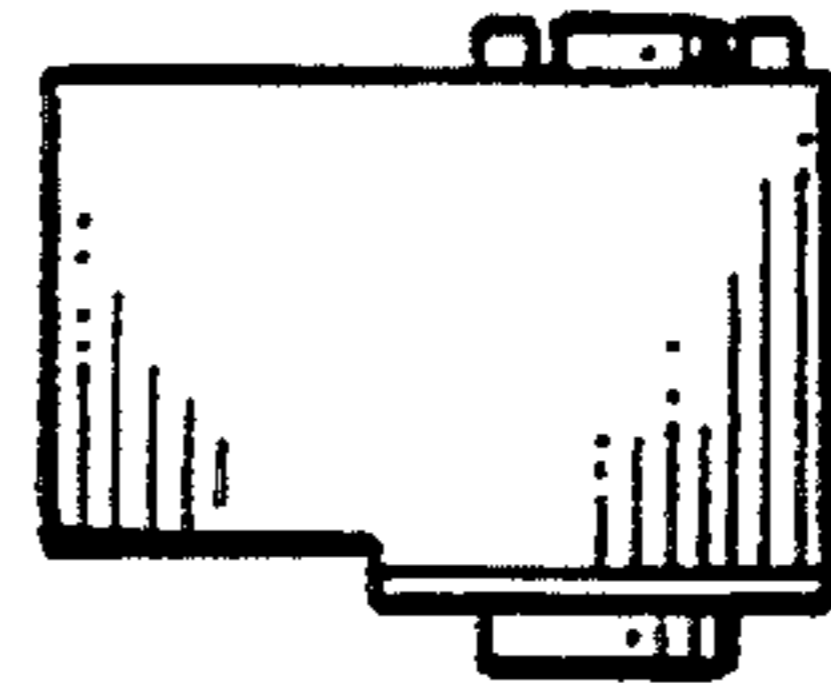
**Fig. 5**



**Fig. 6**



**Fig. 7**



**Fig. 8**

