



US00D361322S

United States Patent [19]

[11] Patent Number: **Des. 361,322**

Yamazaki et al.

[45] Date of Patent: **** Aug. 15, 1995**

[54] **PORTABLE PERSONAL COMPUTER**

Attorney, Agent, or Firm—Martin J. McKinley; Andrew J. Dillon

[75] Inventors: **Kazuhiko Yamazaki**, Hiratuka; **Hisashi Shima**, Fujisawa, both of Japan

[57] **CLAIM**

The ornamental design for a portable personal computer, as shown and described.

[73] Assignee: **International Business Machines Corporation**, Armonk, N.Y.

DESCRIPTION

[**] Term: **14 Years**

FIG. 1 is a front elevational view of the portable personal computer of the invention with the cover closed; FIG. 2 is a rear elevational view thereof with the cover closed;

[21] Appl. No.: **17,358**

FIG. 3 is a top plan view thereof with the cover closed; FIG. 4 is a bottom plan view thereof with the cover closed;

[22] Filed: **Jan. 11, 1994**

[30] **Foreign Application Priority Data**

FIG. 5 is a left side elevational view thereof with the cover closed;

Jul. 23, 1993 [JP] Japan 5-22748

[52] U.S. Cl. **D14/106**

FIG. 6 is a right side elevational view thereof with the cover closed;

[58] Field of Search D14/100, 101, 106, 113, D14/115, 124-127; D18/1, 7, 11, 12; 235/145 A, 145 R; 345/104, 156, 168, 173, 901-905, 87; 341/22, 23; 361/679-686; 364/708.1, 709.04, 709.12; 400/486, 489

FIG. 7 is a front elevational view thereof with the cover opened;

[56] **References Cited**

FIG. 8 is a rear elevational view thereof with the cover opened;

U.S. PATENT DOCUMENTS

- D. 337,101 7/1993 Shie et al. D14/106
- D. 346,592 5/1994 High et al. D14/106
- 5,034,858 7/1991 Kawamoto et al. D14/106 X
- 5,103,376 4/1992 Blonder D14/106 X
- 5,255,214 10/1993 Ma D14/106 X

FIG. 9 is a top plan view thereof with the cover opened;

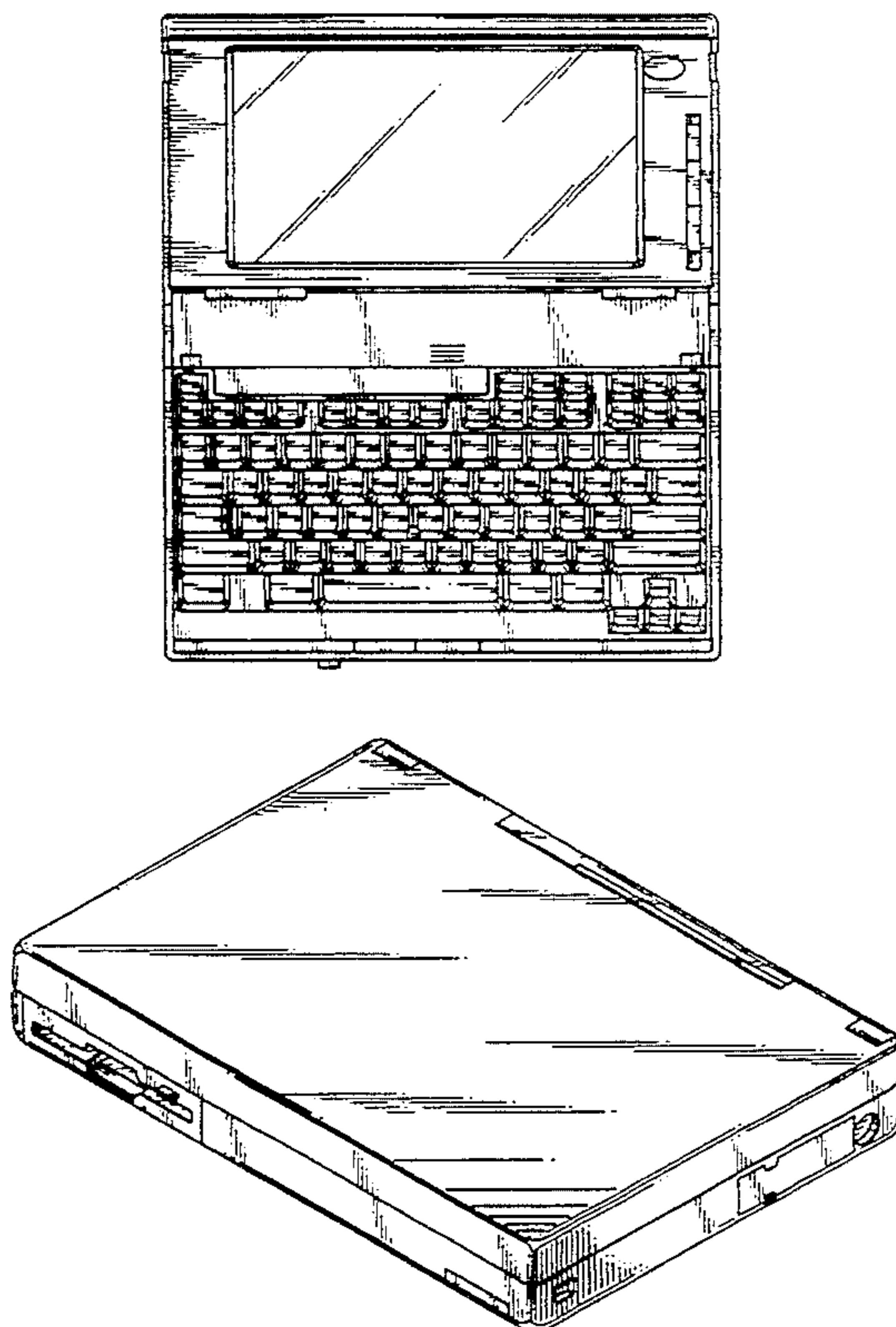
FIG. 10 is a bottom plan view thereof with the cover opened;

FIG. 11 is a left side elevational view thereof with the cover opened;

FIG. 12 is a right side elevational view thereof with the cover opened; and,

FIG. 13 is a perspective view of the personal computer with the cover closed.

Primary Examiner—Freda S. Nunn



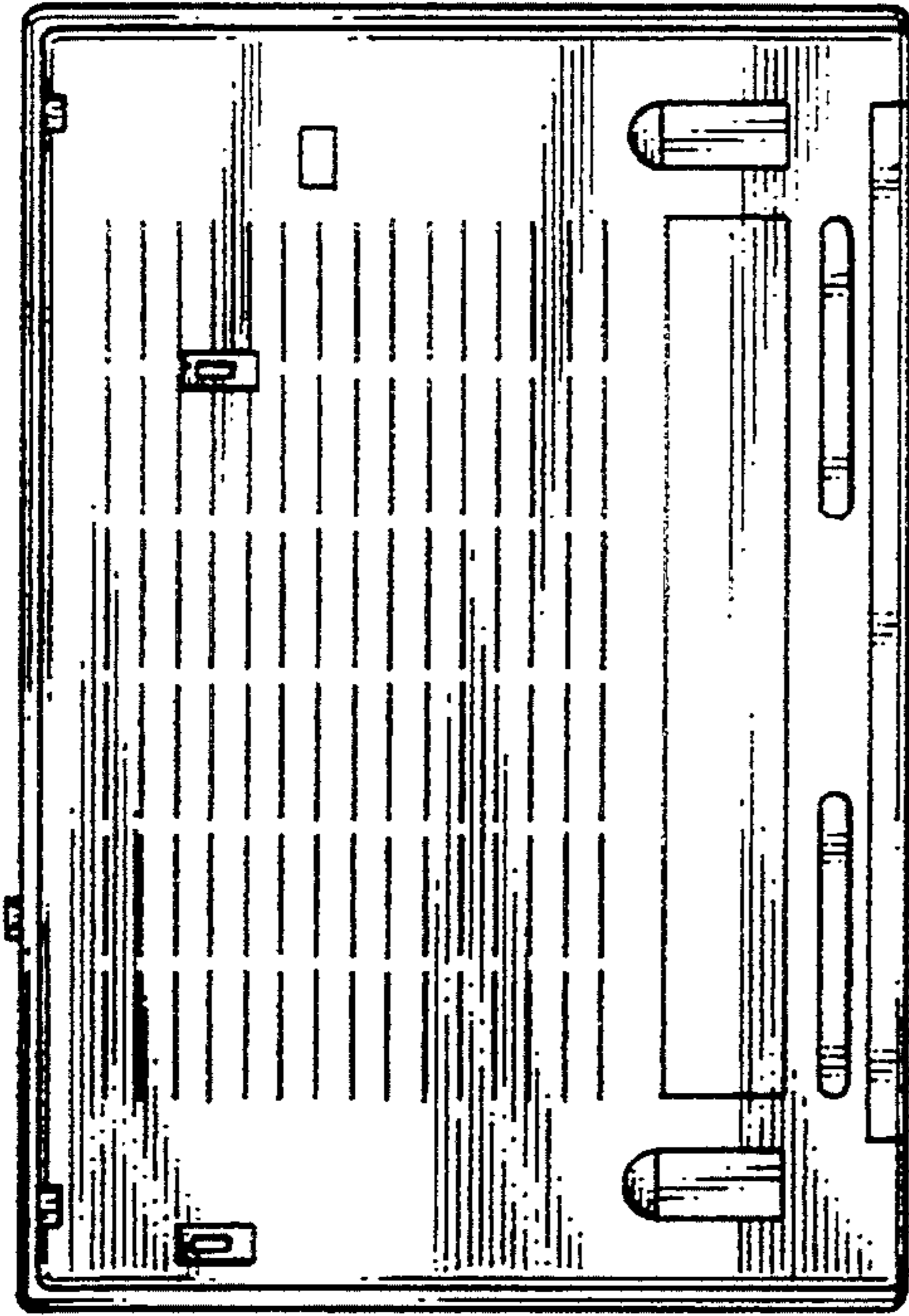


Fig. 4

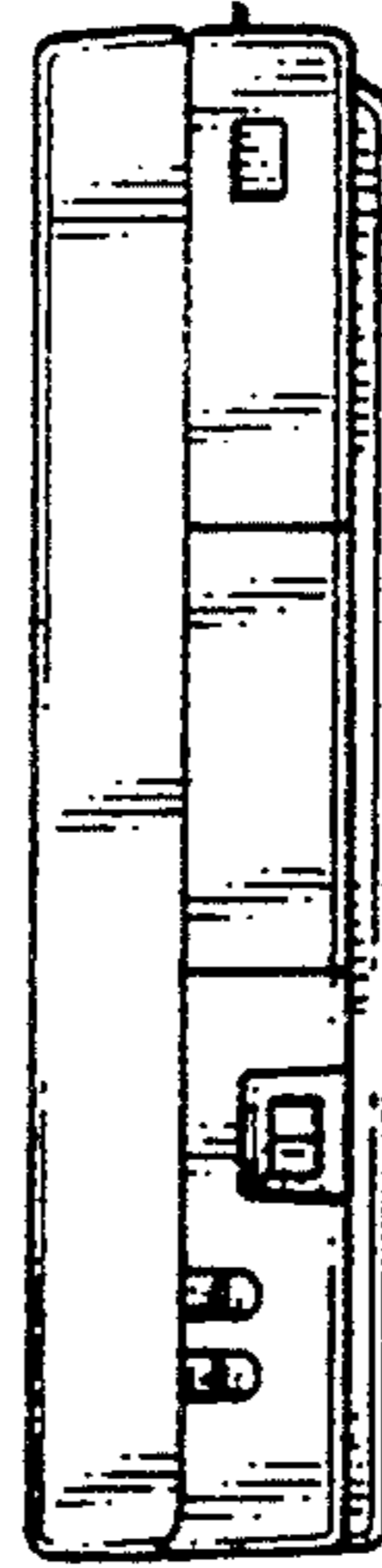


Fig. 5

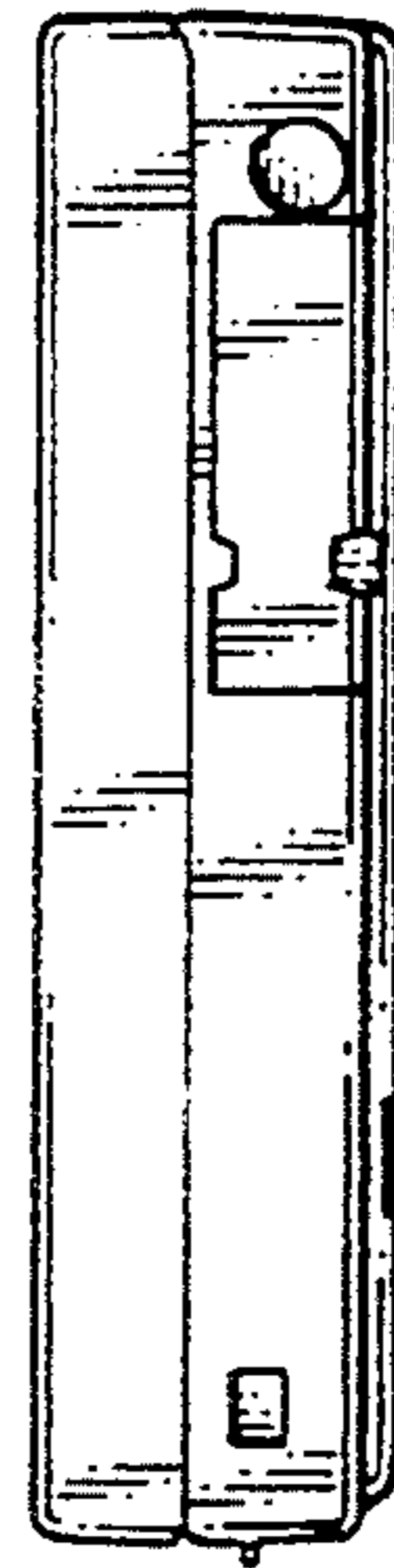


Fig. 6



Fig. 1

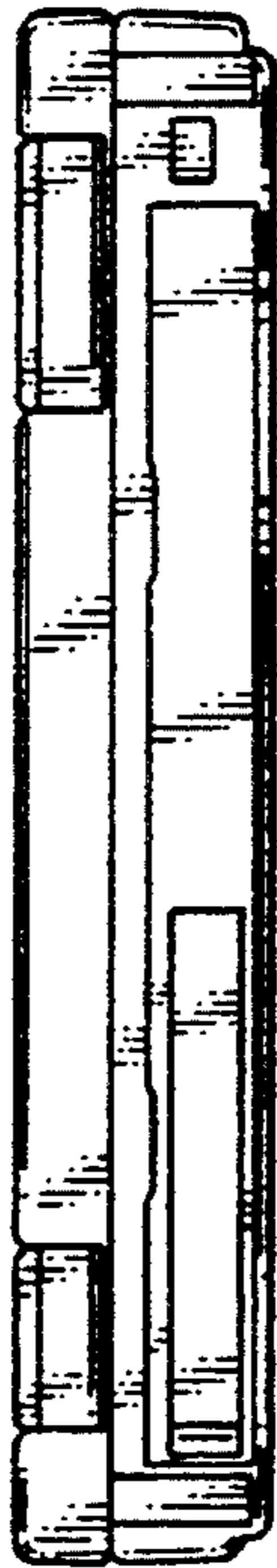


Fig. 2

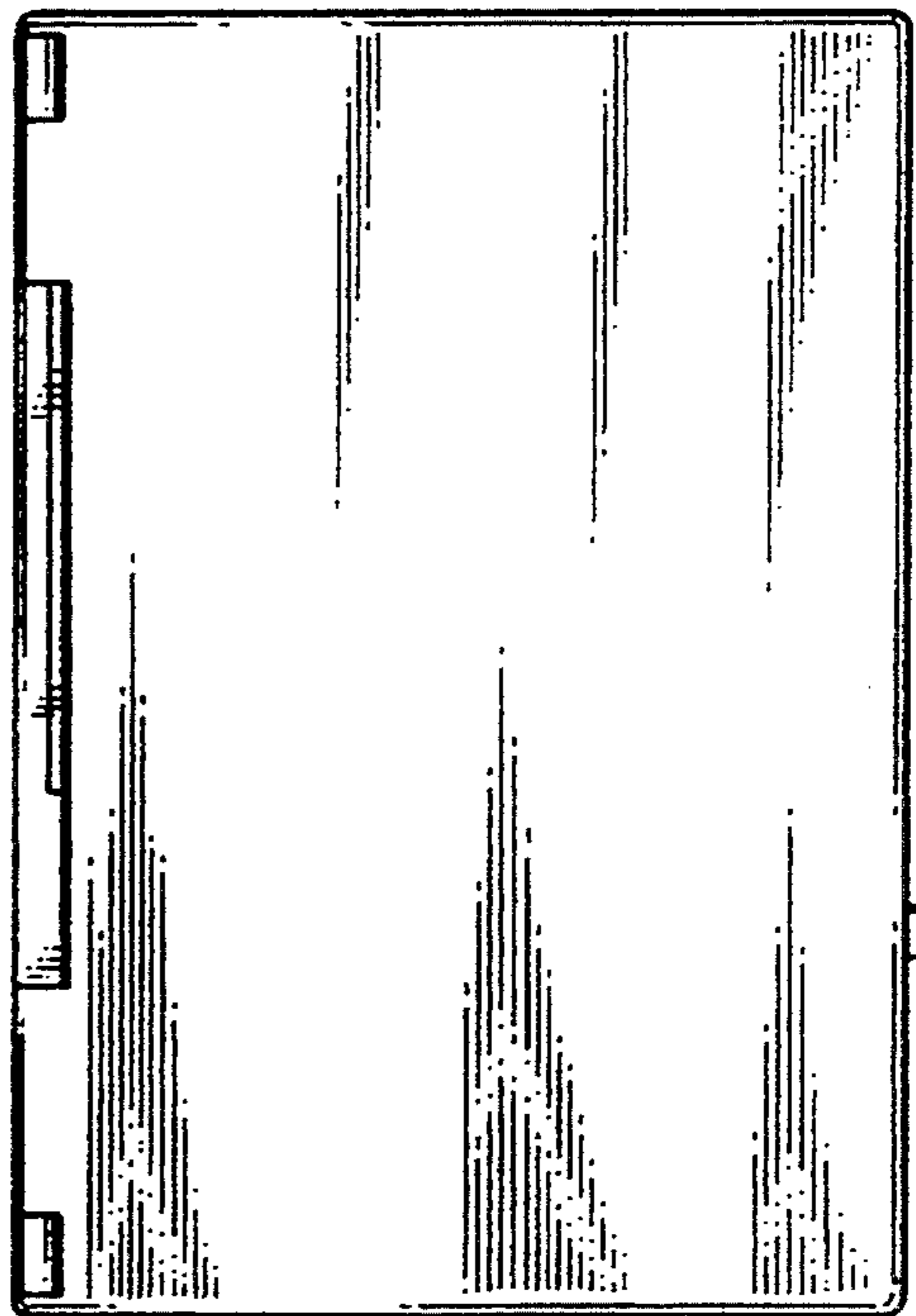


Fig. 3

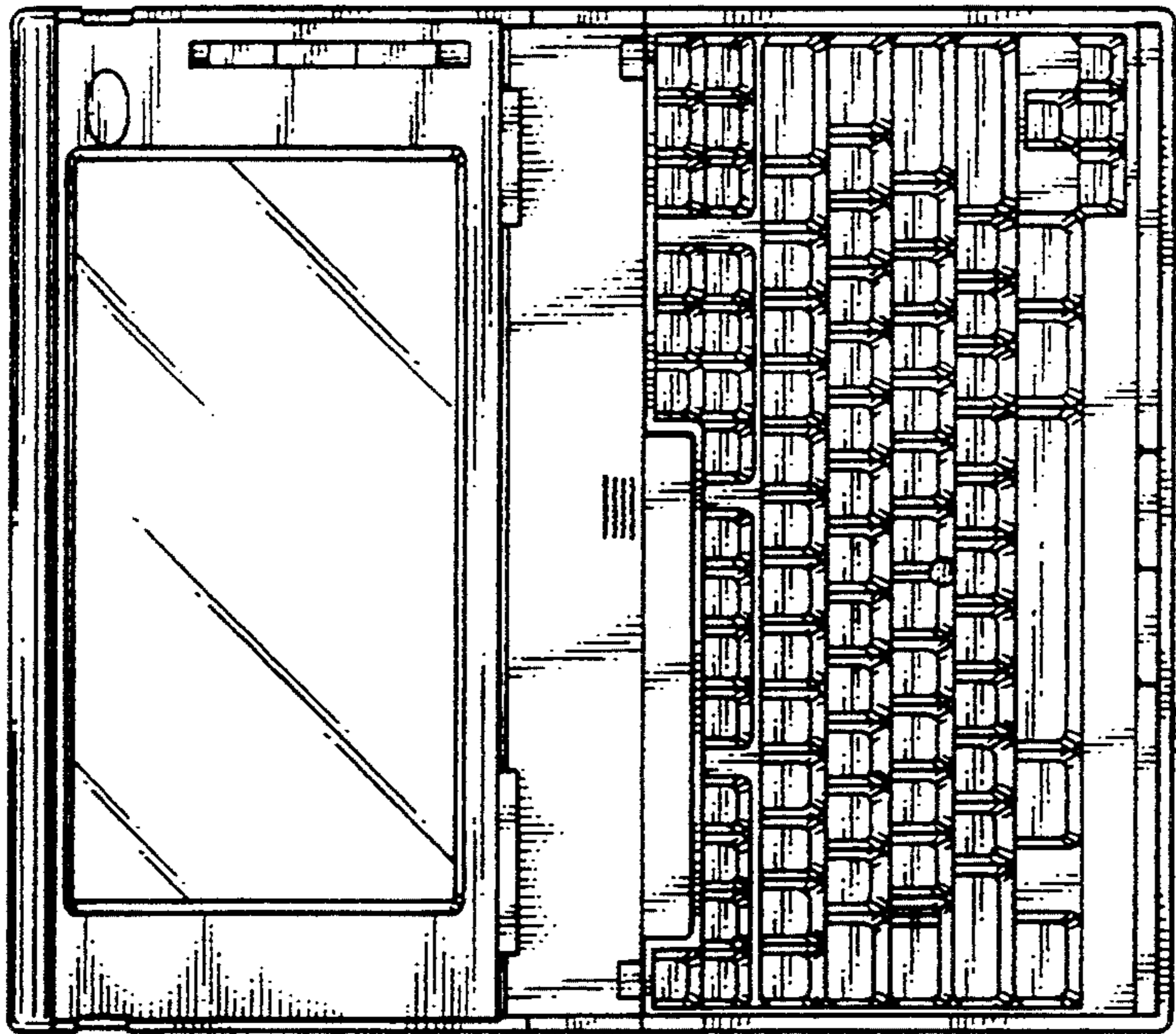


Fig. 9

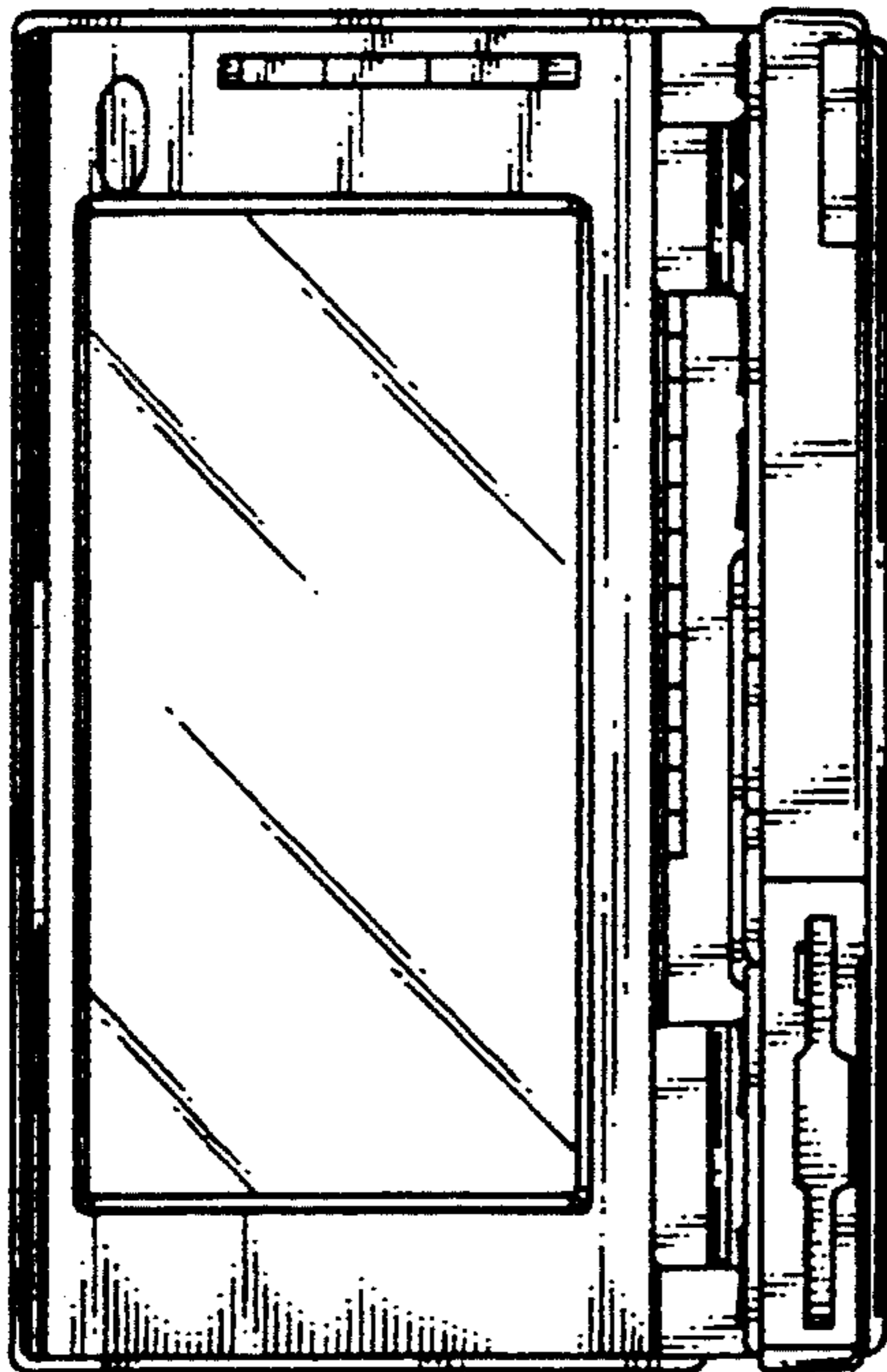


Fig. 7



Fig. 8

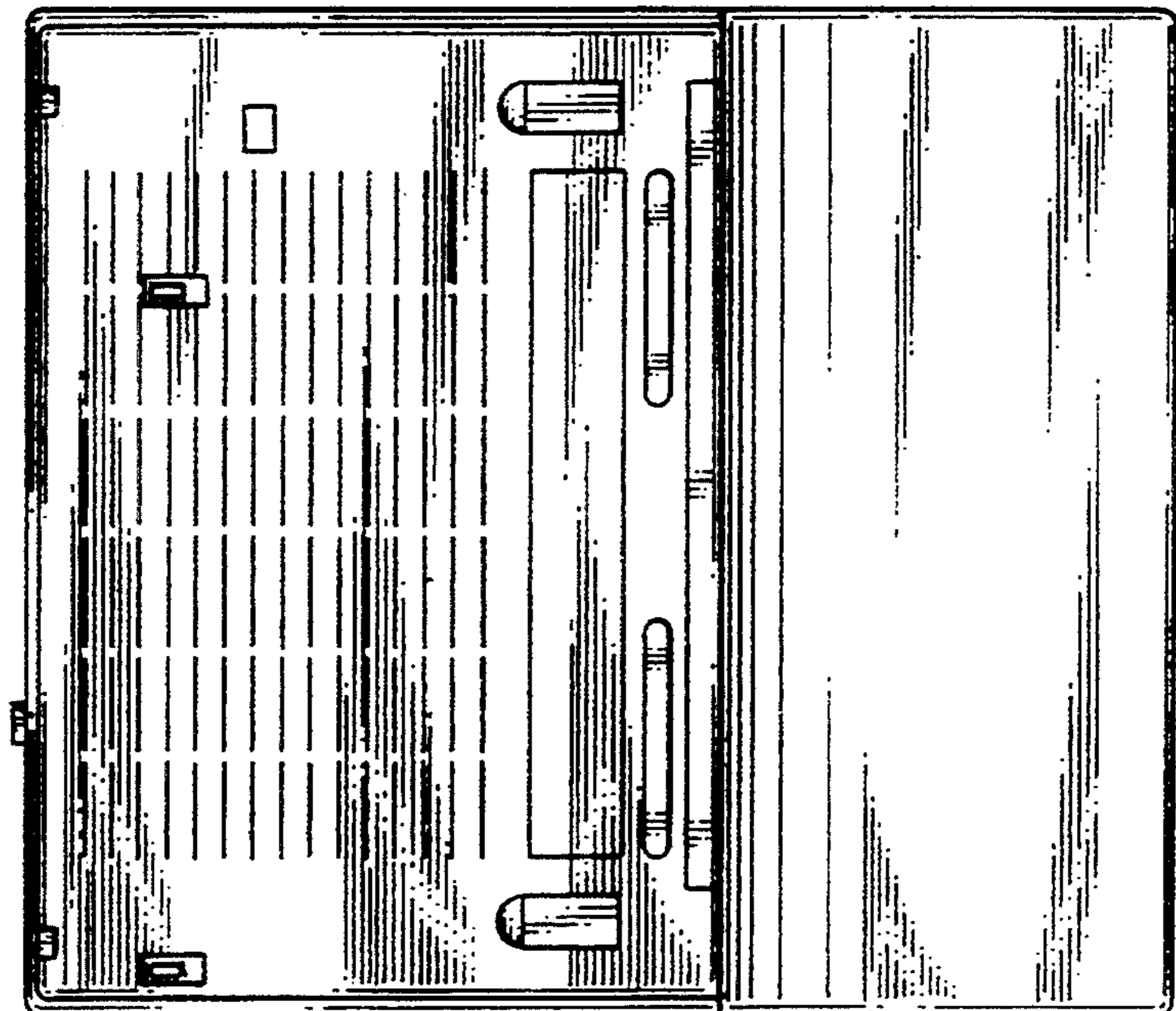


Fig. 10

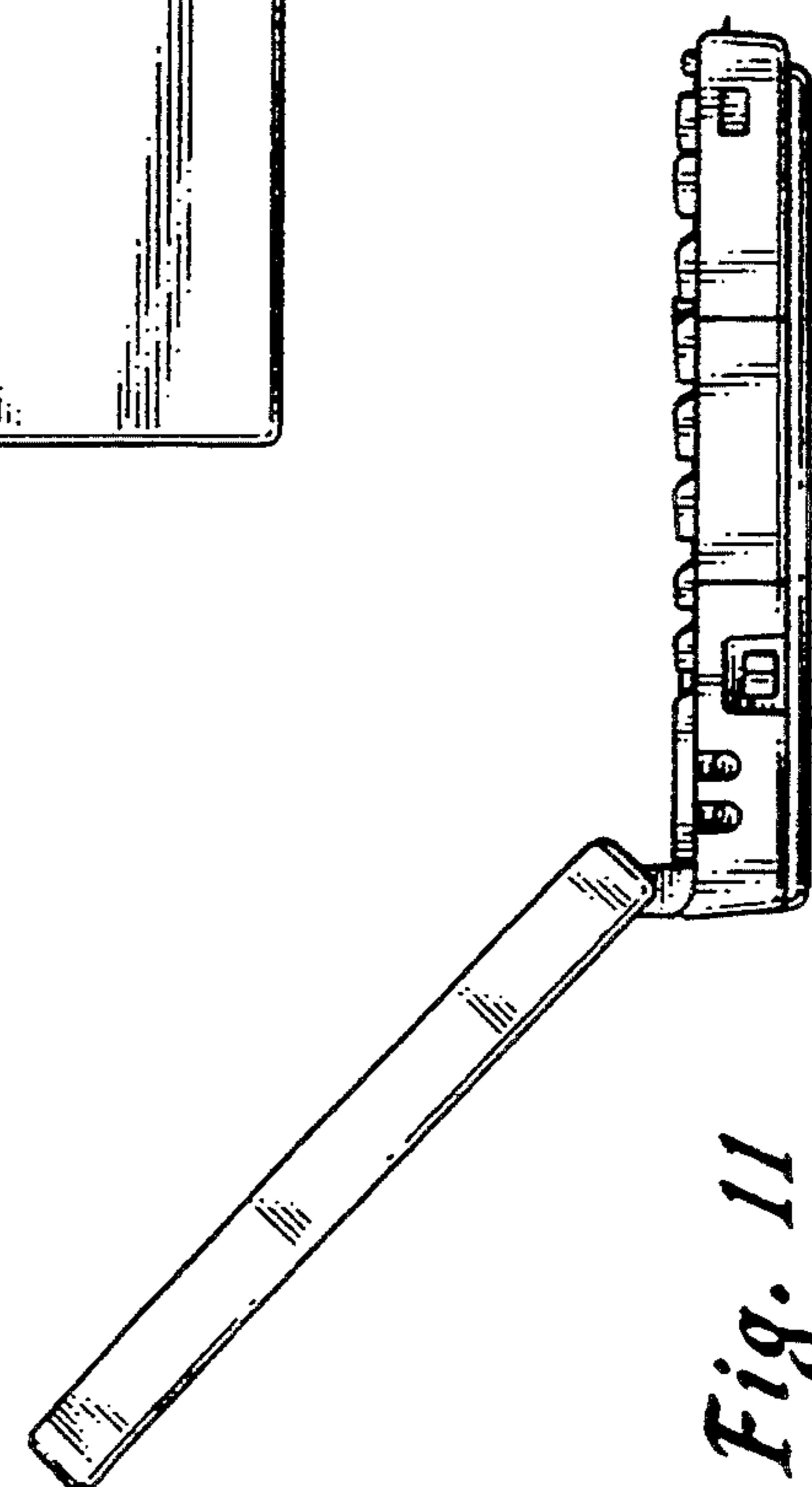


Fig. 11

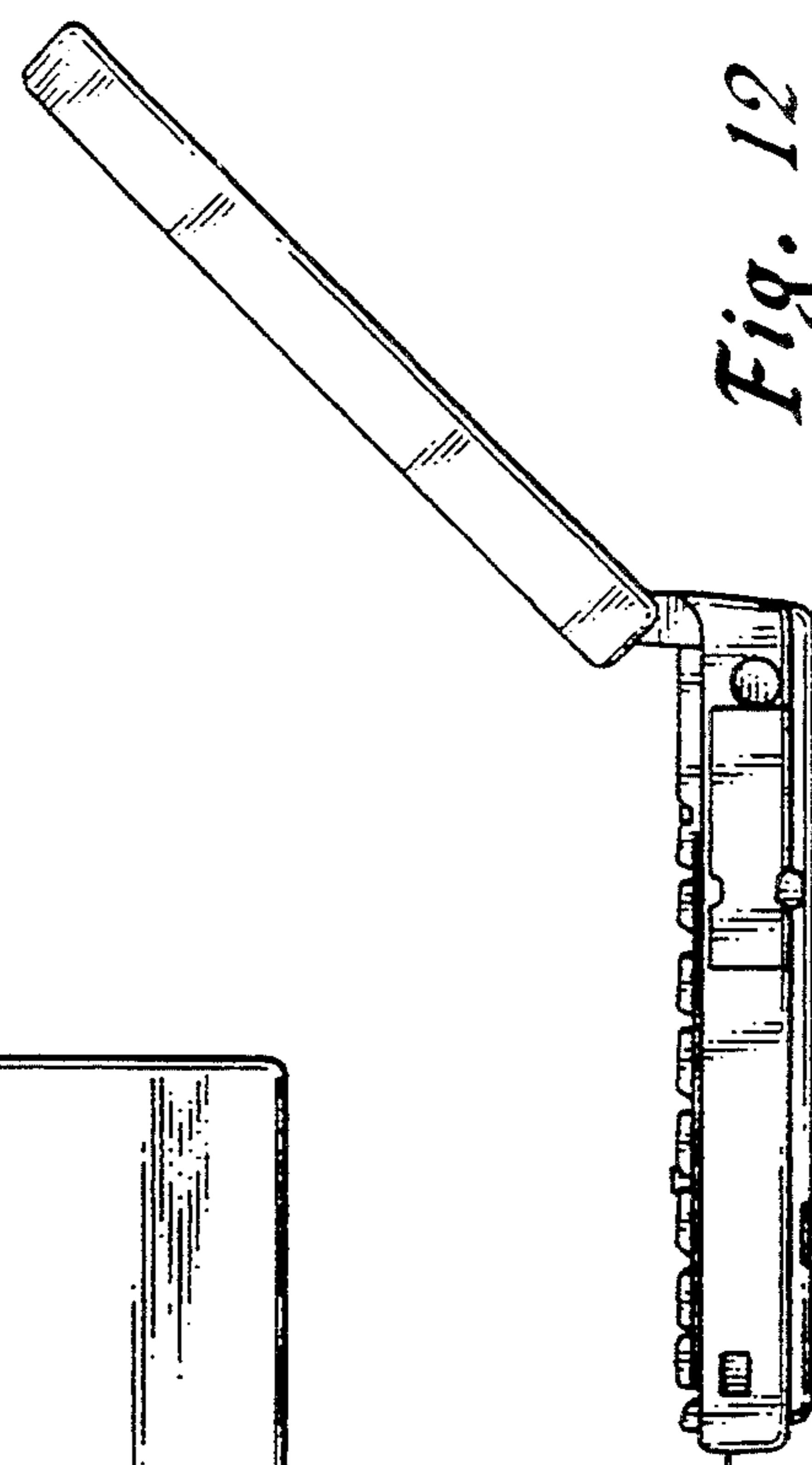


Fig. 12

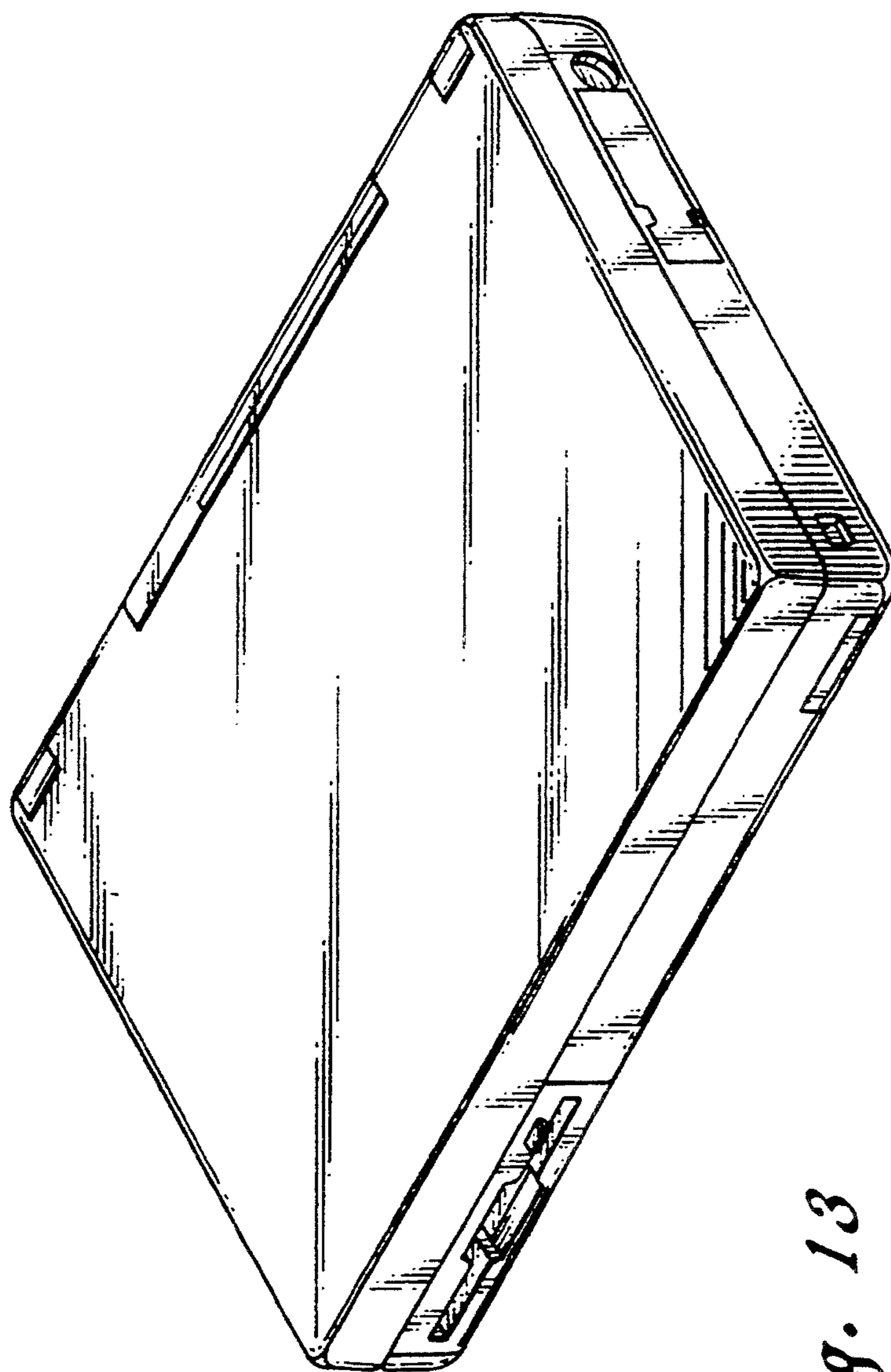


Fig. 13