



US00D361321S

United States Patent [19]

Berkowitz et al.

[11] Patent Number: **Des. 361,321**

[45] Date of Patent: **** Aug. 15, 1995**

[54] **WORKSTATION HOUSING**

[75] Inventors: **Fred J. Berkowitz**, Los Gatos;
Thomas D. Carroll; **Eric M. Monsef**,
both of San Jose; **Robert A. Musetti**,
Cupertino, all of Calif.

[73] Assignee: **HaL Computer Systems, Inc.**,
Campbell, Calif.

[**] Term: **14 Years**

[21] Appl. No.: **15,786**

[22] Filed: **Nov. 29, 1993**

[52] U.S. Cl. **D14/102**

[58] Field of Search D14/100, 102, 107-109;
D13/162, 184, 199; 312/194, 208.1, 223.2,
223.3; 360/97.01, 97.04, 98.01, 99.12; 361/600,
622, 724-728

[56] **References Cited**

U.S. PATENT DOCUMENTS

D. 289,397 4/1987 Nuttall et al. D14/102

D. 303,378 9/1989 Lentz D14/109
D. 344,932 3/1994 Berkowitz et al. D14/100
5,248,193 9/1993 Schlemmer D14/100 X

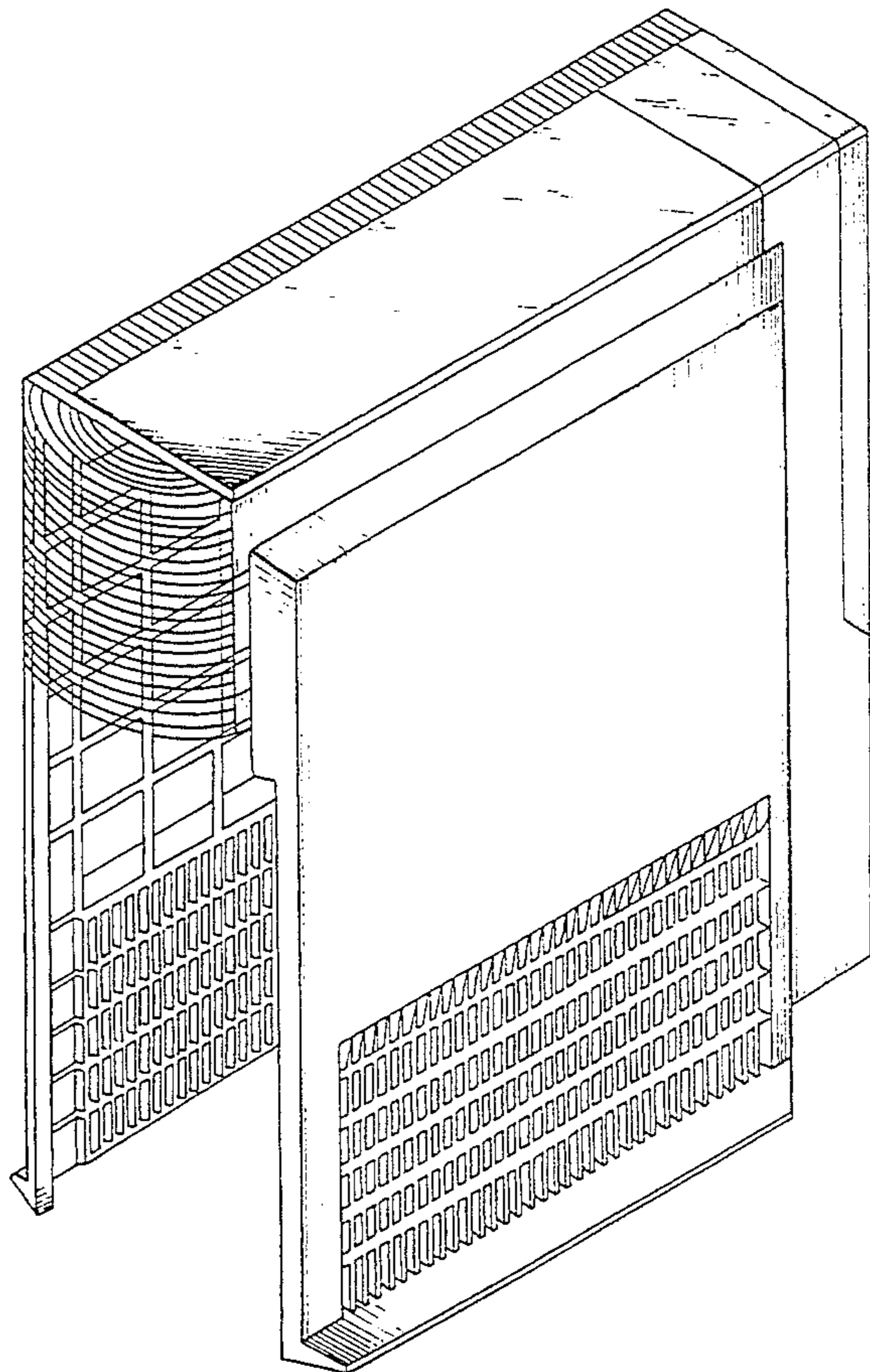
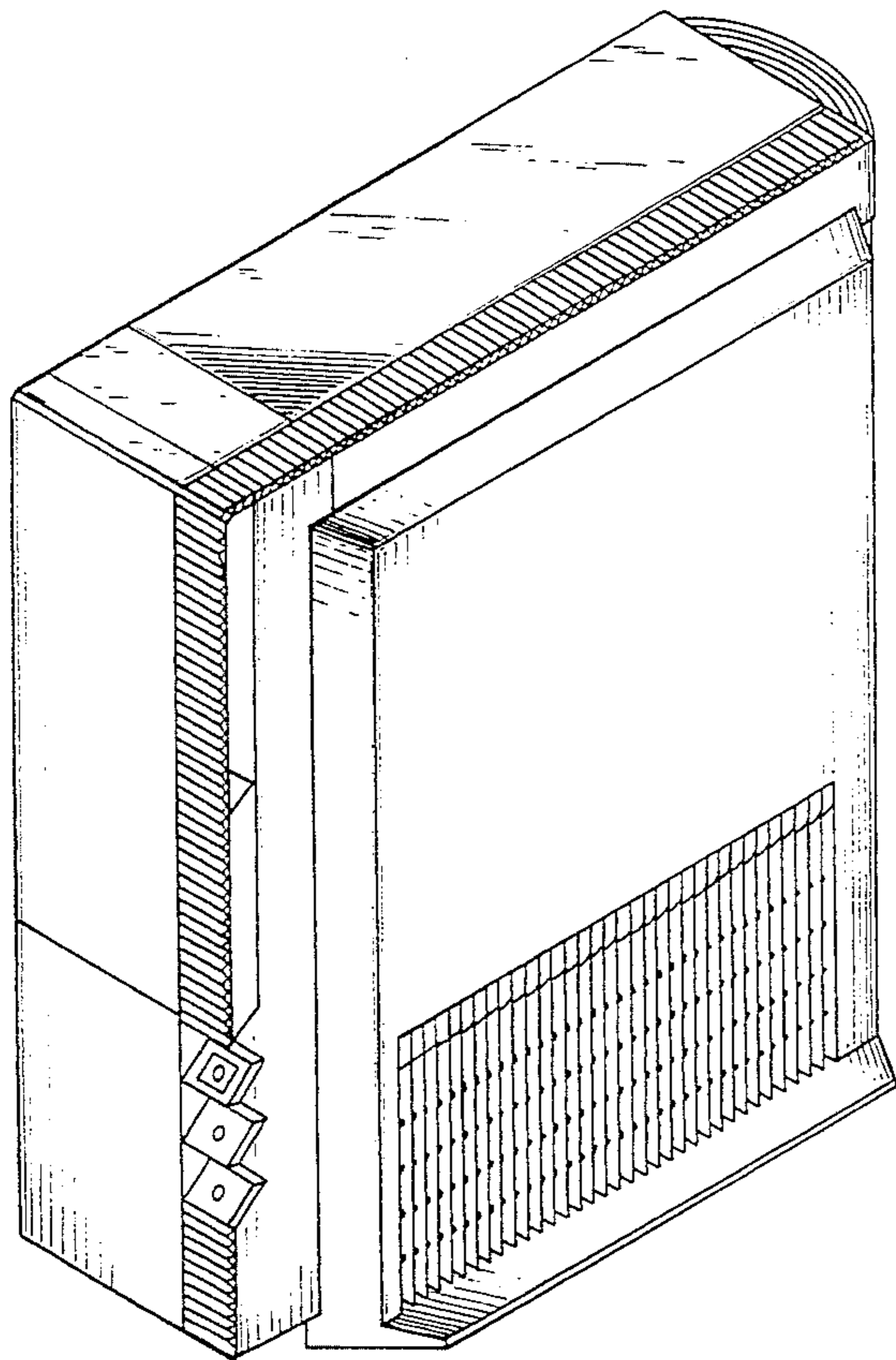
Primary Examiner—Freda S. Nunn
Attorney, Agent, or Firm—Albert C. Smith

[57] **CLAIM**

The ornamental design for a workstation housing, as shown and described.

DESCRIPTION

FIG. 1 is a front perspective view of the workstation housing;
FIG. 2 is a rear perspective view of the workstation housing;
FIG. 3 is a top plan view of the workstation housing;
FIG. 4 is a front plan view of the workstation housing;
FIG. 5 is a rear plan view of the workstation housing;
FIG. 6 is a side plan view of the workstation housing;
and,
FIG. 7 is a bottom plan view of the workstation housing.
FIGS. 1, 2, and 6 are drawn on a reduced scale.



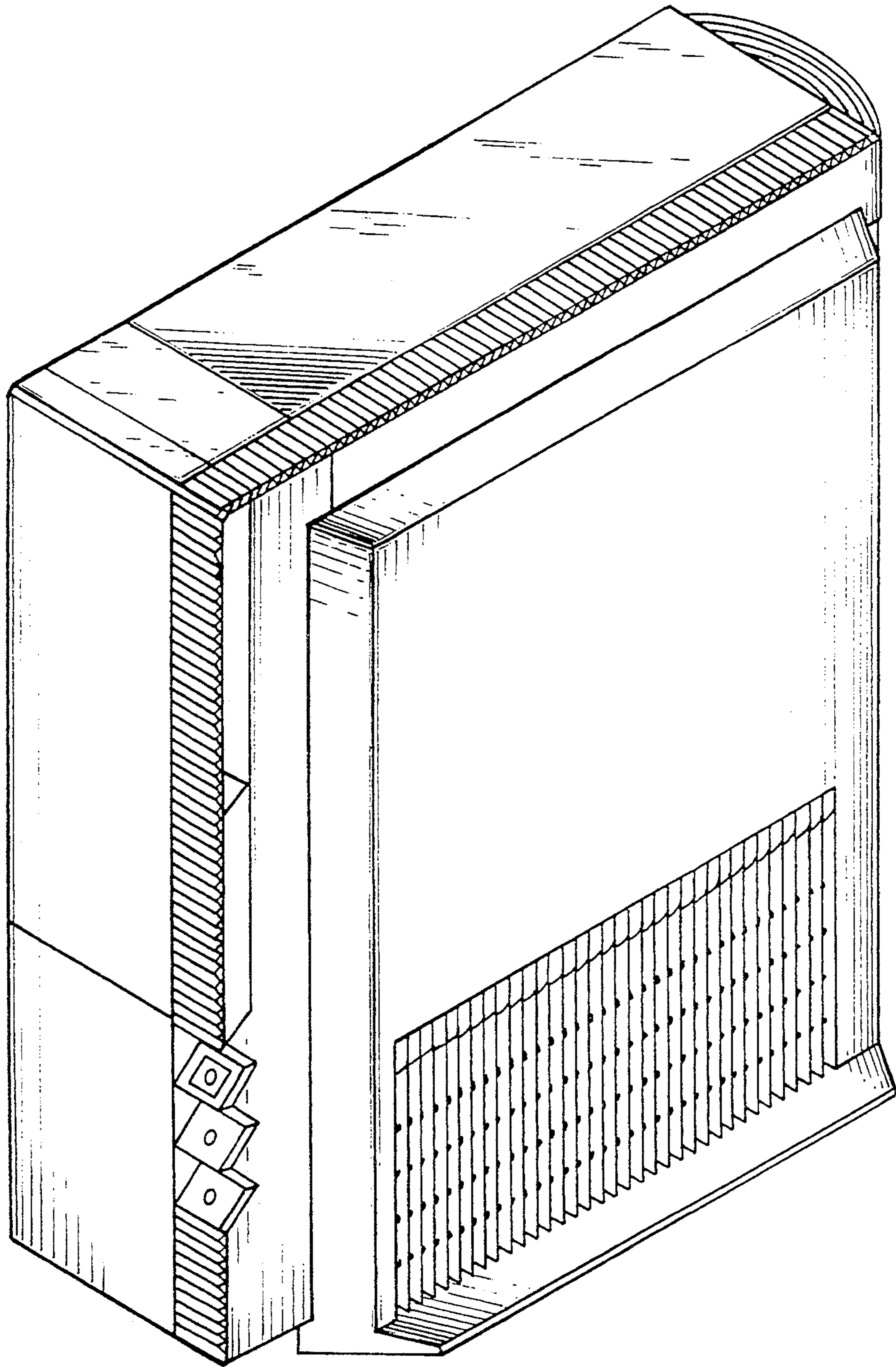


FIGURE 1

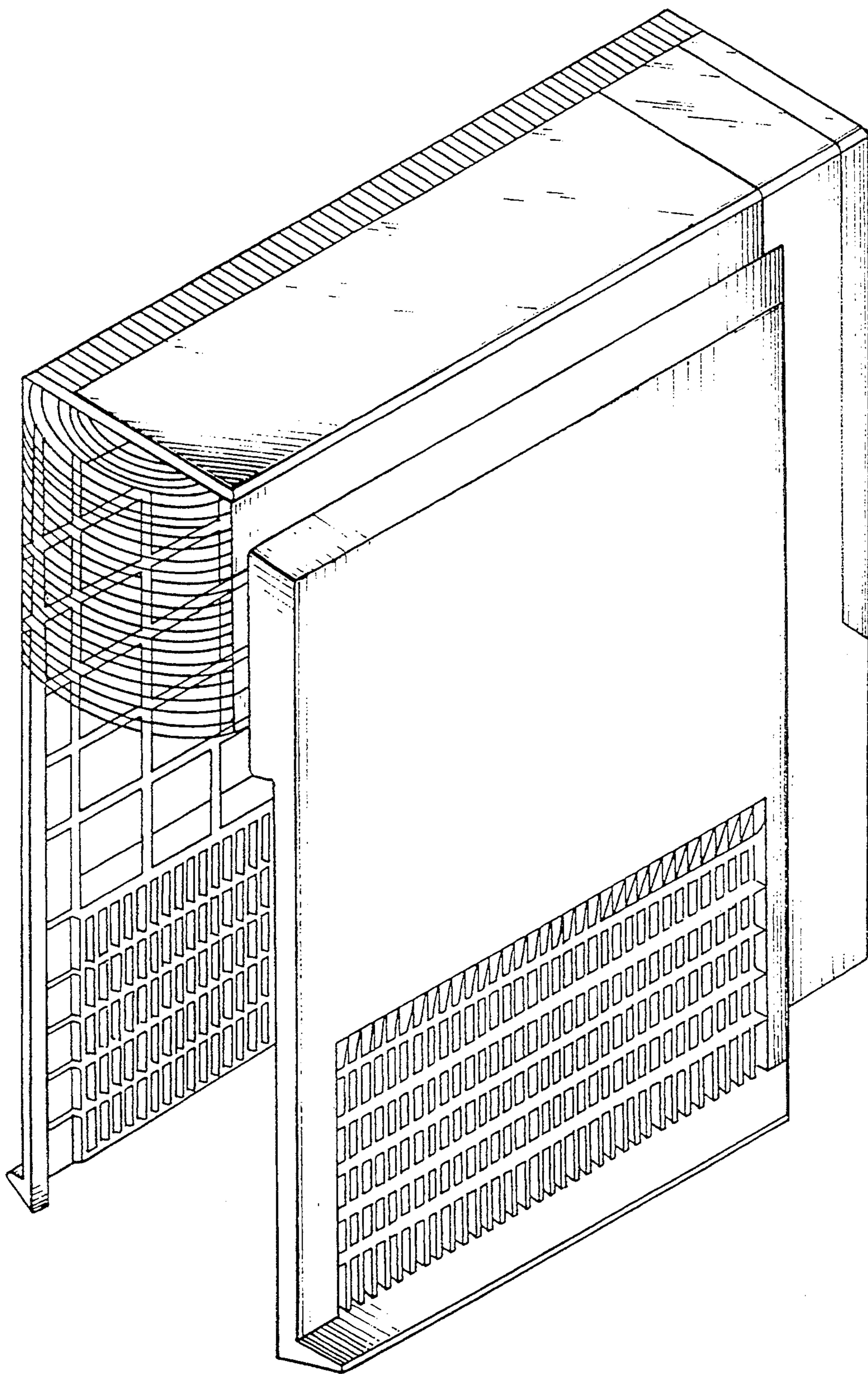


FIGURE 2

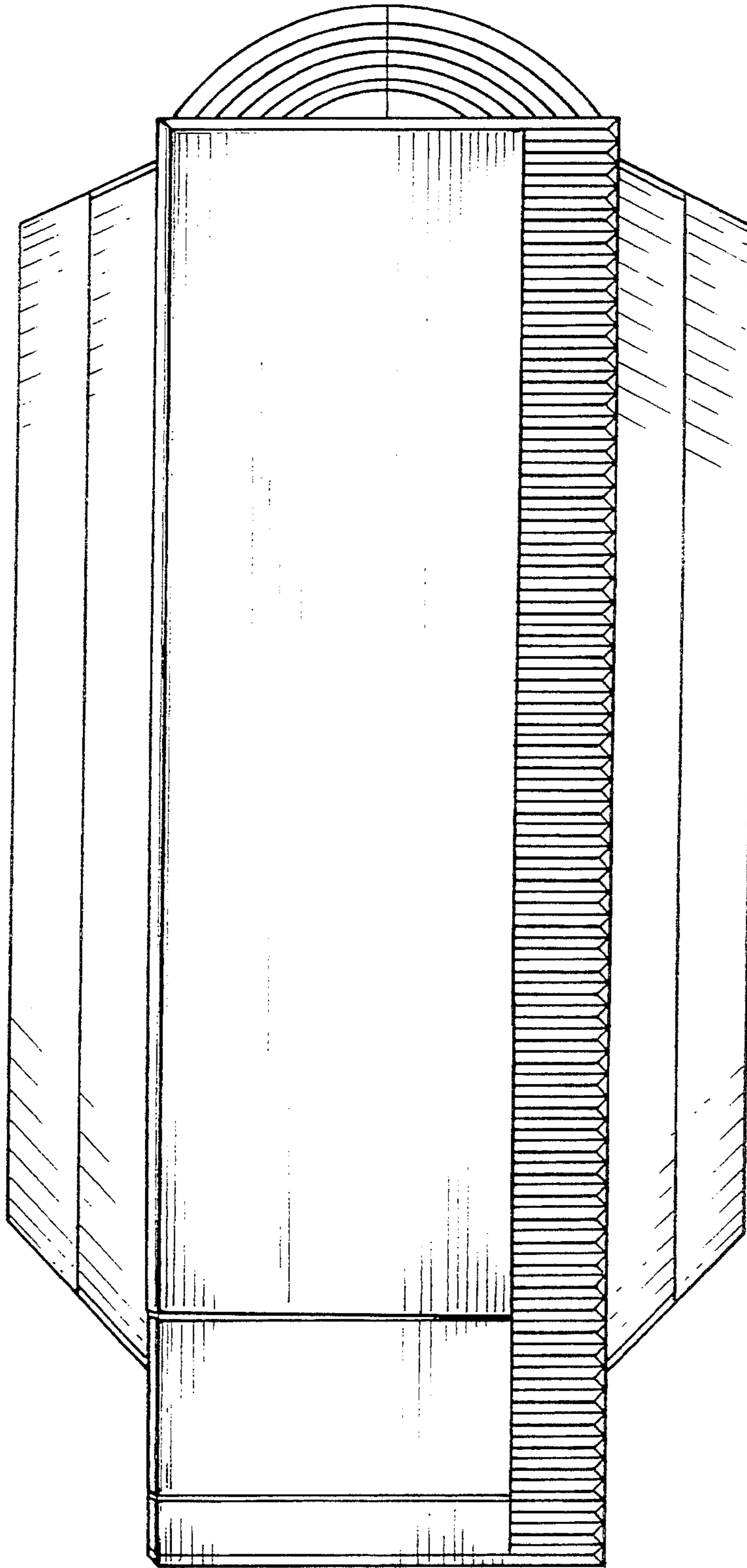


FIGURE 3

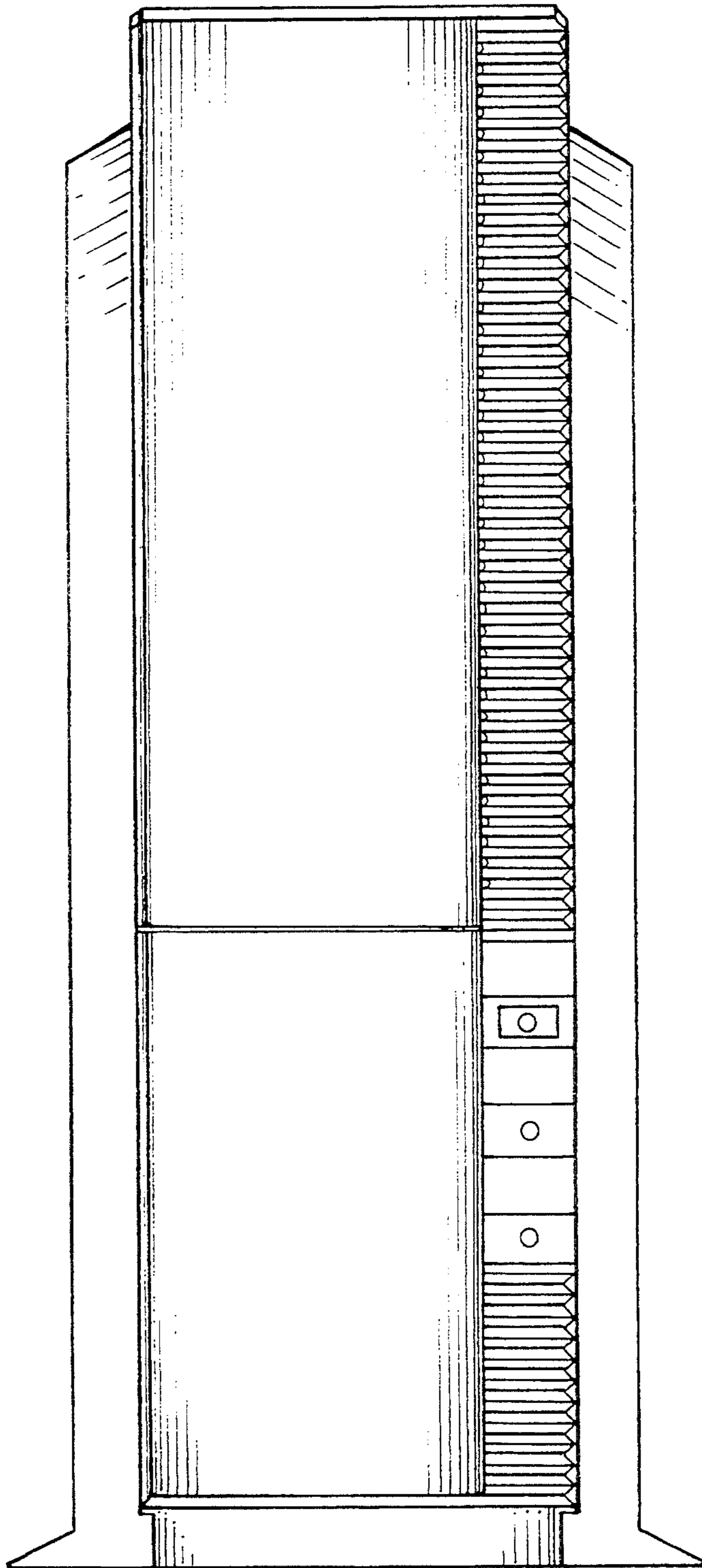


FIGURE 4

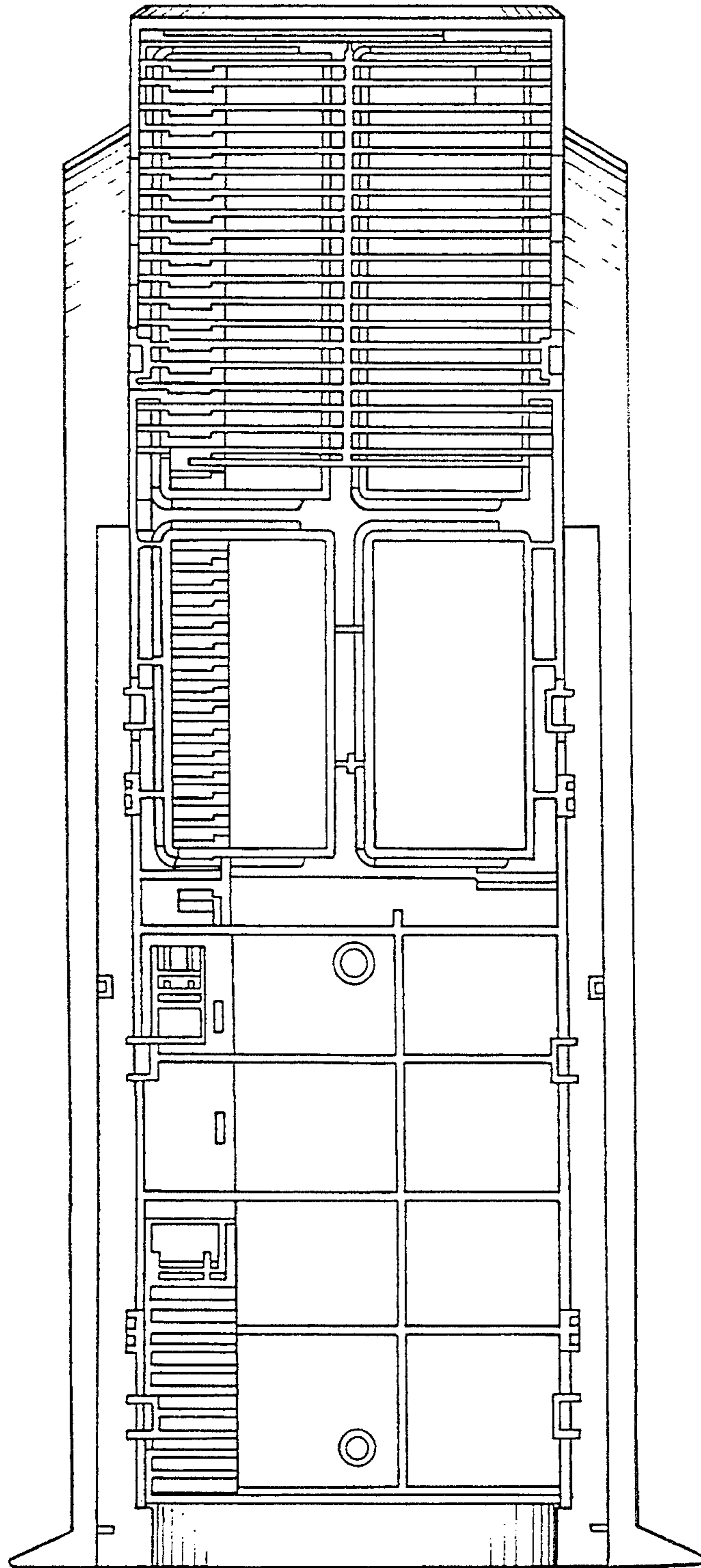


FIGURE 5

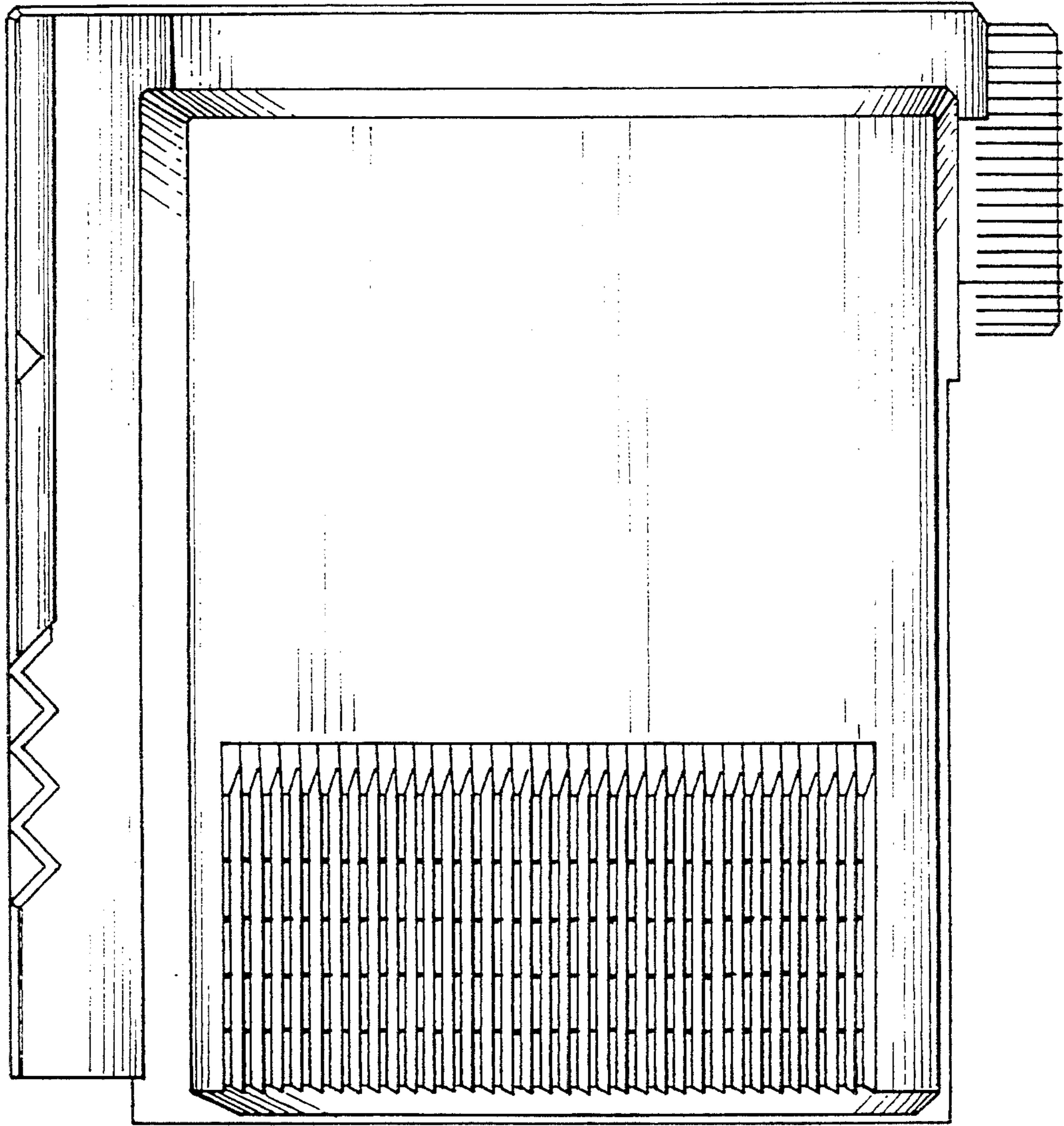


FIGURE 6

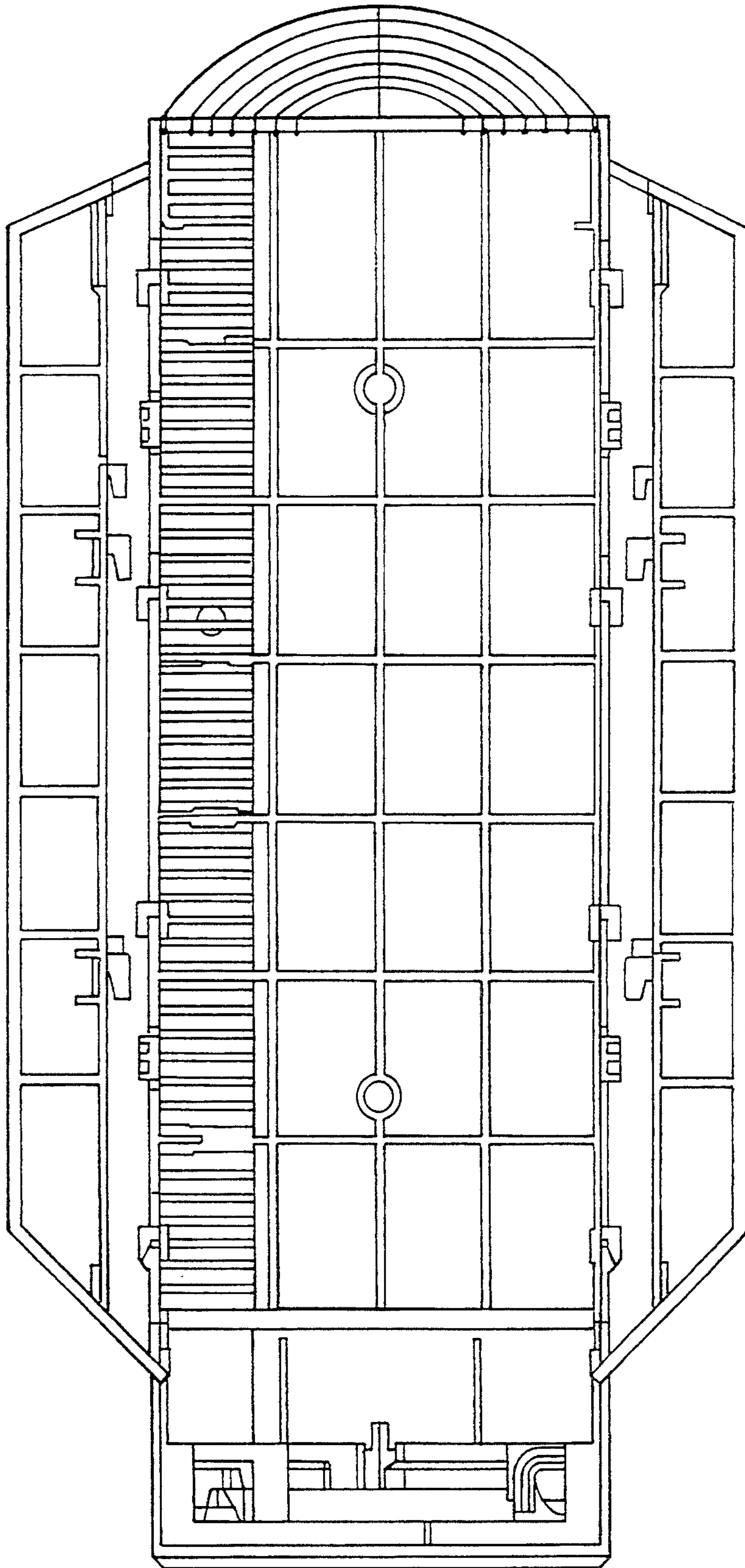


FIGURE 7