



US00D361316S

# United States Patent [19]

Orth, Sr. et al.

[11] Patent Number: **Des. 361,316**

[45] Date of Patent: **\*\* Aug. 15, 1995**

## [54] VEHICULAR GRILL GUARD

[75] Inventors: **Robert J. Orth, Sr., Richardson; Jerry R. Miller, Clifton; Thomas G. Cleveland, Morgan, all of Tex.**

[73] Assignee: **Go Industries, Inc., Richardson, Tex.**

[\*\*] Term: **14 Years**

[21] Appl. No.: **23,142**

[22] Filed: **May 19, 1994**

[52] U.S. Cl. .... **D12/171**

[58] Field of Search ..... **D12/171, 167; 293/38, 293/115, 144**

## [56] References Cited

### U.S. PATENT DOCUMENTS

D. 280,398	9/1985	Milton	.....	D12/171
D. 300,420	3/1989	Trinnaman	.....	D12/171
D. 333,457	2/1993	LaFoe et al.	.....	D12/171
2,314,600	3/1943	Reyburn	.....	293/144
3,431,005	3/1969	Preifert	.....	293/144
3,438,667	4/1969	Davis	.....	293/144
4,322,106	3/1982	Nespor	.....	D12/171
4,469,360	9/1984	Drury	.....	293/144
4,671,552	6/1987	Anderson	.....	293/144
5,215,343	6/1993	Fortune	.....	293/115
5,277,465	1/1994	Weir	.....	293/144

## OTHER PUBLICATIONS

Popular Science, Feb. 1980, p. 121, the Mini-4WD winch grill.

Master Guard brochure, ©Nov. 29, 1977, the front cover, top of page, the truck grill guard.

*Primary Examiner*—A. Hugo Word

*Assistant Examiner*—M. Brown

*Attorney, Agent, or Firm*—Akin, Gump, Strauss, Hauer & Feld

## [57] CLAIM

The ornamental design for a vehicular grill guard, as shown and described.

## DESCRIPTION

FIG. 1 is a perspective view of the vehicular grill guard of our new design;

FIG. 2 is a top plan view of the vehicular grill guard of our new design;

FIG. 3 is a front elevational view thereof;

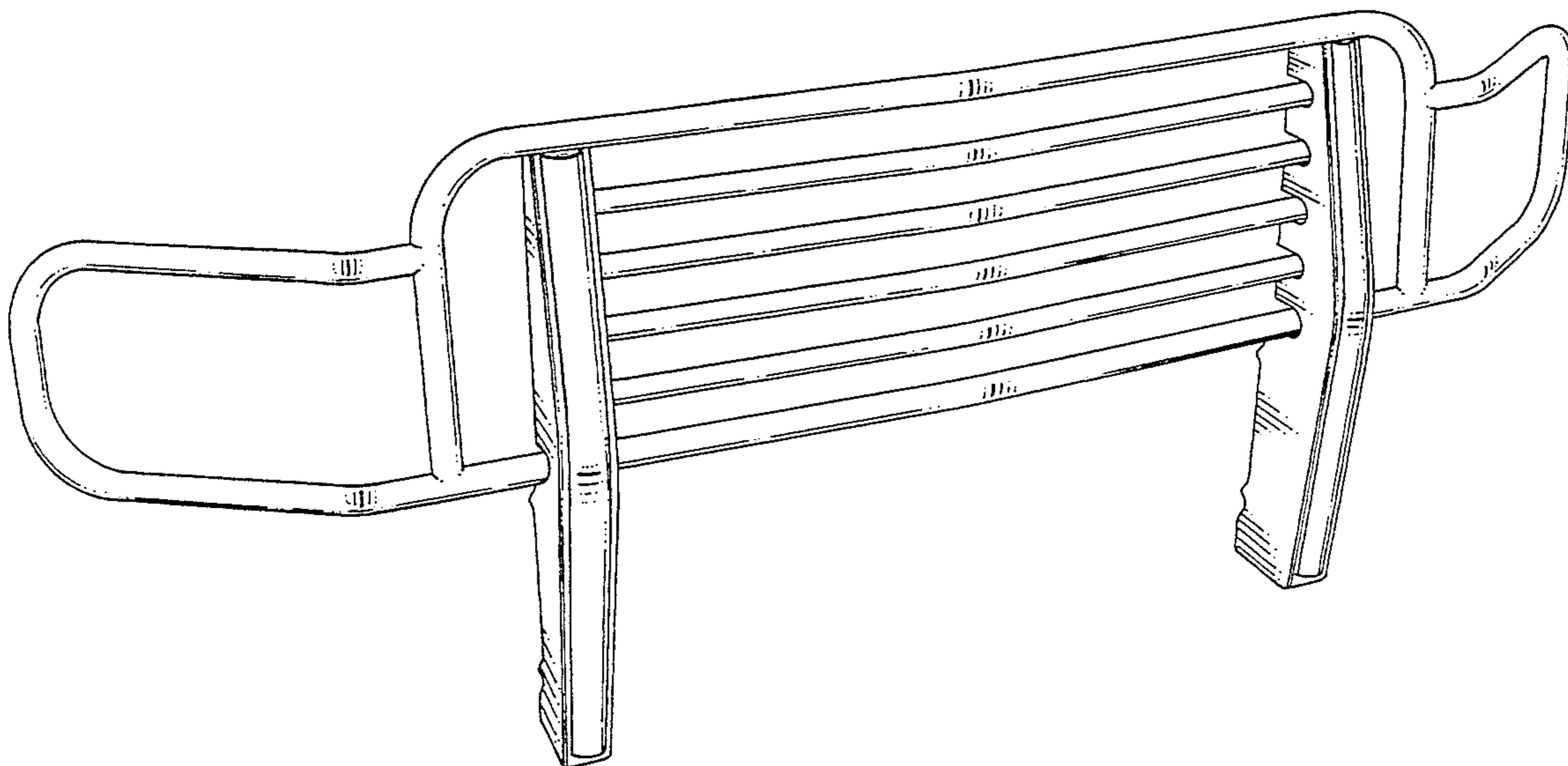
FIG. 4 is a rear elevational view thereof;

FIG. 5 is a bottom plan view thereof;

FIG. 6 is a side elevational view thereof, taken along the lines 6—6 of FIG. 3;

FIG. 7 is a side elevational view thereof, taken along the lines 7—7 of FIG. 3; and,

FIG. 8 is a perspective view of the vehicular grill guard of our new design, it being understood that the broken lines are for illustrative purposes only to illustrate the environment in which the vehicular grill guard will be used and that such broken lines form no part of the claimed design.



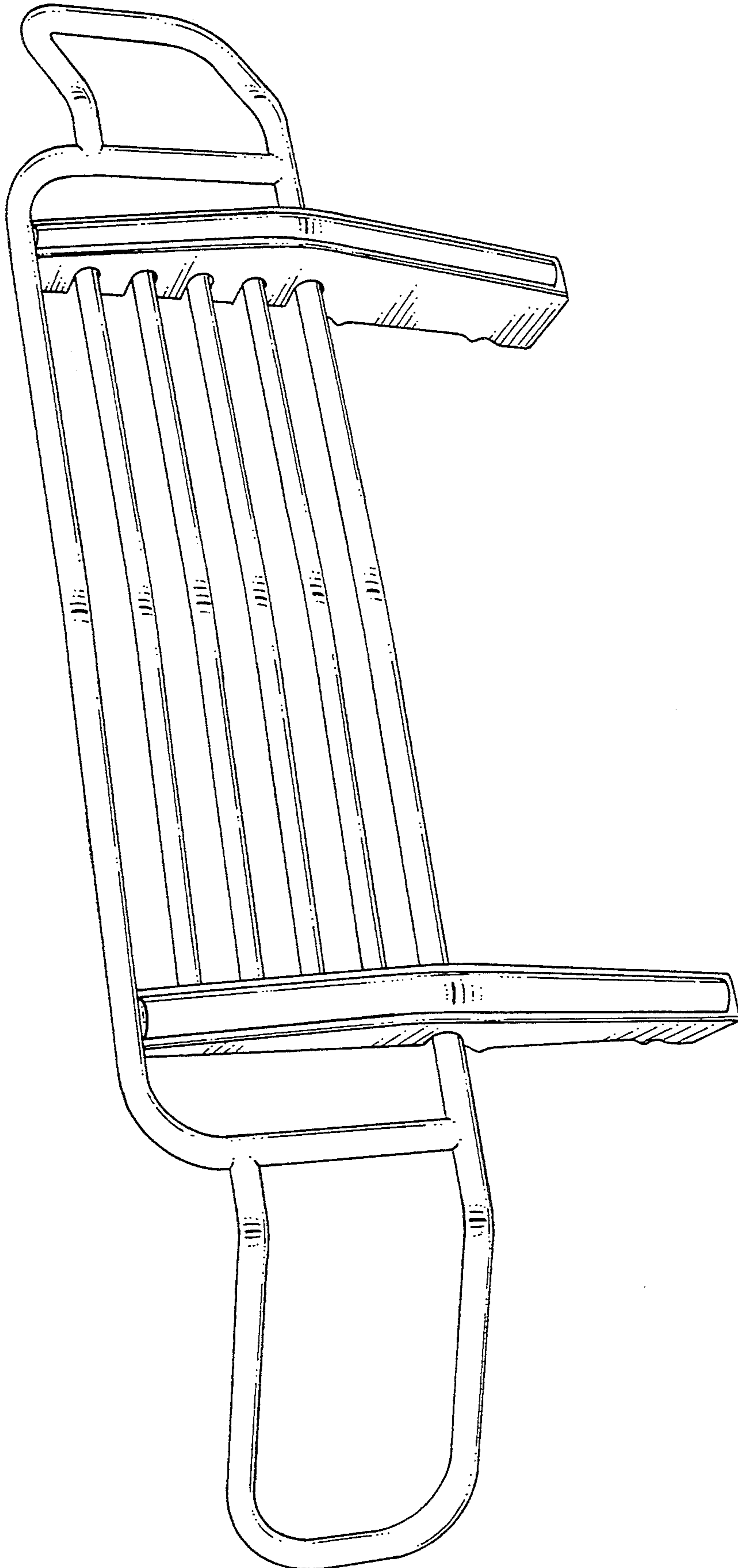


FIG. 1

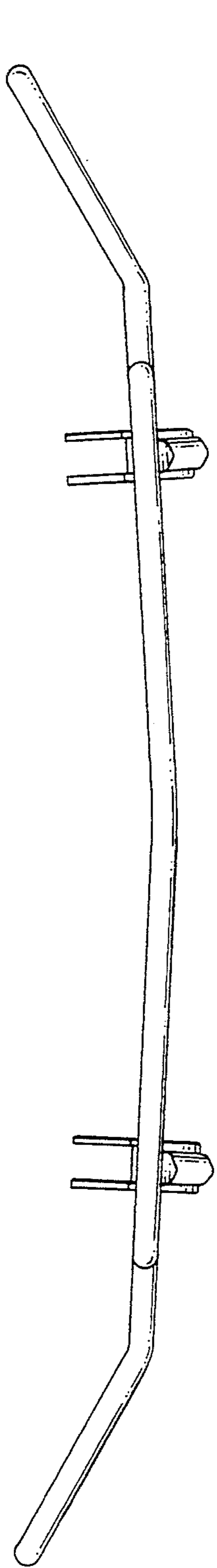


FIG. 2

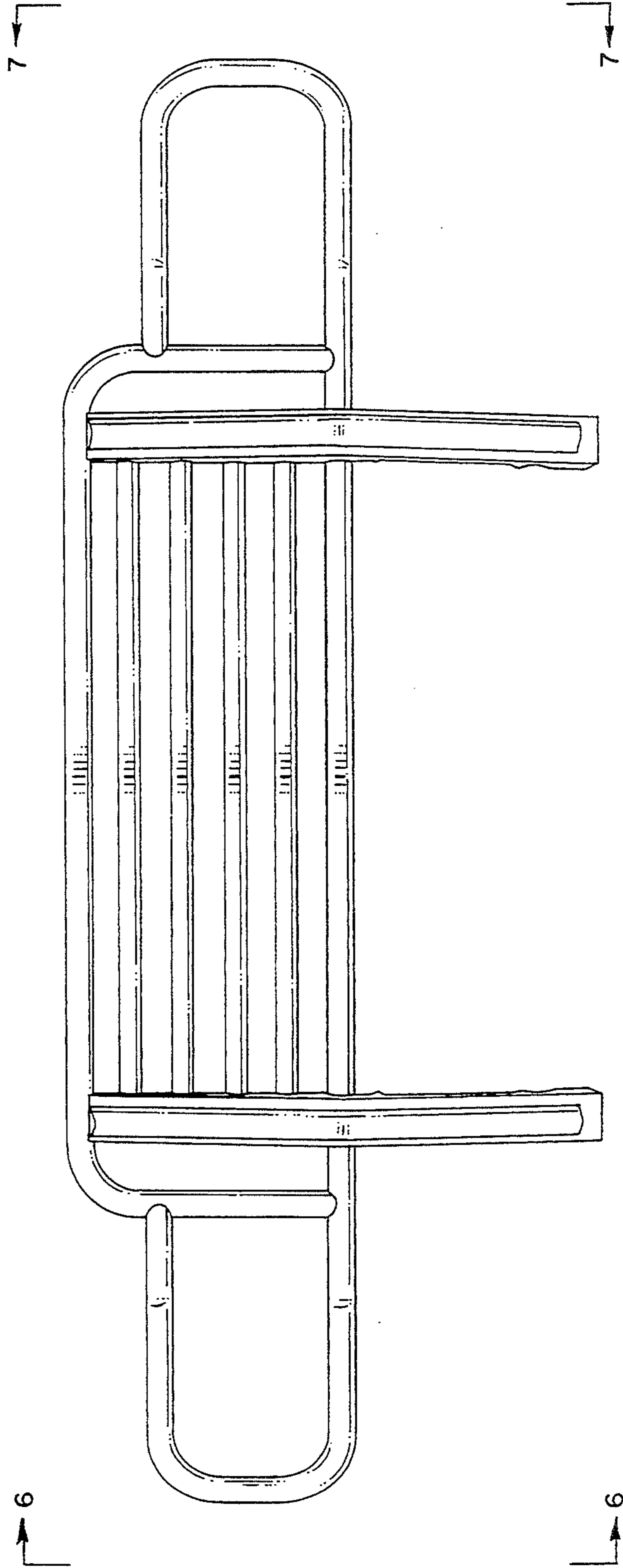


FIG. 3

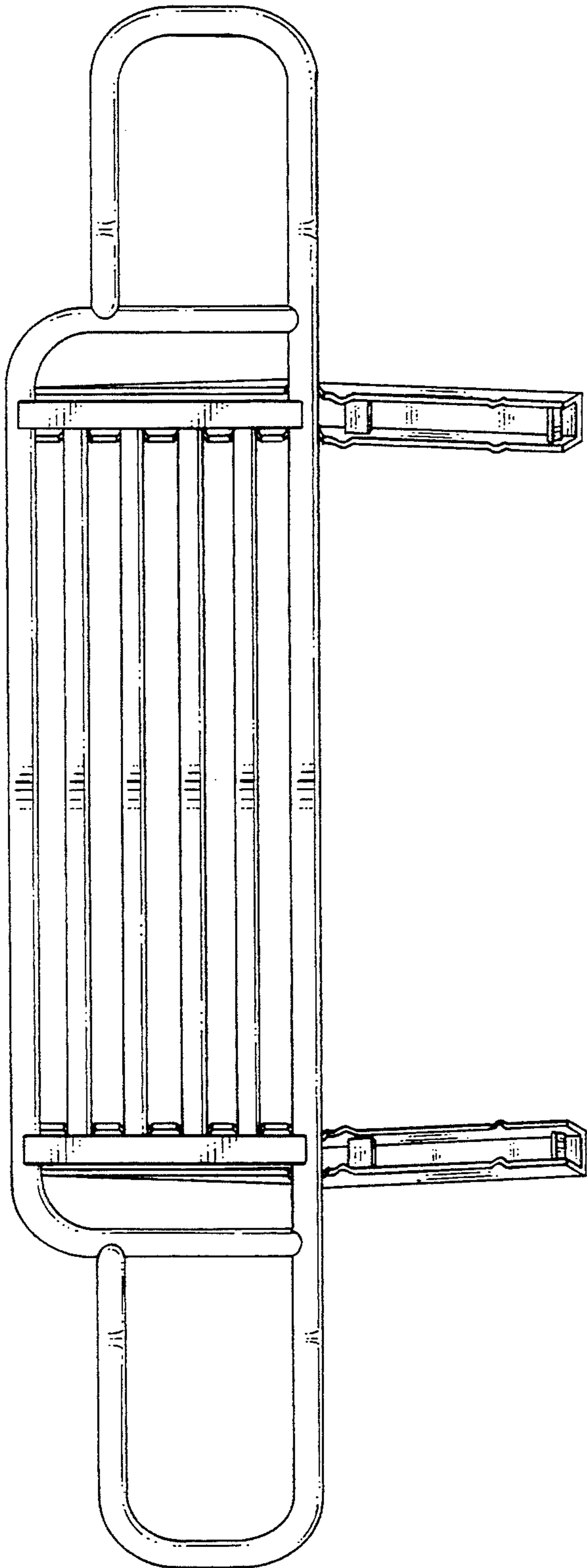


FIG. 4

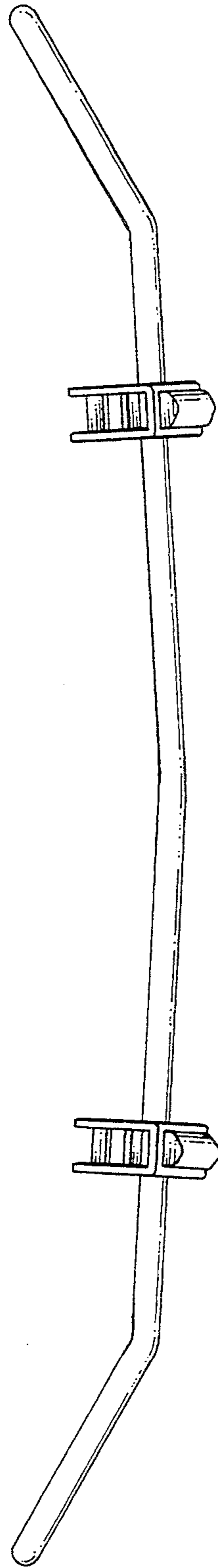


FIG. 5

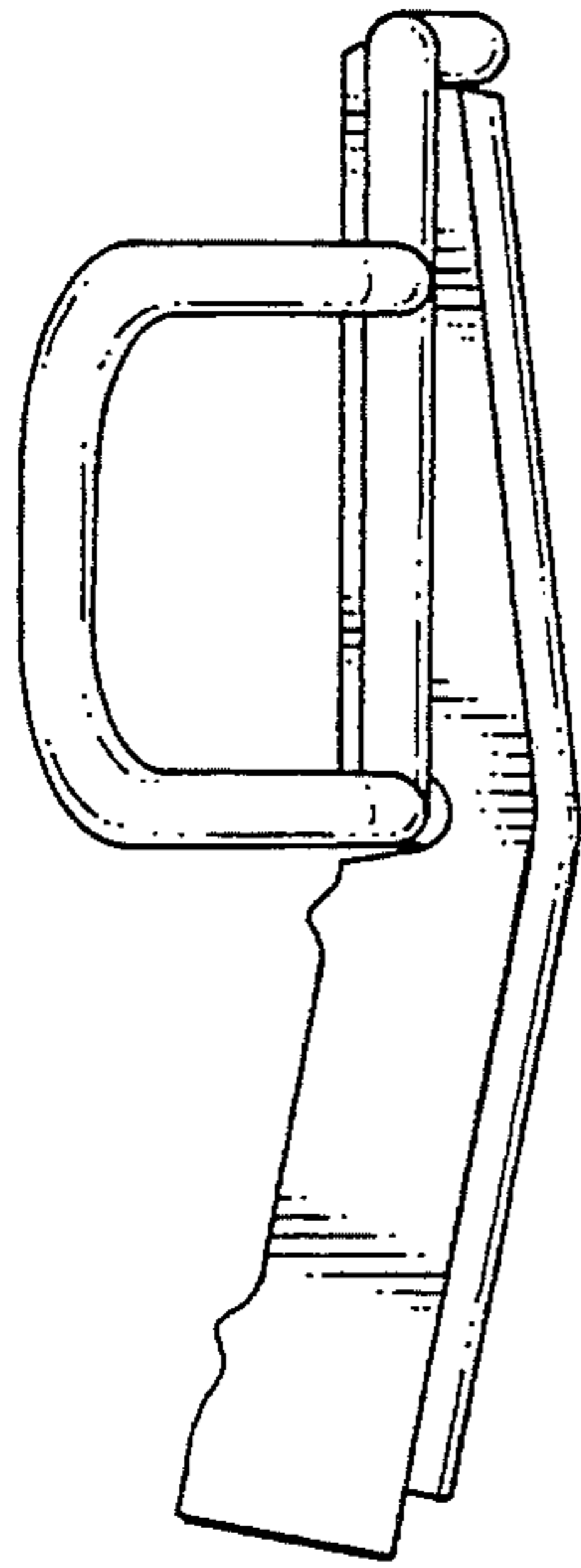


FIG. 6

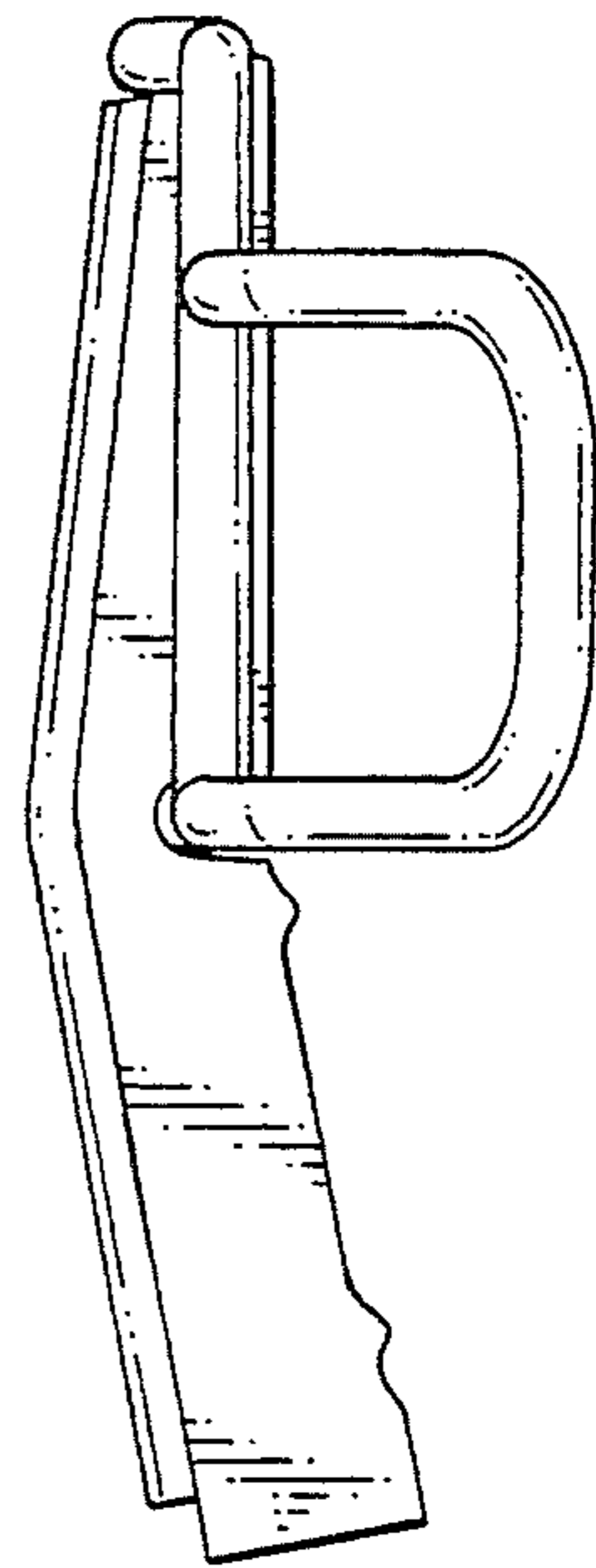


FIG. 7

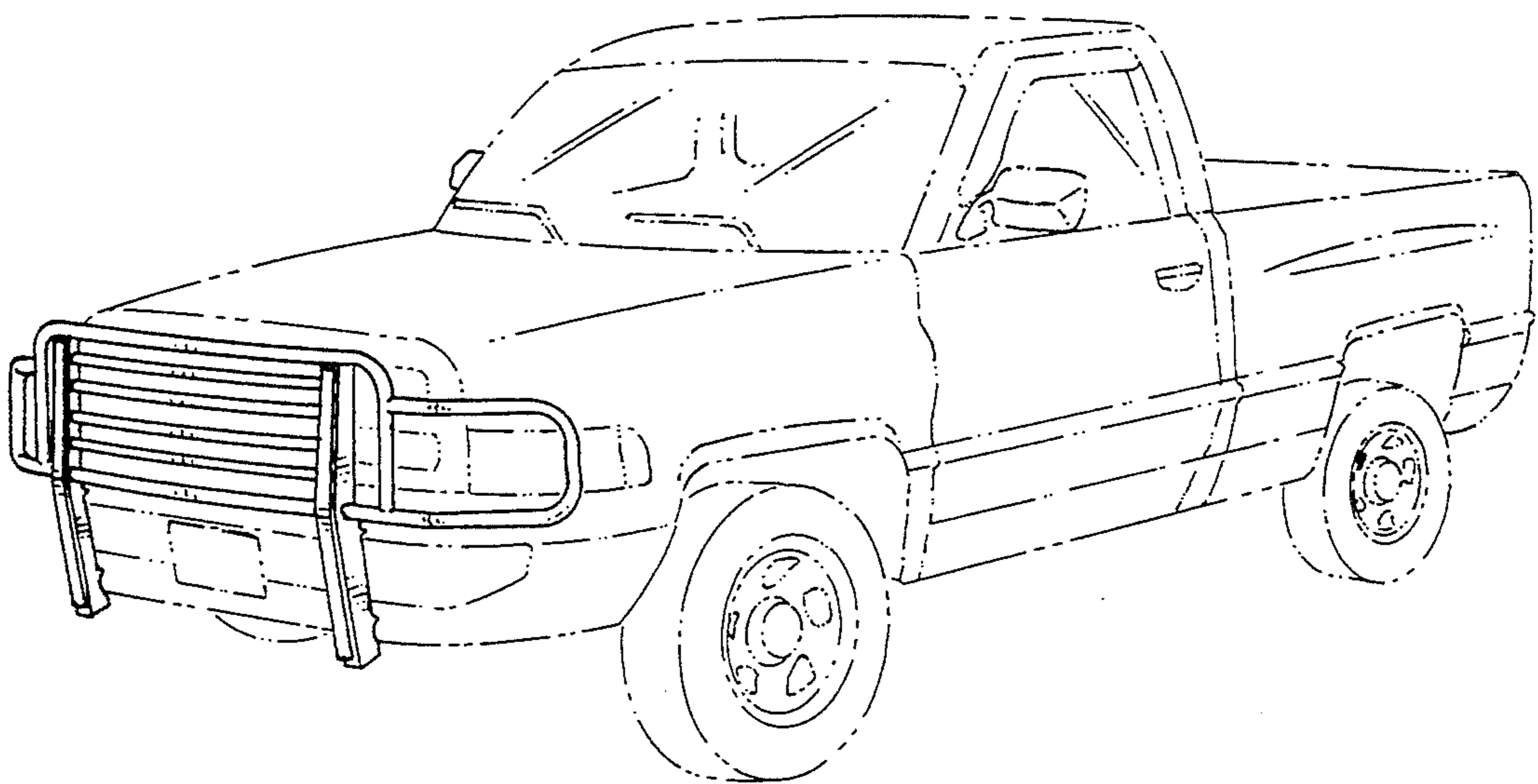


FIG. 8